



US00D968382S

(12) **United States Design Patent** (10) **Patent No.:** **US D968,382 S**  
**Brown** (45) **Date of Patent:** **\*\* Nov. 1, 2022**

(54) **CASE FOR AN ELECTRONIC COMMUNICATION DEVICE**

(71) Applicant: **Global Cellular, Inc.**

(72) Inventor: **Joseph Brown**, Alpharetta, GA (US)

(73) Assignee: **Global Cellular, Inc.**, Alpharetta, GA (US)

(\*\*) Term: **15 Years**

(21) Appl. No.: **29/763,091**

(22) Filed: **Dec. 21, 2020**

**Related U.S. Application Data**

(63) Continuation of application No. 29/679,949, filed on Feb. 12, 2019, now Pat. No. Des. 907,621.

(51) **LOC (13) Cl.** ..... **14-03**

(52) **U.S. Cl.**  
USPC ..... **D14/250**

(58) **Field of Classification Search**  
USPC ..... D14/143, 199, 201, 202, 217, 250, 251, D14/253, 440, 447, 316  
CPC ..... H04M 1/0283; H04M 1/0202; A45C 1/06; A45C 2011/002; A45C 11/00; A45F 2005/028; A45F 2200/0525  
See application file for complete search history.

(56) **References Cited**

**U.S. PATENT DOCUMENTS**

D720,211 S	12/2014	Brown et al.	
D787,494 S *	5/2017	Kim	D14/250
D787,496 S *	5/2017	Kim	D14/250
D798,286 S	9/2017	Roberts et al.	
D808,374 S	1/2018	Lee et al.	
D839,252 S	1/2019	Lim et al.	
D839,256 S	1/2019	Kim et al.	
D839,860 S	2/2019	Kim	
D842,293 S *	3/2019	Ahn	D14/250

D852,182 S *	6/2019	Hyun	D14/250
D852,184 S *	6/2019	Hyun	D14/250
D855,610 S *	8/2019	Wei	D14/250
D856,995 S *	8/2019	Hyun	D14/250
D856,996 S	8/2019	Kim	

(Continued)

**OTHER PUBLICATIONS**

Top 5 Best iPhone X Clear Cases, Available online at: [https://www.youtube.com/watch?v=o6GsooAglS\\_Y](https://www.youtube.com/watch?v=o6GsooAglS_Y), 2017.

(Continued)

*Primary Examiner* — Mojtaba Tehrani

(74) *Attorney, Agent, or Firm* — Kilpatrick Townsend & Stockton LLP

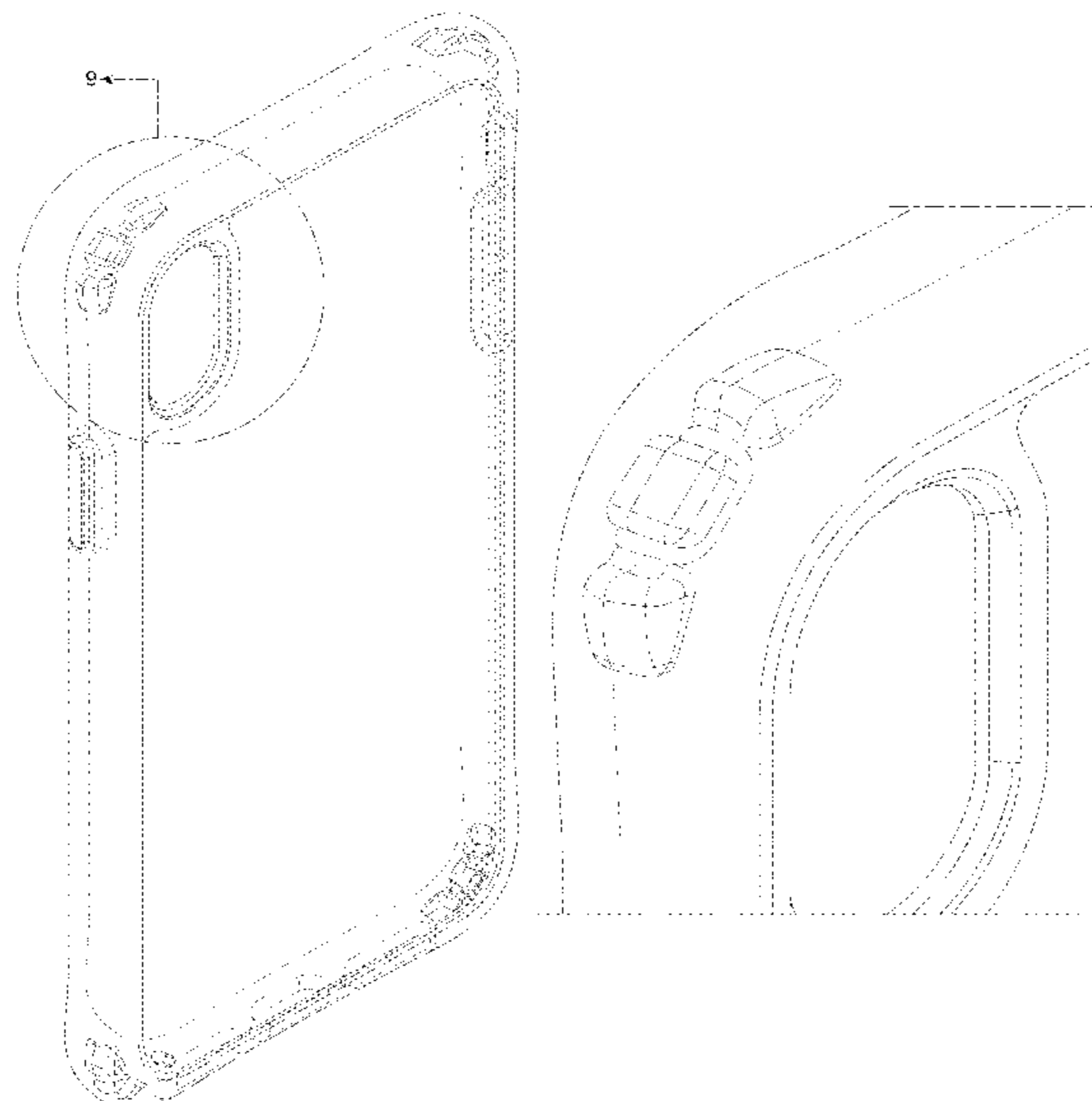
(57) **CLAIM**

The ornamental design for a case for an electronic communication device, as shown and described.

**DESCRIPTION**

FIG. 1 is a rear isometric view of a case for an electronic communication device.  
FIG. 2 is a front isometric view of the case of FIG. 1.  
FIG. 3 is a rear view of the case of FIG. 1.  
FIG. 4 is a front view of the case of FIG. 1.  
FIG. 5 is a right side view of the case of FIG. 1.  
FIG. 6 is a left side view of the case of FIG. 1.  
FIG. 7 is a top view of the case of FIG. 1.  
FIG. 8 is a bottom view of the case of FIG. 1.  
FIG. 9 is an enlarged portion of FIG. 1, as indicated by the dash-dot-dash circle in FIG. 1; and,  
FIG. 10 is an enlarged portion of FIG. 2, as indicated by the dash-dot-dash circle in FIG. 2.  
The dash-dot broken lines disclose unclaimed boundaries of the isolated enlarged views; the evenly broken lines depict unclaimed portions of the case only. The broken lines form no part of the claimed design.

**1 Claim, 10 Drawing Sheets**



(56)

**References Cited**

U.S. PATENT DOCUMENTS

D860,182 S \* 9/2019 Hyun ..... D14/250  
D860,183 S \* 9/2019 Hyun ..... D14/250  
D860,184 S \* 9/2019 Kim ..... D14/250  
D860,185 S 9/2019 Kim  
D860,983 S \* 9/2019 Kim ..... D14/250  
D861,667 S 10/2019 Mao  
D868,766 S 12/2019 Kim  
D874,451 S 2/2020 Yu  
D877,132 S 3/2020 Tang  
D877,729 S 3/2020 Lee  
D878,345 S \* 3/2020 Kim ..... D14/250  
D881,866 S 4/2020 Kim  
D903,646 S \* 12/2020 Huang ..... D14/250  
D907,621 S \* 1/2021 Brown ..... D14/250  
D925,513 S \* 7/2021 Hyun ..... D14/250  
D949,138 S \* 4/2022 Ng ..... D14/250  
2020/0076937 A1 3/2020 Ackerman

OTHER PUBLICATIONS

U.S. Appl. No. 29/679,949, Ex Parte Quayle Action, Jun. 26, 2020,  
6 pages.

U.S. Appl. No. 29/679,949, Notice of Allowance, dated Sep. 10,  
2020, 7 pages.

\* cited by examiner

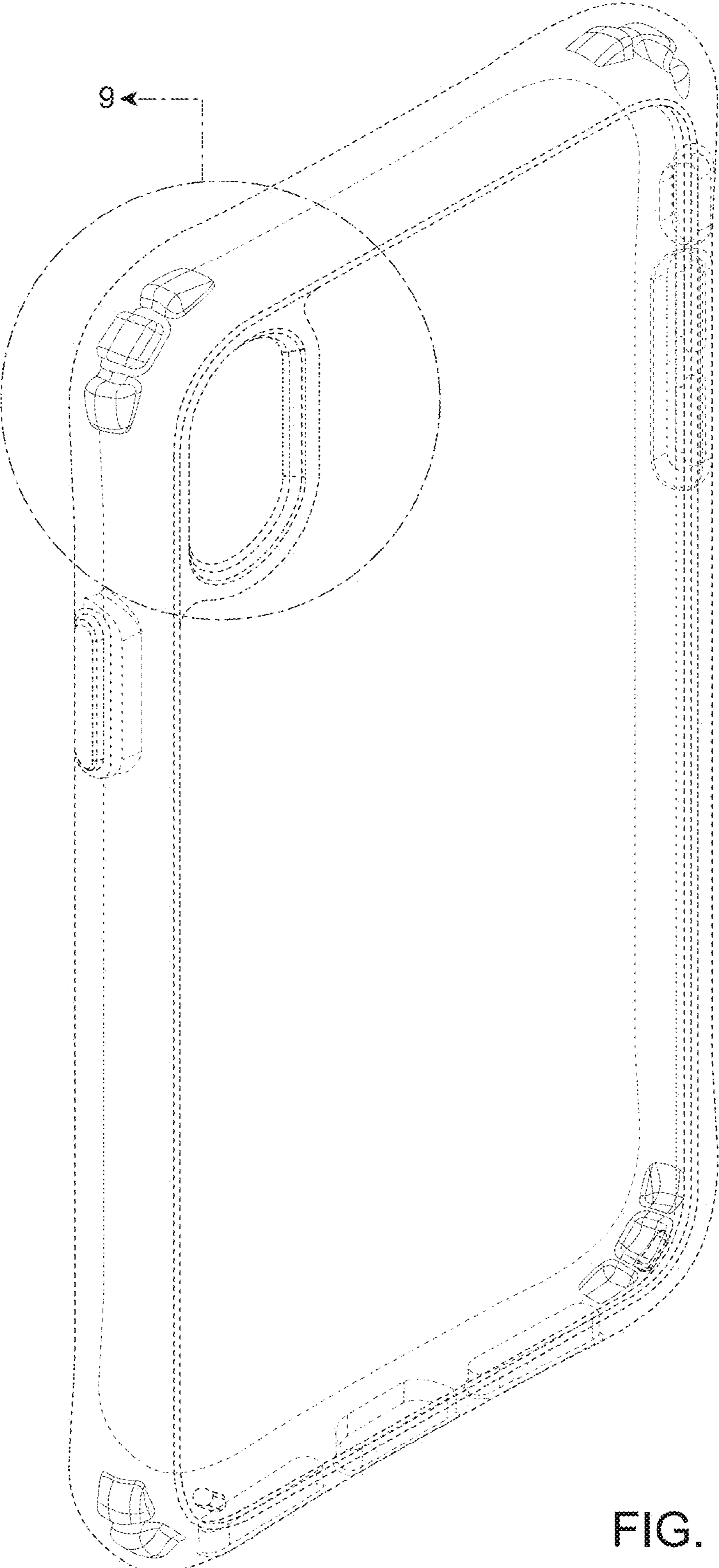


FIG. 1

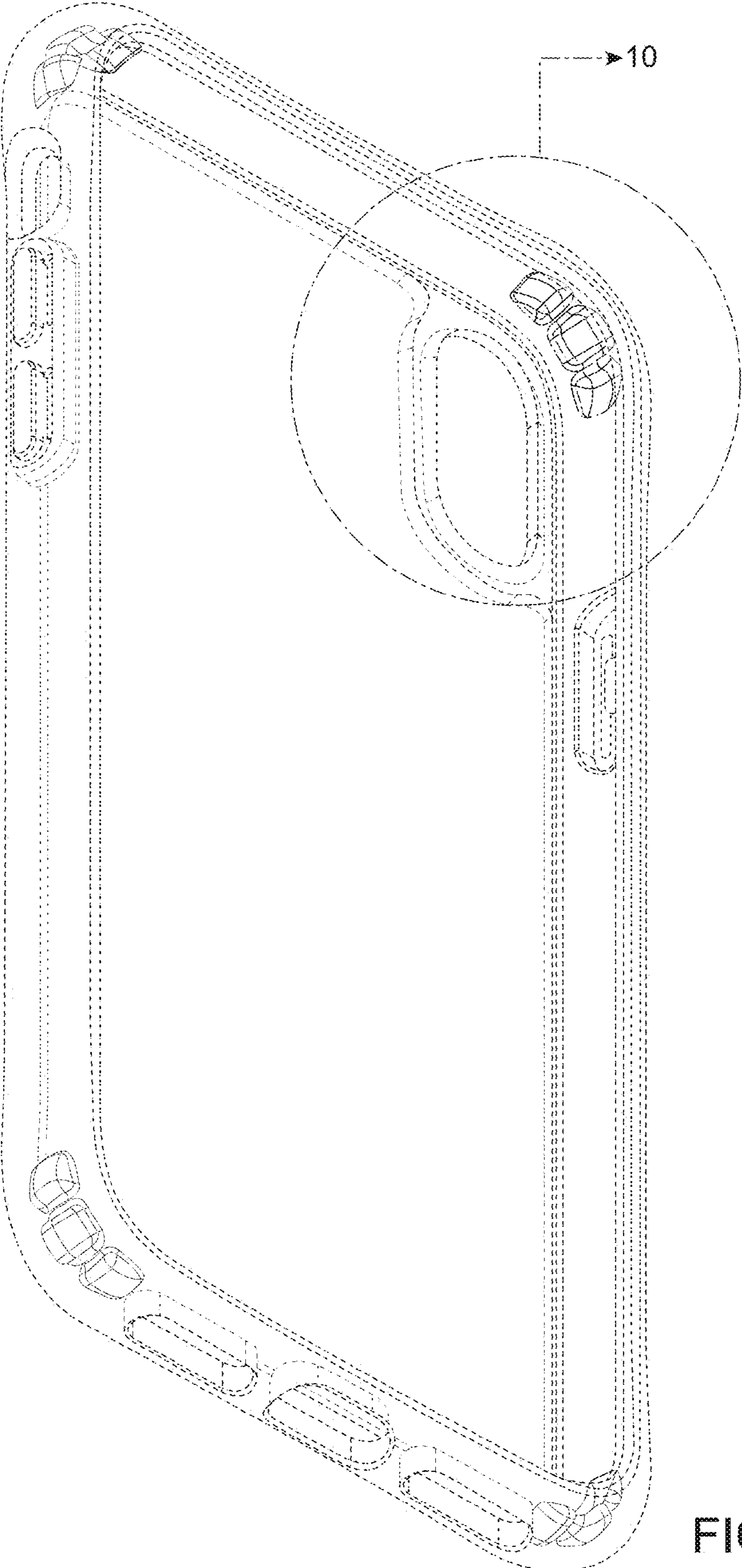


FIG. 2



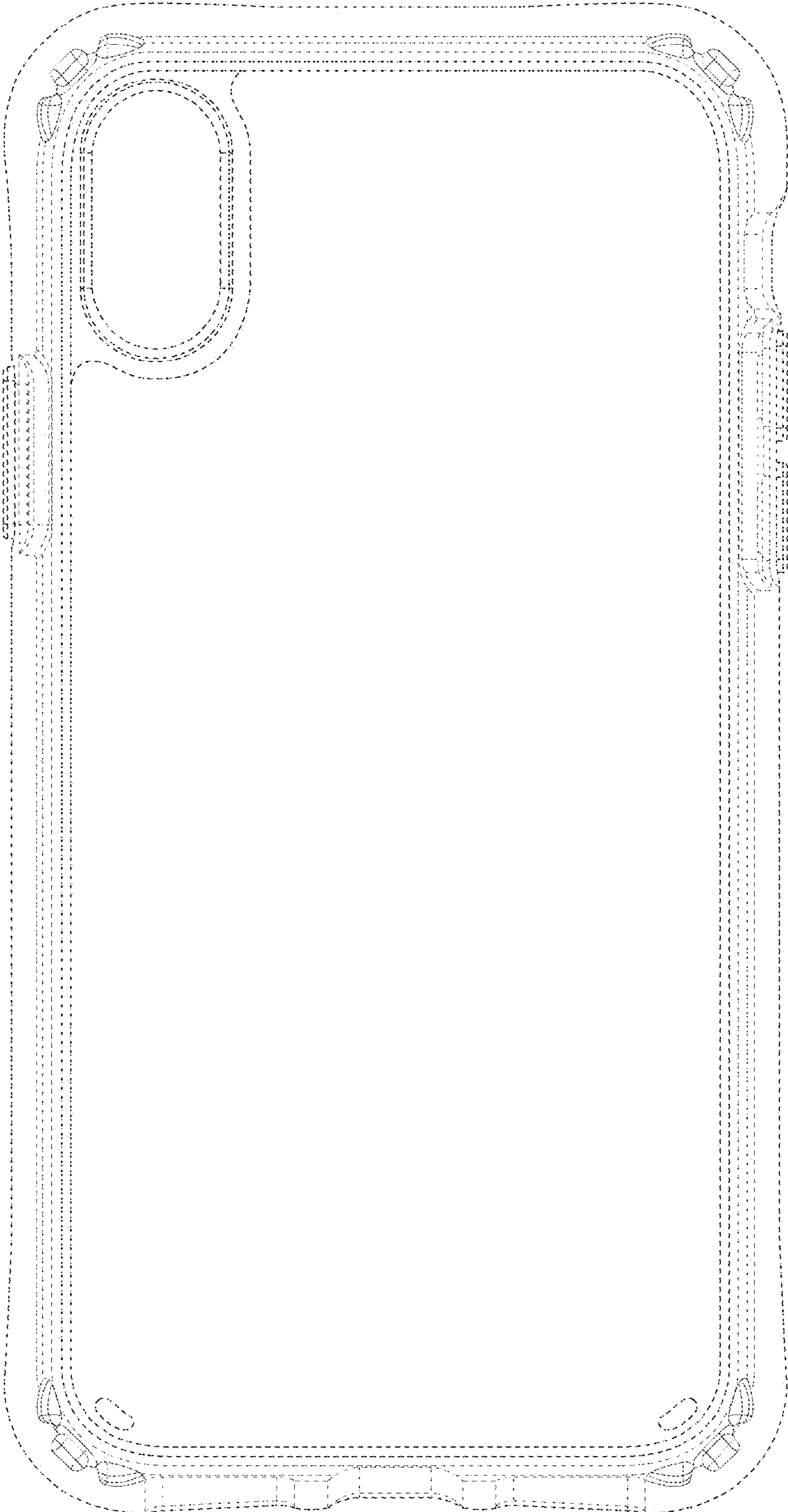


FIG. 3

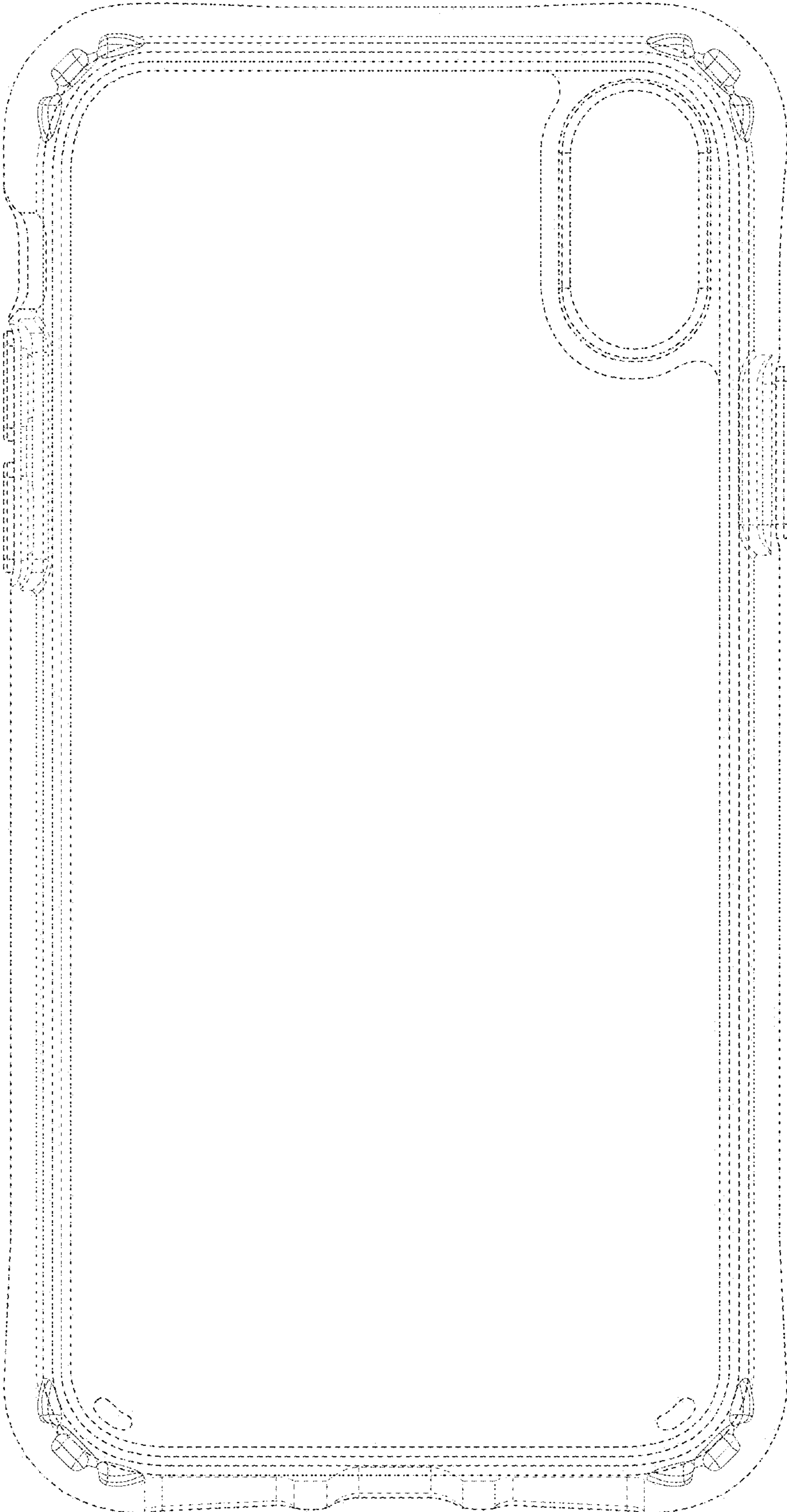


FIG. 4



FIG. 5

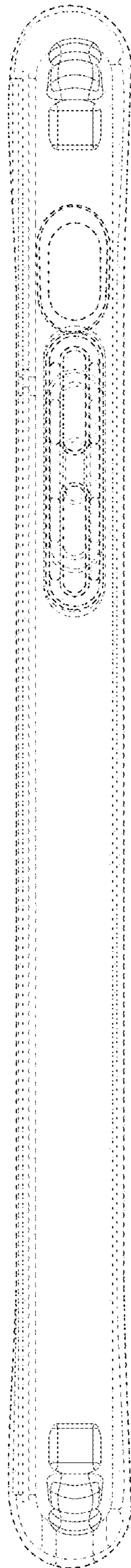


FIG. 6



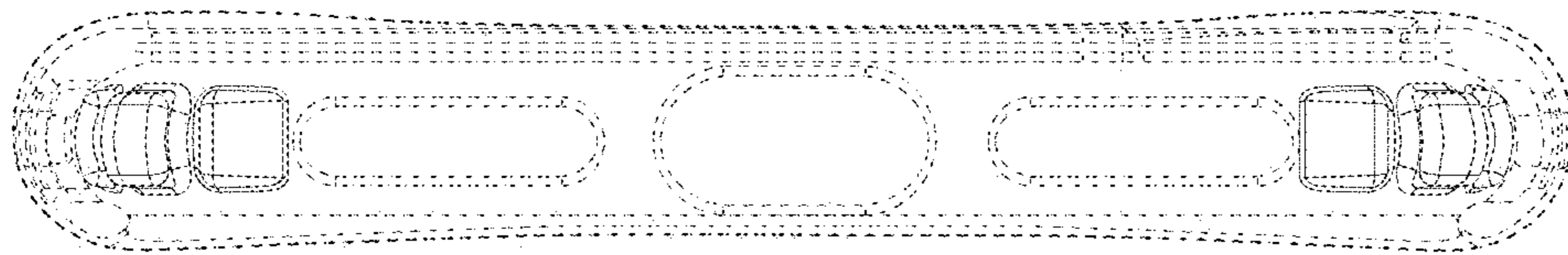


FIG. 7

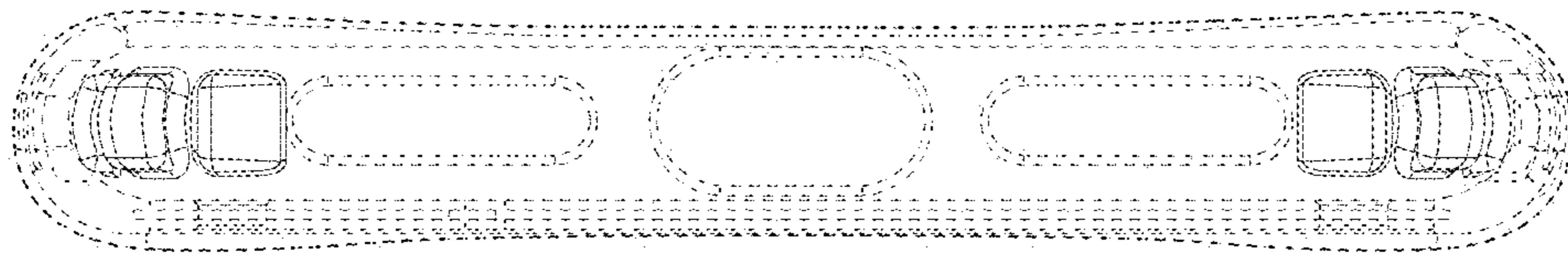


FIG. 8

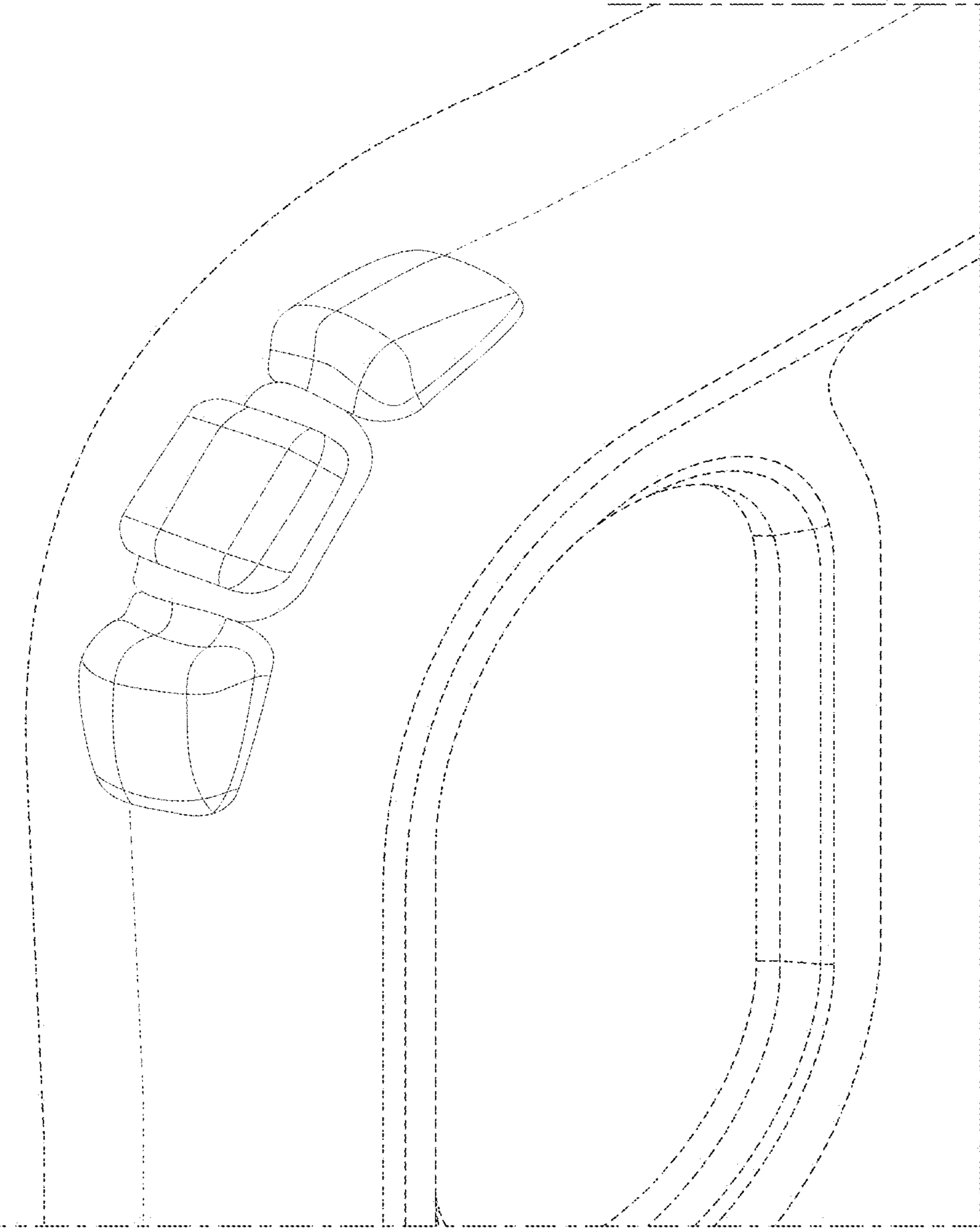


FIG. 9

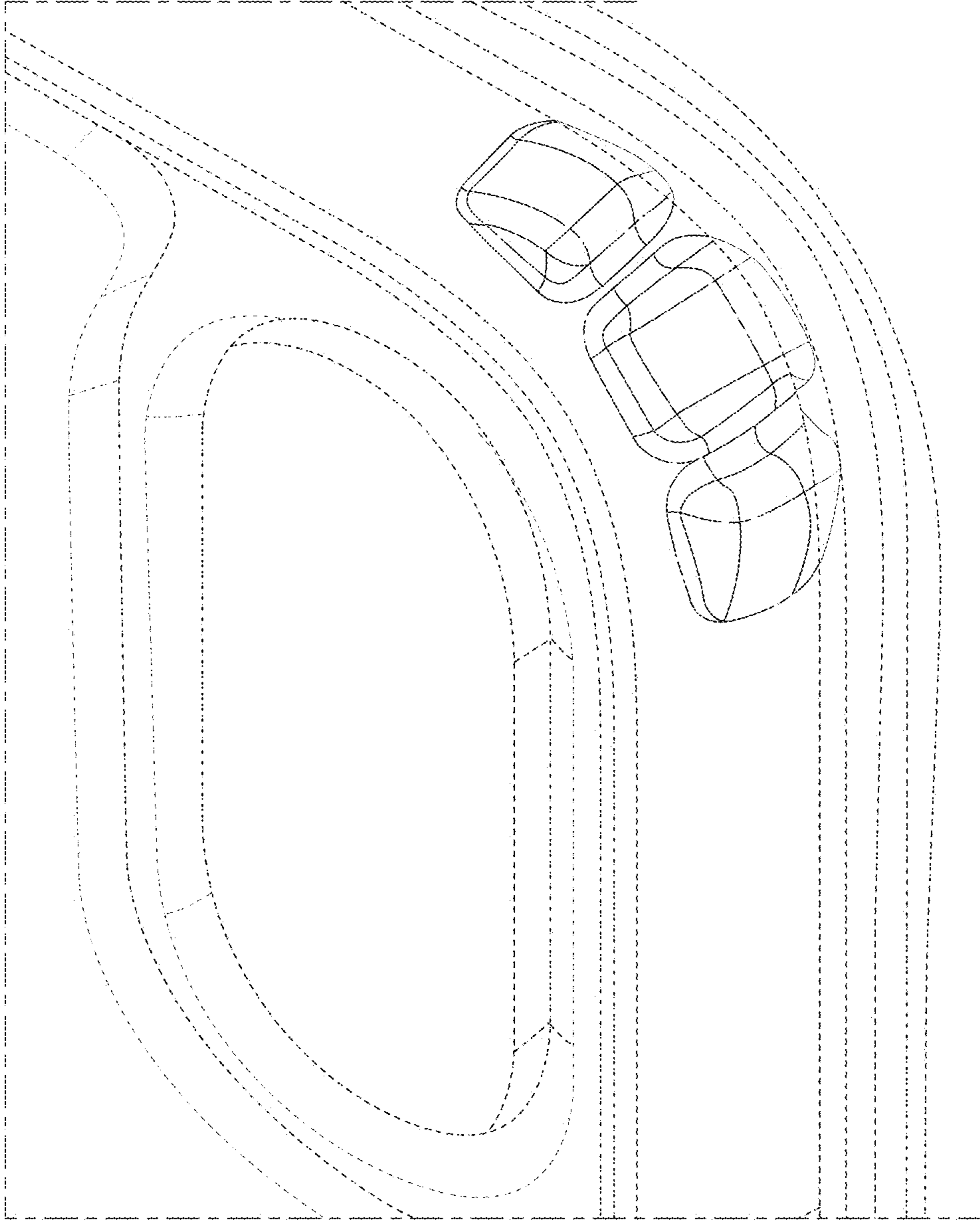


FIG. 10