



US00D968375S

(12) **United States Design Patent** (10) **Patent No.:** **US D968,375 S**  
**Petros** (45) **Date of Patent:** **\*\* \*Nov. 1, 2022**

(54) **INDOOR ANTENNA MODULE**  
(71) Applicant: **Taoglas Group Holdings Limited, Enniscorthy (IE)**  
(72) Inventor: **Argy Petros, Parkland, FL (US)**  
(73) Assignee: **TAOGLAS GROUP HOLDING LIMITED, Enniscorthy (IE)**  
(\* ) Notice: This patent is subject to a terminal disclaimer.  
(\*\*) Term: **15 Years**  
(21) Appl. No.: **29/643,084**  
(22) Filed: **Apr. 4, 2018**  
(51) **LOC (13) Cl.** ..... **14-03**  
(52) **U.S. Cl.**  
USPC ..... **D14/230**  
(58) **Field of Classification Search**  
USPC ..... D14/230, 232-236, 218, 434, 240;  
D10/106.5; D21/324; D13/168  
CPC .. H01Q 1/24; H01Q 1/22; H01Q 1/38; H01Q 9/28; H01Q 1/12; H01Q 5/321; H01Q 23/00; G08B 17/02; H01H 36/00; A63F 9/24  
See application file for complete search history.

6,715,246 B1 \* 4/2004 Frecska ..... H01Q 1/1207  
52/27  
6,850,196 B2 \* 2/2005 Wong ..... H01Q 1/243  
343/702  
D511,343 S \* 11/2005 Solomon ..... D14/356  
D515,075 S \* 2/2006 Kusanagi ..... D14/230  
(Continued)

**FOREIGN PATENT DOCUMENTS**

CN 1365163 A \* 8/2002 ..... B29C 45/14065  
JP D1560675 \* 9/2019  
WO WO-2017073644 A1 \* 5/2017 ..... H01Q 1/02

**OTHER PUBLICATIONS**

Think Wireless, website copyright 2014, <http://www.thinkwireless.com/categories.asp>, site visited Sep. 29, 2019.\*

*Primary Examiner* — John R Yeh

(74) *Attorney, Agent, or Firm* — Garson & Gutierrez, PC

(57) **CLAIM**

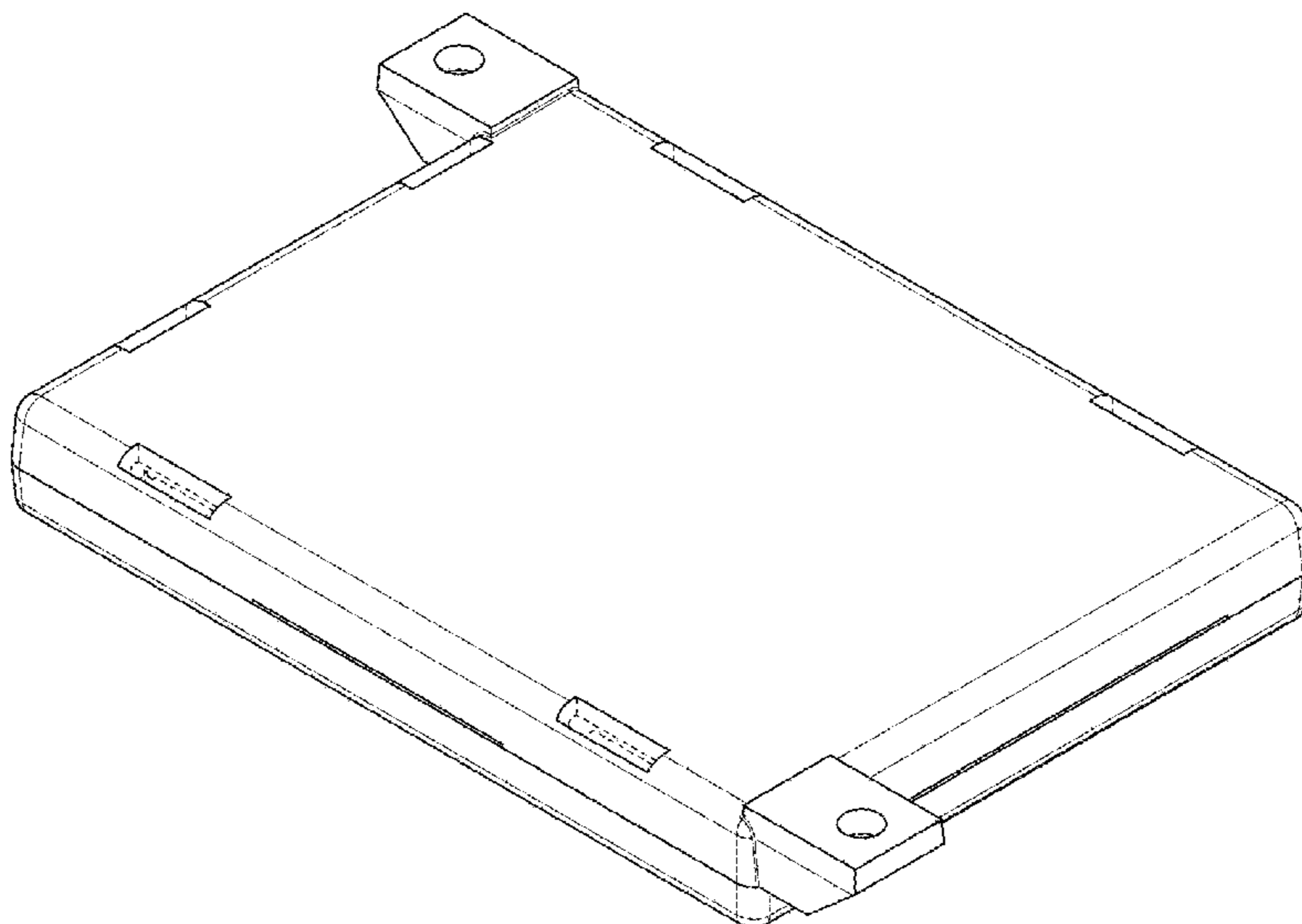
The ornamental design for an indoor antenna module, as shown and described.

**DESCRIPTION**

FIG. 1 is a top, left perspective view of my new design for an indoor antenna module;  
FIG. 2 is a front view thereof;  
FIG. 3 is a rear view thereof;  
FIG. 4 is a left side view thereof, the right side view being a mirror image;  
FIG. 5 is a top view thereof; and,  
FIG. 6 is a left side view of the indoor antenna module in a state of use.  
The broken lines depicted on and within the indoor antenna module form no part of the claimed design. The curving broken line around the indoor antenna module shown in FIG. 6 illustrate environmental subject matter such as a roof of a vehicle, and form no part of the claimed design.

**1 Claim, 5 Drawing Sheets**

(56) **References Cited**  
U.S. PATENT DOCUMENTS  
D104,526 S \* 5/1937 Brach ..... D14/230  
D215,940 S \* 11/1969 Kahn ..... D14/230  
D217,256 S \* 4/1970 Kahn ..... D14/230  
D318,673 S \* 7/1991 Terk ..... D14/230  
D332,262 S \* 1/1993 Borchardt ..... D14/230  
D345,564 S \* 3/1994 Kadono ..... D14/230  
D354,060 S \* 1/1995 Witzky ..... D14/230  
D401,243 S \* 11/1998 Guttadauro ..... D14/230  
D427,182 S \* 6/2000 Andrew ..... D14/230  
D427,193 S \* 6/2000 Fedele ..... D14/348



(56)

**References Cited**

U.S. PATENT DOCUMENTS

D516,061	S	*	2/2006	Wang	.....	D14/230
D531,173	S	*	10/2006	Aizawa	.....	D14/230
D531,995	S	*	11/2006	Shinkawa	.....	D14/230
D533,148	S	*	12/2006	Hong	.....	D14/125
D535,646	S	*	1/2007	Allen	.....	D14/230
D550,216	S	*	9/2007	Allen	.....	D14/230
D550,217	S	*	9/2007	Schneider	.....	D14/230
D560,214	S	*	1/2008	Yuba	.....	D14/230
D565,035	S	*	3/2008	Takisawa	.....	D14/230
D565,571	S	*	4/2008	Trifilio	.....	D14/356
D567,639	S	*	4/2008	McConnell	.....	D8/381
D580,420	S	*	11/2008	Takisawa	.....	D14/230
D580,422	S	*	11/2008	Lee	.....	D14/240
D582,400	S	*	12/2008	Takisawa	.....	D14/230
D582,905	S	*	12/2008	Takisawa	.....	D14/230
D593,078	S	*	5/2009	Sato	.....	D14/230
D658,638	S	*	5/2012	Podduturi	.....	D14/230
D659,686	S	*	5/2012	Podduturi	.....	D14/230
D758,999	S	*	6/2016	Matsuoka	.....	D14/230
D760,705	S	*	7/2016	Matsuoka	.....	D14/230
D774,023	S	*	12/2016	Fariello	.....	D14/230
D782,354	S	*	3/2017	Lovin	.....	D10/101
D791,747	S	*	7/2017	Bellows	.....	D14/230
D791,748	S	*	7/2017	Bellows	.....	D14/230
D815,621	S	*	4/2018	Anderson	.....	D14/230
D947,820	S	*	4/2022	Zhao	.....	D14/230
2003/0103014	A1	*	6/2003	Birnbaum	.....	H01Q 9/0421 343/841

\* cited by examiner

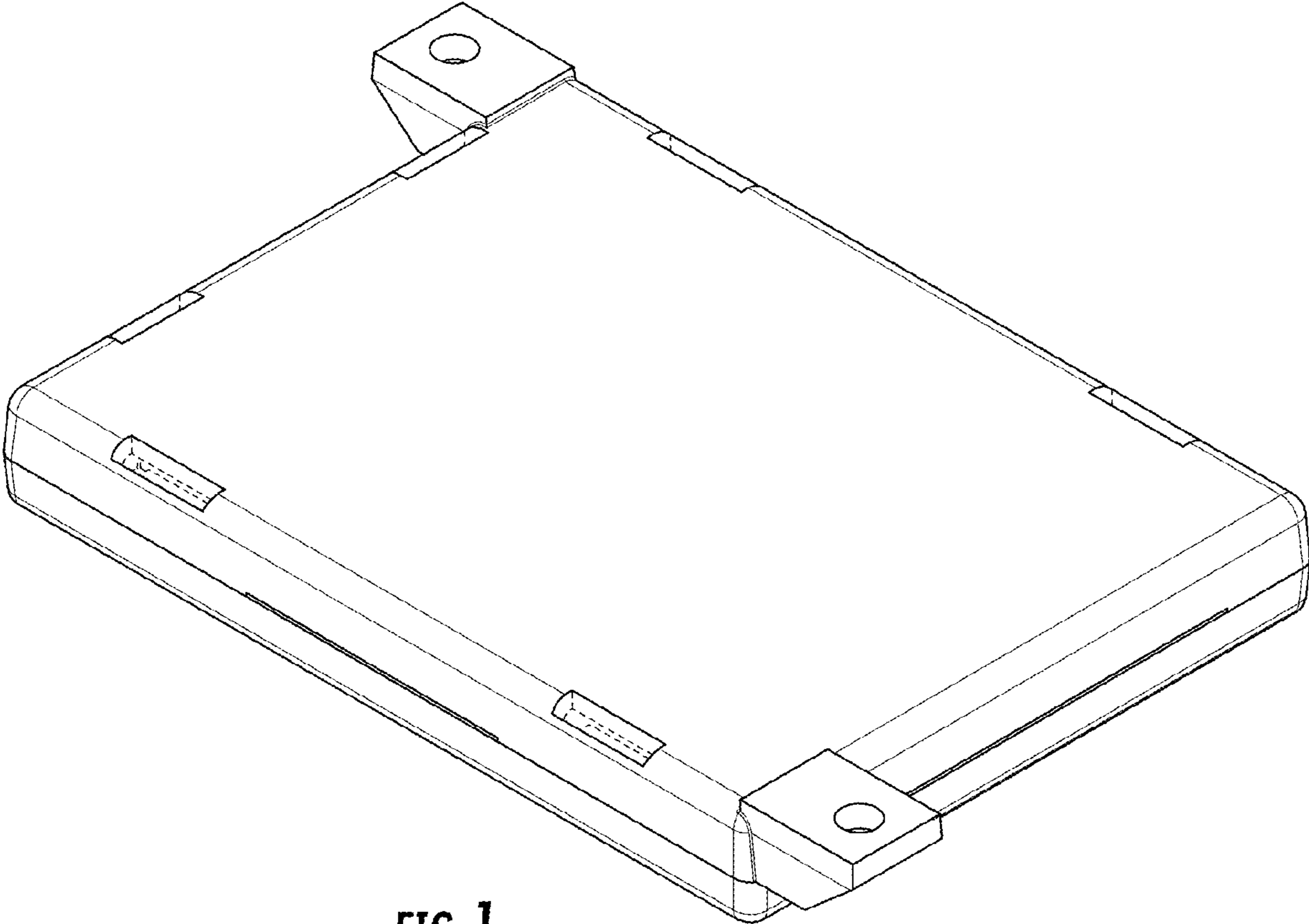
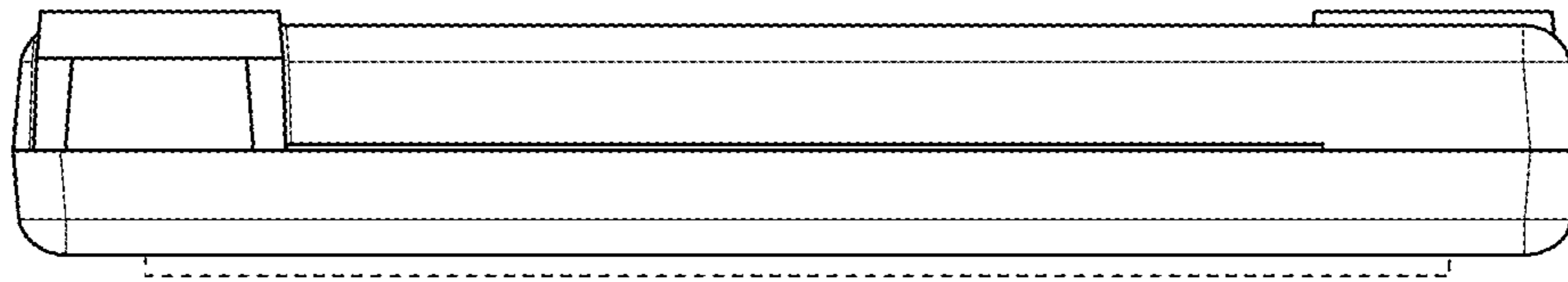
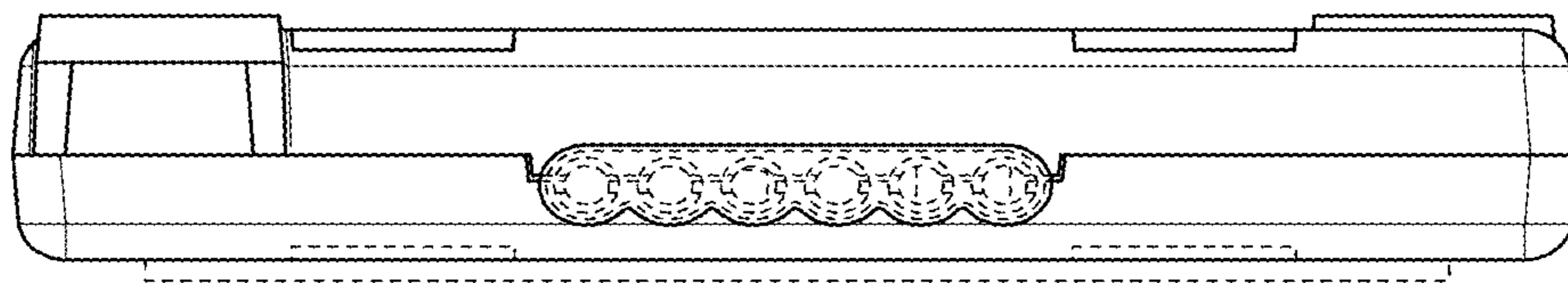


FIG. 1



**FIG. 2**



**FIG. 3**

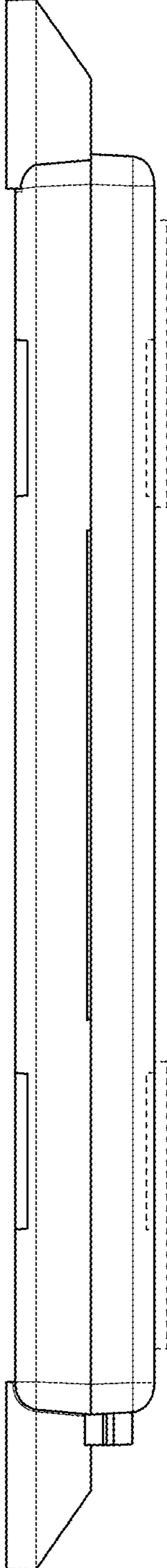


FIG. 4

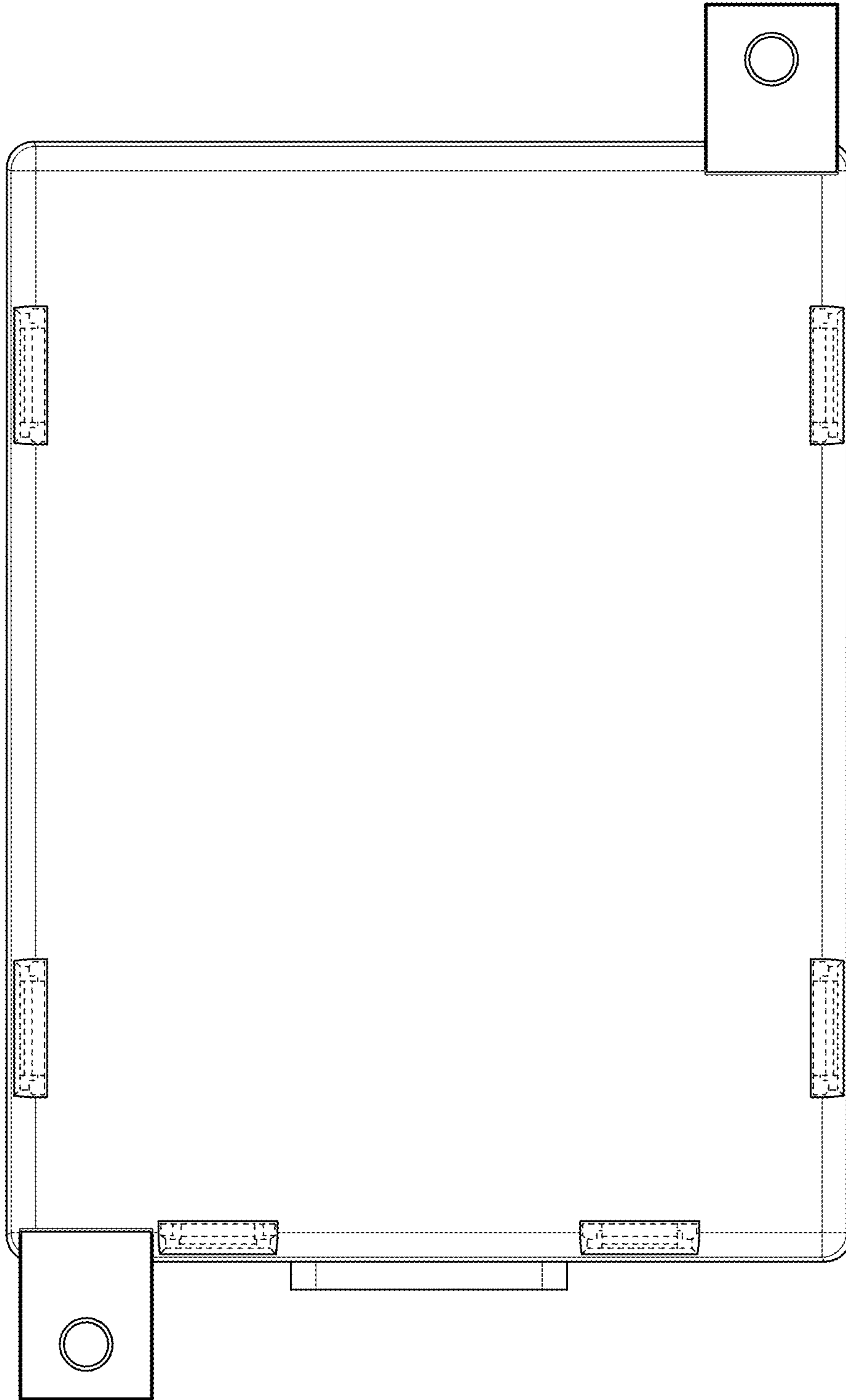


FIG. 5

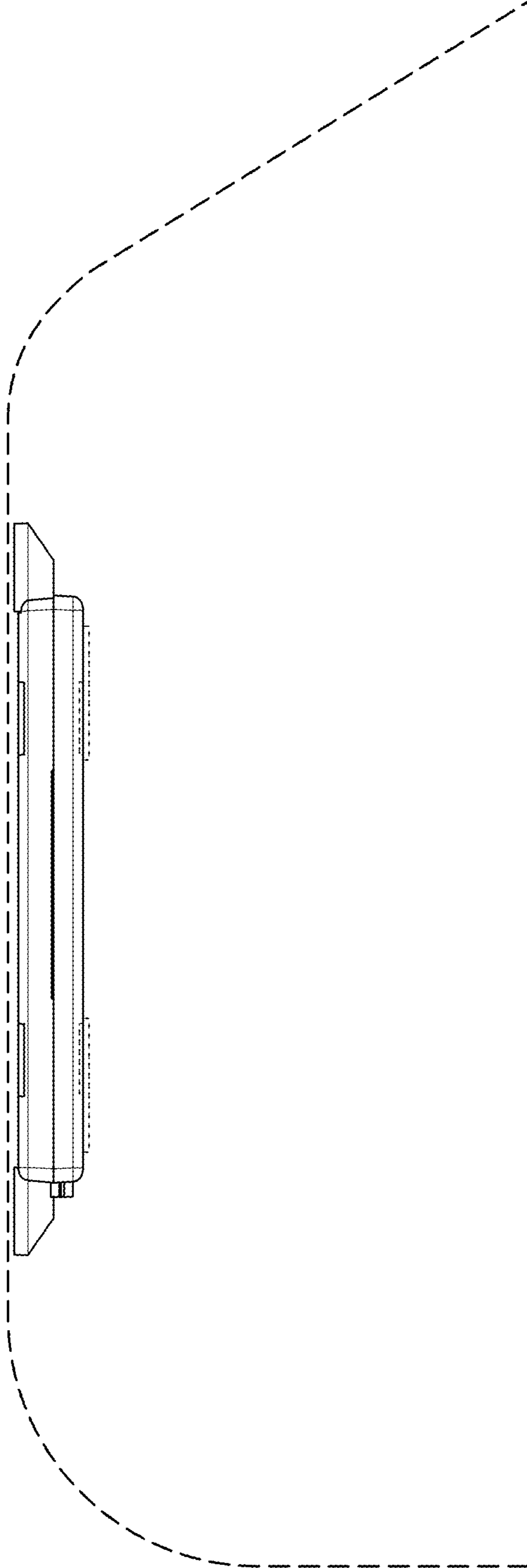


FIG. 6