



US00D968374S

(12) **United States Design Patent**
Zhou

(10) **Patent No.:** **US D968,374 S**

(45) **Date of Patent:** **** Nov. 1, 2022**

(54) **MICROPHONE**

(71) Applicant: **Shenzhen aierji Communication Co., Ltd.**, Shenzhen (CN)

(72) Inventor: **Hong Zhou**, Sichuan (CN)

(73) Assignee: **Shenzhen aierji Communication Co., Ltd.**, Shenzhen (CN)

(**) Term: **15 Years**

(21) Appl. No.: **29/785,414**

(22) Filed: **May 25, 2021**

(51) **LOC (13) Cl.** **14-01**

(52) **U.S. Cl.**
USPC **D14/225**

(58) **Field of Classification Search**
USPC D14/155–159, 160–173, 187–188,
D14/189–198, 203.1–203.8, 204–216,
D14/217–222, 224–229, 257–258, 496,
D14/498–506; D6/672–673, 675.1, 682
CPC H04R 1/02; H04R 1/021; H04R 1/025;
H04R 1/026; H04R 1/028; H04R 1/06;
H04R 1/105; H04R 1/323; H04R 1/403;
H04R 1/2803; H04R 1/2834
See application file for complete search history.

(56) **References Cited**

U.S. PATENT DOCUMENTS

D433,013 S *	10/2000	Yuyama	D14/227
D585,060 S *	1/2009	Han	D14/358
D650,377 S *	12/2011	Akana	D14/314
D699,241 S *	2/2014	Moors	D14/356
D705,748 S *	5/2014	He	D14/155
D751,526 S *	3/2016	Habraken	D14/204
D786,791 S *	5/2017	Jeong	D13/108

(Continued)

FOREIGN PATENT DOCUMENTS

CN	306768870	*	8/2021
CN	306810393	*	9/2021

(Continued)

OTHER PUBLICATIONS

USB Conference Microphone, date first available: Mar. 10, 2021, [retrieved Jul. 27, 2022], Retrieved from Internet, URL: <https://www.amazon.com/Conference-Microphone-360%C2%B0Omnidirectional-Voice-One-Key/dp/B08YJD9TTZ/ref=asc_df_B08YJD9TTZ/?tag=hyprod-20&li%E2%80%A6> (Year: 2021).*

(Continued)

Primary Examiner — Messina L Smith

Assistant Examiner — Aram Kwon

(74) *Attorney, Agent, or Firm* — ScienBiziP, P.C.

(57) **CLAIM**

The ornamental design for a microphone, as shown and described.

DESCRIPTION

FIG. 1 is a front, right, and top perspective view of a microphone, showing my design.

FIG. 2 is a rear, left, and bottom perspective view thereof.

FIG. 3 is a front elevation view thereof.

FIG. 4 is a rear elevation view thereof.

FIG. 5 is a left side elevation view thereof.

FIG. 6 is a right side elevation view thereof.

FIG. 7 is a bottom plan view thereof;

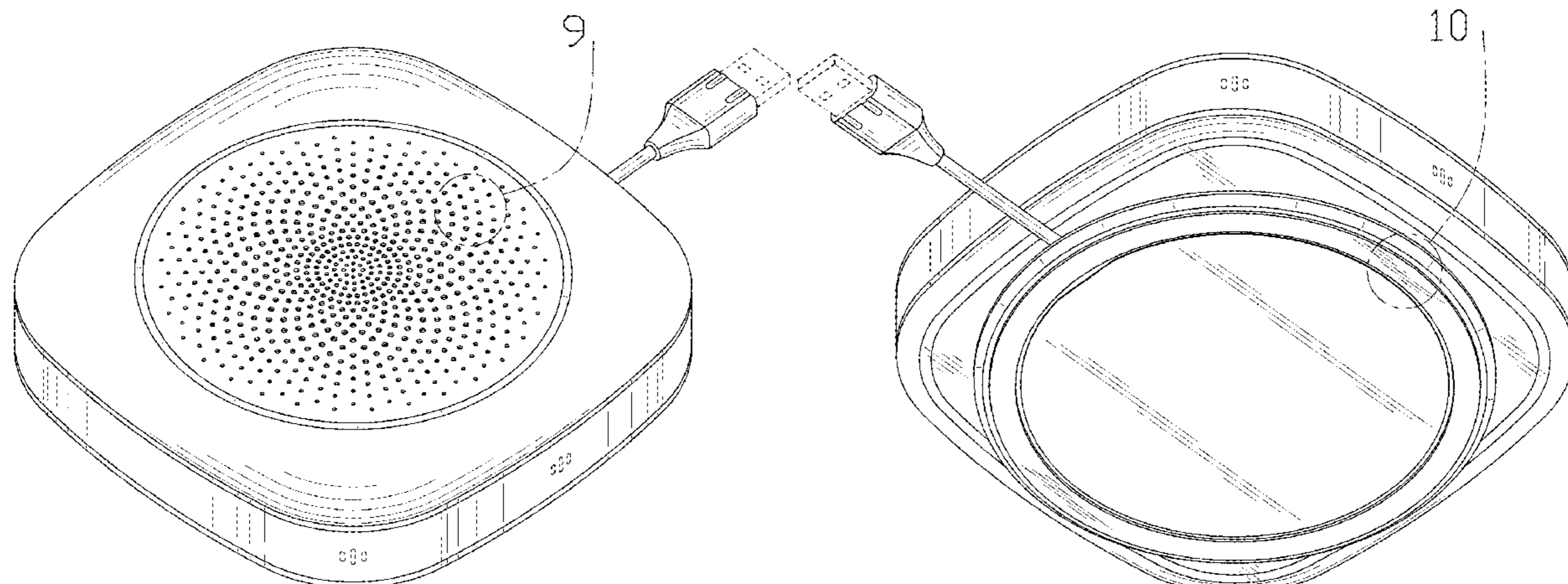
FIG. 8 is a top plan view thereof;

FIG. 9 is an enlarged view of the encircled area of the microphone labeled 9 in FIG. 1; and,

FIG. 10 is an enlarged view of the encircled area of the microphone labeled 10 in FIG. 2.

The evenly dashed broken lines in FIGS. 1-8 illustrate portions of the microphone that form no part of the claimed design. The dash-dot broken lines in FIGS. 1-2 and 9-10 encircling portions illustrated in enlargements form no part of the claimed design.

1 Claim, 10 Drawing Sheets



(56)

References Cited

U.S. PATENT DOCUMENTS

D796,434 S * 9/2017 Li D13/108
 D815,070 S * 4/2018 Elmieh D14/240
 D845,897 S * 4/2019 Kim D13/108
 D854,010 S * 7/2019 Deng D14/242
 D879,076 S * 3/2020 Sahlin D14/225
 D883,209 S * 5/2020 Liao D13/110
 D890,095 S * 7/2020 Liao D13/110
 D894,191 S * 8/2020 Turksu D14/434
 D906,959 S * 1/2021 Turksu D13/108
 D907,043 S * 1/2021 Turksu D14/434
 D911,955 S * 3/2021 Turksu D13/108
 D916,678 S * 4/2021 Du D14/155
 D945,392 S * 3/2022 Jia D14/155
 D951,955 S * 5/2022 Turksu D14/434
 D953,304 S * 5/2022 Huang D14/225
 D958,071 S * 7/2022 Yang D13/108
 2005/0176505 A1 * 8/2005 Stanley A63F 13/06
 463/37

FOREIGN PATENT DOCUMENTS

CN 307048436 * 1/2022
 CN 307094577 * 2/2022
 CN 307326170 * 5/2022

OTHER PUBLICATIONS

USB Conference Microphone, date first available: Oct. 16, 2021, [retrieved Jul. 27, 2022], Retrieved from Internet, URL: <https://www.amazon.com/dp/B09JLRTZCV/ref=sspa_dk_detail_6?psc=1&pf_rd_p=3be1c5b9-5b41-4830-a902-fa8556c19eb5&pf_rd_r=1WPBRH3JTF%E2%80%A6> (Year: 2021).*

USB Speakerphone Microphone, date first available: Aug. 12, 2019, [retrieved Jul. 27, 2022], Retrieved from Internet, URL: <https://www.amazon.com/dp/B07WD52LXJ/ref=sspa_dk_detail_13?pf_rd_p=3481f441-61ac-4028-9c1a-7f9ce8ec50c5&pf_rd_r=1WPBRH3JT%E2%80%A6&th=1> (Year: 2019).*

* cited by examiner

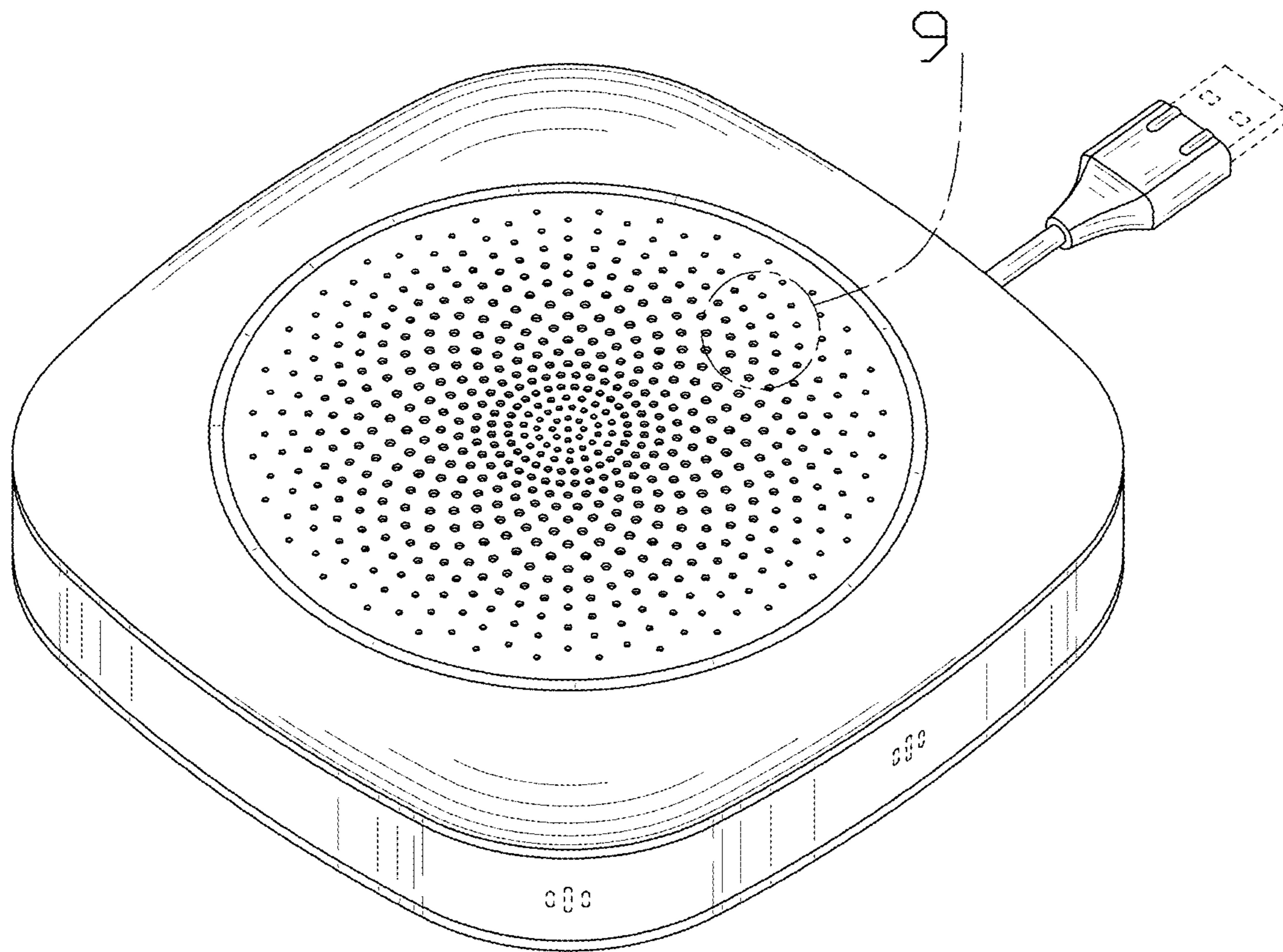


FIG. 1

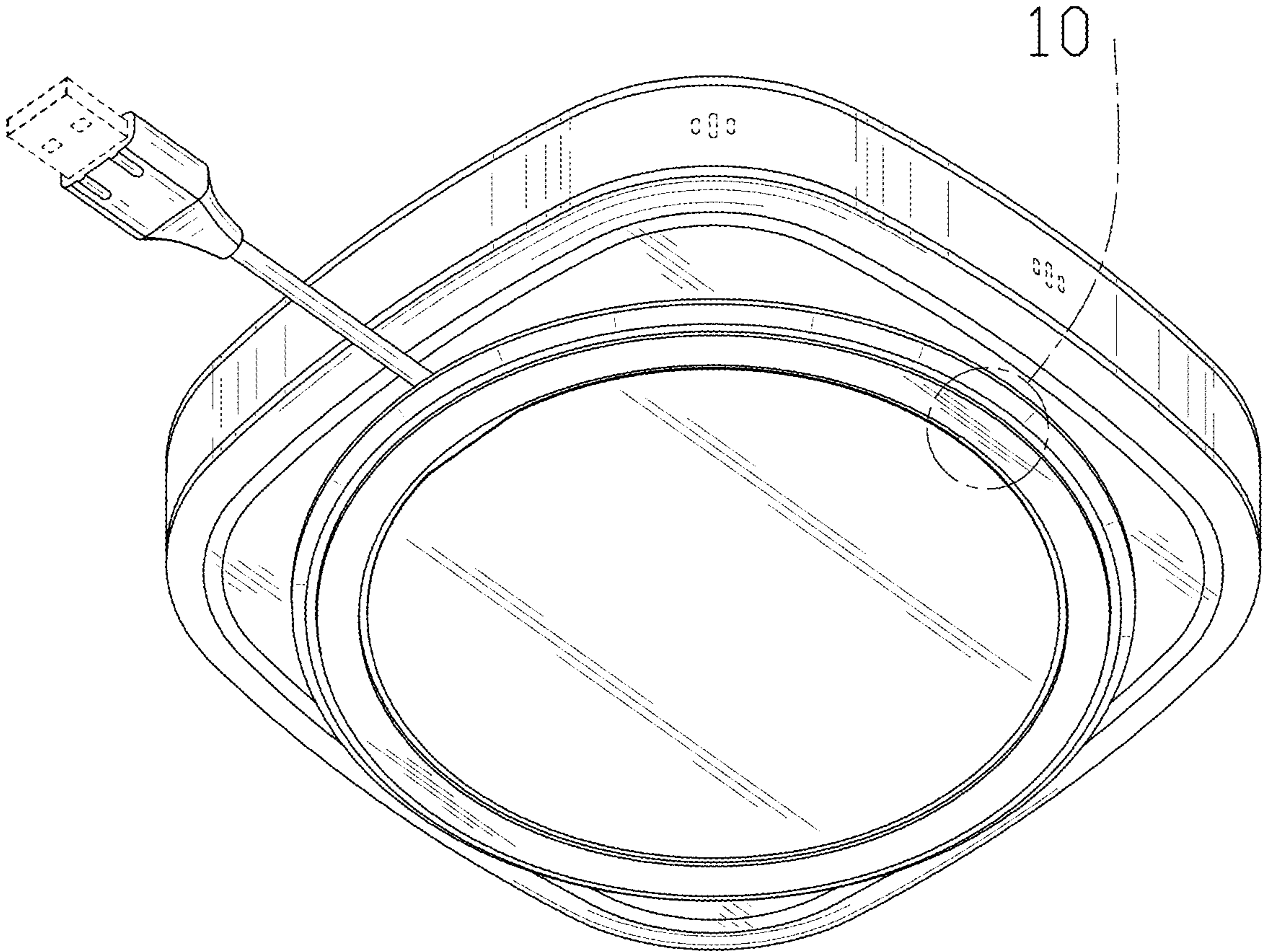


FIG. 2

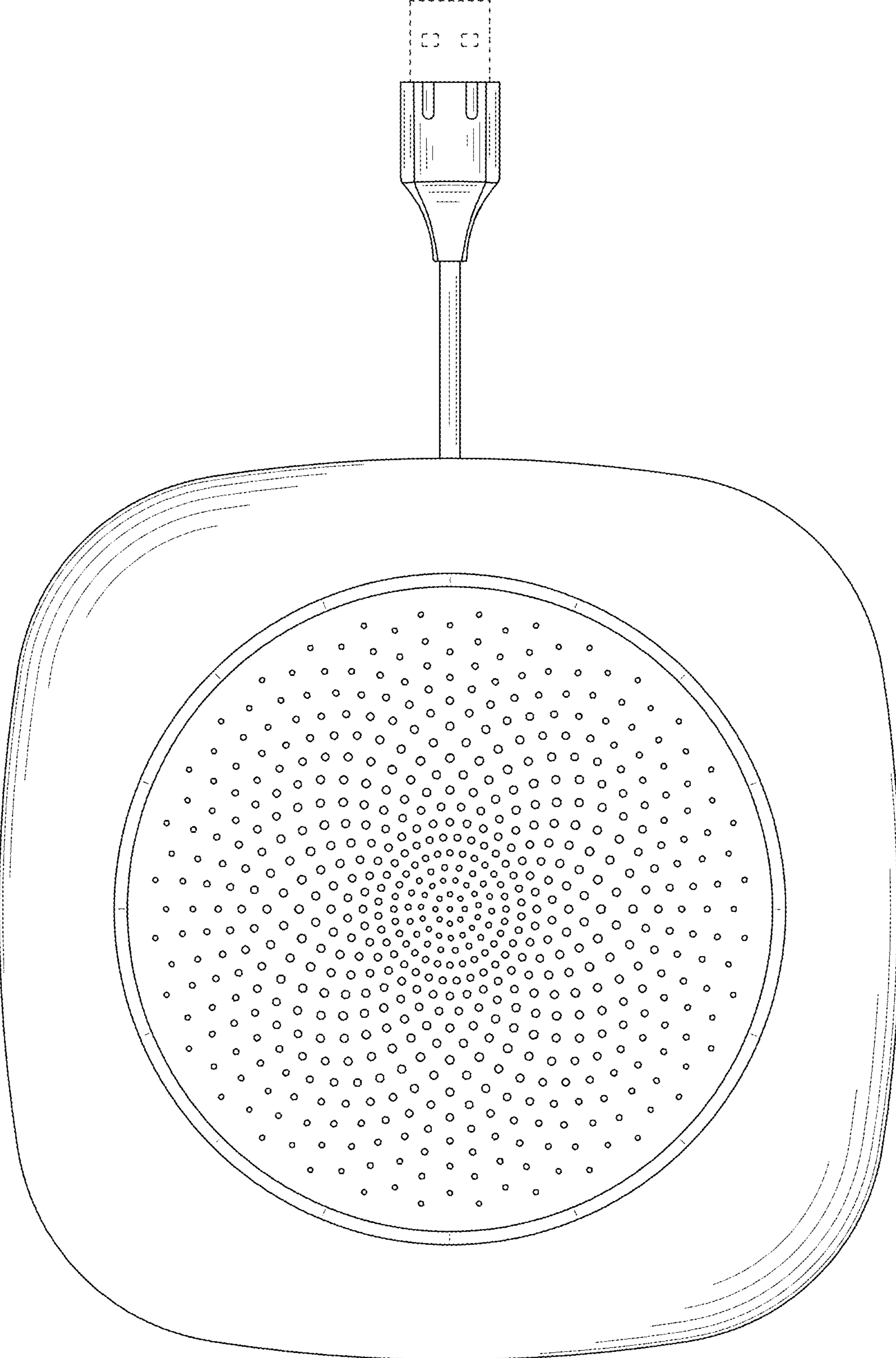


FIG. 3

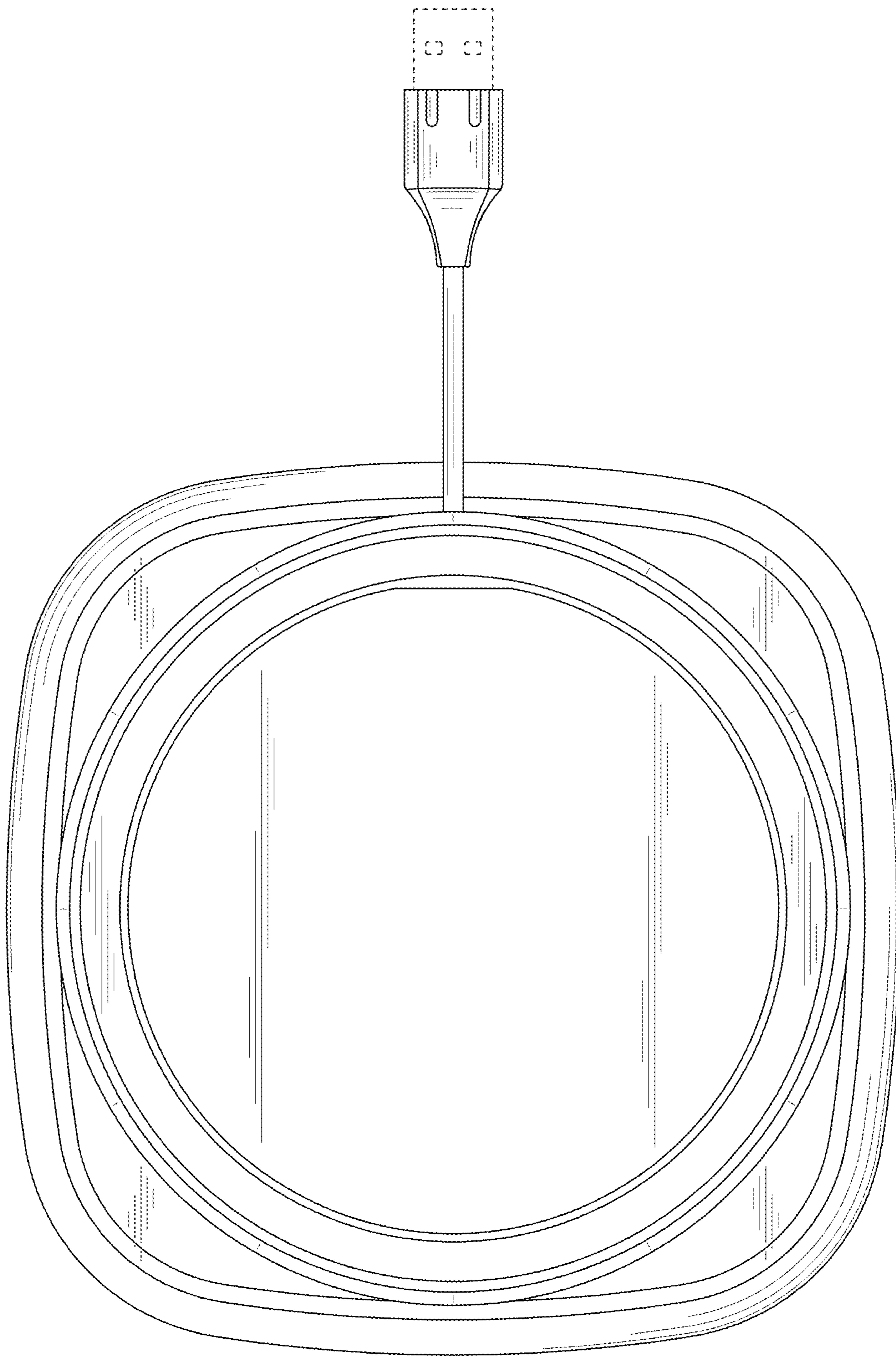


FIG. 4

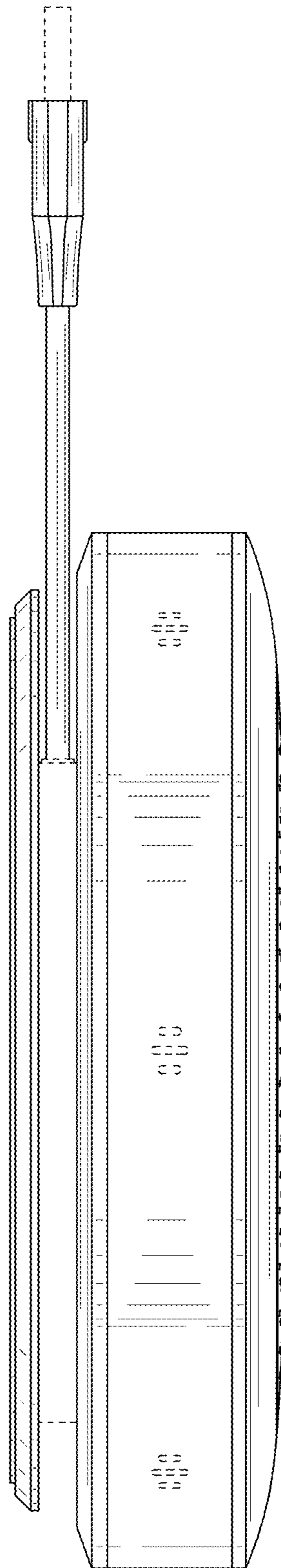


FIG. 5

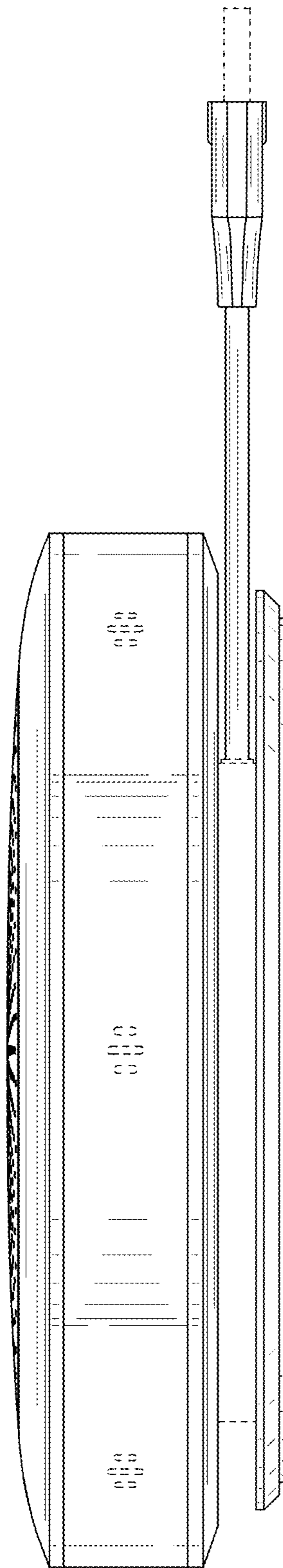


FIG. 6

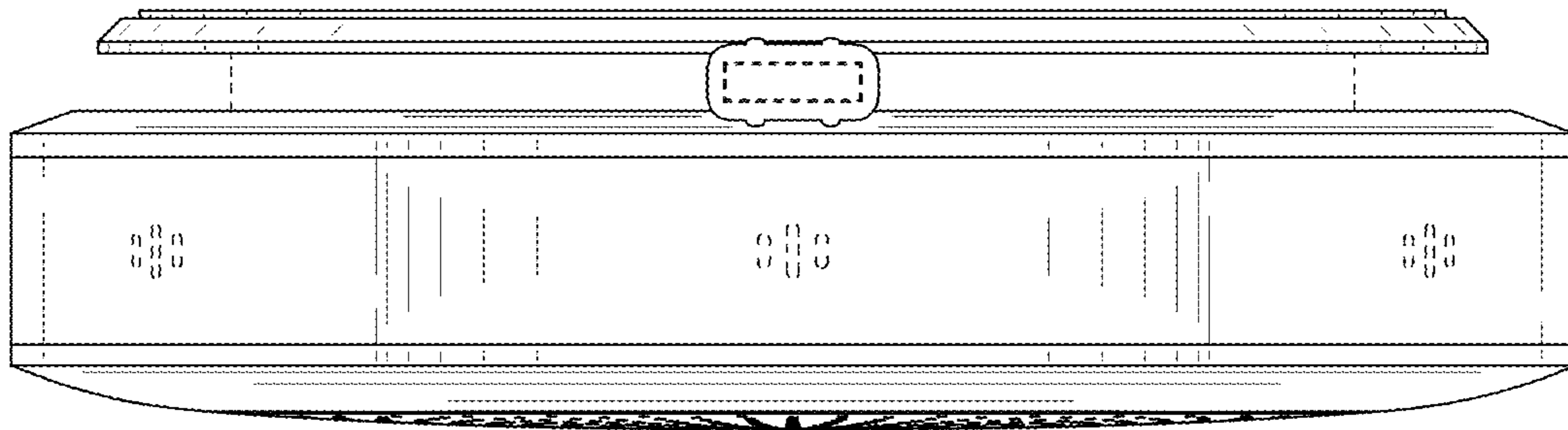


FIG. 7

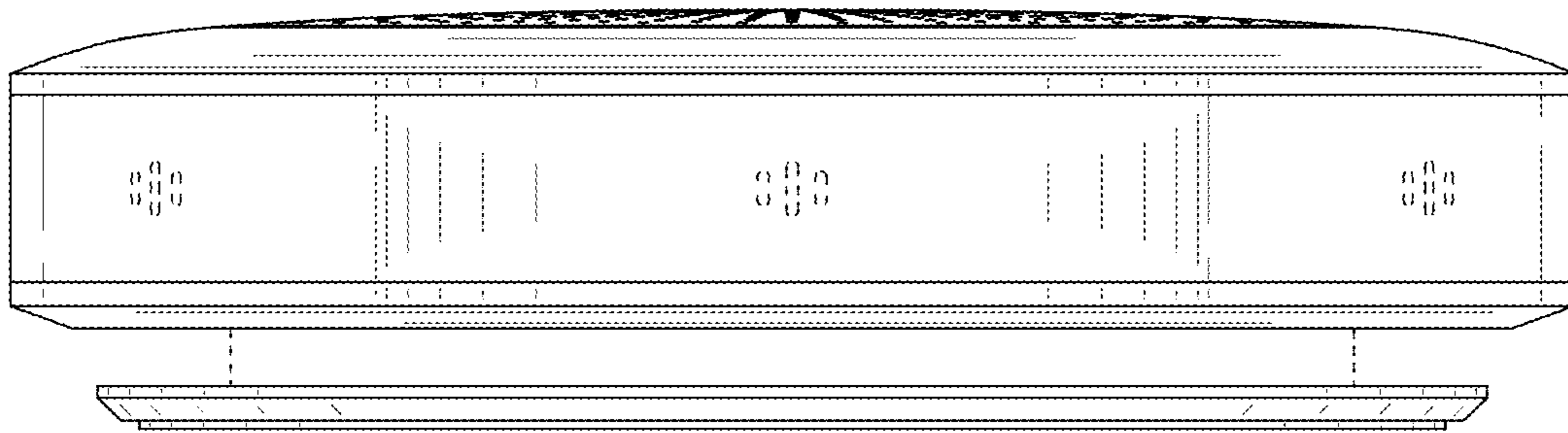


FIG. 8

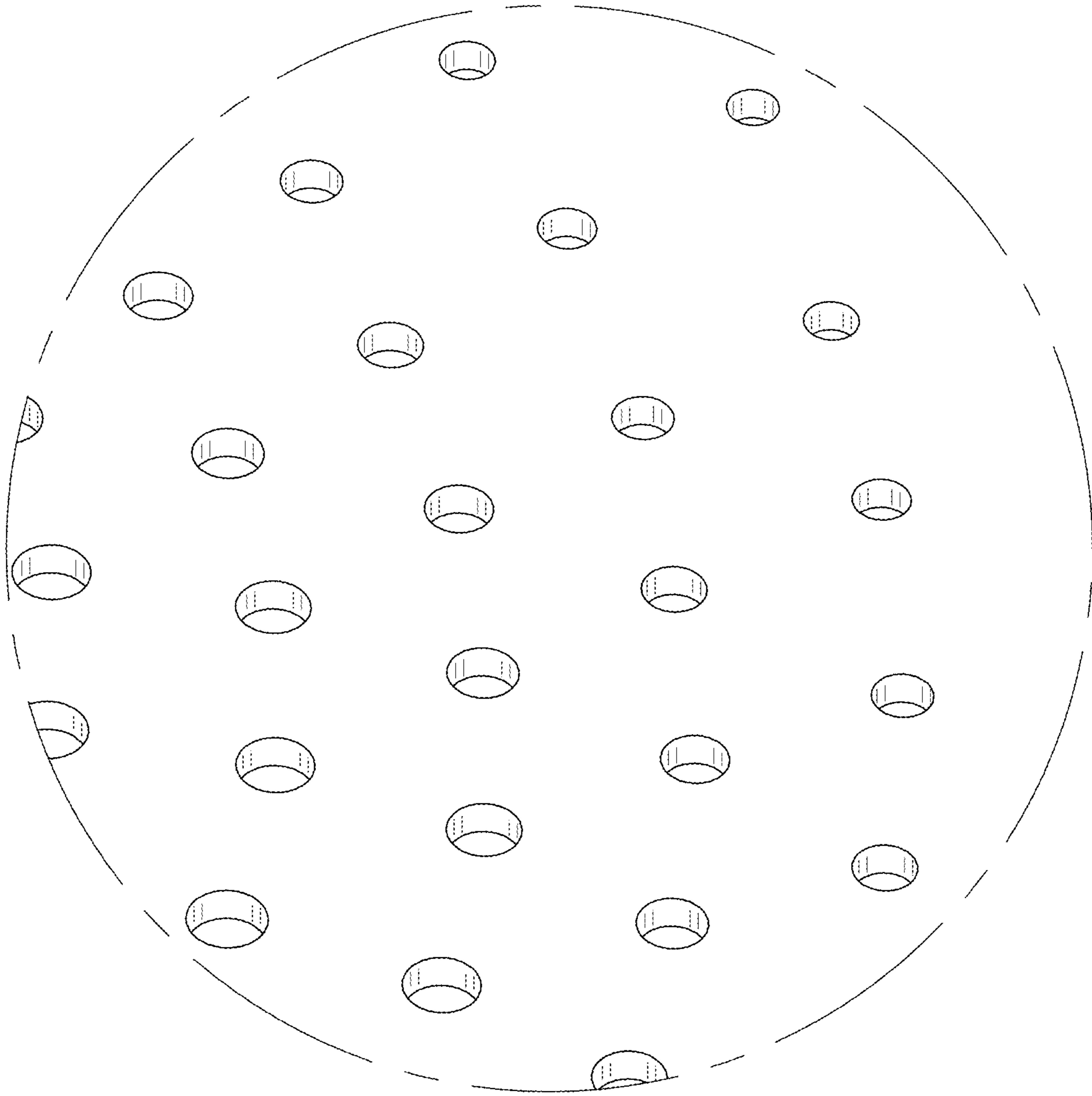


FIG. 9

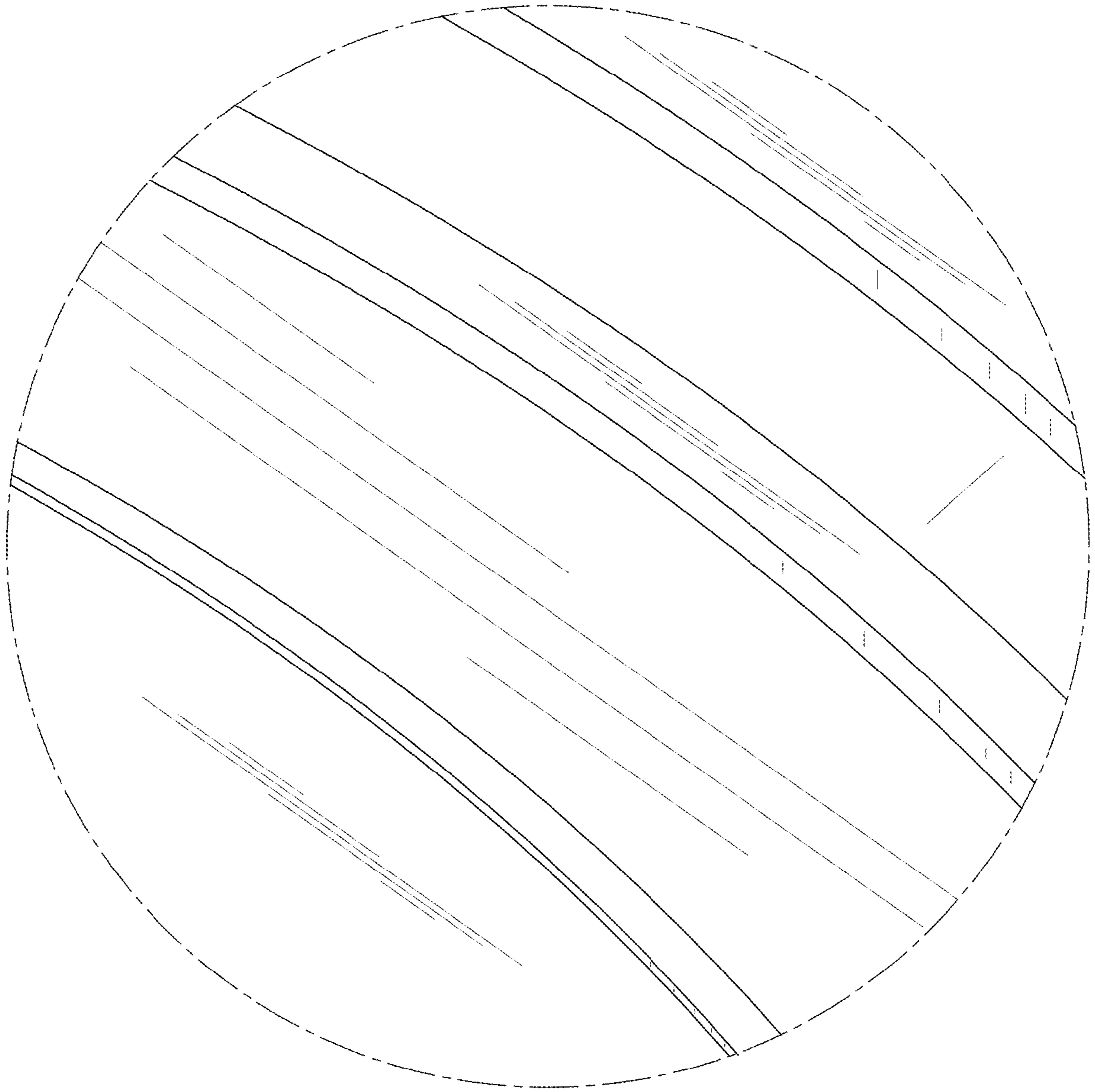


FIG. 10