



US00D968372S

(12) **United States Design Patent**
Guo et al.

(10) **Patent No.:** **US D968,372 S**

(45) **Date of Patent:** **** Nov. 1, 2022**

(54) **EARPHONE**

(71) Applicant: **Shenzhen Taipuda Technology Co., Ltd.**, Guangdong (CN)

(72) Inventors: **Dehua Guo**, Guangdong (CN); **Jinniu Yuan**, Guangdong (CN)

(73) Assignee: **Shenzhen Taipuda Technology Co., Ltd.**, Shenzhen (CN)

(**) Term: **15 Years**

(21) Appl. No.: **29/785,076**

(22) Filed: **May 24, 2021**

(51) **LOC (13) Cl.** **14-01**

(52) **U.S. Cl.**
USPC **D14/223**

(58) **Field of Classification Search**
USPC D14/223, 205, 206; D24/174, 217, 218; 128/864, 865, 866; 181/129, 130, 135; 379/430, 431; 381/380, 381, 322-324, 381/330; 455/90.3, 575, 1, 569.1; D9/415, 432, 721; D3/274, 294; D13/108
CPC H04R 1/10; H04R 25/00; H04R 1/1016; H04R 1/1066; H04R 5/033; H04R 5/0335; H04R 1/1091; H04R 1/1058; H04R 1/105; H04R 1/1083
See application file for complete search history.

(56) **References Cited**

U.S. PATENT DOCUMENTS

D195,322 S * 5/1963 Hill D24/106
D298,356 S * 11/1988 Falco D24/106
D330,761 S * 11/1992 Falco A61F 11/085
D24/106
D414,260 S * 9/1999 Conner D24/106
D427,304 S * 6/2000 Magidson D24/106

D492,765 S * 7/2004 Falco A61F 11/08
D24/106
D560,792 S * 1/2008 Miller A61F 11/08
D24/106
7,314,047 B2 * 1/2008 Falco A61F 11/08
128/865
D624,999 S * 10/2010 Turdjian A61F 11/08
D24/106
D733,103 S 6/2015 Jeong et al.
D781,269 S 3/2017 Choe et al.
D826,211 S 8/2018 Kim
D864,166 S 10/2019 You
D872,062 S * 1/2020 Cui D14/223
D887,395 S 6/2020 Wang
D924,841 S * 7/2021 Yuan D14/205
D931,437 S * 9/2021 Yuan D24/106
D932,002 S * 9/2021 Yuan D24/106
D955,549 S * 6/2022 Cai D24/106

* cited by examiner

Primary Examiner — Katie Jane Stofko

(74) *Attorney, Agent, or Firm* — Dragon Sun Law Firm, PC; Jinggao Li; Nathaniel Perkins

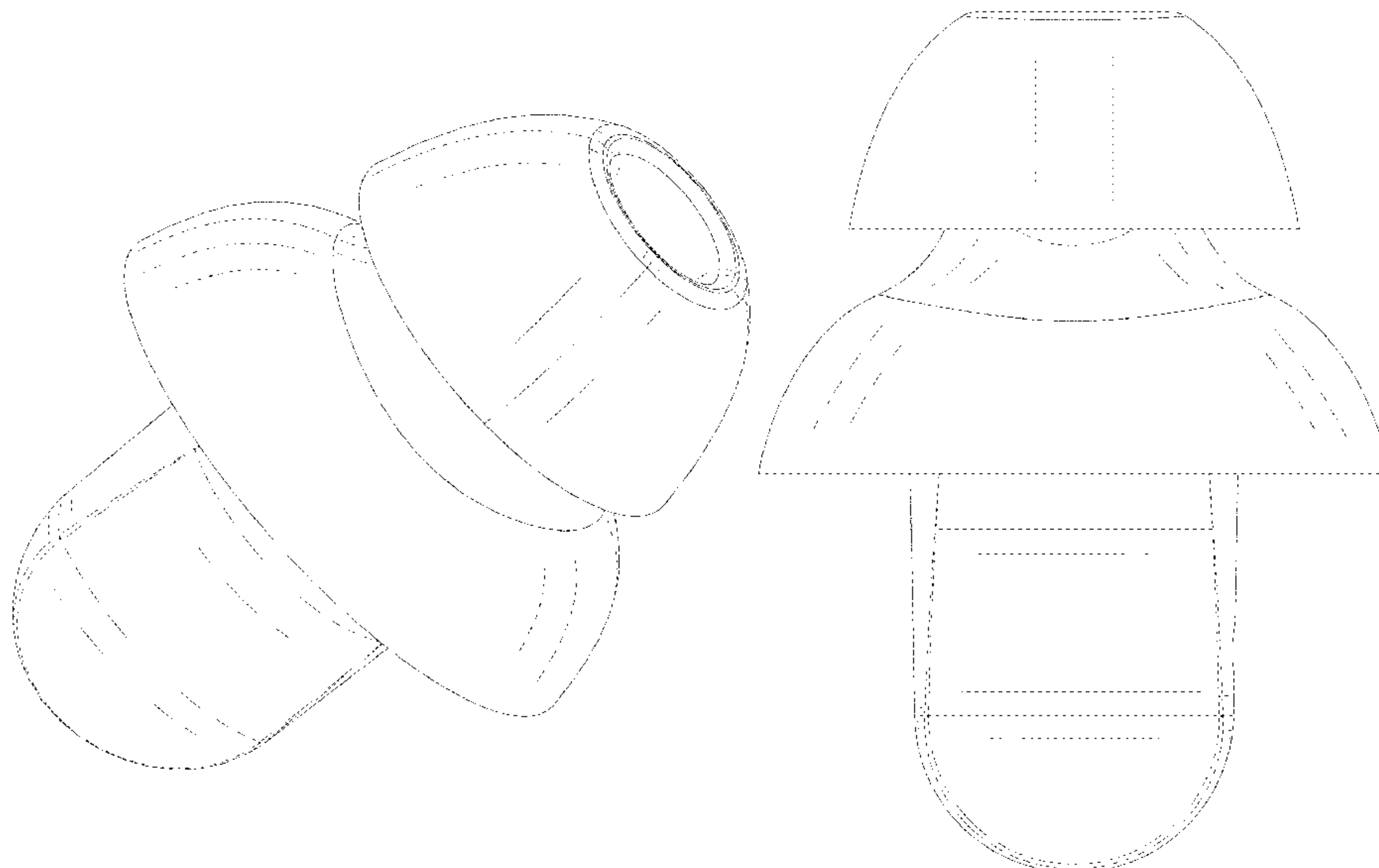
(57) **CLAIM**

The ornamental design for an earphone, as shown and described.

DESCRIPTION

FIG. 1 is a front, top and left side perspective view of an earphone;
FIG. 2 is a rear, bottom and right side perspective view of FIG. 1;
FIG. 3 is a front view of FIG. 1;
FIG. 4 is a rear view of FIG. 1;
FIG. 5 is a left view of FIG. 1;
FIG. 6 is a right view of FIG. 1;
FIG. 7 is a top view of FIG. 1; and,
FIG. 8 is a bottom view of FIG. 1.
The broken lines shown on the drawings depict portions of the earphone that form no part of the claimed design.

1 Claim, 8 Drawing Sheets



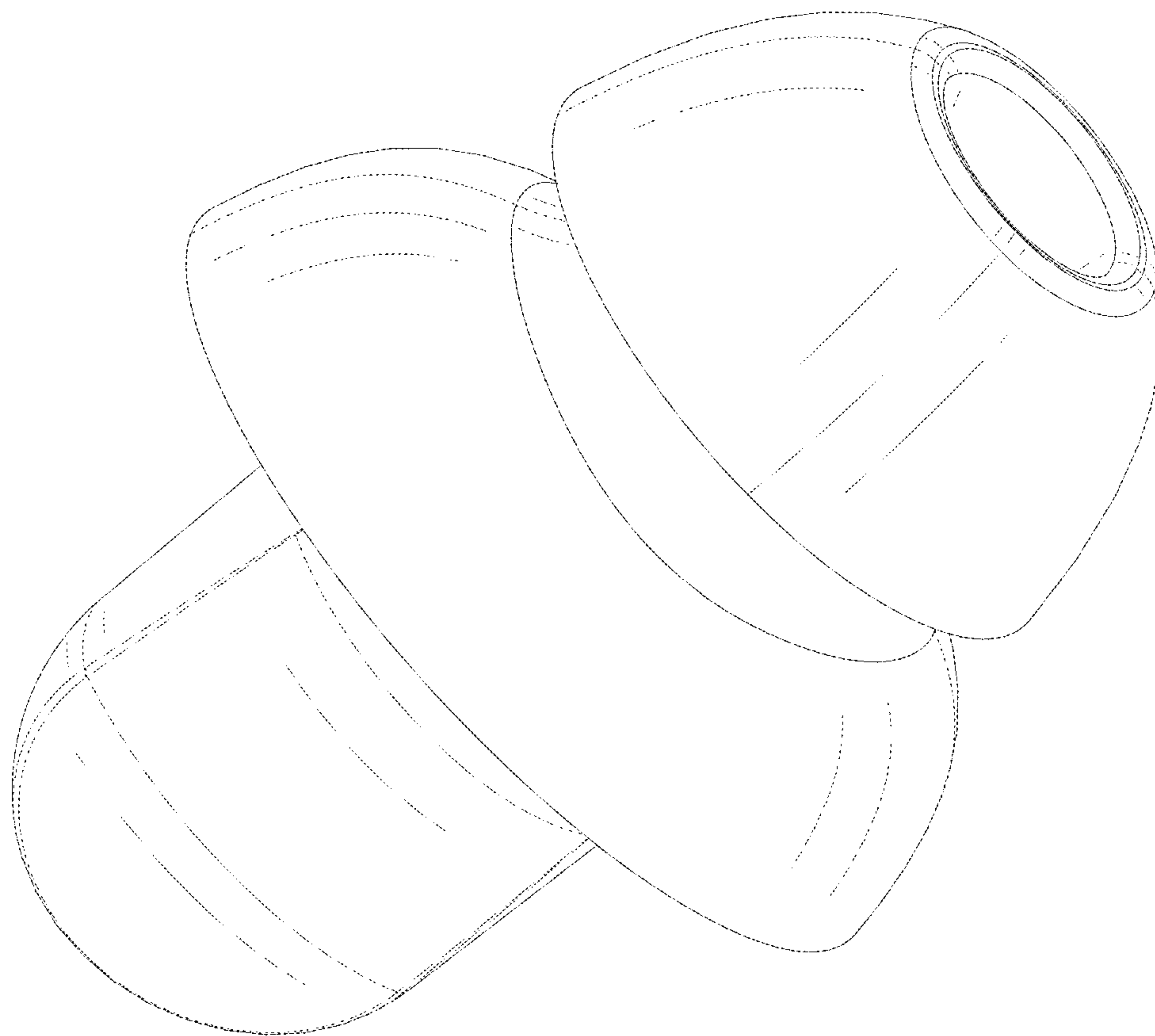


FIG. 1

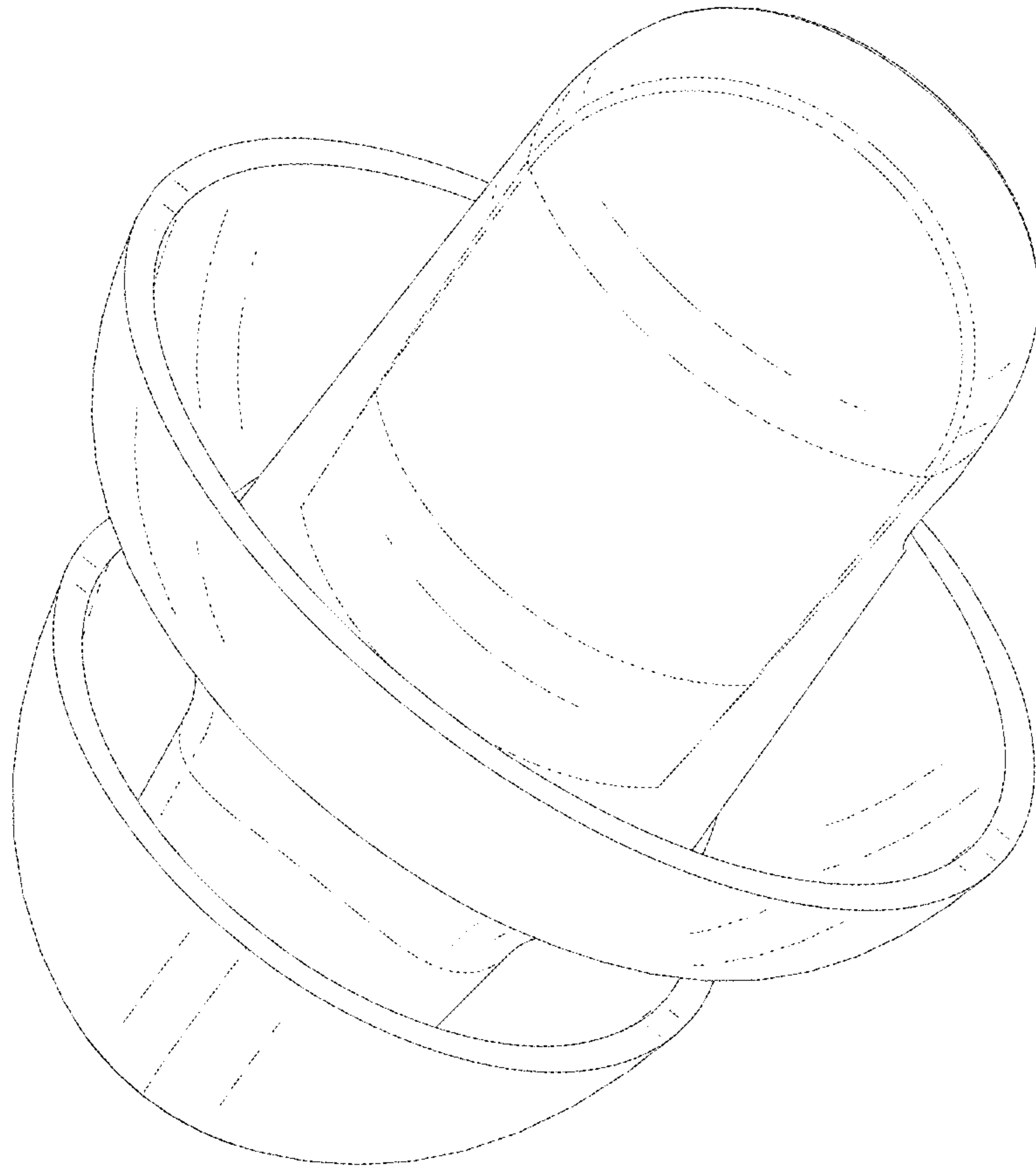


FIG. 2

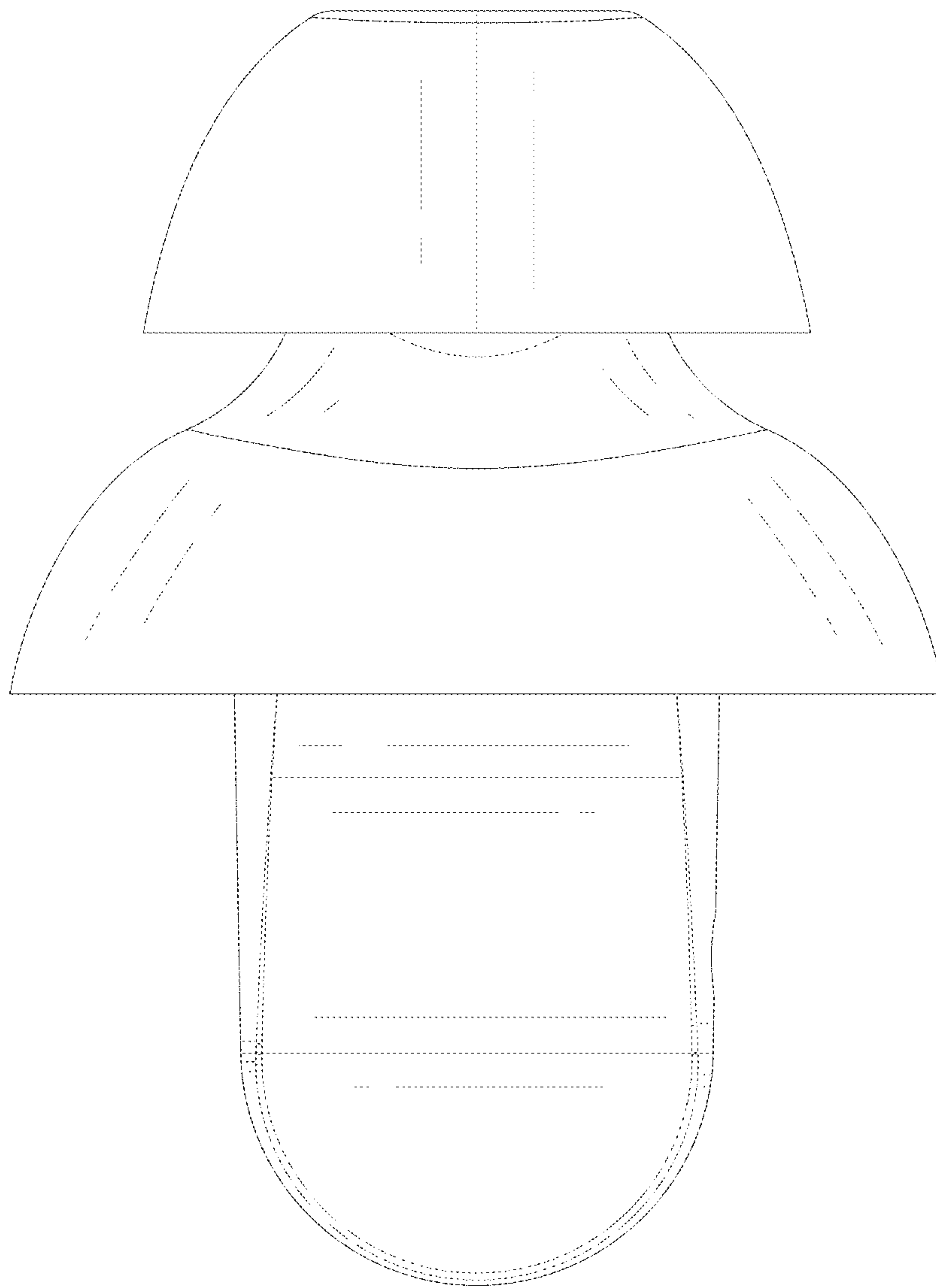


FIG. 3

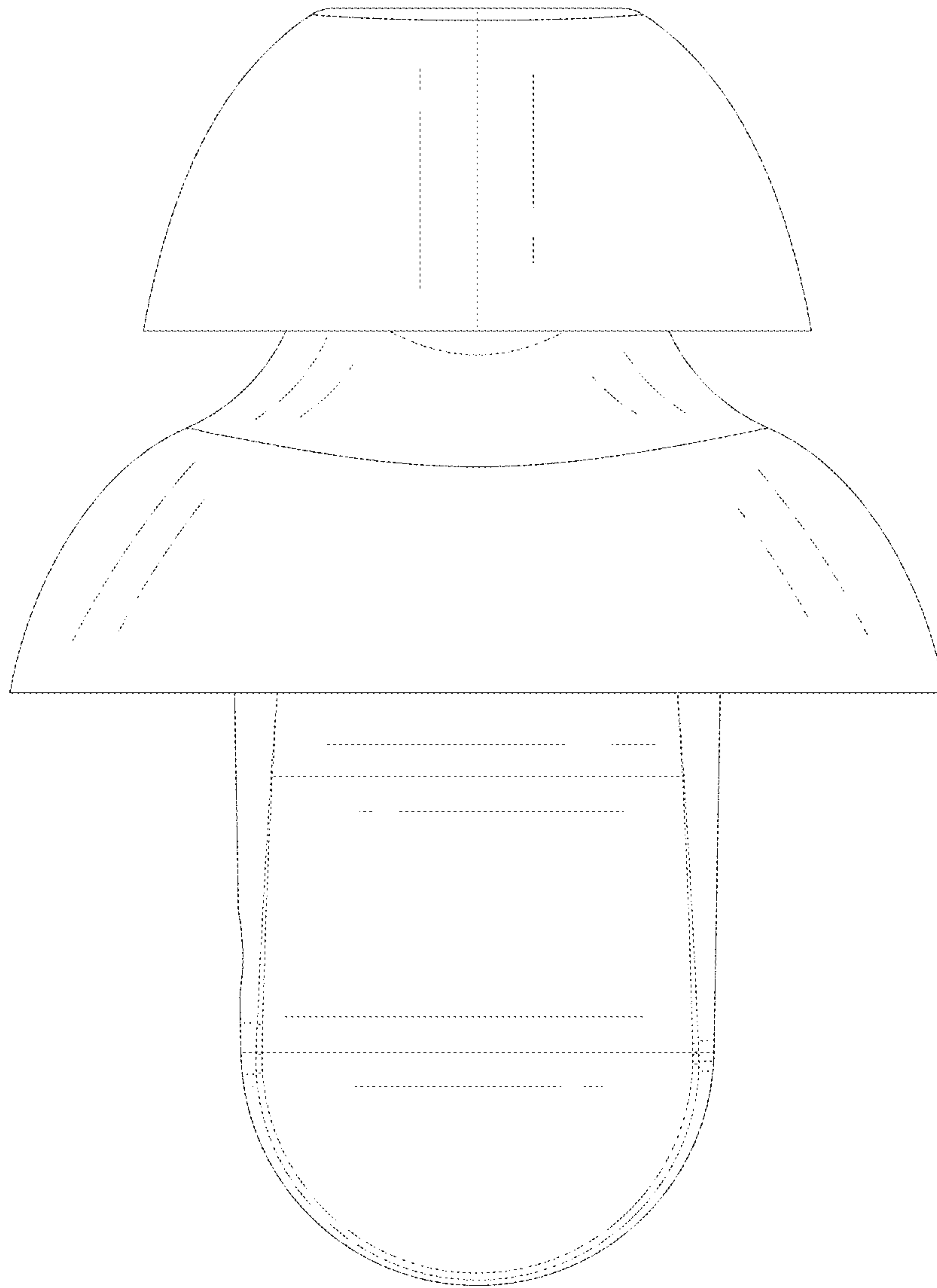


FIG. 4

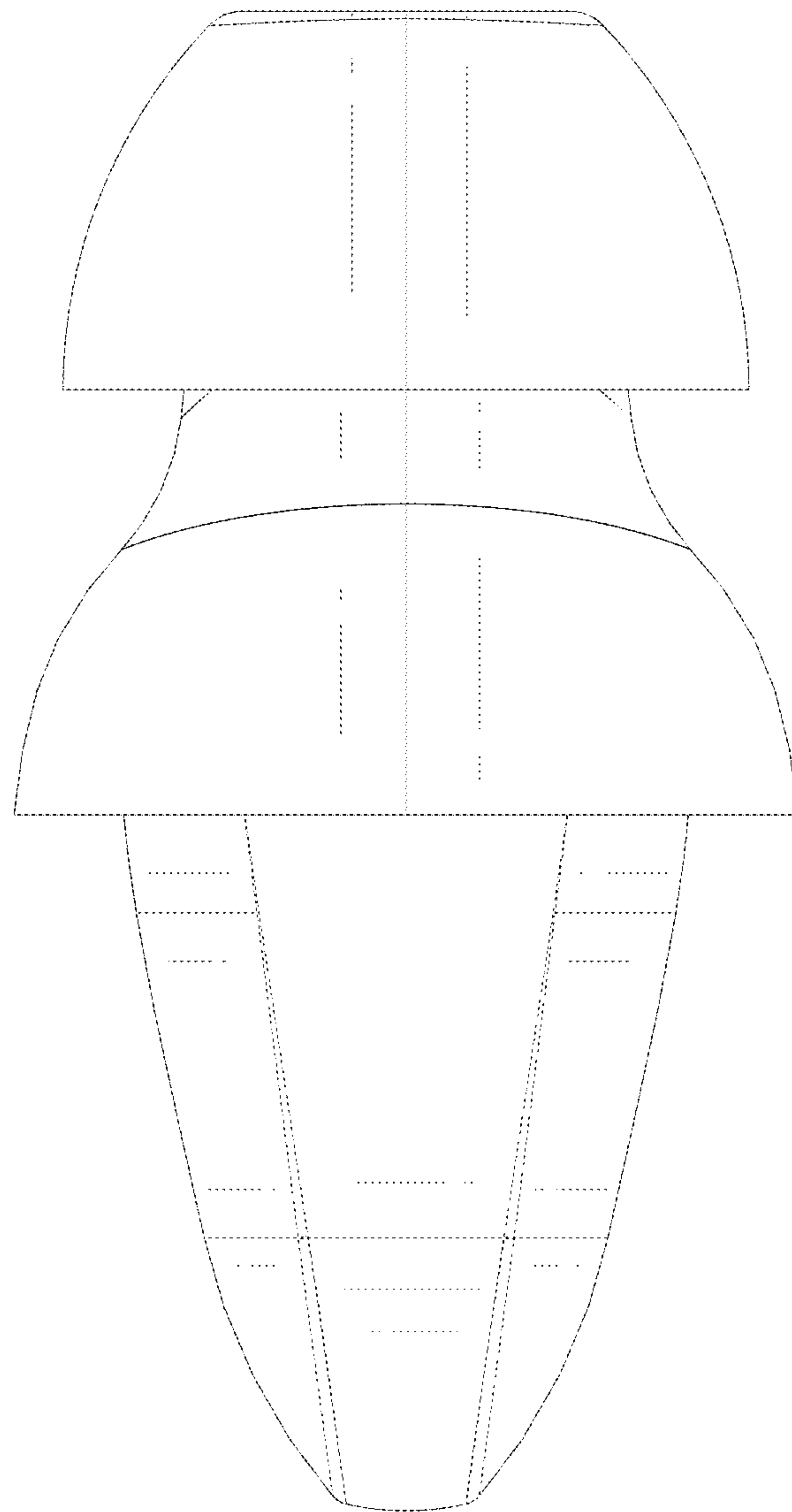


FIG. 5

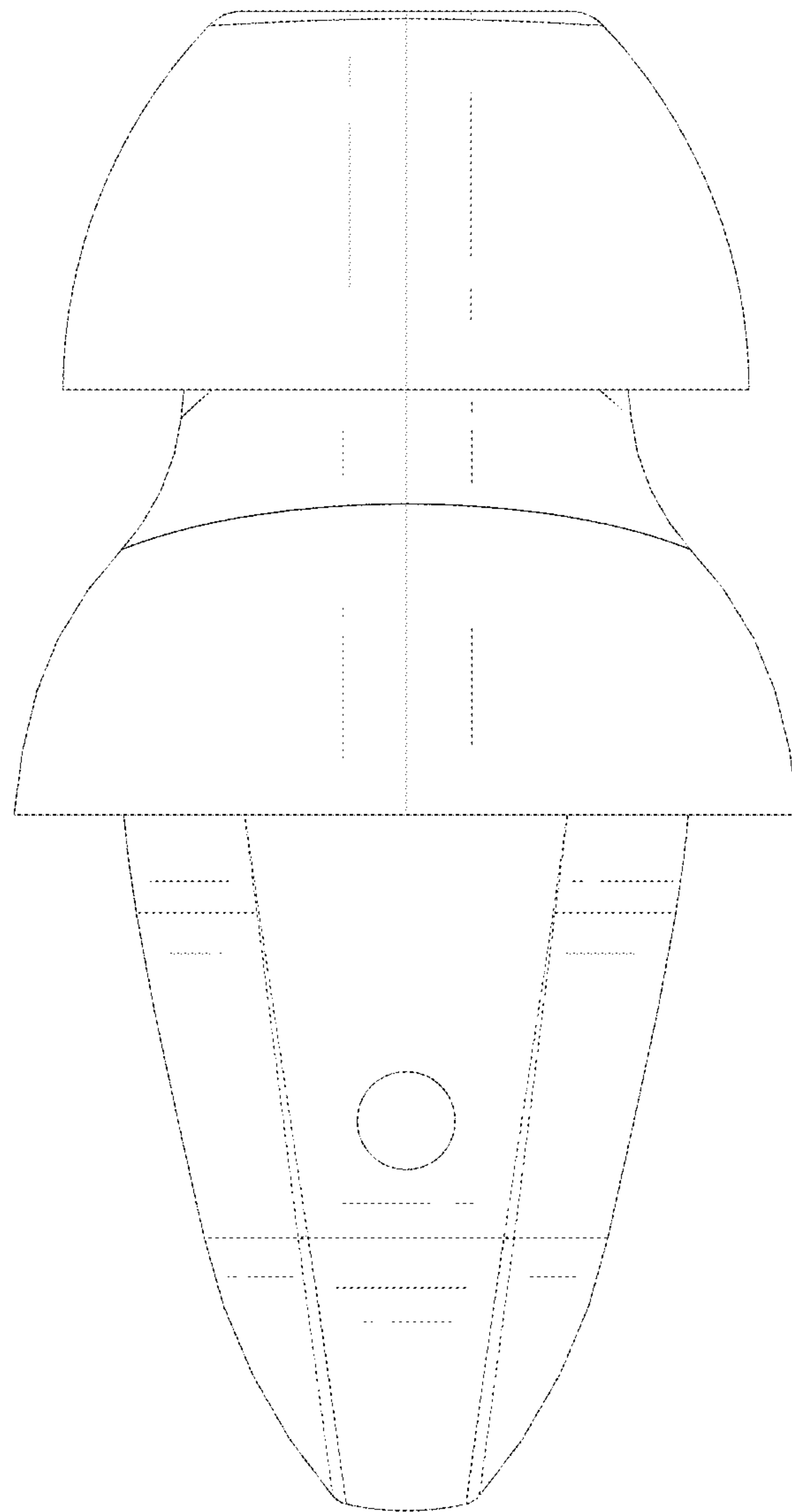


FIG. 6

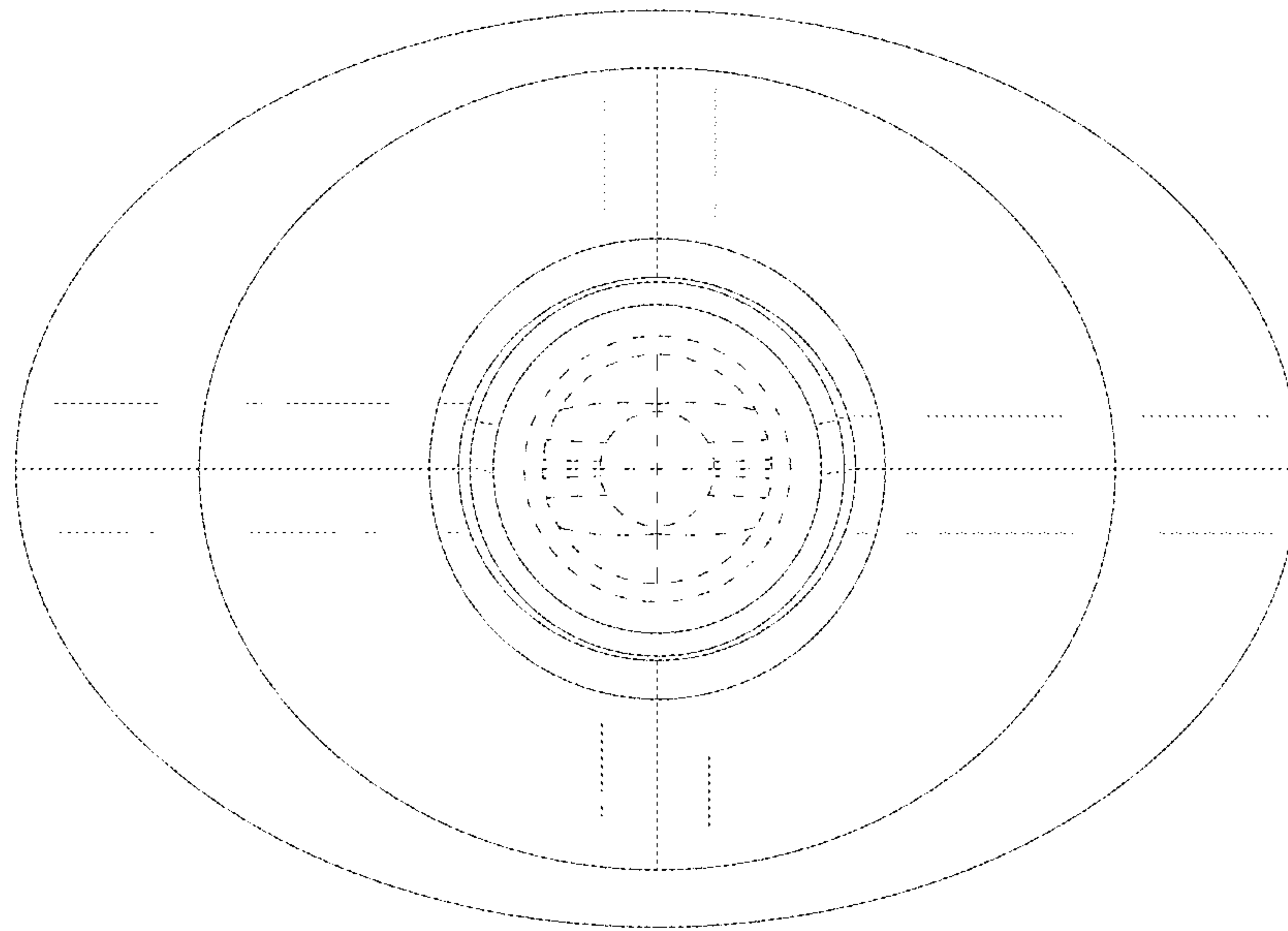


FIG. 7

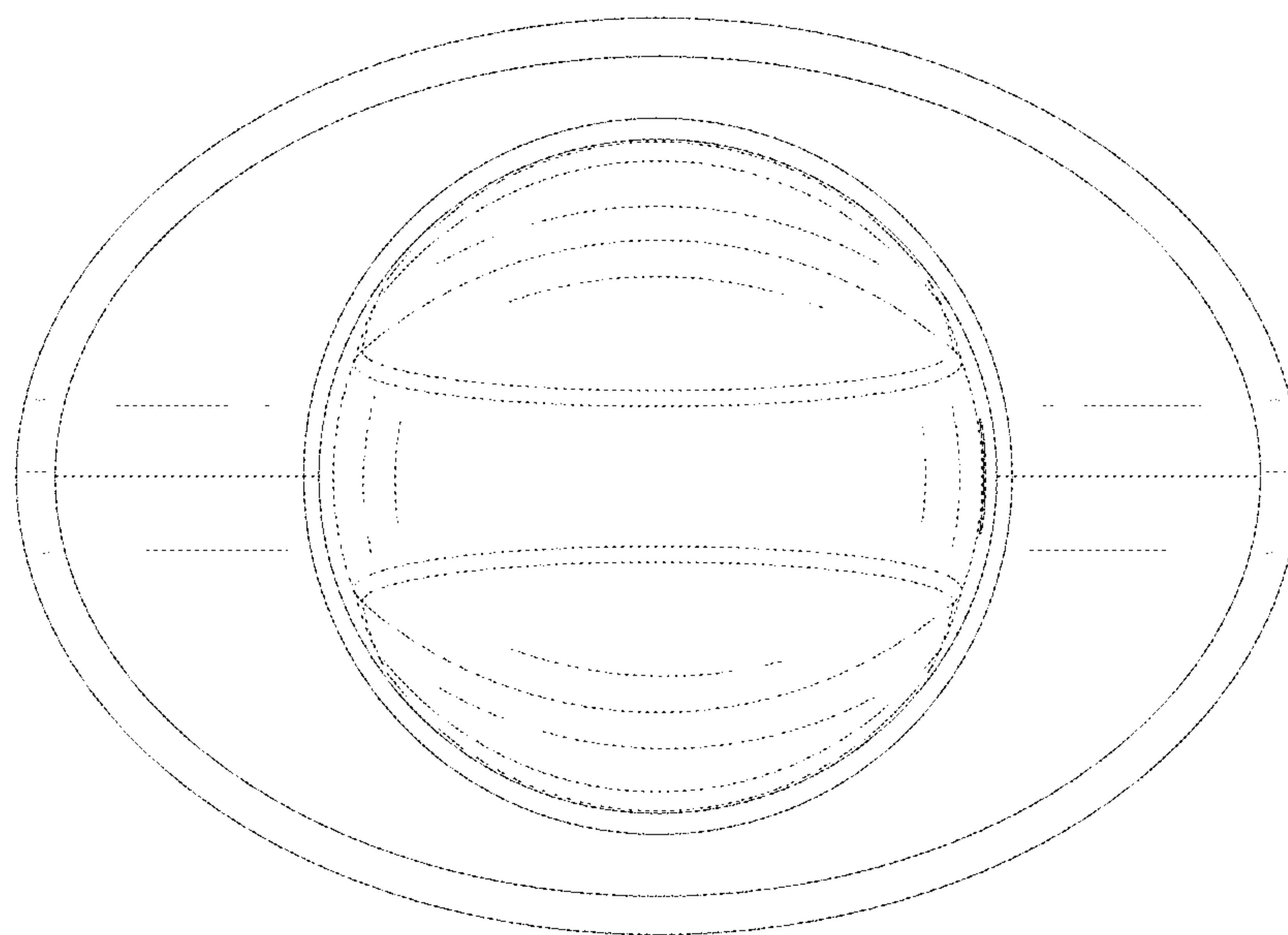


FIG. 8