



US00D968368S

(12) **United States Design Patent** (10) **Patent No.:** **US D968,368 S**
Li (45) **Date of Patent:** **** Nov. 1, 2022**

(54) **EARPHONE**

(71) Applicant: **SHENZHEN SHI KISB ELECTRONIC CO., LTD.**, Shenzhen (CN)

(72) Inventor: **Yongli Li**, Shenzhen (CN)

(73) Assignee: **SHENZHEN SHI KISB ELECTRONIC CO., LTD.**, Shenzhen (CN)

(**) Term: **15 Years**

(21) Appl. No.: **29/774,787**

(22) Filed: **Mar. 19, 2021**

(30) **Foreign Application Priority Data**

Dec. 1, 2020 (CN) 202030734498.0

(51) **LOC (13) Cl.** **14-01**

(52) **U.S. Cl.**
USPC **D14/223**

(58) **Field of Classification Search**
USPC D14/223, 205; D24/174; 128/864-866; 381/380-381
CPC H04R 1/10; H04R 25/00; H04R 25/02; H04R 1/1066; H04R 1/1016; H04R 5/033; H04R 5/0335; H04R 1/1083; H04R 1/1058; H04R 1/1091
See application file for complete search history.

(56) **References Cited**

U.S. PATENT DOCUMENTS

D777,710 S * 1/2017 Palmborg D14/223
D778,267 S * 2/2017 Hsieh D14/223
D781,269 S * 3/2017 Choe D14/223
D782,998 S * 4/2017 Shin D14/205
D788,079 S * 5/2017 Son D14/223
D795,225 S * 8/2017 Sumii D14/223

D798,843 S * 10/2017 Valenzuela D14/223
D800,097 S * 10/2017 Chen D14/223
D801,951 S * 11/2017 Bao D14/223
D806,879 S * 1/2018 Horbinski D24/174
D809,487 S * 2/2018 Lee D14/223
D812,042 S * 3/2018 Xiao D14/223
D813,206 S * 3/2018 Tang D14/223
D824,371 S * 7/2018 Loermann D24/174
D841,627 S * 2/2019 Wen D14/223
D845,932 S * 4/2019 Lu D14/223
D847,126 S * 4/2019 Loermann D14/223
D852,782 S * 7/2019 Bergman D14/223
D858,489 S * 9/2019 Hu D14/223
D863,260 S * 10/2019 Zheng D14/223

(Continued)

FOREIGN PATENT DOCUMENTS

CN 306391058 * 3/2021
CN 306695463 * 7/2021

(Continued)

Primary Examiner — Paula Allen Greene
(74) *Attorney, Agent, or Firm* — Jeenam Park

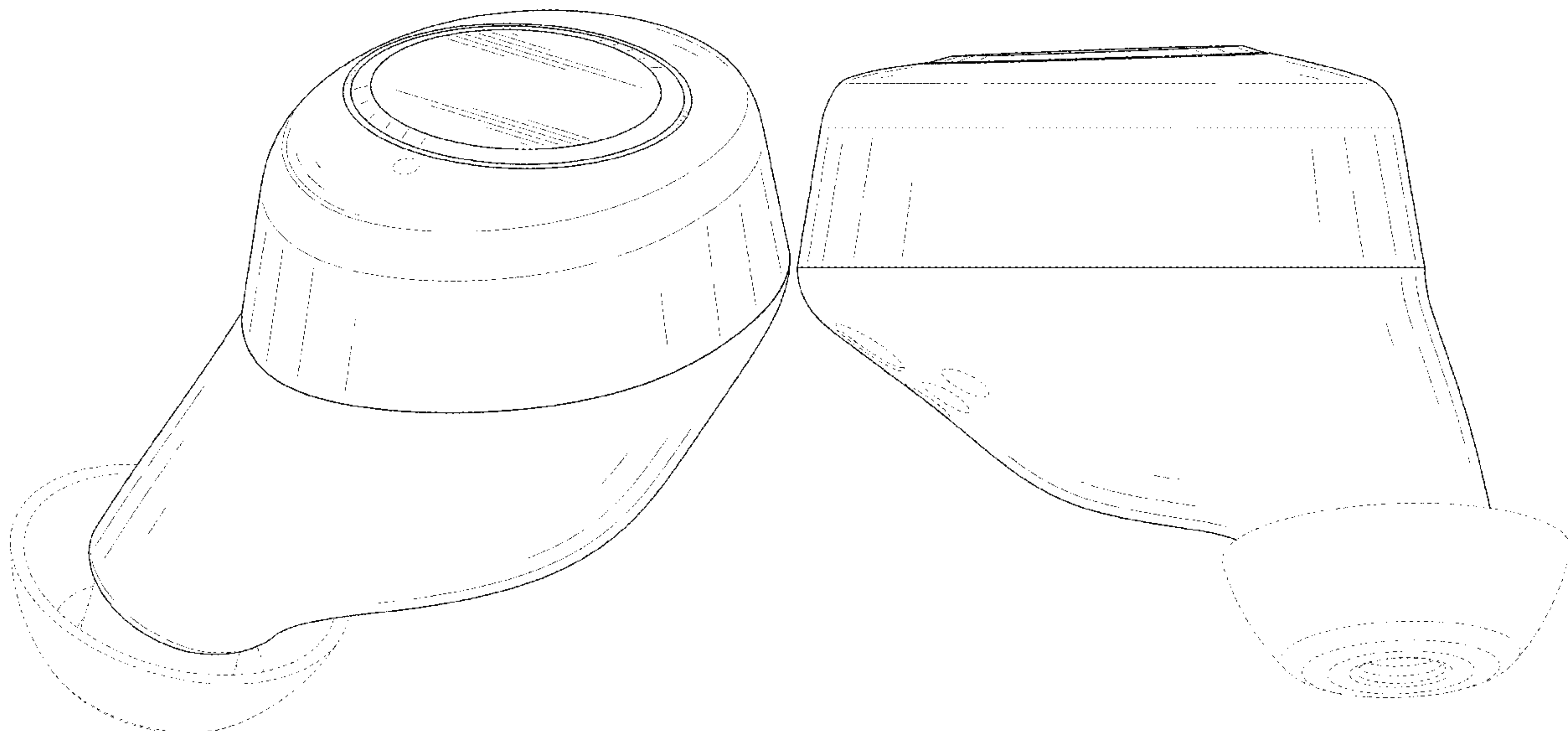
(57) **CLAIM**

The ornamental design for an earphone, as shown and described.

DESCRIPTION

FIG. 1 is a perspective view of an earphone showing my new design;
FIG. 2 is another perspective view thereof;
FIG. 3 is a front elevational view thereof;
FIG. 4 is a rear elevational view thereof;
FIG. 5 is a left side elevational view thereof;
FIG. 6 is a right side elevational view thereof;
FIG. 7 is a top plan view thereof; and,
FIG. 8 is a bottom plan view thereof.
The broken lines in the drawings depict portions of the earphone that form no part of the claimed design.

1 Claim, 8 Drawing Sheets



(56)

References Cited

U.S. PATENT DOCUMENTS

D864,167 S * 10/2019 Wu D14/223
 D868,729 S * 12/2019 Czaniecki D14/223
 D868,752 S * 12/2019 Zhu D14/223
 D870,707 S * 12/2019 Yang D14/223
 D871,376 S * 12/2019 Zhou D14/223
 D873,248 S * 1/2020 Weicheng D14/223
 D875,714 S * 2/2020 Kim D14/205
 D879,074 S * 3/2020 Komiya D14/223
 D880,457 S * 4/2020 Zhu D14/223
 D883,257 S * 5/2020 Duddy D14/223
 D883,261 S * 5/2020 Zhang D14/223
 D884,681 S * 5/2020 Zhang D14/223
 D885,372 S * 5/2020 Wang D14/223
 D887,395 S * 6/2020 Wang D14/223
 D889,441 S * 7/2020 Lin D14/223
 D892,085 S * 8/2020 Kim D14/223
 D895,580 S * 9/2020 Yu D14/223
 D897,319 S * 9/2020 Wang D14/223
 D897,322 S * 9/2020 Wei D14/223
 D899,405 S * 10/2020 Vaclavik D14/223
 D900,064 S * 10/2020 Laffon de Mazieres D14/223
 D902,892 S * 11/2020 Liu D14/223
 10,827,249 B1 * 11/2020 Pine H04R 1/1041
 D903,638 S * 12/2020 Li D14/223

D906,292 S * 12/2020 Wang D14/223
 D908,667 S * 1/2021 He D14/223
 D917,425 S * 4/2021 Wang D14/223
 D920,958 S * 6/2021 Ye D14/223
 D922,358 S * 6/2021 Li D14/223
 D924,207 S * 7/2021 Li D14/223
 D925,492 S * 7/2021 Sugiura D14/223
 D927,466 S * 8/2021 Zhang D14/223
 D929,378 S * 8/2021 Li D14/223
 D930,622 S * 9/2021 Lin D14/223
 D941,275 S * 1/2022 Liu D14/223
 D941,278 S * 1/2022 Laffon de Mazieres D14/223
 D941,805 S * 1/2022 Li D14/223
 D942,423 S * 2/2022 Reimann D14/223
 D945,405 S * 3/2022 Rose D14/223
 D947,817 S * 4/2022 Nakamura D14/223
 D948,483 S * 4/2022 Yoneyama D14/223
 2020/0374632 A1 * 11/2020 Wang H04M 1/6066
 2022/0264215 A1 * 8/2022 Dragicevic H04R 1/1041

FOREIGN PATENT DOCUMENTS

EM 008534457-0001 * 5/2021
 EM 008662530-0002 * 8/2021
 GB 6188745 * 1/2022
 IN 342609-001-0001 * 4/2021

* cited by examiner

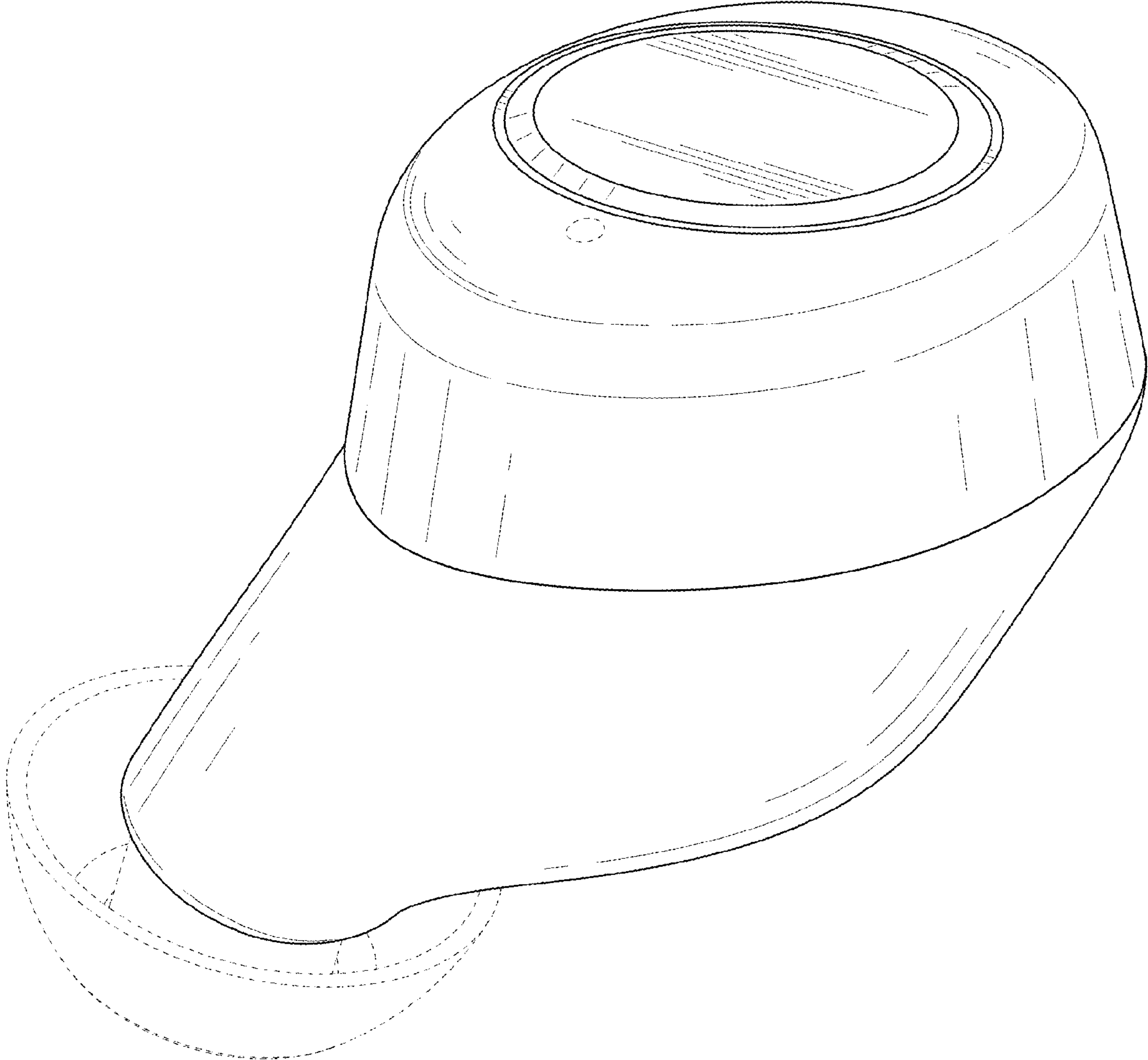


FIG. 1

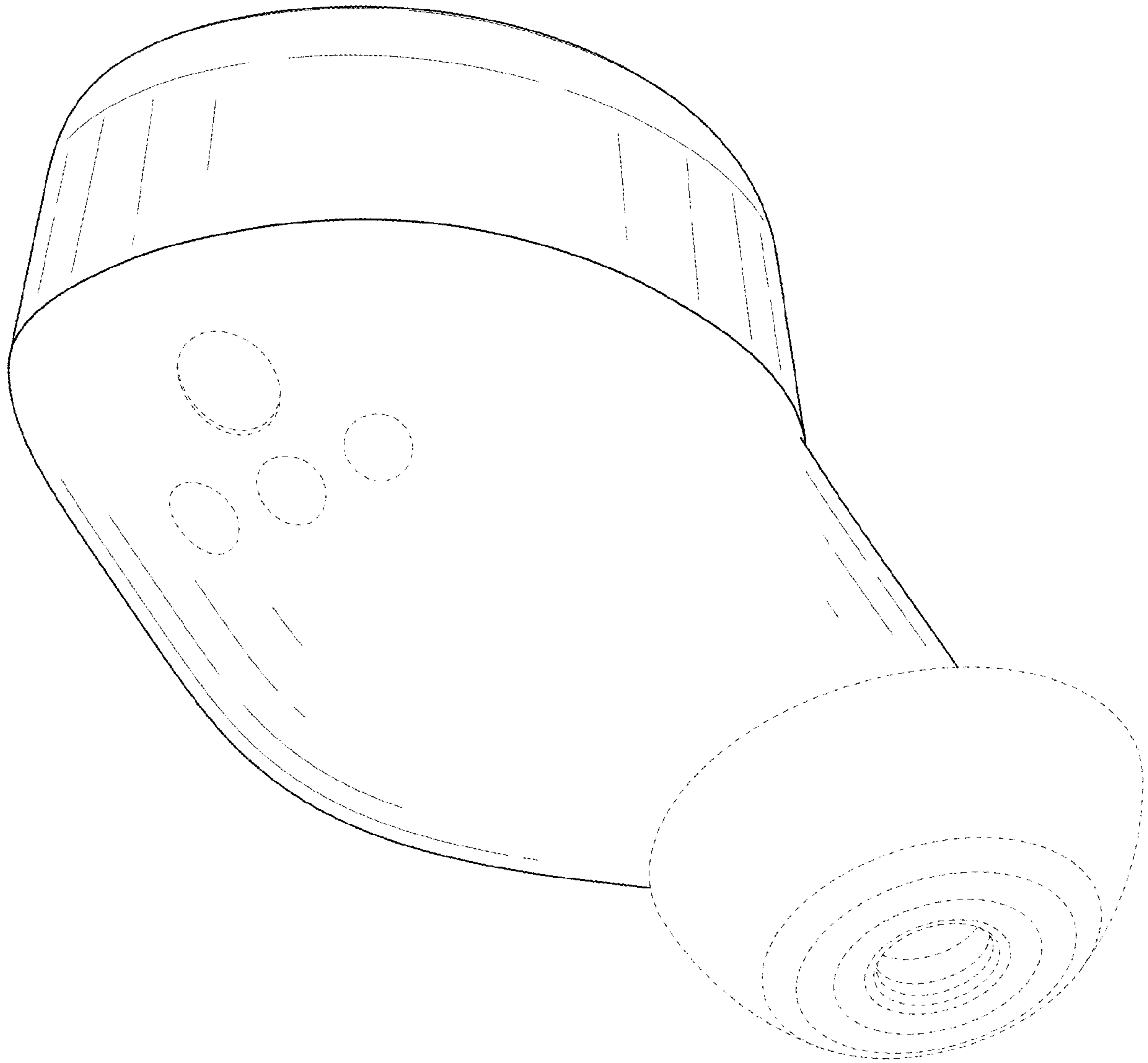


FIG. 2

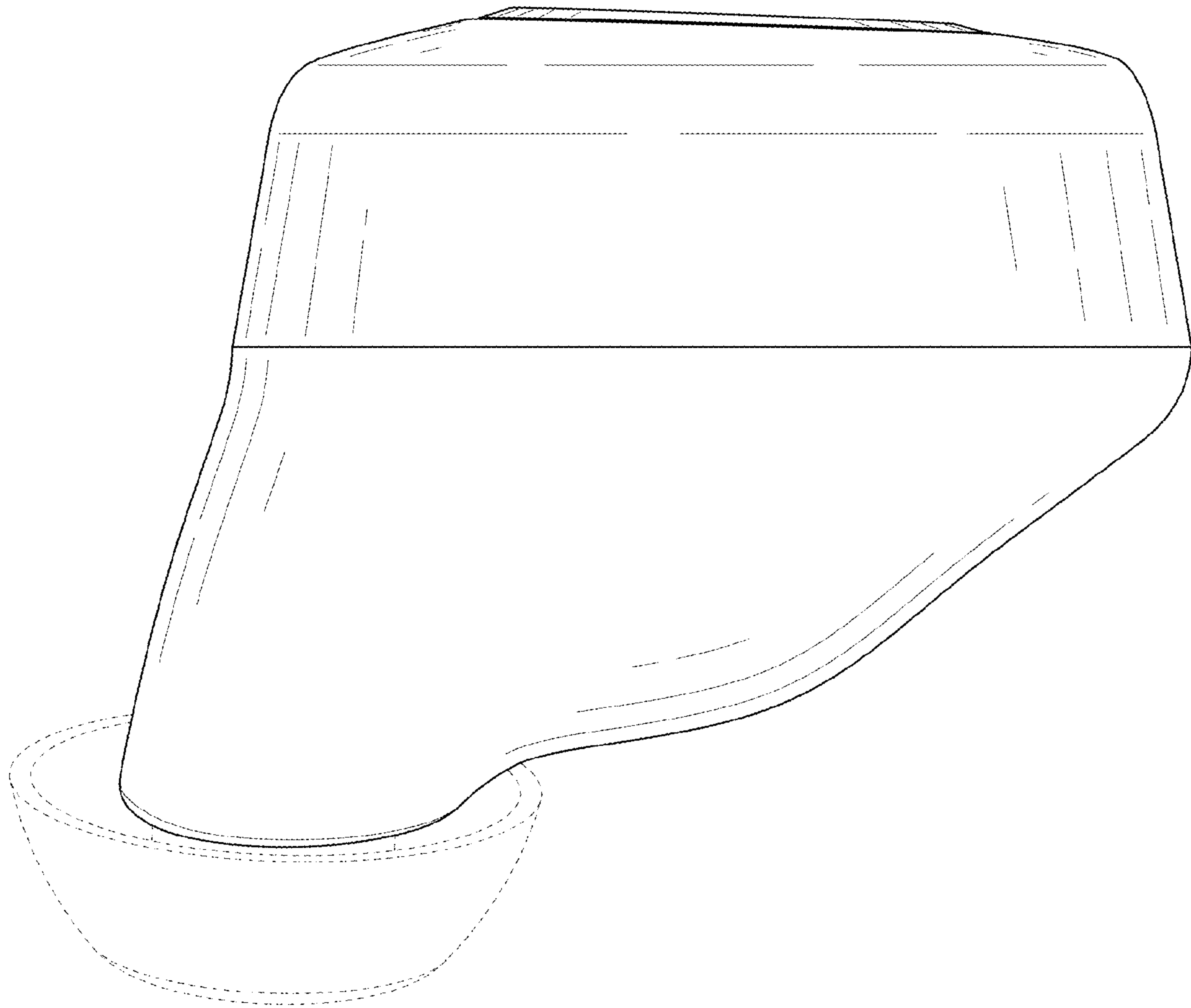


FIG. 3

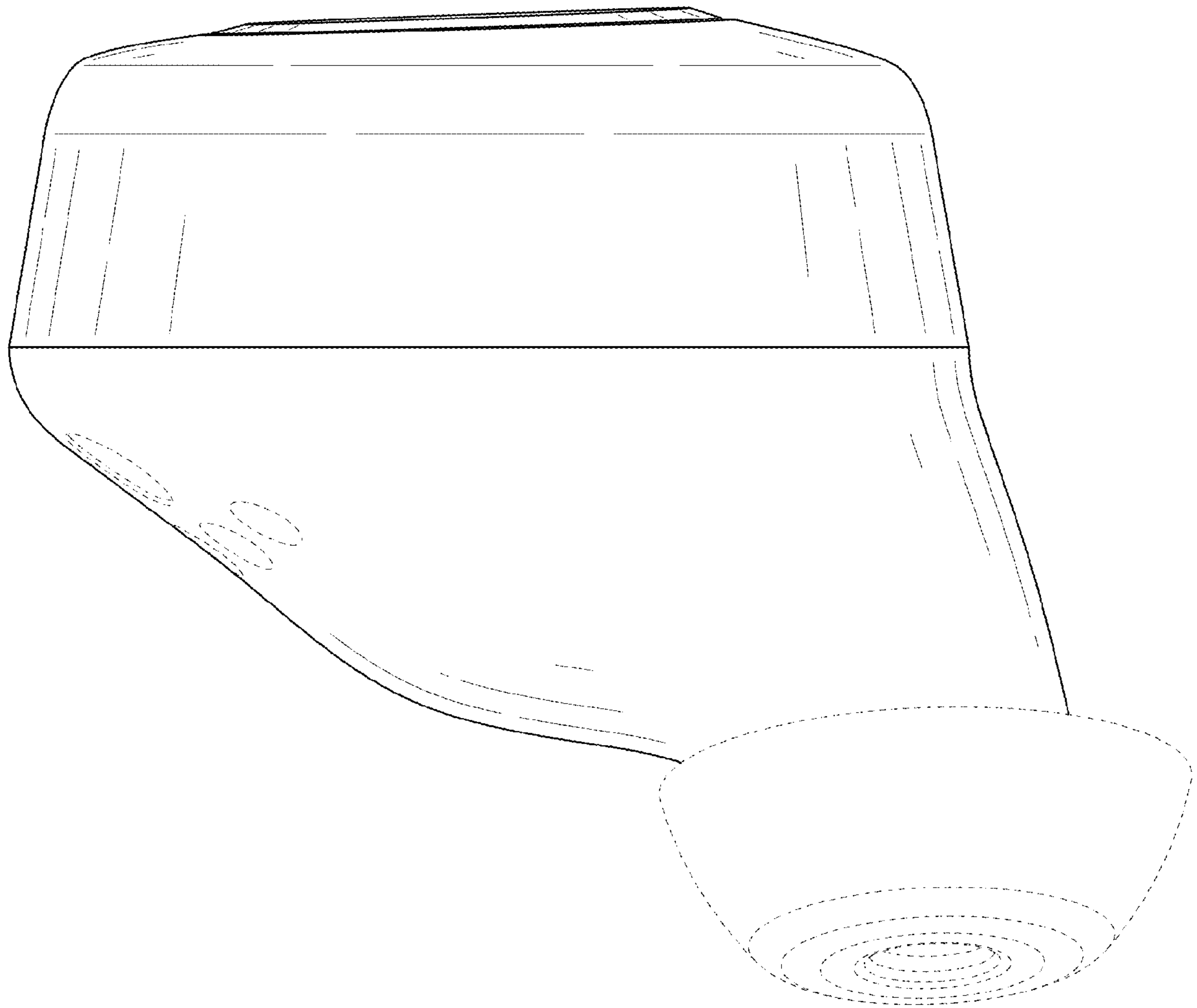


FIG. 4

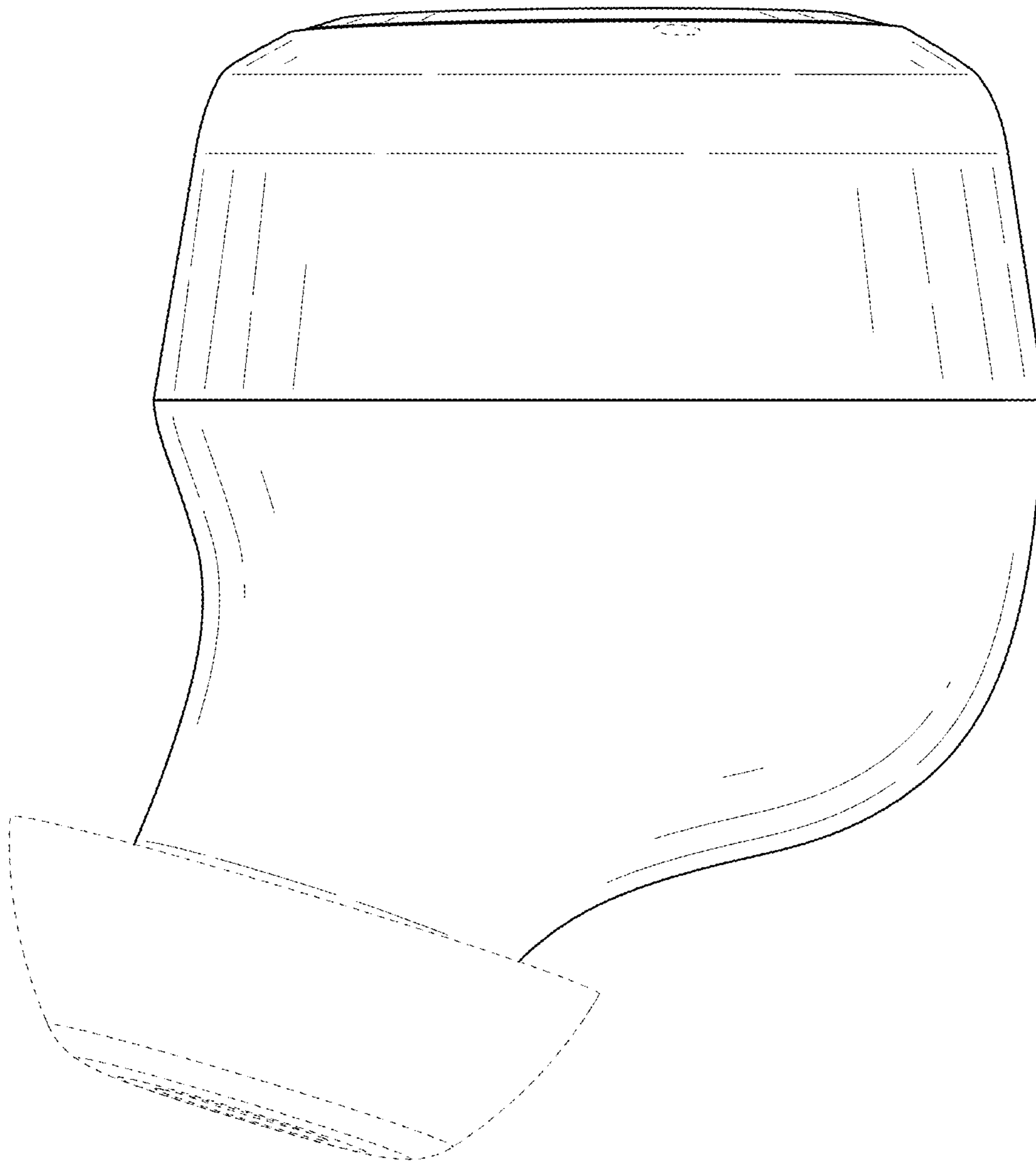


FIG. 5

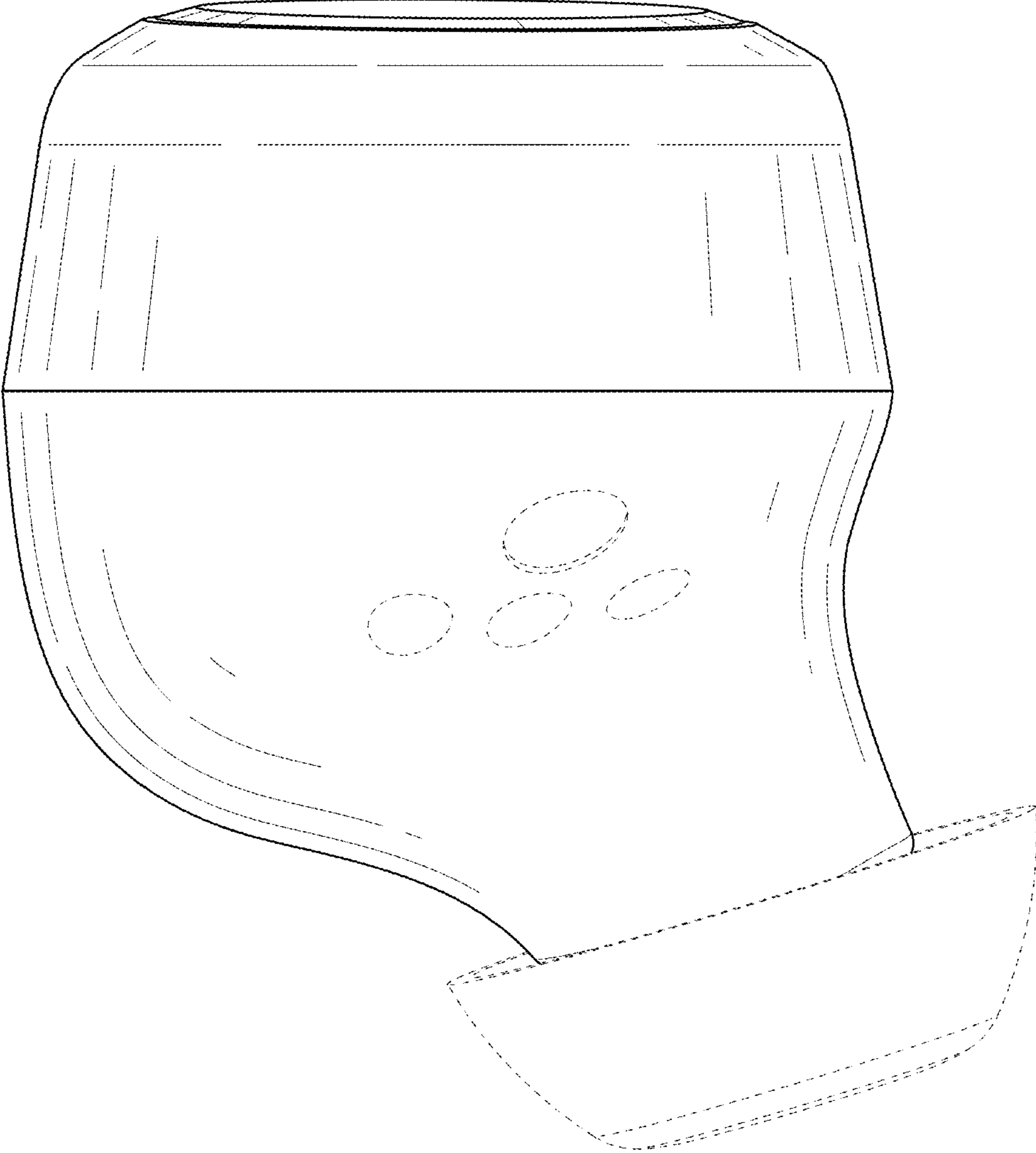


FIG. 6

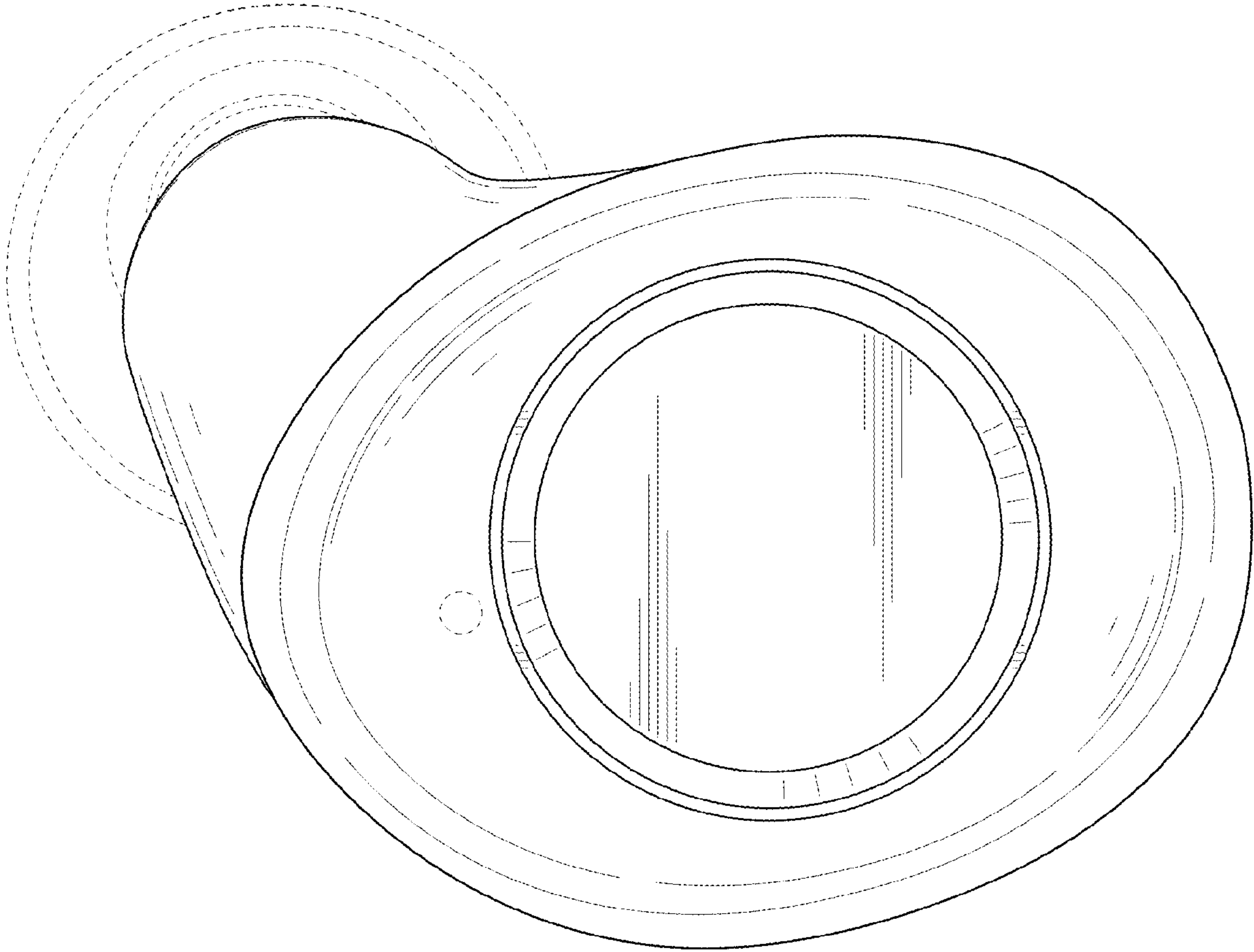


FIG. 7

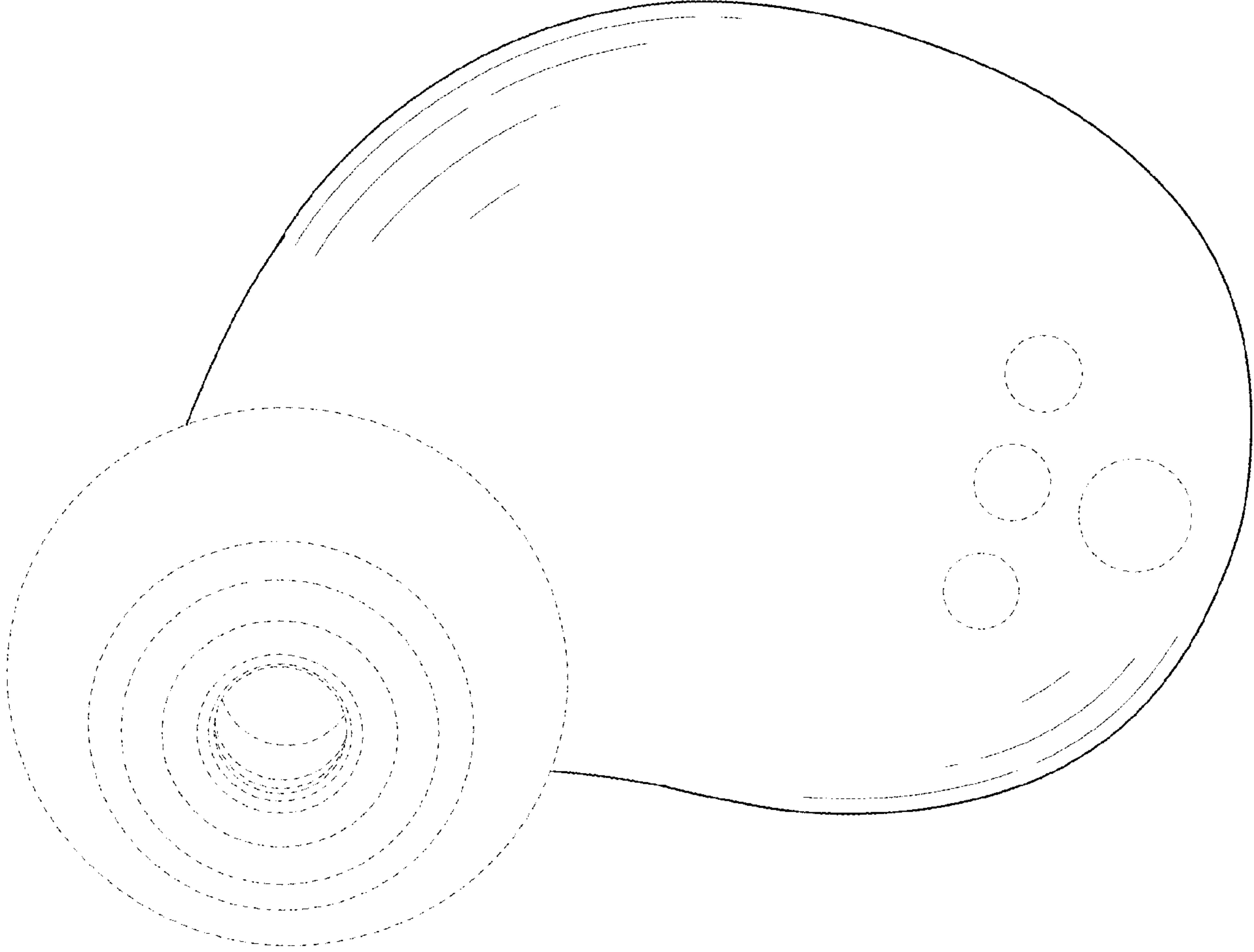


FIG. 8