



US00D968367S

(12) **United States Design Patent**  
**Lindof**

(10) **Patent No.:** **US D968,367 S**  
(45) **Date of Patent:** **\*\* Nov. 1, 2022**

(54) **HEADSET**  
(71) Applicant: **RTX A/S**, Nørresundby (DK)  
(72) Inventor: **Jens Christian Lindof**, Nørresundby (DK)  
(73) Assignee: **RTX A/S**, Nørresundby (DK)  
(\*\*) Term: **15 Years**  
(21) Appl. No.: **29/756,702**  
(22) Filed: **Oct. 30, 2020**  
(30) **Foreign Application Priority Data**  
May 1, 2020 (EM) ..... 007854161-0001  
May 1, 2020 (EM) ..... 007854161-0003  
May 1, 2020 (EM) ..... 007854161-0005

(51) **LOC (13) Cl.** ..... **14-01**  
(52) **U.S. Cl.**  
USPC ..... **D14/206**; D14/226  
(58) **Field of Classification Search**  
USPC ..... D14/206, 205, 226, 188, 192; D29/112;  
2/209; 381/380, 381, 374; 455/90.3,  
455/575.1, 569.1  
CPC ..... H04R 25/00; H04R 25/02; H04R 1/10;  
H04R 1/1066; H04R 1/1016; H04R  
5/033; H04R 5/0335; H04R 19/04; H04R  
1/1008  
See application file for complete search history.

(56) **References Cited**  
U.S. PATENT DOCUMENTS  
6,356,635 B1 \* 3/2002 Lyman ..... H04R 1/083  
379/430  
D494,154 S \* 8/2004 Polito ..... D14/206  
D494,957 S \* 8/2004 Rath ..... D14/206  
D498,470 S \* 11/2004 Skulley ..... D14/206  
D505,413 S \* 5/2005 Skulley ..... D14/223

6,952,481 B2 \* 10/2005 Larsen ..... H04M 1/05  
381/74  
6,965,681 B2 \* 11/2005 Almqvist ..... H04R 1/1041  
381/371  
D514,086 S \* 1/2006 Skulley ..... D14/206  
D517,528 S \* 3/2006 Skulley ..... D14/206  
7,106,873 B1 \* 9/2006 Harrison ..... A61N 1/36038  
381/330  
D530,307 S \* 10/2006 Rath ..... D14/206  
D530,702 S \* 10/2006 Pritchard ..... D14/206  
D531,165 S \* 10/2006 Rath ..... D14/206  
D535,285 S \* 1/2007 Skulley ..... D14/205  
D538,785 S \* 3/2007 Skulley ..... D14/206  
D540,778 S \* 4/2007 Thompson ..... D14/206  
7,391,863 B2 \* 6/2008 Viduya ..... H04M 1/05  
379/430  
7,519,196 B2 \* 4/2009 Bech ..... H04R 1/105  
381/371  
D601,543 S \* 10/2009 Bentley ..... D14/206  
D602,001 S \* 10/2009 Bentley ..... D14/206  
D602,002 S \* 10/2009 Asai ..... D14/206  
D612,835 S \* 3/2010 Yang ..... D14/206

(Continued)

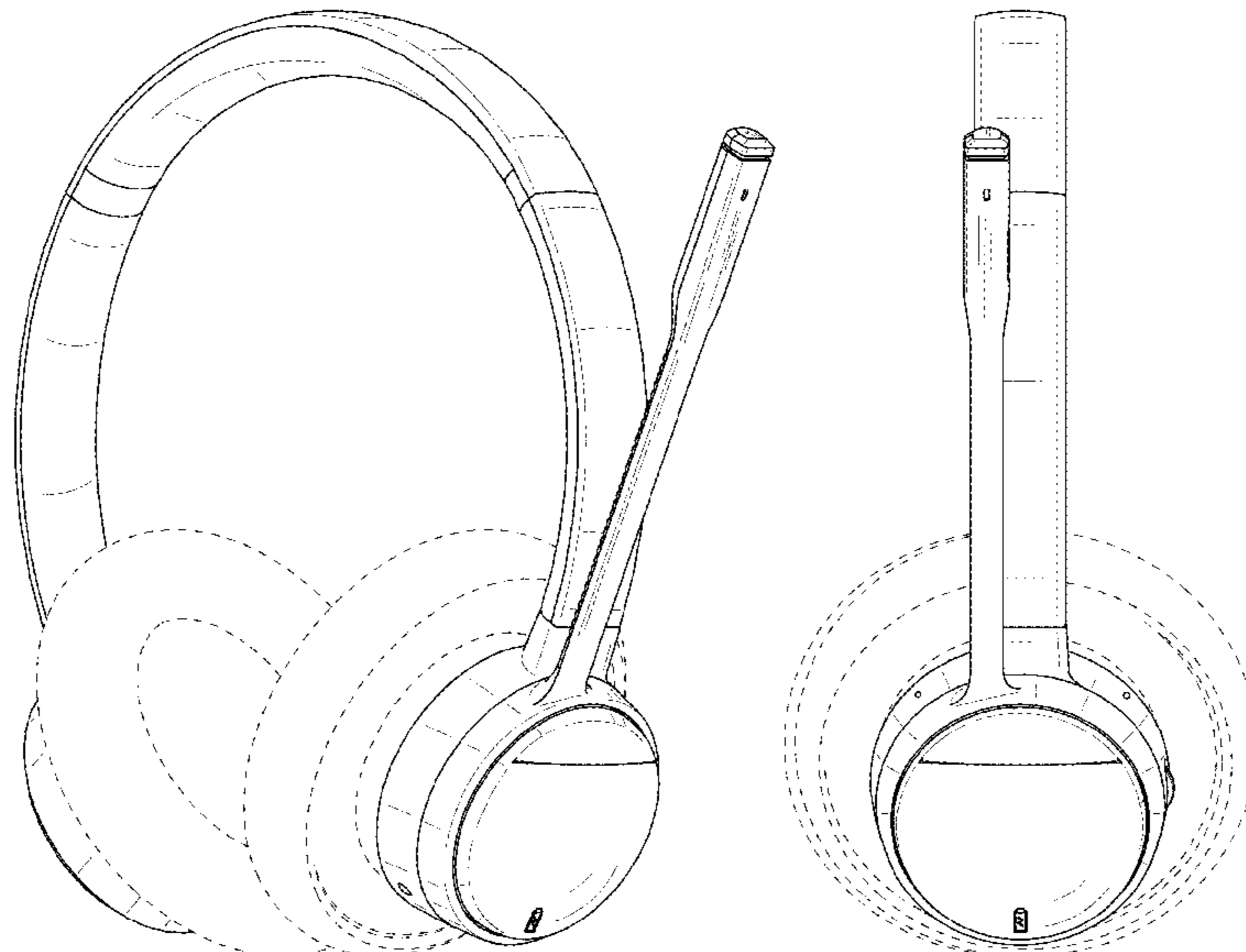
*Primary Examiner* — Paula Allen Greene  
(74) *Attorney, Agent, or Firm* — Merchant & Gould P.C.

(57) **CLAIM**  
The ornamental design for a headset, as shown and described.

**DESCRIPTION**

FIG. 1 is a front perspective view of a headset showing my new design;  
FIG. 2 is a front view;  
FIG. 3 is a first side view;  
FIG. 4 is a second side view;  
FIG. 5 is a rear view;  
FIG. 6 is a top view; and,  
FIG. 7 is a bottom view.  
The broken lines in the Figures depict portions of the headset that form no part of the claimed design.

**1 Claim, 7 Drawing Sheets**



(56)

References Cited

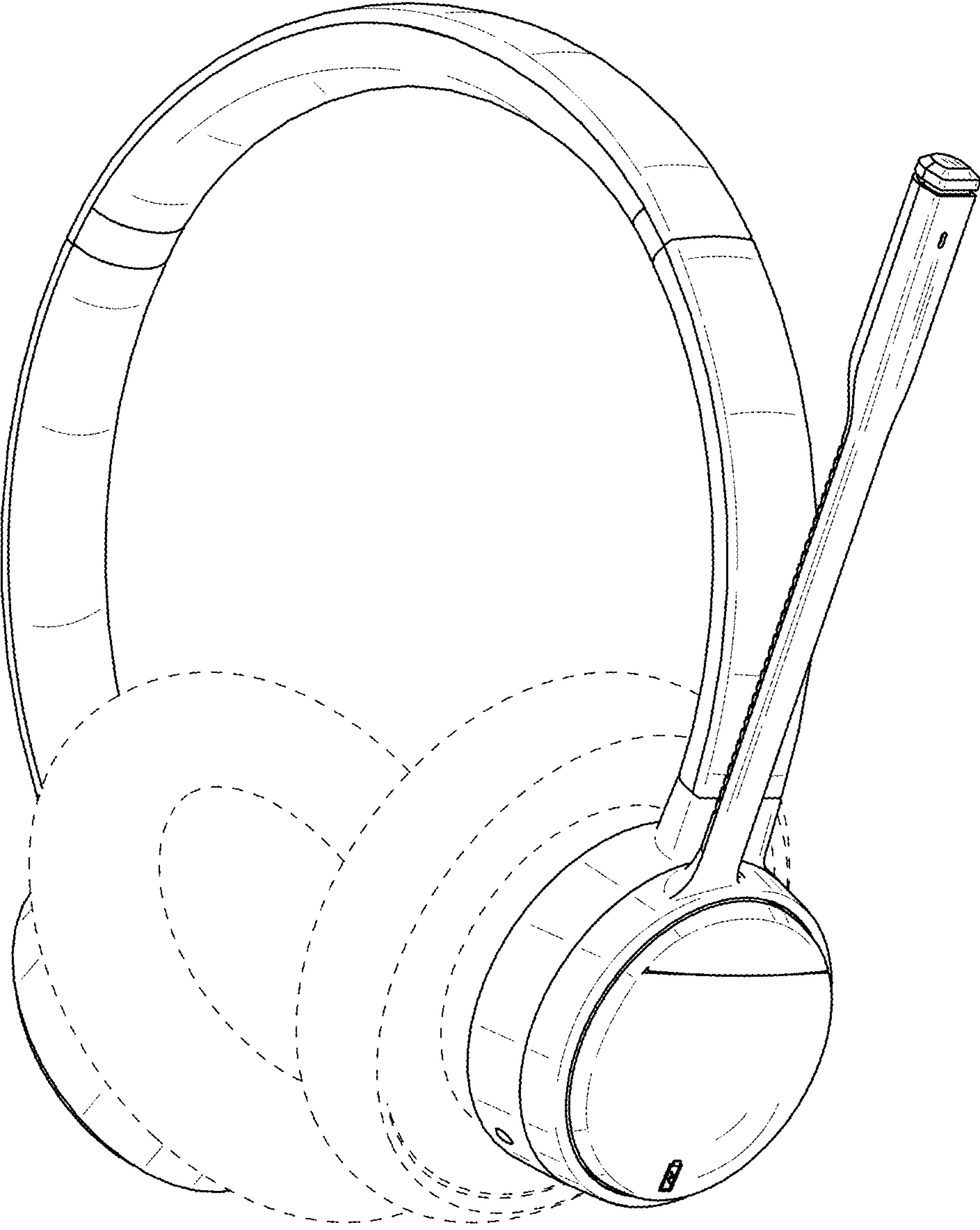
U.S. PATENT DOCUMENTS

D628,189 S \* 11/2010 Rath ..... D14/206  
 D638,000 S \* 5/2011 Hoggarth ..... D14/206  
 D641,337 S \* 7/2011 Brandis ..... D14/206  
 D643,405 S \* 8/2011 Rath ..... D14/206  
 D645,023 S \* 9/2011 Brandis ..... D14/206  
 D648,330 S \* 11/2011 Fischer ..... D14/226  
 8,061,473 B1 \* 11/2011 Kerr ..... A61F 11/008  
 181/135  
 D653,649 S \* 2/2012 Yang ..... D14/206  
 D668,240 S \* 10/2012 Brandis ..... D14/206  
 D673,524 S \* 1/2013 Brennwald ..... D14/206  
 D681,014 S \* 4/2013 Ham ..... D14/223  
 D684,145 S \* 6/2013 Rath ..... D14/224  
 D712,875 S \* 9/2014 Katori ..... D14/206  
 D716,259 S \* 10/2014 Awiszus ..... D14/206  
 D719,135 S \* 12/2014 Kelley ..... D14/205  
 D732,002 S \* 6/2015 Goransson ..... D14/206  
 D760,690 S \* 7/2016 Gecawicz ..... D14/206  
 D806,676 S \* 1/2018 Fuglsang ..... D14/206  
 D822,638 S \* 7/2018 Liu ..... D14/206  
 D851,628 S \* 6/2019 Wernblad ..... D14/206

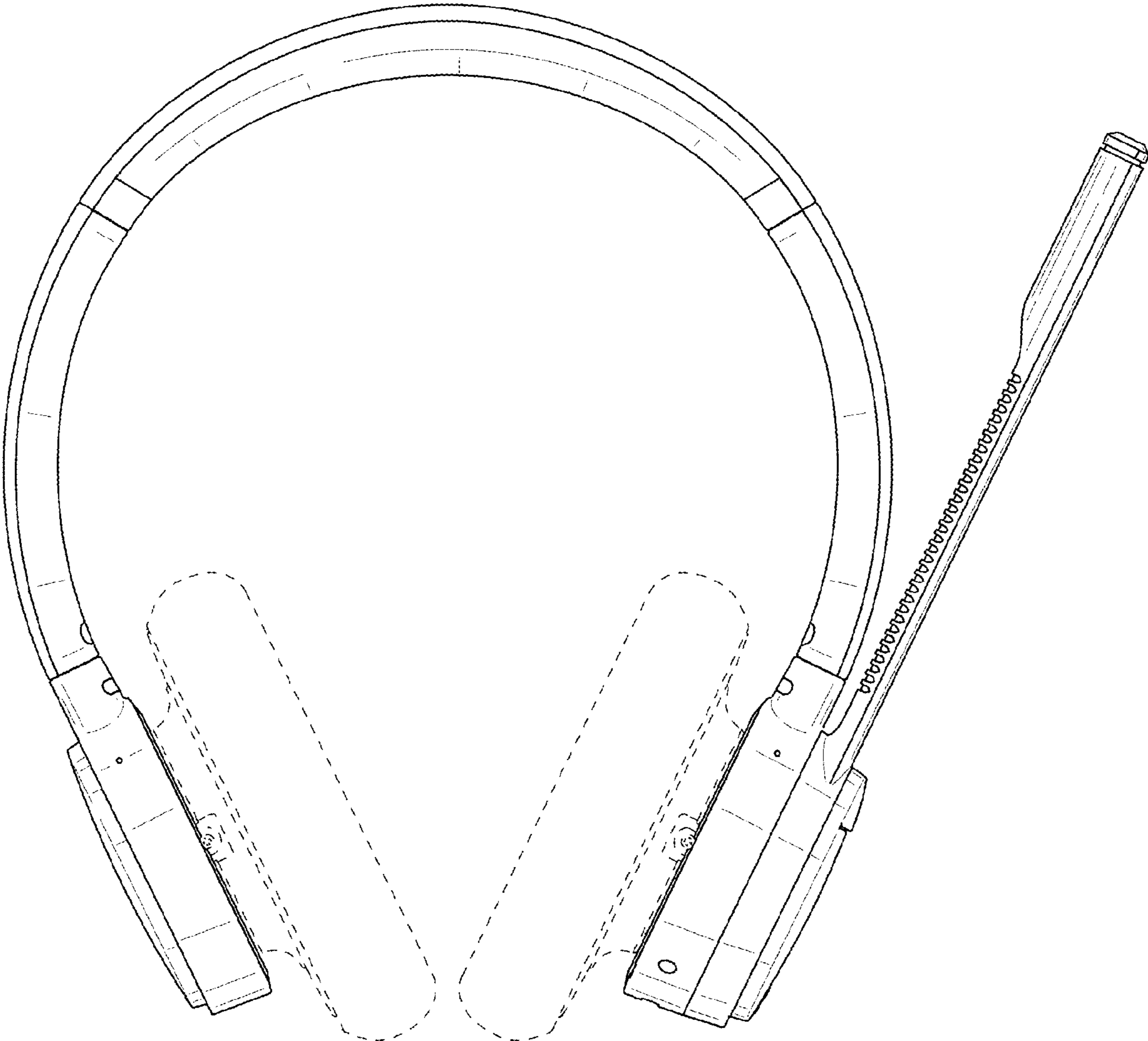
D866,508 S \* 11/2019 Lindof ..... D14/206  
 D866,509 S \* 11/2019 Lindof ..... D14/206  
 D866,510 S \* 11/2019 Lindof ..... D14/206  
 D866,513 S \* 11/2019 Lindof ..... D14/206  
 D866,514 S \* 11/2019 Lindof ..... D14/206  
 D875,073 S \* 2/2020 Pedersen ..... D14/206  
 D893,446 S \* 8/2020 Rodriguez ..... D14/192  
 D898,701 S \* 10/2020 Zhong ..... D14/206  
 D926,724 S \* 8/2021 D'Ambrosio ..... D14/205  
 D927,451 S \* 8/2021 Paterson ..... D14/205  
 D927,455 S \* 8/2021 Yang ..... D14/206  
 D927,456 S \* 8/2021 Paterson ..... D14/206  
 D927,457 S \* 8/2021 Su ..... D14/206  
 D927,458 S \* 8/2021 Su ..... D14/206  
 D927,459 S \* 8/2021 Su ..... D14/206  
 D928,116 S \* 8/2021 Su ..... D14/206  
 2011/0135134 A1 \* 6/2011 Essabar ..... H04R 1/105  
 381/374  
 2012/0163616 A1 \* 6/2012 Birch ..... H04R 1/1066  
 381/74  
 2016/0198254 A1 \* 7/2016 Gecawicz ..... H04R 1/1008  
 381/375  
 2020/0288234 A1 \* 9/2020 Fletcher ..... H04R 1/1066

\* cited by examiner

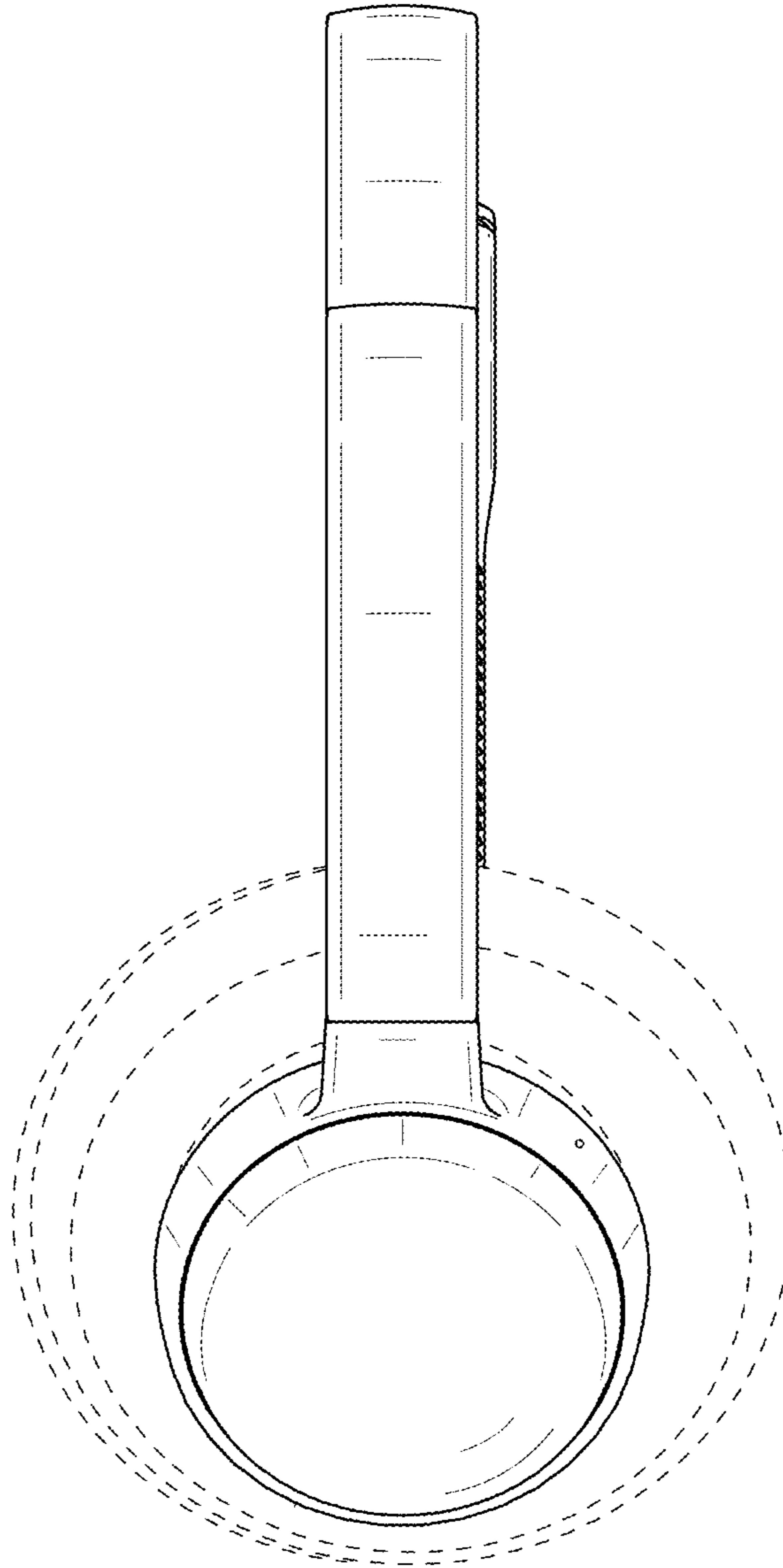
**FIG. 1**



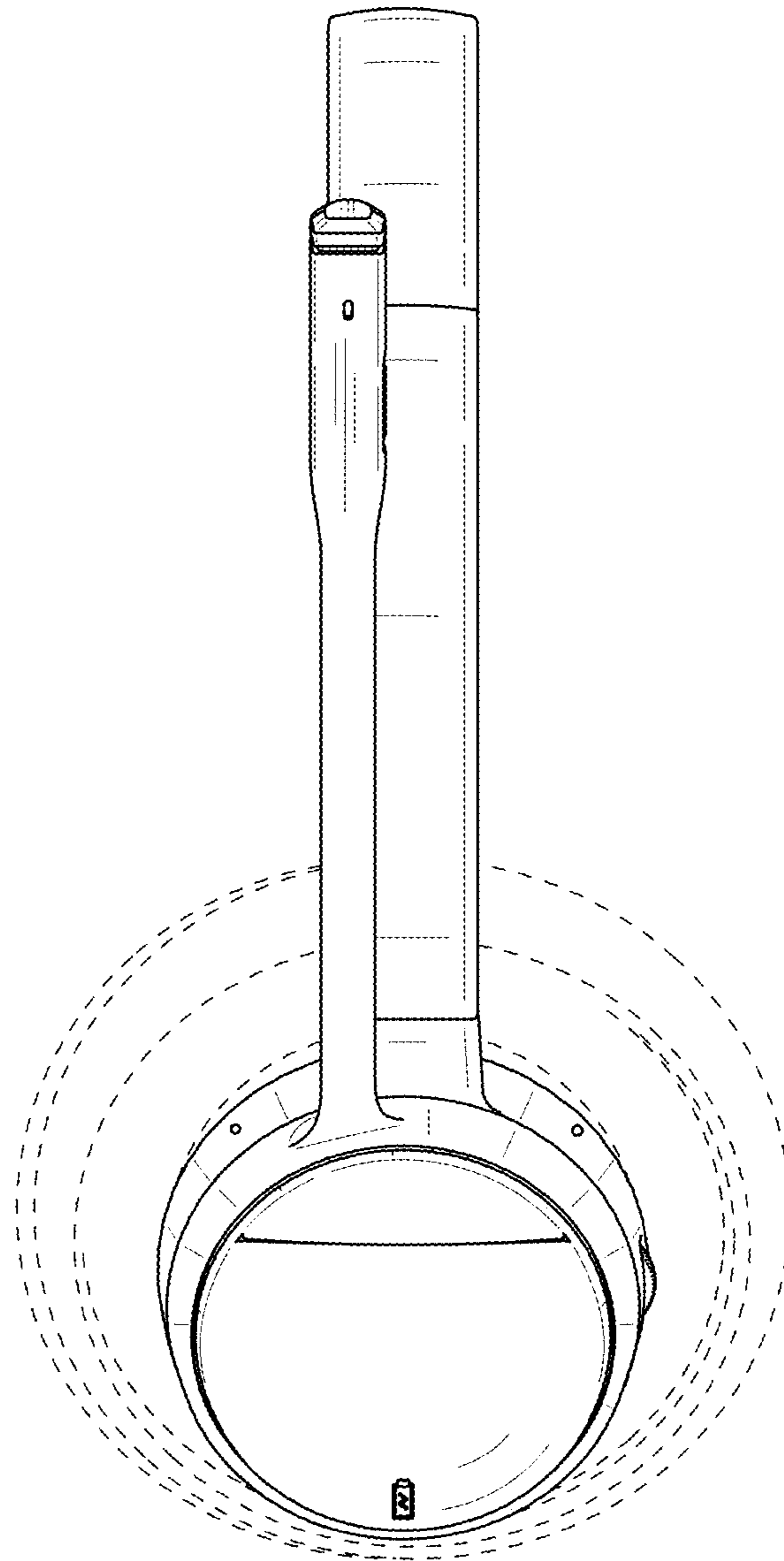
**FIG. 2**



**FIG. 3**



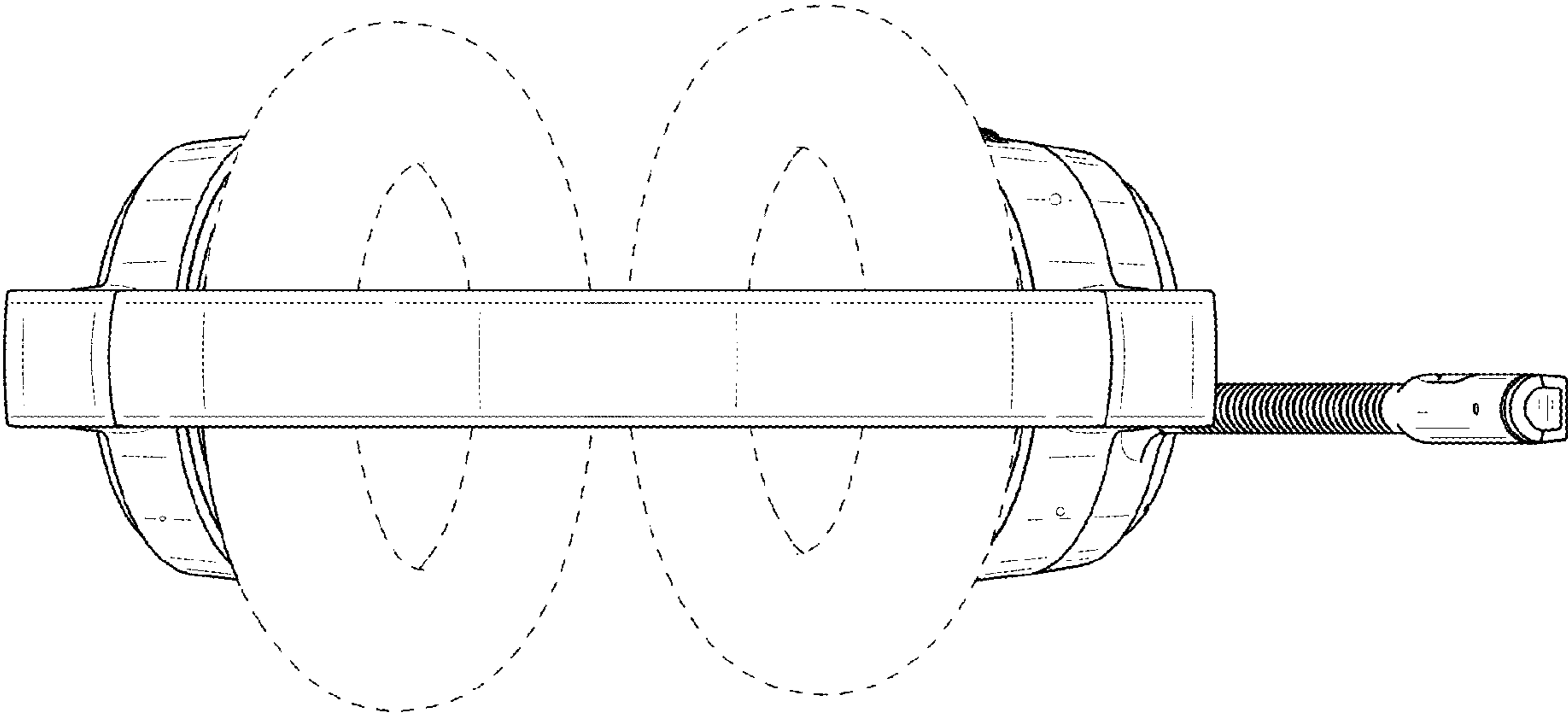
**FIG. 4**



**FIG. 5**

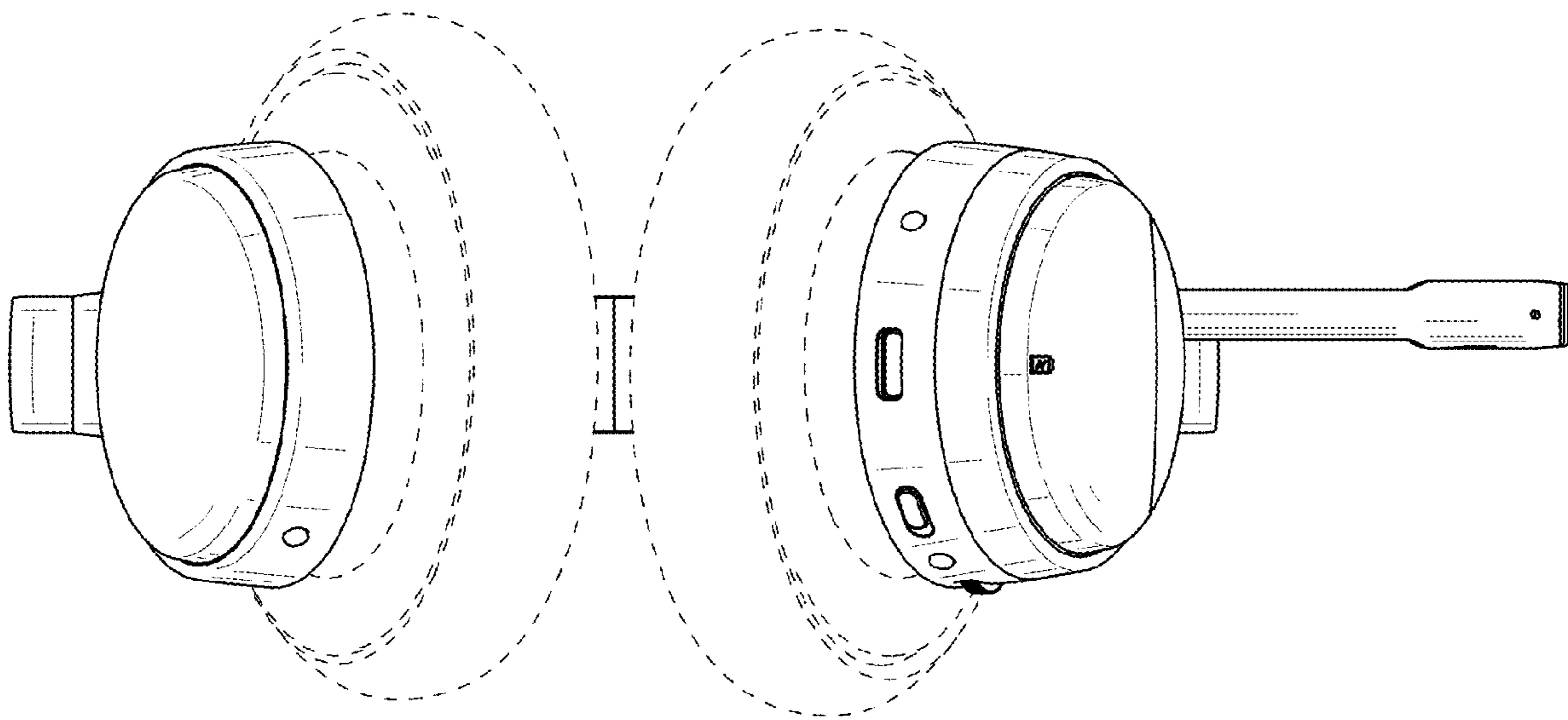


**FIG. 6**





**FIG. 7**



UNITED STATES PATENT AND TRADEMARK OFFICE  
**CERTIFICATE OF CORRECTION**

PATENT NO. : D968,367 S  
APPLICATION NO. : 29/756702  
DATED : November 1, 2022  
INVENTOR(S) : Jens Christian Lindof

Page 1 of 1

It is certified that error appears in the above-identified patent and that said Letters Patent is hereby corrected as shown below:

On the Title Page

At Column 1, Line (30) under Foreign Application Priority Data, delete:

“May 1, 2020 (EM)....007854161-0001  
May 1, 2020 (EM).....007854161-0003  
May 1, 2020 (EM)....007854161-0005”

And insert:

--May 1, 2020 (EM).....007854161--

Signed and Sealed this  
Sixteenth Day of April, 2024  
*Katherine Kelly Vidal*

Katherine Kelly Vidal  
*Director of the United States Patent and Trademark Office*