



US00D968366S

(12) **United States Design Patent**
Liu

(10) **Patent No.:** **US D968,366 S**

(45) **Date of Patent:** **** Nov. 1, 2022**

(54) **HEADPHONES**

(71) Applicant: **Ming Liu**, Ji'an (CN)

(72) Inventor: **Ming Liu**, Ji'an (CN)

(**) Term: **15 Years**

(21) Appl. No.: **29/741,975**

(22) Filed: **Jul. 17, 2020**

(51) **LOC (13) Cl.** **14-01**

(52) **U.S. Cl.**
USPC **D14/206; D14/226**

(58) **Field of Classification Search**
USPC D14/206, 226, 205, 219; D29/112;
2/209; 381/380-381, 374; D25/156
CPC H04R 25/00; H04R 25/02; H04R 1/1016;
H04R 1/1066; H04R 5/033; H04R
5/0335; H04R 1/1008; H04R 19/04;
H04R 11/04; H04R 1/10; H04R 1/105;
H04R 1/1091
See application file for complete search history.

(56) **References Cited**

U.S. PATENT DOCUMENTS

| | | | | | |
|-----------|------|---------|------------------|-------|------------------------|
| 1,076,017 | A * | 10/1913 | Chase | | E04C 2/427 52/180 |
| D215,587 | S * | 10/1969 | Bogan | | D25/155 |
| 4,420,657 | A * | 12/1983 | Larkin | | H04M 1/05 381/189 |
| D323,327 | S * | 1/1992 | Davidson | | D14/219 |
| D327,748 | S * | 7/1992 | Dorfman, Jr. | | D25/156 |
| D435,249 | S * | 12/2000 | Yasutomi | | D14/205 |
| 7,072,483 | B2 * | 7/2006 | Lenhard-Backhaus | | H04R 1/1066 381/370 |
| D534,155 | S * | 12/2006 | Obata | | D14/205 |
| D567,215 | S * | 4/2008 | Lee | | D14/205 |
| 7,388,960 | B2 * | 6/2008 | Kuo | | H04R 5/02 381/384 |
| D583,803 | S * | 12/2008 | Lum | | D14/219 |

| | | | | | |
|----------|-----|---------|------------|-------|---------|
| D618,368 | S * | 6/2010 | Jenkins | | D25/156 |
| D635,957 | S * | 4/2011 | Hirano | | D14/205 |
| D635,959 | S * | 4/2011 | Hutchieson | | D14/205 |
| D652,406 | S * | 1/2012 | Lee | | D14/205 |
| D682,805 | S * | 5/2013 | Rath | | D14/149 |
| D691,109 | S * | 10/2013 | Hardi | | D14/205 |
| D695,261 | S * | 12/2013 | Katsumata | | D14/205 |
| D703,656 | S * | 4/2014 | Witter | | D14/250 |
| D725,074 | S * | 3/2015 | Boeckel | | D14/205 |
| D727,289 | S * | 4/2015 | Czaniecki | | D14/205 |
| D728,512 | S * | 5/2015 | Nakagawa | | D14/205 |
| D746,790 | S * | 1/2016 | Strasberg | | D14/205 |
| D758,990 | S * | 6/2016 | Jiang | | D14/205 |
| D765,055 | S * | 8/2016 | Hsieh | | D14/205 |
| D831,618 | S * | 10/2018 | Lee | | D14/219 |

(Continued)

FOREIGN PATENT DOCUMENTS

| | | | |
|----|----------------|---|--------|
| EM | 005249539-0001 | * | 4/2018 |
| EM | 005357522-0001 | * | 7/2018 |

(Continued)

Primary Examiner — Paula Allen Greene

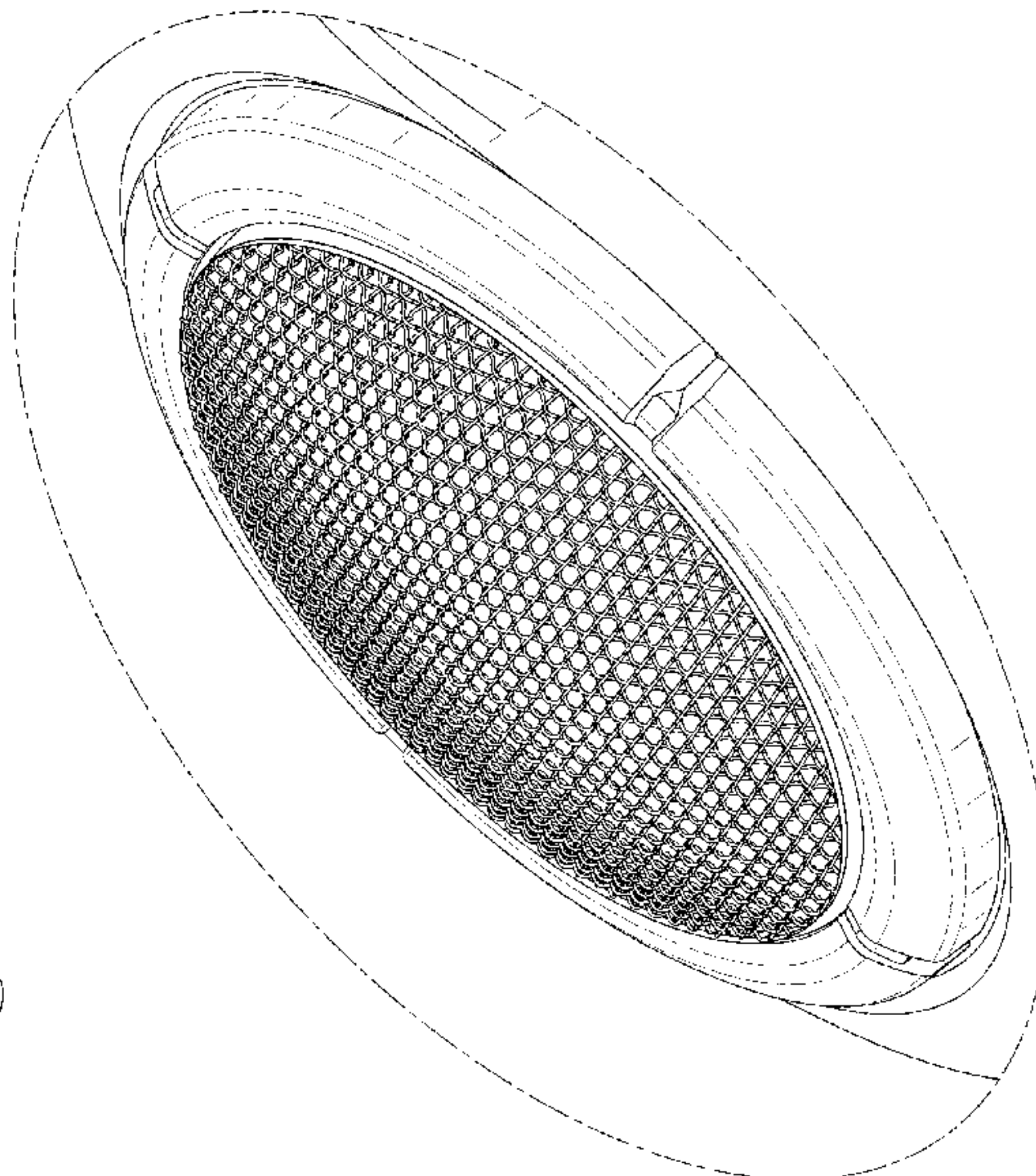
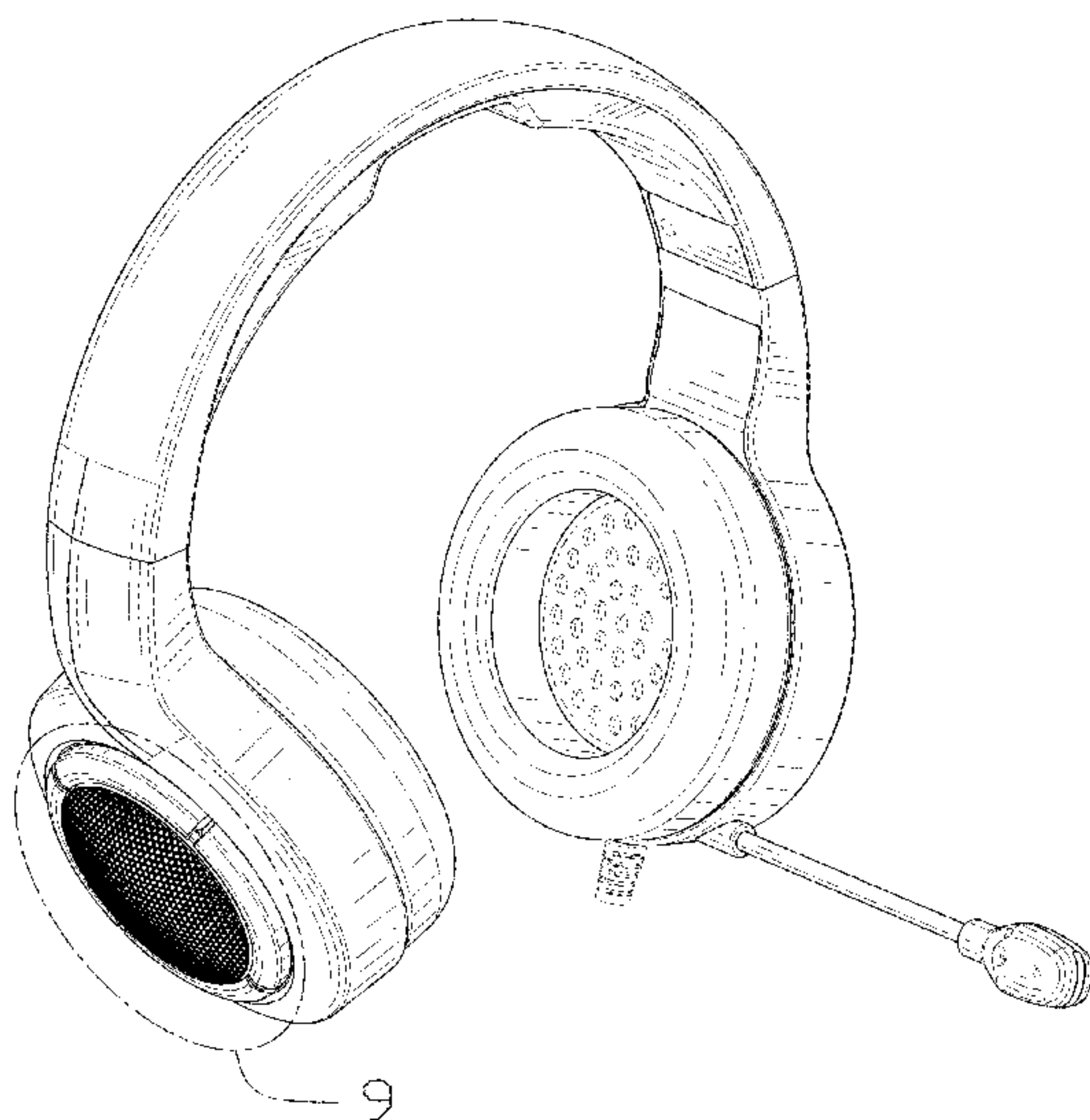
(57) **CLAIM**

The ornamental design for headphones, as shown and described.

DESCRIPTION

FIG. 1 is a perspective view of headphones showing my new design;
FIG. 2 is another perspective view thereof;
FIG. 3 is a front elevational view thereof;
FIG. 4 is a rear elevational view thereof;
FIG. 5 is a left side elevational view thereof;
FIG. 6 is a right side elevational view thereof;
FIG. 7 is a top plan view thereof;
FIG. 8 is a bottom plan view thereof; and,
FIG. 9 is an enlarged view of portion 9 shown in FIG. 1.
The broken lines in the drawings depict portions of the headphones that form no part of the claimed design.

1 Claim, 9 Drawing Sheets



(56)

References Cited

U.S. PATENT DOCUMENTS

D832,813 S * 11/2018 Levine D14/205
D834,260 S * 11/2018 Garcia Mansilla D29/112
D854,513 S * 7/2019 Miyake D14/206
D864,156 S * 10/2019 Liu D14/206
D872,050 S * 1/2020 Liu D14/206
D879,741 S * 3/2020 Hu D14/205
D888,008 S * 6/2020 Yook D14/205
D904,339 S * 12/2020 Wang D14/205
D937,808 S * 12/2021 Liu D14/206
D947,153 S * 3/2022 He D14/206
D949,125 S * 4/2022 Liu D14/206
D949,822 S * 4/2022 Yoshimura D14/205
2017/0055057 A1 * 2/2017 Yang G02B 27/0176
2020/0252710 A1 * 8/2020 Bottoni H04R 1/1008
2021/0329382 A1 * 10/2021 Colich H04R 7/06

FOREIGN PATENT DOCUMENTS

EM 007724281-0001 * 3/2020
EM 008550222-0001 * 5/2021
EM 008831416-0001 * 1/2022

* cited by examiner



FIG. 1



FIG. 2



FIG. 3



FIG. 4



FIG. 5



FIG. 6

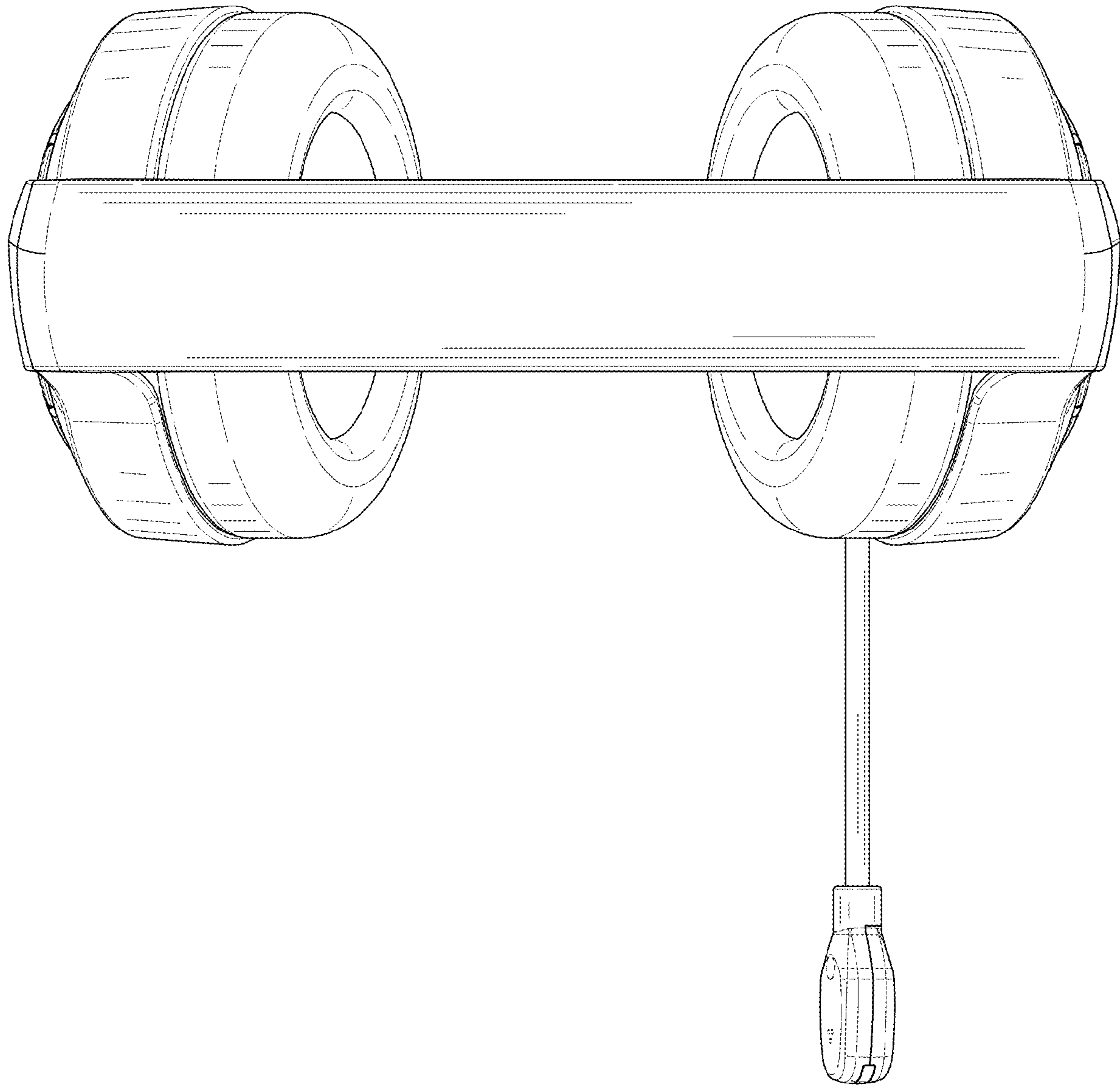


FIG. 7

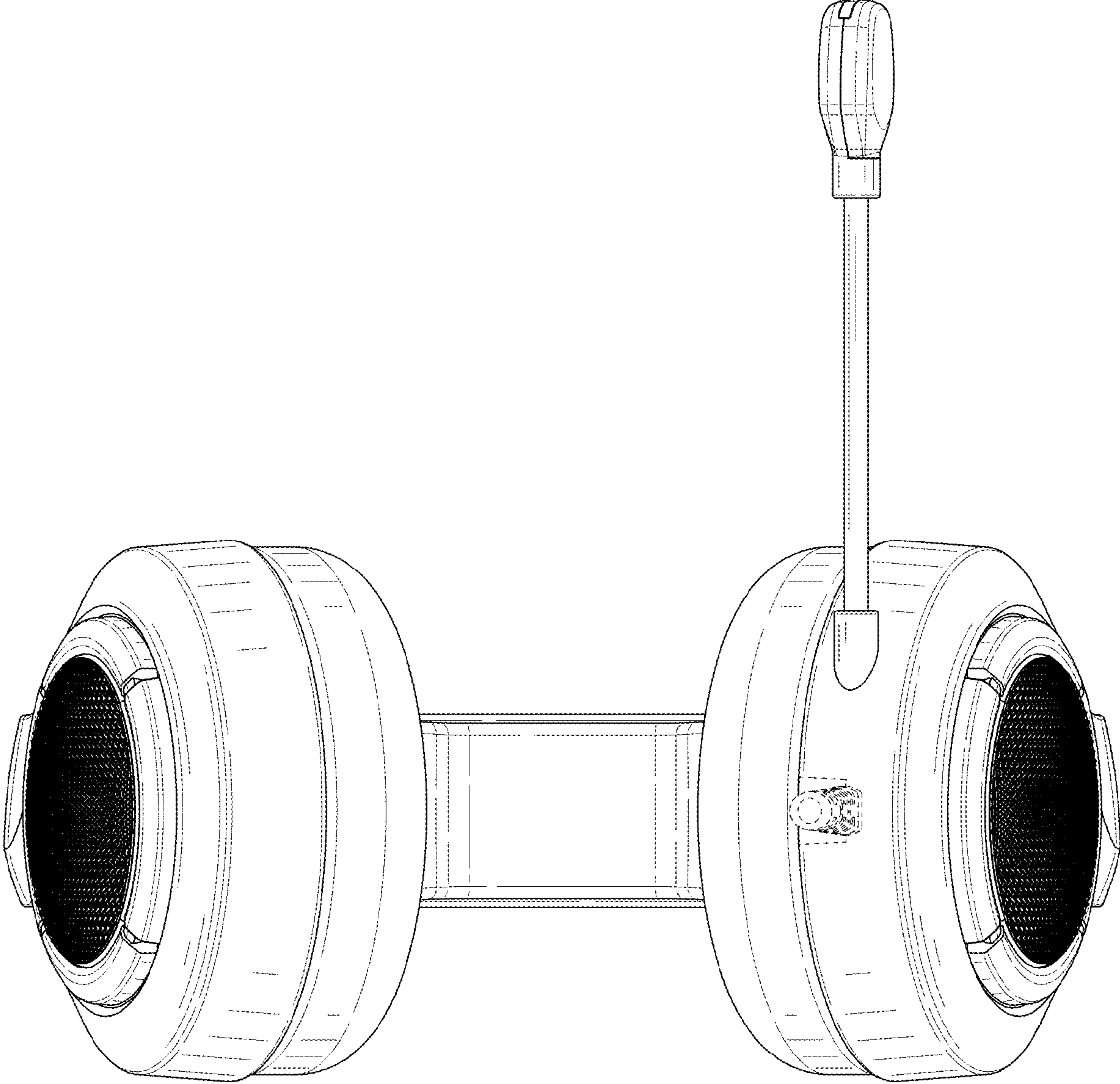


FIG. 8

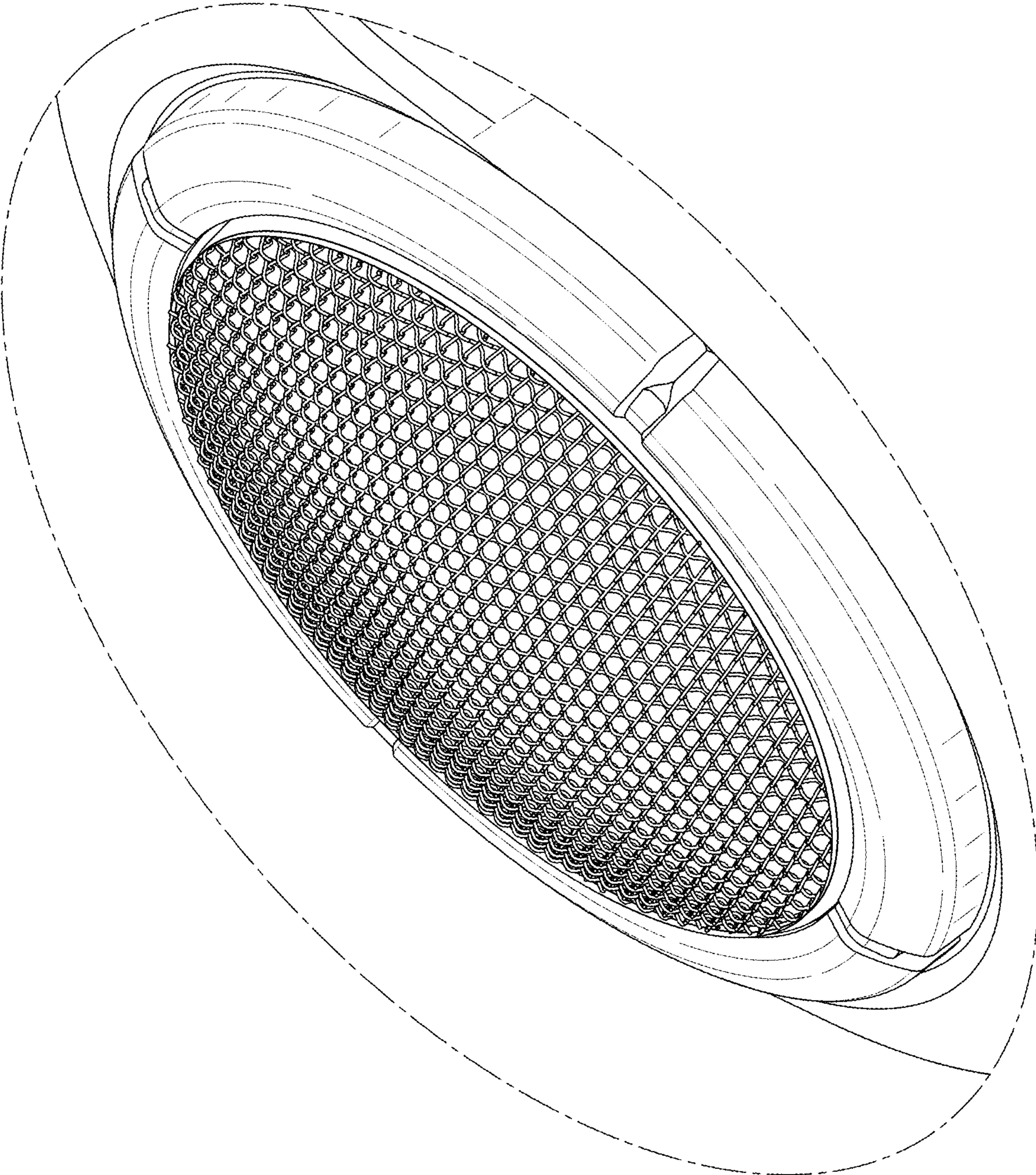


FIG. 9