



(12) **United States Design Patent**  
**Pratley et al.**

(10) **Patent No.:** **US D968,365 S**  
(45) **Date of Patent:** **\*\* Nov. 1, 2022**

(54) **EAR DEFENDER**  
(71) Applicant: **JSP Limited**, Oxford (GB)  
(72) Inventors: **David Pratley**, Oxford (GB); **Tom Malloy**, Oxford (GB)  
(73) Assignee: **JSP Limited**, Oxfordshire (GB)  
(\*\*) Term: **15 Years**  
(21) Appl. No.: **29/731,813**  
(22) Filed: **Apr. 17, 2020**

5,508,123 A \* 4/1996 Fan ..... H01M 50/213  
429/96  
D377,174 S \* 1/1997 Runquist ..... D14/206  
5,721,775 A \* 2/1998 Leifer ..... H04M 1/05  
379/430  
D394,436 S \* 5/1998 Hall ..... D14/206  
D403,126 S \* 12/1998 Scanlon ..... D29/112  
(Continued)

(30) **Foreign Application Priority Data**

Oct. 18, 2019 (EP) ..... 007061114-0005  
(51) **LOC (13) Cl.** ..... **14-01**  
(52) **U.S. Cl.**  
USPC ..... **D14/206**; D14/226  
(58) **Field of Classification Search**  
USPC ..... D14/206, 226, 225, 188, 192, 168, 249;  
D29/112; 2/209; 128/866; 381/380,  
381/381, 370, 74, 374; 455/90.3, 575.1,  
455/569.1  
CPC ..... H04R 25/00; H04R 25/02; H04R 1/1066;  
H04R 1/1016; H04R 5/033; H04R  
5/0335; H04R 1/1083; H04R 1/1091;  
H04R 19/04; A61F 11/14  
See application file for complete search history.

**FOREIGN PATENT DOCUMENTS**

AU 03642/89 S 9/2015  
CN 306941781 \* 11/2021  
(Continued)

**OTHER PUBLICATIONS**

3M Headsets for Worker Health & Safety, 1 Page.  
(Continued)

*Primary Examiner* — Paula Allen Greene  
(74) *Attorney, Agent, or Firm* — Faegre Drinker Biddle & Reath LLP

(56) **References Cited**

**U.S. PATENT DOCUMENTS**

2,075,196 A \* 3/1937 Hand ..... H04R 1/1066  
381/377  
4,654,883 A \* 3/1987 Iwata ..... H04B 1/385  
379/430  
D299,025 S \* 12/1988 Besasie ..... D14/205  
D299,337 S \* 1/1989 Wiegel ..... D14/206  
5,056,161 A \* 10/1991 Breen ..... H04R 1/1066  
2/209  
D327,888 S \* 7/1992 Fitzgerald ..... D14/138 R

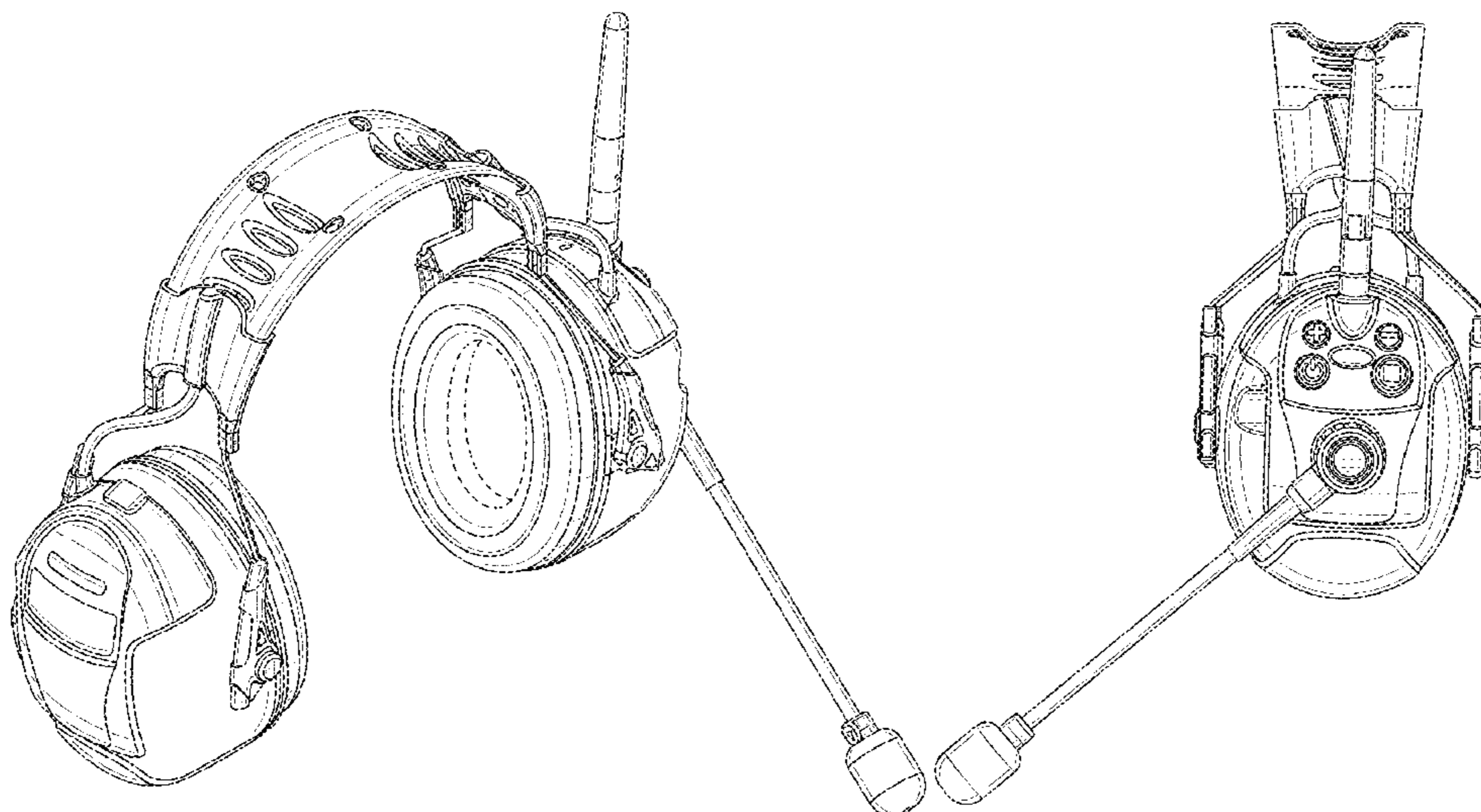
(57) **CLAIM**

The ornamental design for an ear defender, as shown and described.

**DESCRIPTION**

FIG. 1 is an isometric perspective view of an ear defender, illustrating our new design;  
FIG. 2 is a front view thereof;  
FIG. 3 is a back view thereof;  
FIG. 4 is a left view thereof;  
FIG. 5 is a right view thereof;  
FIG. 6 is a top view thereof; and,  
FIG. 7 is a bottom view thereof.  
The broken lines illustrate a portion of the ear defender that forms no part of the claimed design.

**1 Claim, 7 Drawing Sheets**



(56)

References Cited

U.S. PATENT DOCUMENTS

D403,128 S \* 12/1998 Scanlon ..... D29/122  
 D410,238 S \* 5/1999 Sloan ..... D14/205  
 D411,200 S \* 6/1999 Almqvist ..... D14/192  
 6,406,811 B1 \* 6/2002 Hall ..... H04R 1/1025  
 429/96  
 6,560,346 B2 \* 5/2003 Ohta ..... H04R 1/083  
 381/382  
 6,625,293 B1 \* 9/2003 Nageno ..... H04R 1/08  
 381/362  
 6,965,681 B2 \* 11/2005 Almqvist ..... H04R 1/1041  
 381/371  
 7,114,823 B2 \* 10/2006 McCullough ..... F21V 33/0056  
 362/105  
 D566,697 S \* 4/2008 Nielsen ..... D14/224  
 7,766,120 B2 \* 8/2010 Hansson ..... A61F 11/14  
 181/129  
 D633,894 S \* 3/2011 Meyer ..... D14/205  
 D648,706 S \* 11/2011 Gresko ..... D14/205  
 8,075,153 B2 \* 12/2011 Werner ..... F21V 33/0064  
 362/105  
 D663,900 S \* 7/2012 Karlsson ..... A61F 11/14  
 D29/112  
 D703,183 S \* 4/2014 Moriya ..... H04S 1/005  
 D14/206  
 D725,031 S 3/2015 Tinius  
 D734,745 S \* 7/2015 Tatkon-Coker ..... D14/225  
 D736,177 S \* 8/2015 Winters ..... D14/206  
 D736,475 S \* 8/2015 Fletcher ..... D29/112  
 D747,557 S \* 1/2016 Bonney ..... D29/112  
 D763,518 S 8/2016 Fletcher et al.  
 D764,717 S \* 8/2016 Fletcher ..... D29/112  
 D766,520 S \* 9/2016 Fletcher ..... D29/112  
 D789,615 S \* 6/2017 Pratley ..... D29/112  
 D790,506 S \* 6/2017 Broadley ..... D14/206  
 D805,697 S \* 12/2017 Pratley ..... D29/112  
 D821,653 S \* 6/2018 Pratley ..... D29/112  
 D851,839 S \* 6/2019 Scanlon ..... D29/112  
 D877,422 S \* 3/2020 Lebel ..... D29/112  
 D885,683 S \* 5/2020 Qiu ..... D29/112  
 D899,403 S \* 10/2020 Zhu ..... D14/206  
 D921,992 S \* 6/2021 Hemeyer ..... D29/112  
 D925,491 S \* 7/2021 Still ..... D14/206  
 2009/0154740 A1 6/2009 Regen et al.  
 2009/0323975 A1 12/2009 Groesch  
 2011/0314594 A1 \* 12/2011 Rogers ..... A42B 3/04  
 2/421

2012/0077438 A1 \* 3/2012 Jung ..... A42B 3/30  
 455/41.2  
 2012/0105740 A1 \* 5/2012 Jannard ..... H04M 1/6066  
 348/794  
 2013/0202135 A1 \* 8/2013 Hedrick ..... H04R 1/46  
 381/151  
 2016/0080853 A1 3/2016 Chen  
 2016/0196100 A1 7/2016 Yow et al.  
 2016/0286019 A1 \* 9/2016 Broadley ..... H04M 1/72412  
 2016/0302029 A1 \* 10/2016 Broadley ..... H04W 4/80  
 2017/0150769 A1 \* 6/2017 Lebel ..... A42B 3/30  
 2017/0245043 A1 \* 8/2017 Abbott ..... A42B 3/04  
 2018/0115817 A1 \* 4/2018 Prohaszka ..... F16C 11/10  
 2019/0373353 A1 \* 12/2019 Yuen ..... H04R 5/0335

FOREIGN PATENT DOCUMENTS

EM 001245690-0002 12/2010  
 EM 003167410-0008 \* 6/2016  
 EM 008642748-0002 \* 8/2021  
 EP 1689337 A1 8/2006  
 EP 3254278 A1 12/2017  
 JP 2006-121455 A 5/2006  
 WO 2005/051255 A1 6/2005  
 WO 2008/122081 A1 10/2008  
 WO 2009/131518 A1 10/2009  
 WO 2016/126476 A1 8/2016

OTHER PUBLICATIONS

3M Protective Communications for Worker Health & Safety, [https://www.3m.co.uk/3M/en\\_GB/company-uk/3m-products/~/All-3M-Products/Safety/Worker-Health-Safety/Protective-Communications/?N=5002385+8709322+8711017+8711405+8720540&rt=r3](https://www.3m.co.uk/3M/en_GB/company-uk/3m-products/~/All-3M-Products/Safety/Worker-Health-Safety/Protective-Communications/?N=5002385+8709322+8711017+8711405+8720540&rt=r3), 7 Pages.  
 3M WorkTunes AM/FM Hearing Protector with Audio Assist Technology, 24 dB NRR, Ear protection for Mowing, Snowblowing, Construction, Work Shops, Amazon.com-[http://www.amazon.com/gp/product/images/B0013092CS/ref=dp\\_image\\_0?ie=UTF8&n=228013&s=hi.](http://www.amazon.com/gp/product/images/B0013092CS/ref=dp_image_0?ie=UTF8&n=228013&s=hi.), 9 Pages.  
 Headset, 26dB, Headband, Grainger (Registered), Grainger.com-[https://www.grainger.com/product/3M-Headset-52WZ32?s\\_pp=false&picUrl=//static.grainger.com/rp/s/is/image/Grainger/52WZ32\\_AS01?\\$smthumb\\$](https://www.grainger.com/product/3M-Headset-52WZ32?s_pp=false&picUrl=//static.grainger.com/rp/s/is/image/Grainger/52WZ32_AS01?$smthumb$) 2 Pages.  
 Hearing Protection, JSP, <https://www.jspsafety.com/link/en/hearing-protection-ear-defenders-ear-plugs/c/>, 4 pages.

\* cited by examiner

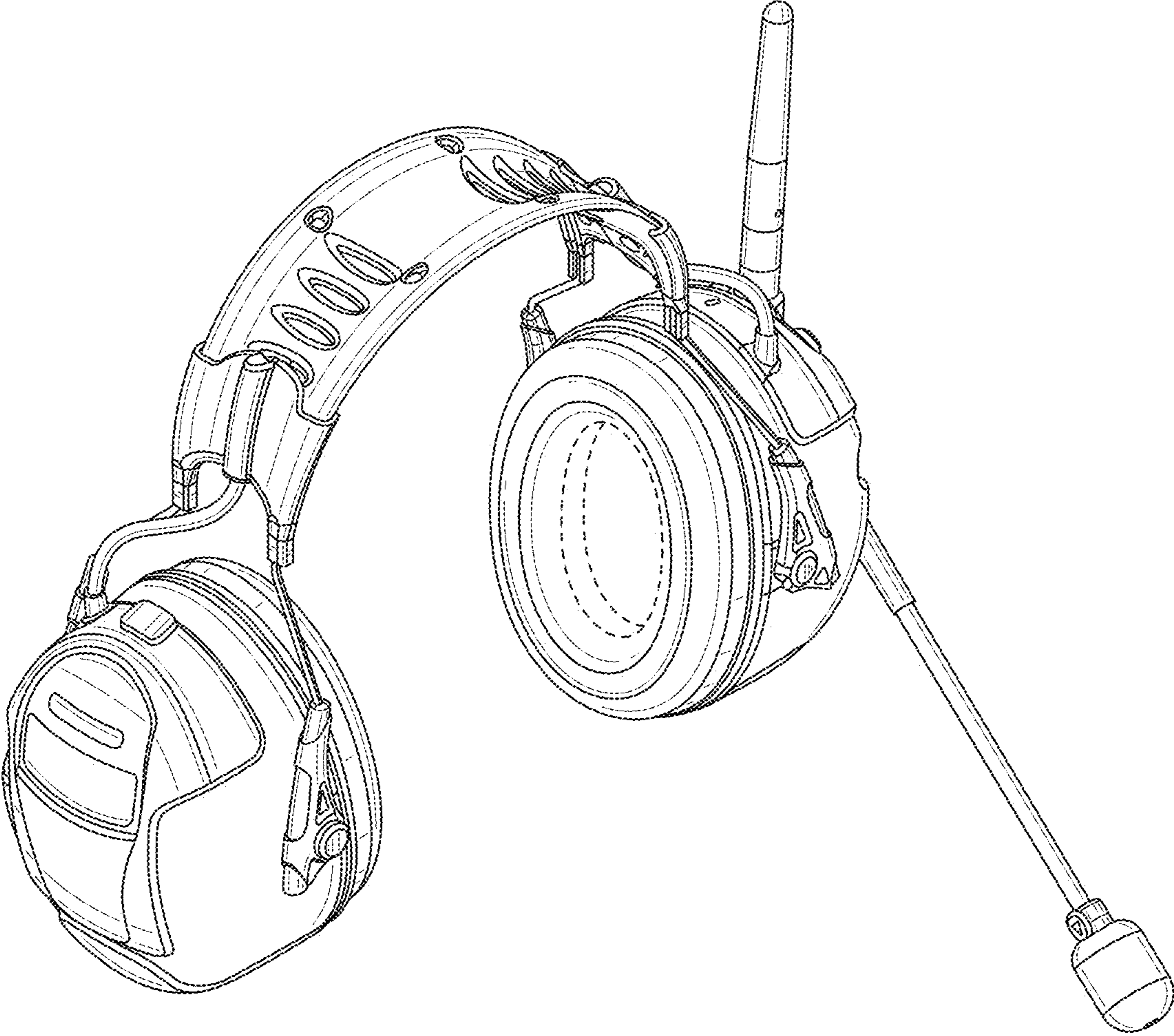


FIG. 1

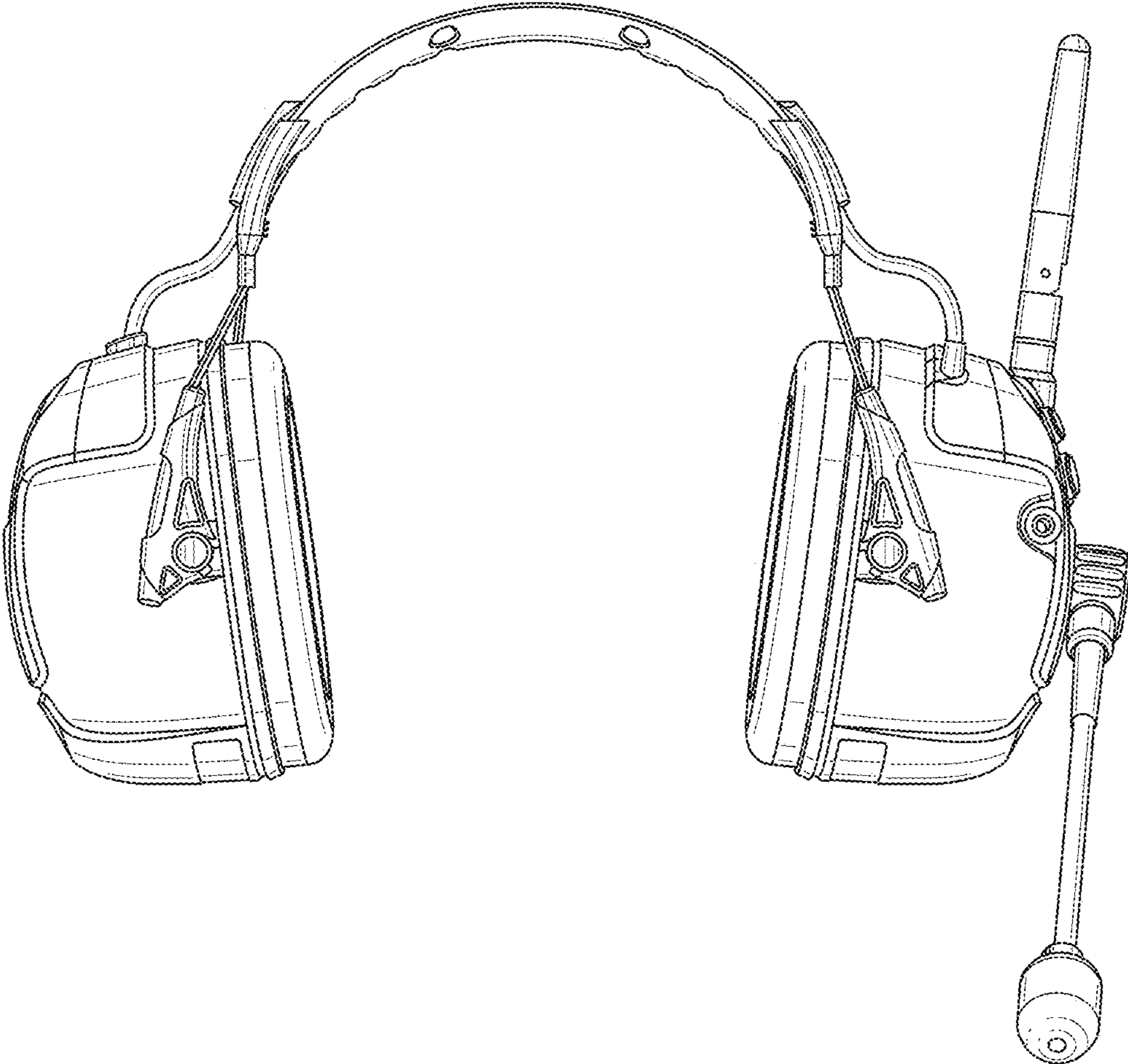


FIG. 2

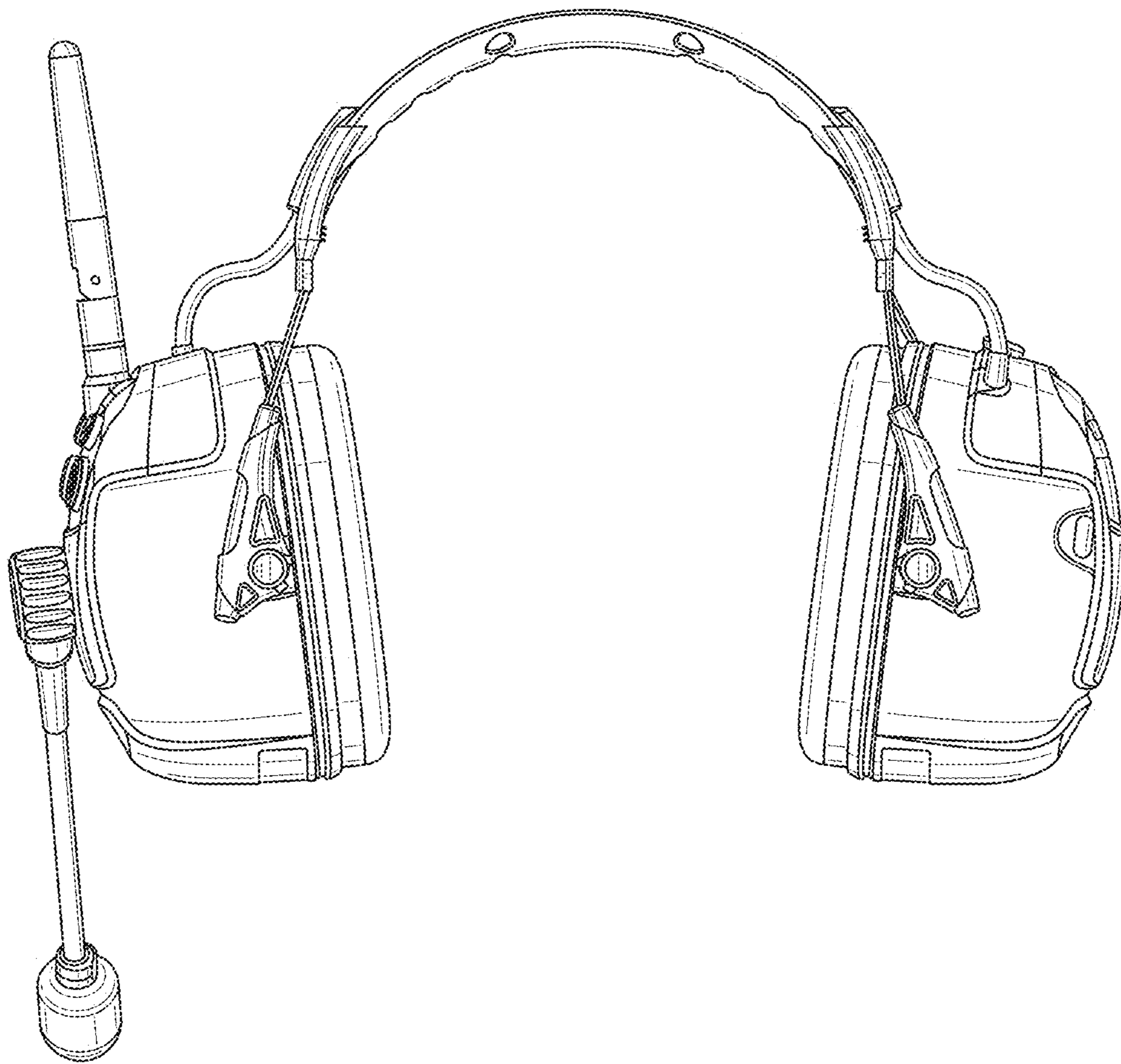


FIG. 3

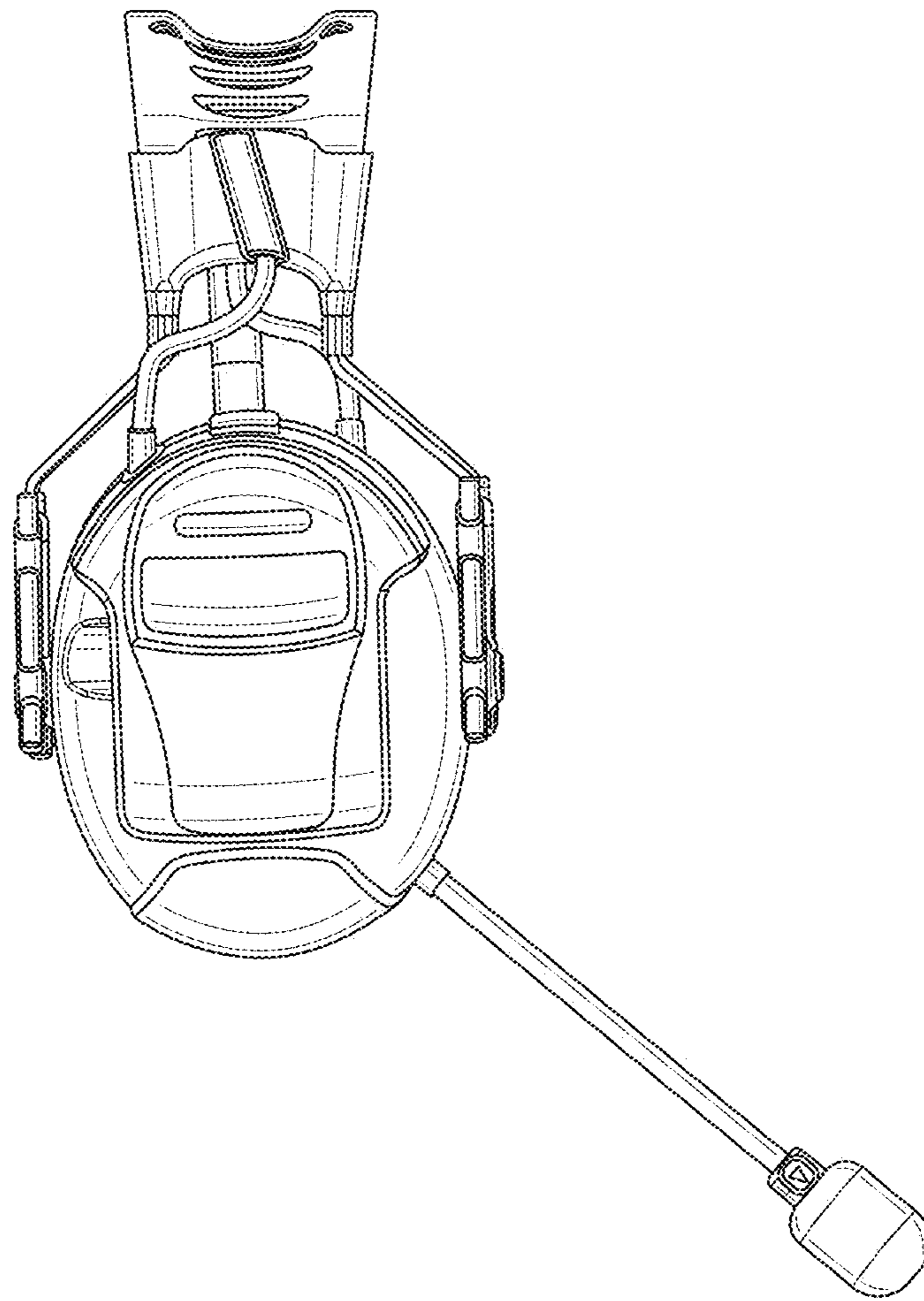


FIG. 4

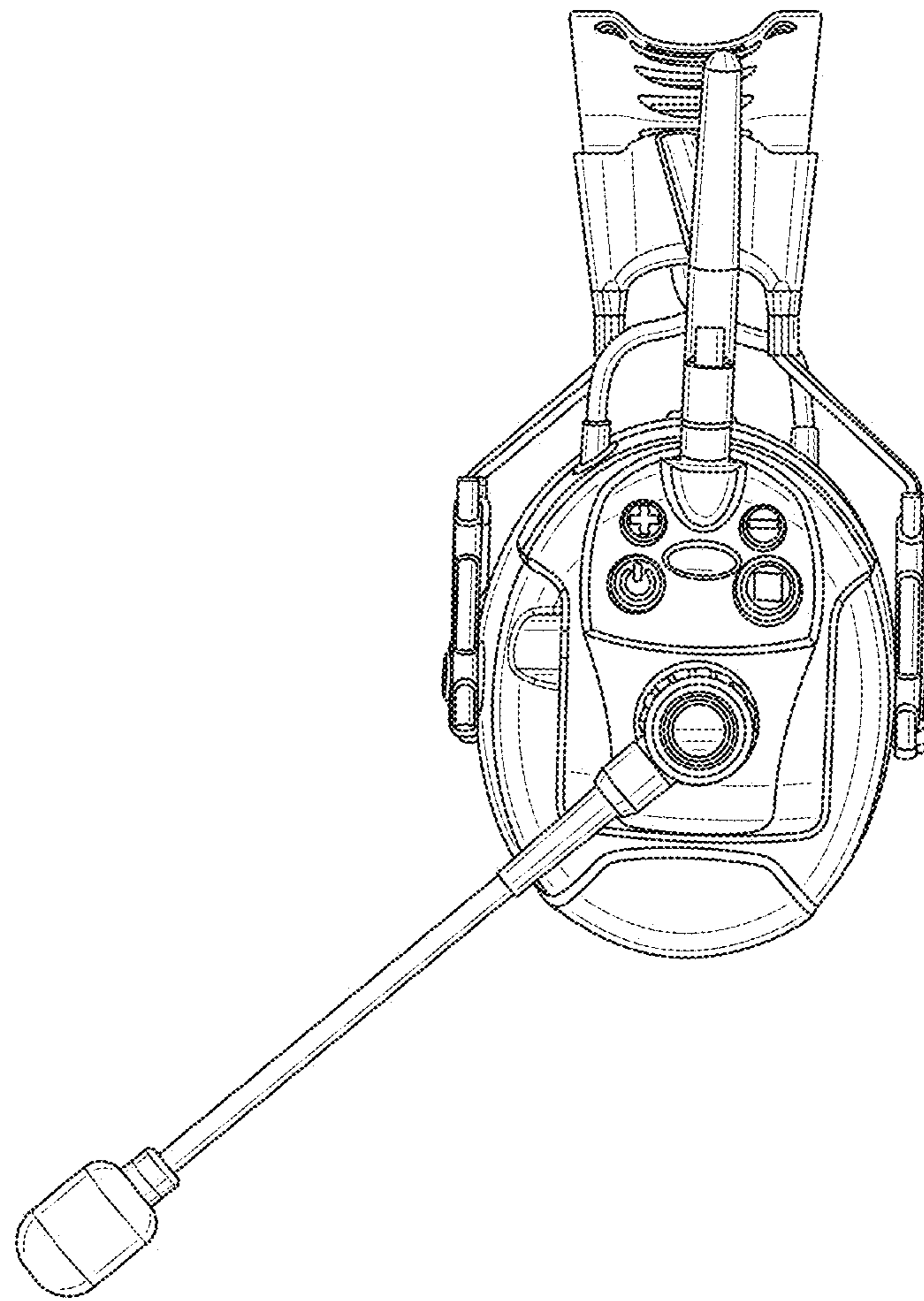


FIG. 5

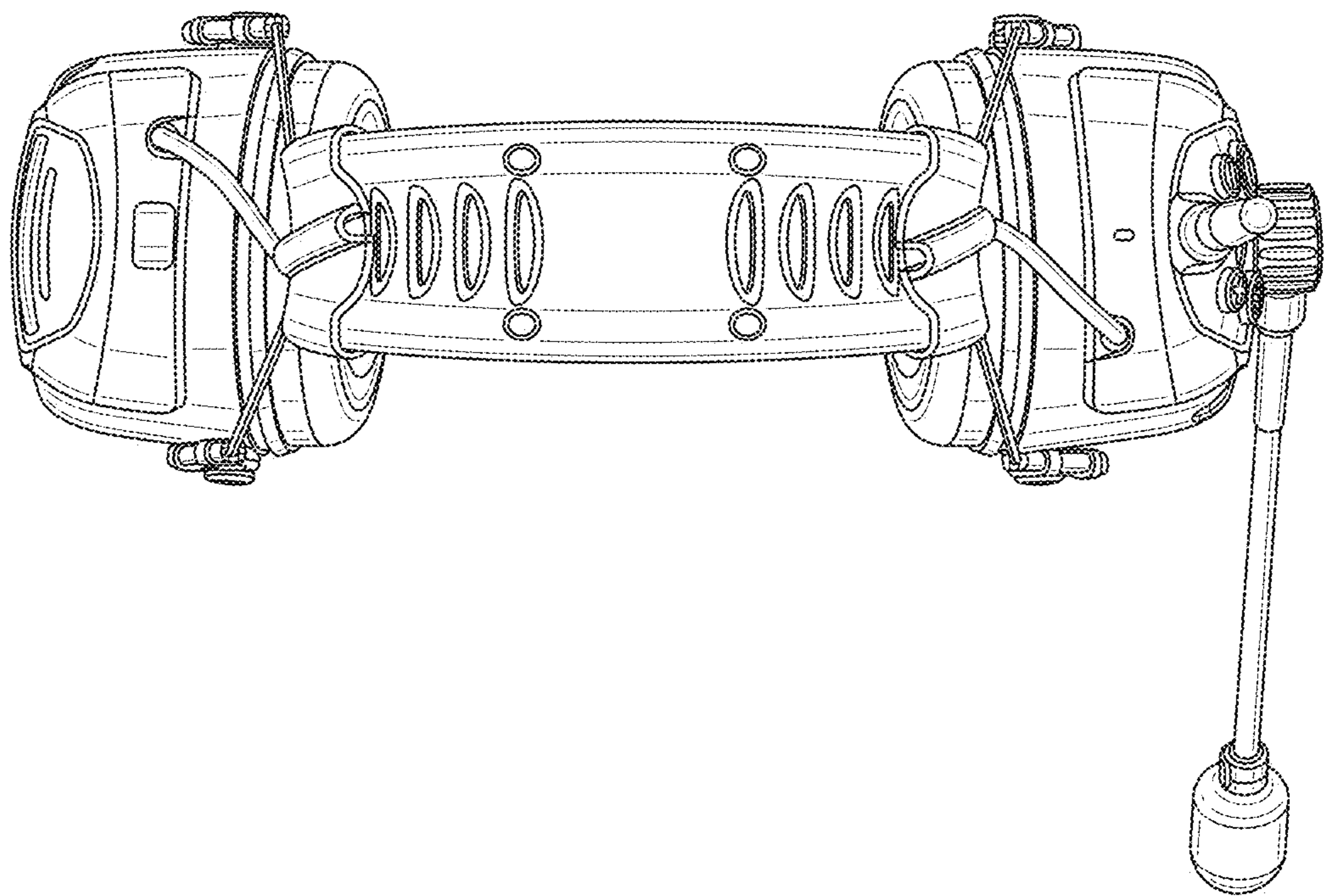


FIG. 6



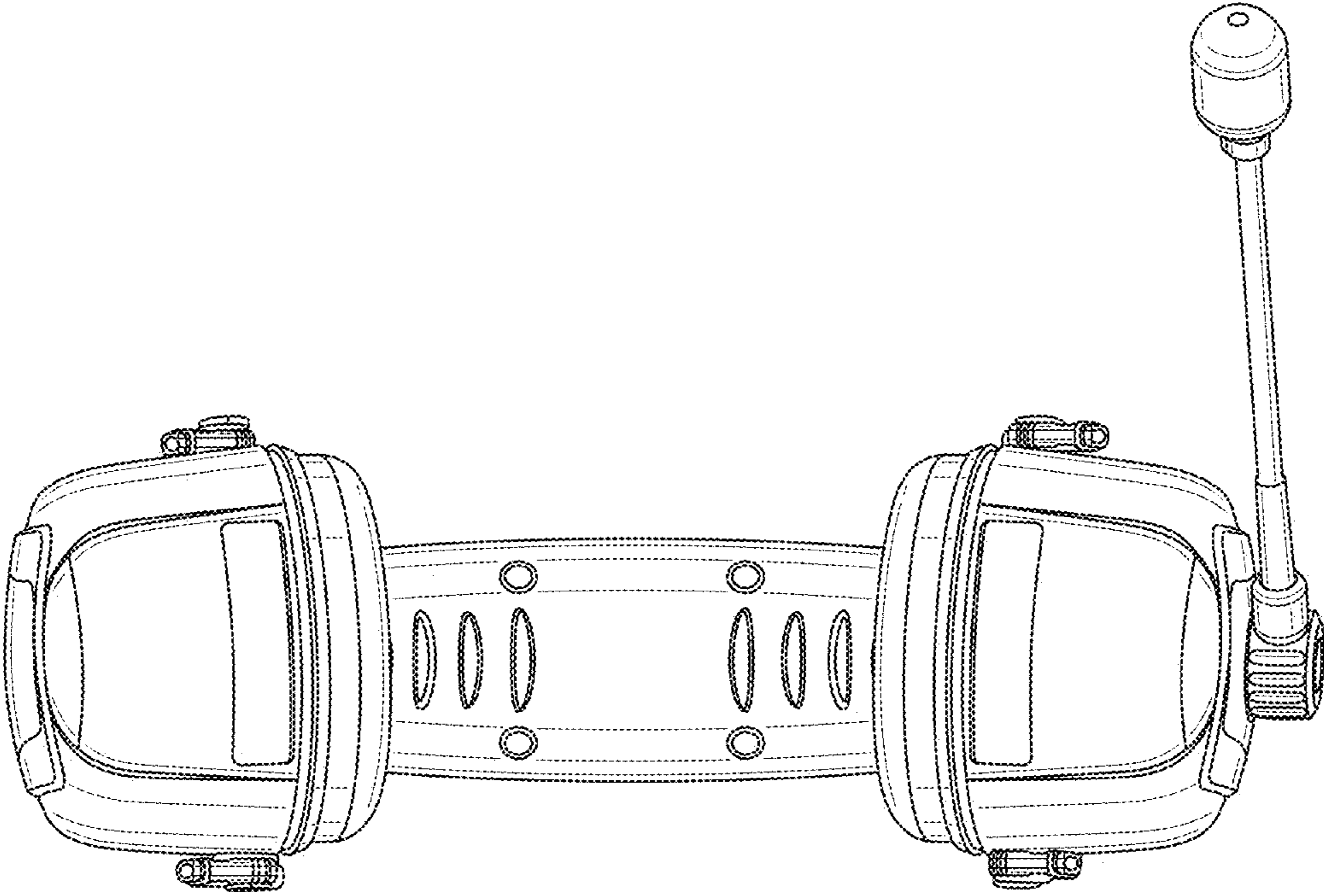


FIG. 7