



US00D968362S

(12) **United States Design Patent** (10) **Patent No.:** **US D968,362 S**  
**Guo** (45) **Date of Patent:** **\*\* Nov. 1, 2022**

(54) **EARPHONE**

(71) Applicant: **Shenzhen Apwill Electronic Co., Ltd.**,  
Guangdong (CN)

(72) Inventor: **Dehua Guo**, Guangdong (CN)

(73) Assignee: **Shenzhen Apwill Electronic Co., Ltd.**,  
Shenzhen (CN)

(\*\*) Term: **15 Years**

(21) Appl. No.: **29/806,017**

(22) Filed: **Aug. 31, 2021**

(30) **Foreign Application Priority Data**

Aug. 19, 2021 (CN) ..... 202130540149.X

(51) **LOC (13) Cl.** ..... **14-01**

(52) **U.S. Cl.**  
USPC ..... **D14/205**

(58) **Field of Classification Search**  
USPC ..... D14/205, 223, 218; D13/133, 154;  
D24/106; D29/112; 2/209;  
381/380-381, 322, 328  
CPC ..... H04R 25/00; H04R 25/02; H04R 1/10;  
H04R 1/1016; H04R 5/033; H04R  
5/0335; H04R 1/1033; H04R 1/1041;  
H04R 1/1091

See application file for complete search history.

(56) **References Cited**

**U.S. PATENT DOCUMENTS**

3,049,582 A \* 8/1962 Shinn ..... H01R 4/70  
D13/133  
D241,881 S \* 10/1976 Peterson ..... D24/106  
4,867,149 A \* 9/1989 Falco ..... A61F 11/08  
128/864  
5,113,967 A \* 5/1992 Killion ..... A61F 11/08  
181/135

D344,522 S \* 2/1994 Taniguchi ..... D14/218  
5,819,745 A \* 10/1998 Mobley ..... A61F 11/08  
128/867  
5,887,070 A \* 3/1999 Iseberg ..... H04R 1/1016  
381/328  
D427,304 S \* 6/2000 Magidson ..... D24/106  
D468,301 S 1/2003 Fushimi

(Continued)

**FOREIGN PATENT DOCUMENTS**

CN 306670705 \* 7/2021  
CN 306760693 \* 8/2021

(Continued)

*Primary Examiner* — Paula Allen Greene

(74) *Attorney, Agent, or Firm* — Dragon Sun Law Firm,  
PC; Jinggao Li; Nathaniel Perkins

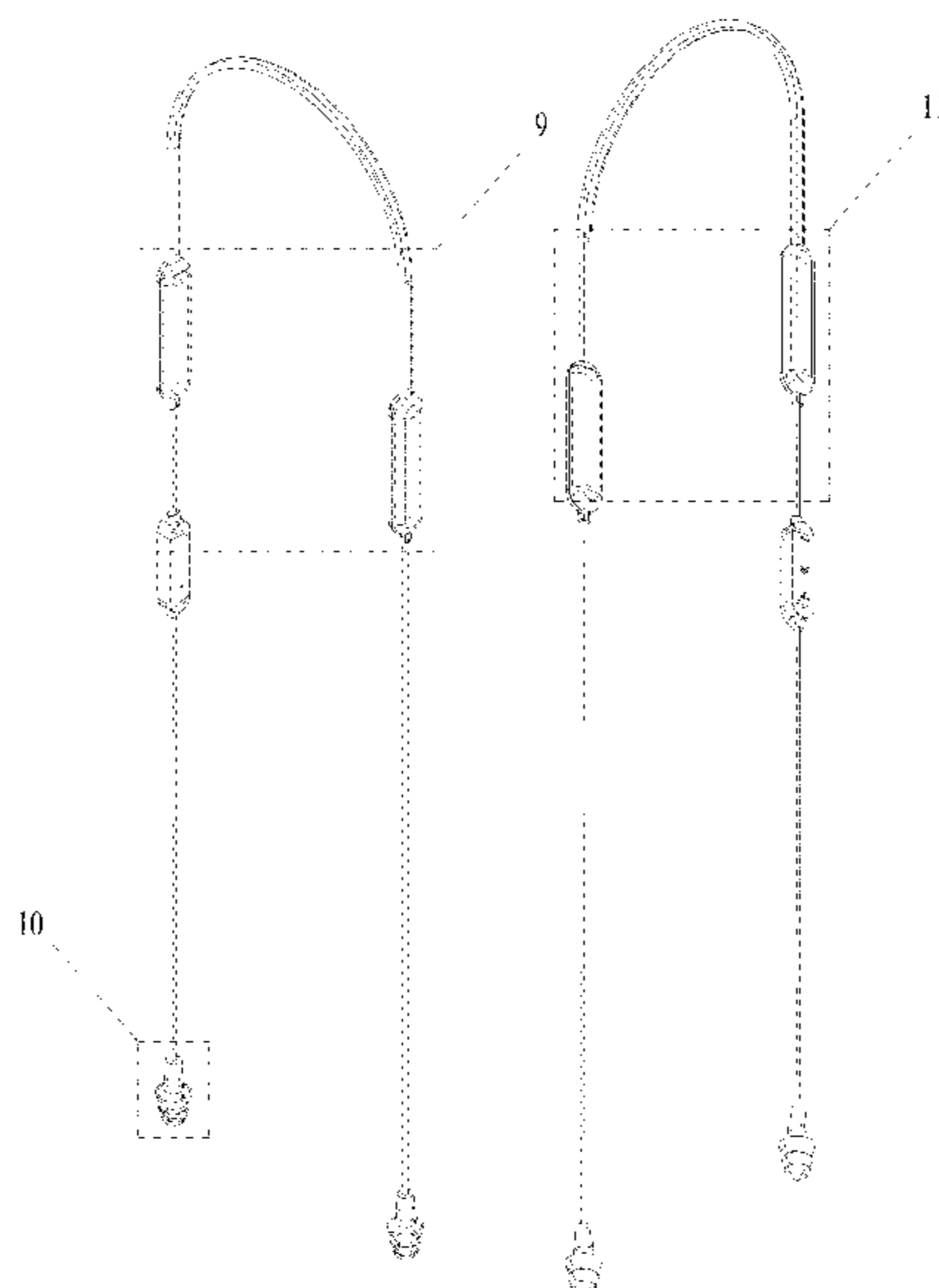
(57) **CLAIM**

The ornamental design for earphone, as shown and described.

**DESCRIPTION**

FIG. 1 is a front, top perspective view of an earphone showing my new design;  
FIG. 2 is a rear, bottom perspective view thereof;  
FIG. 3 is a front view thereof;  
FIG. 4 is a rear view thereof;  
FIG. 5 is a left view thereof;  
FIG. 6 is a right view thereof;  
FIG. 7 is a top view thereof;  
FIG. 8 is a bottom view thereof;  
FIG. 9 is a partially enlarged view of FIG. 1,  
FIG. 10 is a partially enlarged view of FIG. 1,  
FIG. 11 is a partially enlarged view of FIG. 2; and,  
FIG. 12 is a partially enlarged view of FIG. 3.  
The broken lines surrounding the earphone in FIGS. 1, 2, and 3 and illustrated in the enlarged views of FIGS. 9, 10, 11, and 12 form no part of the claimed design.

**1 Claim, 10 Drawing Sheets**



(56)

References Cited

U.S. PATENT DOCUMENTS

D492,765 S \* 7/2004 Falco ..... A61F 11/08  
 D539,782 S \* 4/2007 Lee ..... D24/106  
 D599,778 S \* 9/2009 Ando ..... D14/188  
 D614,166 S \* 4/2010 Brickstad ..... D14/218  
 D625,294 S \* 10/2010 Wada ..... D14/218  
 8,743,533 B2 \* 6/2014 Stanley ..... H05K 5/023  
 381/384  
 D715,254 S \* 10/2014 Lee ..... D14/205  
 D716,272 S \* 10/2014 Yang ..... D14/223  
 D718,286 S \* 11/2014 Yang ..... D14/223  
 D718,744 S \* 12/2014 Thompson ..... D14/223  
 D719,550 S \* 12/2014 Yang ..... D14/223  
 D722,040 S \* 2/2015 Tan ..... D14/205  
 D726,145 S \* 4/2015 Hsieh ..... D14/205  
 D727,871 S \* 4/2015 Orbach ..... D14/205  
 D729,775 S \* 5/2015 Seo ..... D14/223  
 D733,101 S \* 6/2015 Pi ..... D14/223  
 D733,689 S \* 7/2015 Narita ..... D14/223  
 D743,381 S \* 11/2015 Pi ..... D14/218  
 D745,489 S \* 12/2015 Bjelle ..... D14/205  
 D755,759 S \* 5/2016 Cai ..... D14/223  
 D757,682 S \* 5/2016 Perez ..... D14/205  
 D758,353 S \* 6/2016 Akana ..... D14/218  
 D760,189 S \* 6/2016 Loh Jun Kern ..... D14/205  
 D773,435 S \* 12/2016 Ott ..... D14/223  
 D776,083 S \* 1/2017 Lee ..... D14/205  
 D777,139 S \* 1/2017 Fletcher ..... D14/205  
 D780,155 S \* 2/2017 Levine ..... D14/223  
 D780,157 S \* 2/2017 Uggla ..... D14/223  
 D782,442 S \* 3/2017 Chen ..... D14/205  
 D782,997 S \* 4/2017 Shin ..... D14/205  
 D784,962 S \* 4/2017 Yang ..... D14/223  
 D785,594 S \* 5/2017 Zaihui ..... D14/205  
 D793,995 S \* 8/2017 Nakagawa ..... D14/218  
 D803,184 S \* 11/2017 Loh Jun Kern ..... D14/223

D803,185 S \* 11/2017 Loh Jun Kern ..... D14/223  
 D810,047 S \* 2/2018 Tzeng ..... D14/223  
 D812,038 S \* 3/2018 Nakajima ..... D14/205  
 D817,301 S \* 5/2018 Aoyagi ..... D14/205  
 D820,810 S \* 6/2018 Levine ..... D14/205  
 D821,999 S \* 7/2018 Guo ..... D14/205  
 D830,345 S \* 10/2018 Cai ..... D14/223  
 D849,714 S \* 5/2019 Shin ..... D14/205  
 D855,581 S \* 8/2019 Li ..... D14/205  
 D856,307 S \* 8/2019 Maeda ..... D14/218  
 D859,358 S \* 9/2019 Wang et al.  
 D865,707 S \* 11/2019 Bian  
 D875,070 S \* 2/2020 Carr ..... D14/205  
 D875,709 S \* 2/2020 Yuanfa et al.  
 D890,128 S \* 7/2020 Kim et al.  
 D904,347 S \* 12/2020 Yamamoto et al.  
 D921,608 S \* 6/2021 Aoyagi ..... D14/218  
 D923,601 S \* 6/2021 Kim ..... D14/205  
 D924,841 S \* 7/2021 Yuan ..... D14/205  
 D932,002 S \* 9/2021 Yuan ..... D24/106  
 D941,800 S \* 1/2022 Aoyagi ..... D14/205  
 D955,549 S \* 6/2022 Cai ..... D24/106  
 2013/0077815 A1 \* 3/2013 Stephenson ..... H04R 1/1016  
 381/370  
 2014/0112520 A1 \* 4/2014 Knudsen ..... H04R 1/1083  
 381/380  
 2015/0047651 A1 \* 2/2015 Haapapuro ..... A61F 11/12  
 128/866  
 2016/0261946 A1 \* 9/2016 Chen ..... H04R 1/1016  
 2016/0316290 A1 \* 10/2016 Shen ..... H04R 1/1025  
 2018/0070165 A1 \* 3/2018 Hatfield ..... H04R 1/1058  
 2022/0095038 A1 \* 3/2022 Xie ..... H04R 5/0335

FOREIGN PATENT DOCUMENTS

CN 306892866 \* 10/2021  
 CN 307326194 \* 5/2022

\* cited by examiner

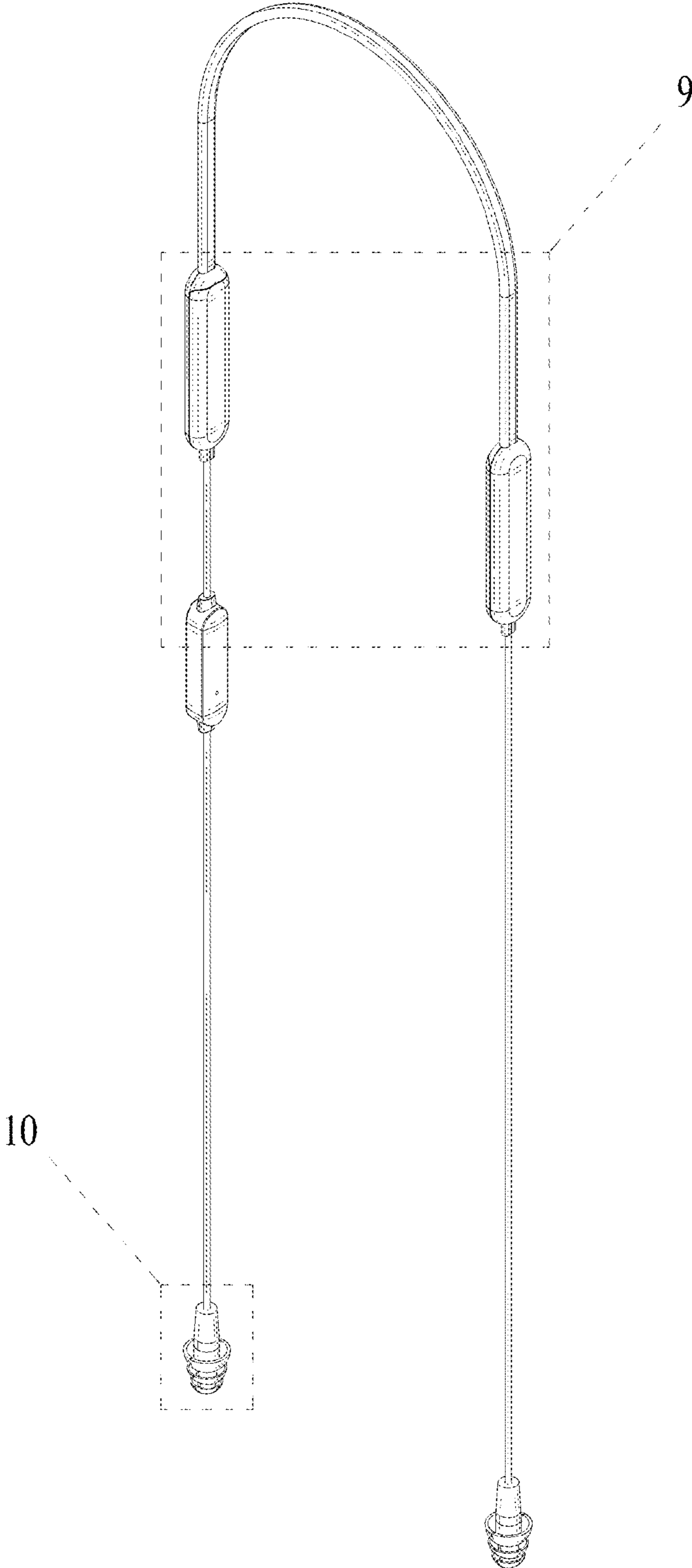


FIG. 1

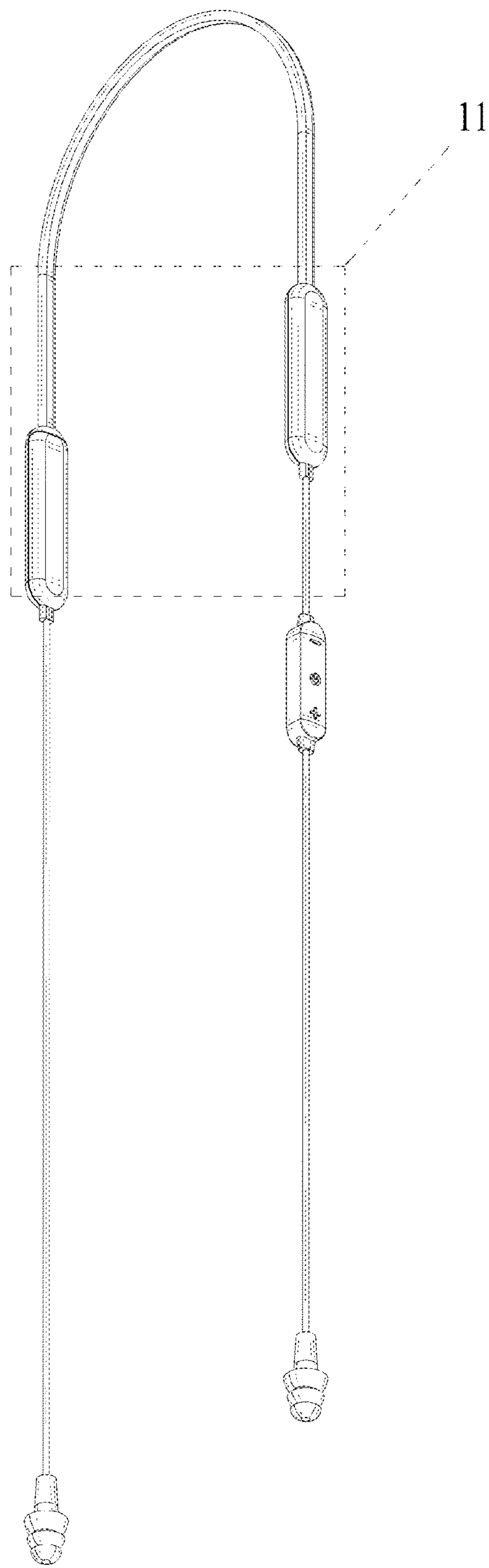


FIG. 2

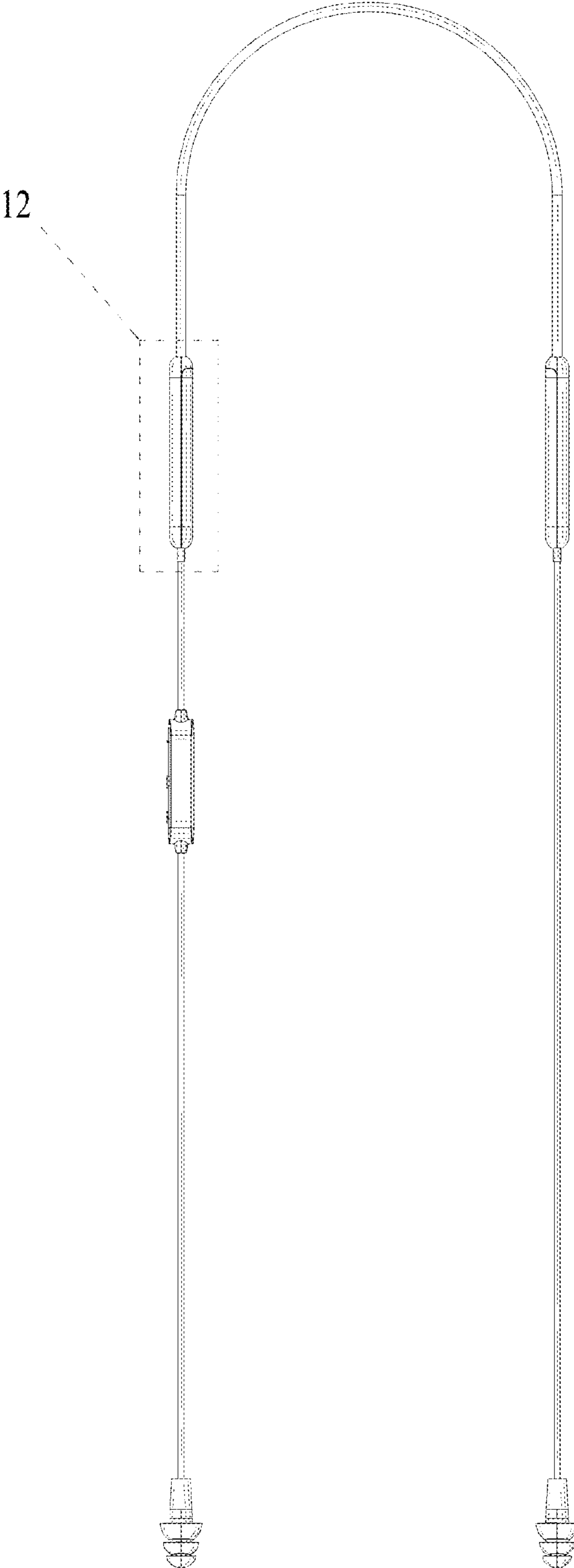


FIG. 3

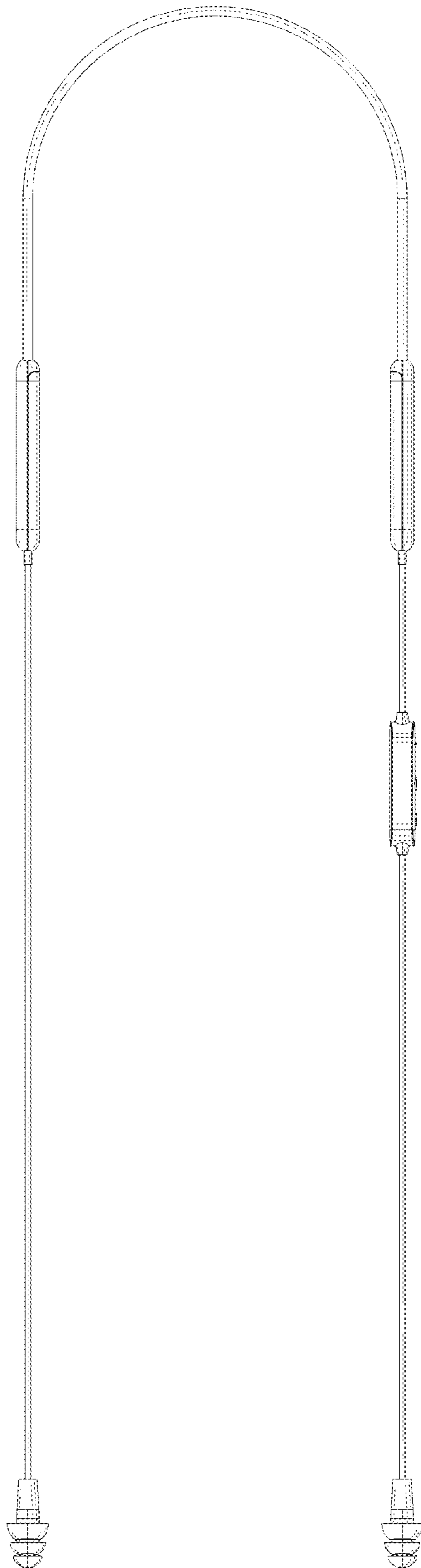


FIG. 4



FIG. 5

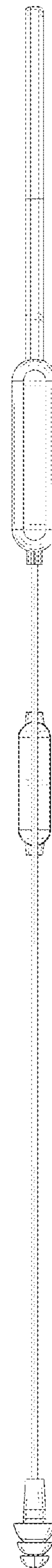


FIG. 6

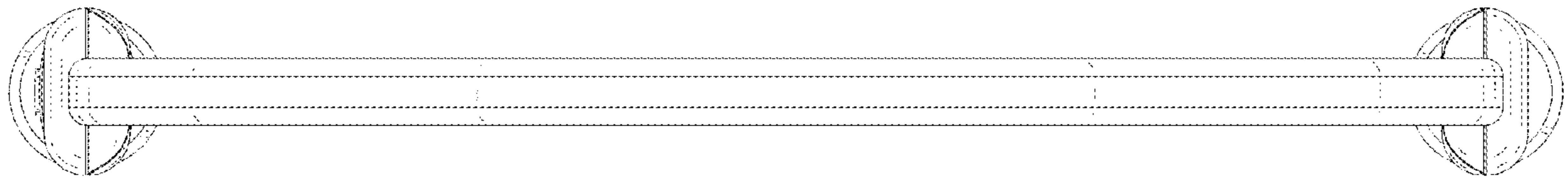


FIG. 7

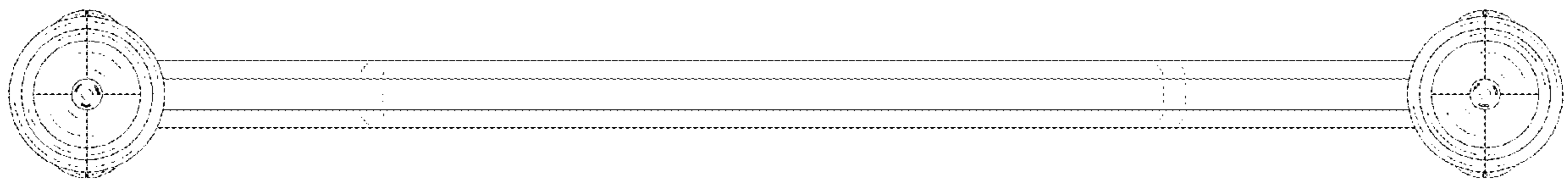


FIG. 8



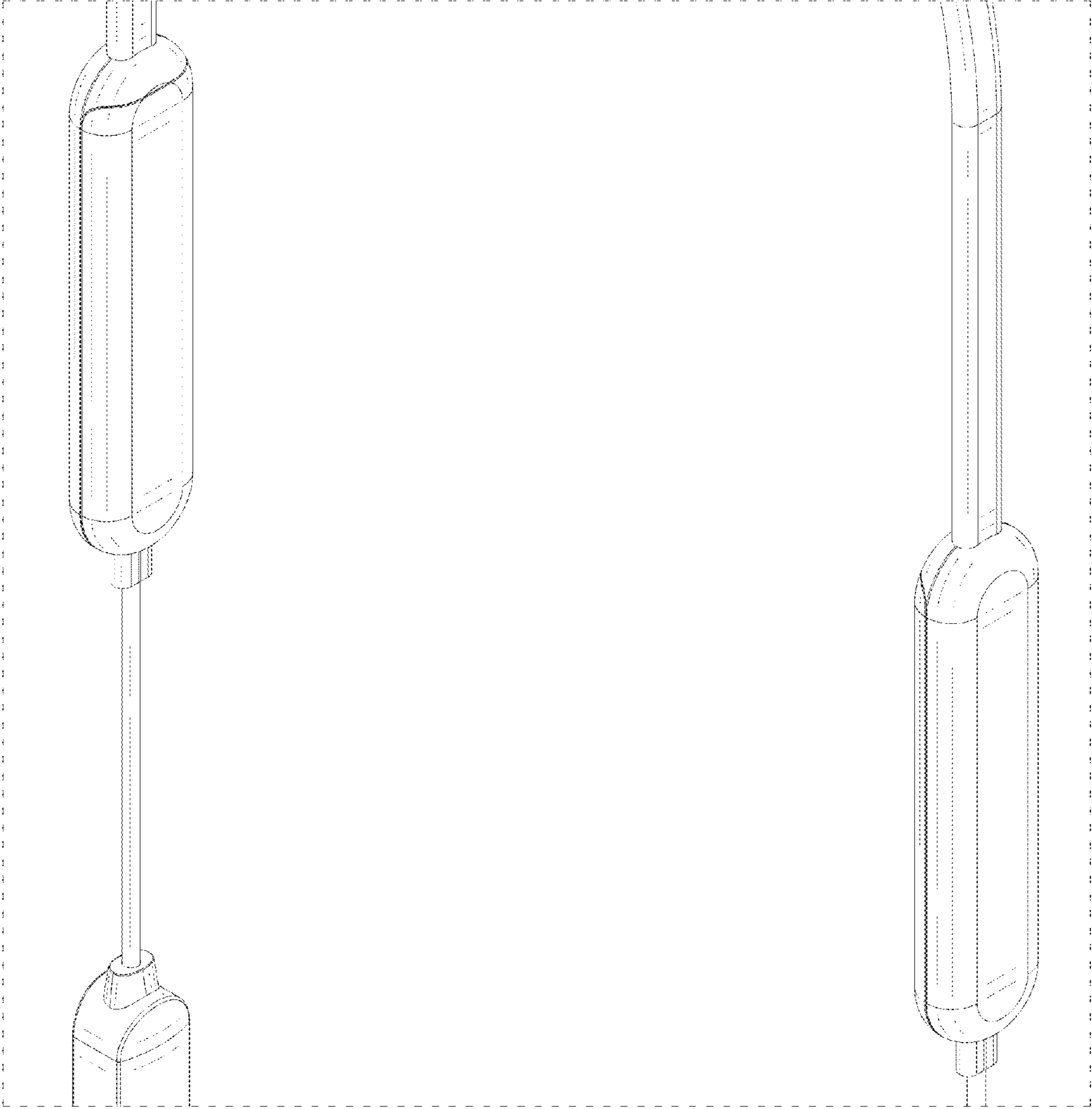


FIG. 9

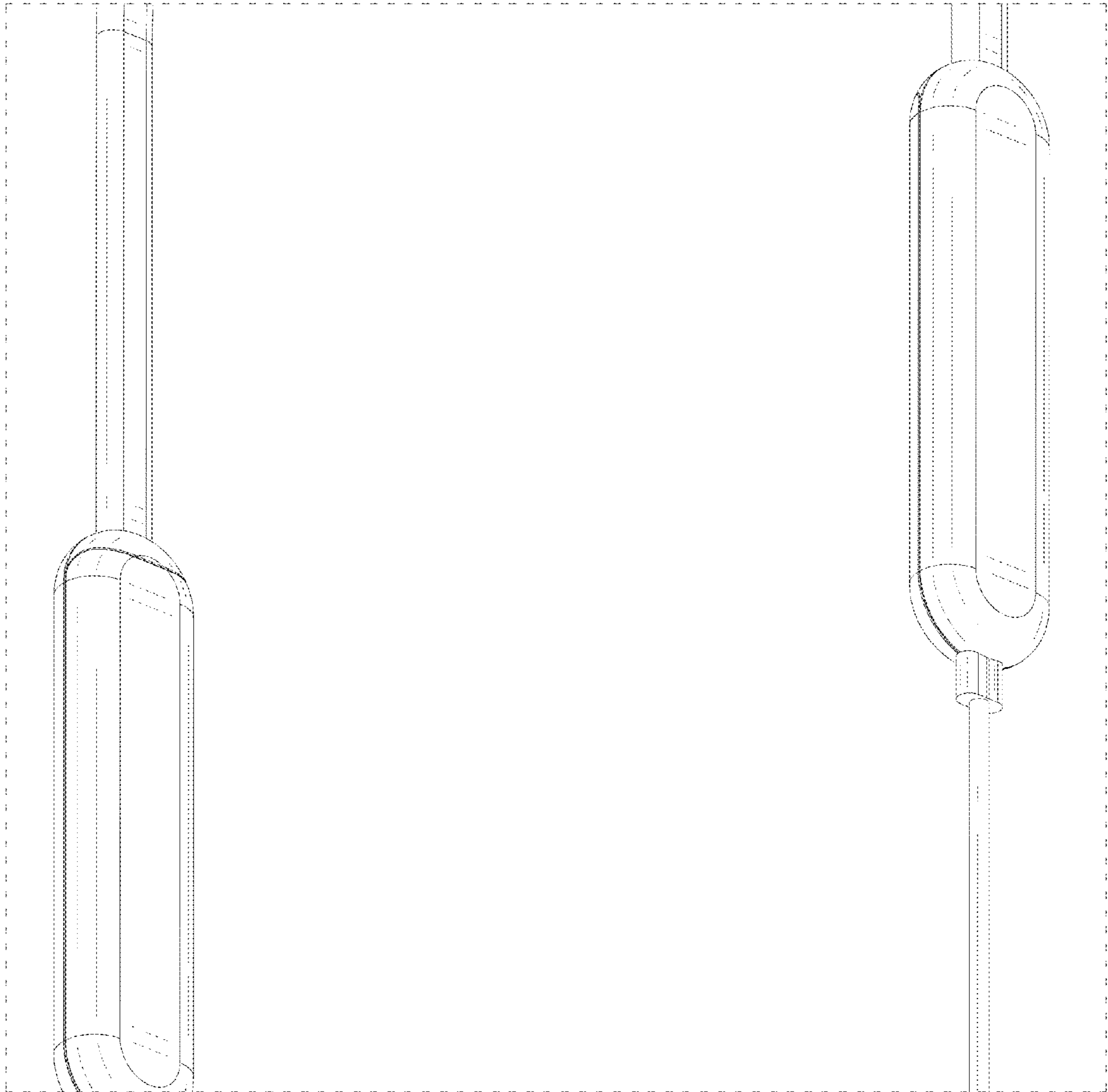


FIG. 10

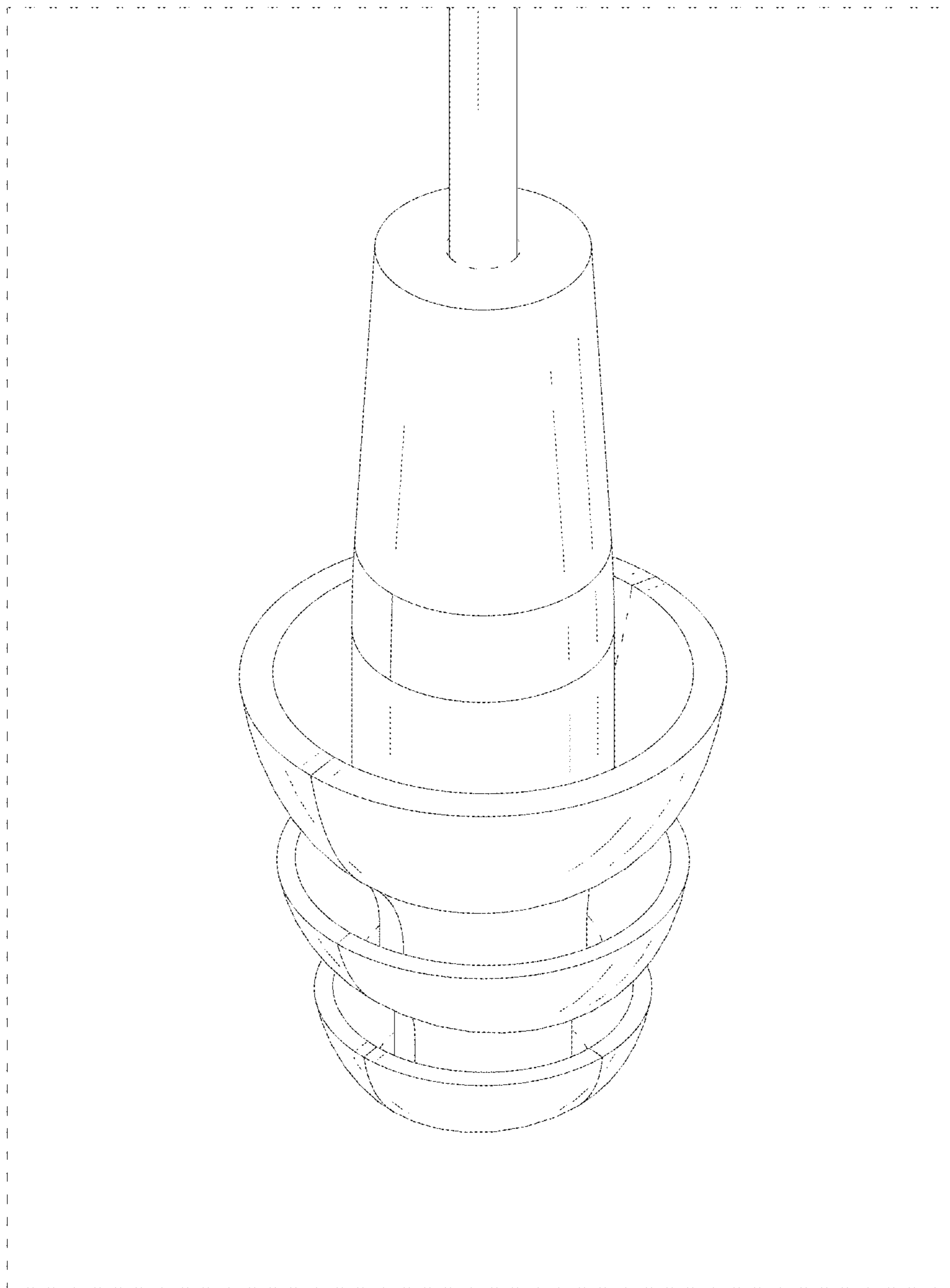


FIG. 11

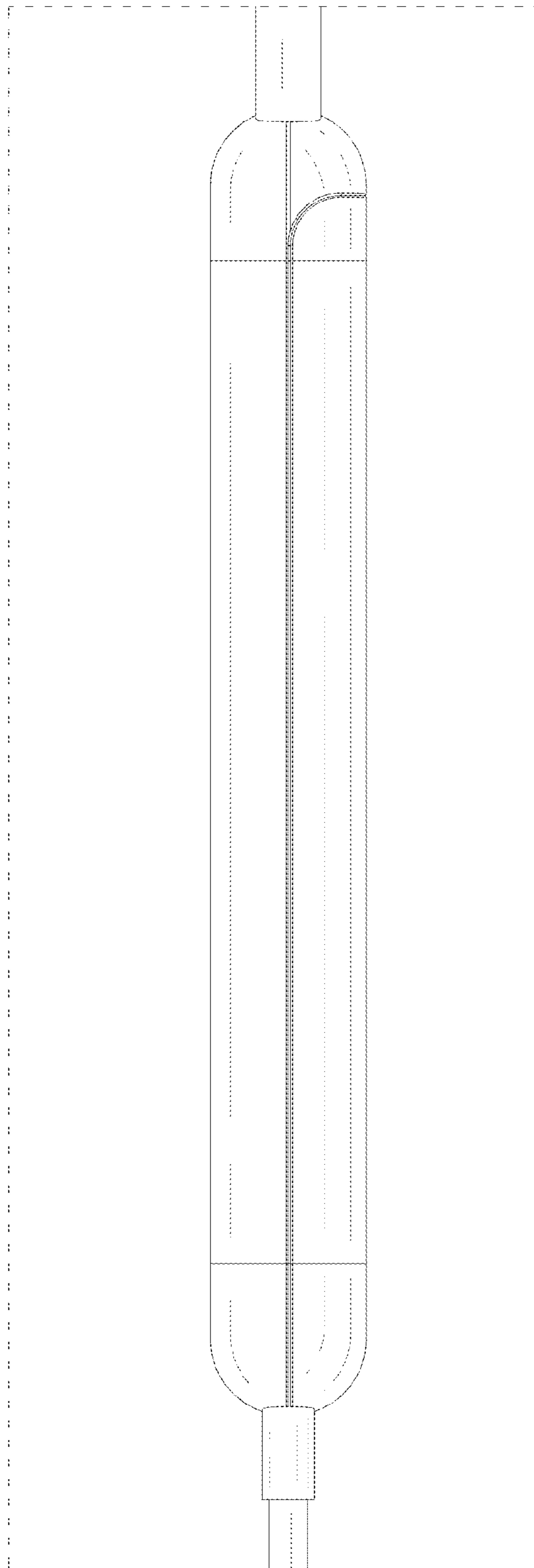


FIG. 12