



US00D968361S

(12) **United States Design Patent**  
**Tang**

(10) **Patent No.:** **US D968,361 S**  
(45) **Date of Patent:** **\*\* Nov. 1, 2022**

(54) **HEADPHONES**  
(71) Applicant: **SHENZHEN QIANHAI PATUOXUN NETWORK AND TECHNOLOGY CO., LTD.**, Shenzhen (CN)  
(72) Inventor: **Yuan Tang**, Shenzhen (CN)  
(73) Assignee: **SHENZHEN QIANHAI PATUOXUN NETWORK AND TECHNOLOGY CO., LTD.**, Shenzhen (CN)

(\*\*) Term: **15 Years**  
(21) Appl. No.: **29/776,339**  
(22) Filed: **Mar. 29, 2021**

(30) **Foreign Application Priority Data**

Nov. 13, 2020 (EM) ..... 008268031-0002

(51) **LOC (13) Cl.** ..... **14-01**

(52) **U.S. Cl.**  
USPC ..... **D14/205**

(58) **Field of Classification Search**  
USPC ..... D14/205, 206, 226; D29/112; 2/209;  
381/380-381, 374, 370; 362/105, 106  
CPC ..... H04R 25/00; H04R 25/02; H04R 1/1016;  
H04R 1/1066; H04R 5/033; H04R  
5/0335; H04R 1/105; H04R 1/1083;  
H04R 1/1058; F21V 33/0056

See application file for complete search history.

(56) **References Cited**

**U.S. PATENT DOCUMENTS**

D229,833 S \* 1/1974 Becker ..... D14/205  
D299,337 S \* 1/1989 Wiegel ..... D14/206  
5,384,857 A \* 1/1995 Nordin ..... A61F 11/14  
381/374  
5,996,123 A \* 12/1999 Leight ..... A61F 11/14  
181/129

6,151,717 A \* 11/2000 Lindgren ..... A61F 11/14  
181/129  
6,295,366 B1 \* 9/2001 Haller ..... H04R 5/0335  
379/430  
D465,616 S \* 11/2002 Nilsson ..... A61F 11/14  
D29/112  
6,611,963 B2 \* 9/2003 Woo ..... H04R 5/0335  
2/209  
D499,216 S \* 11/2004 Haglund ..... A61F 11/14  
D29/122  
6,918,678 B2 \* 7/2005 McClanahan ..... H04R 1/028  
362/253  
D512,708 S \* 12/2005 Harris, Jr. .... D14/205  
7,114,823 B2 \* 10/2006 McCullough ..... F21V 33/0056  
381/74  
D663,900 S \* 7/2012 Karlsson ..... A61F 11/14  
D29/112  
D663,902 S \* 7/2012 Karlsson ..... A61F 11/14  
D29/122  
D729,196 S \* 5/2015 Liu ..... D14/205

(Continued)

**FOREIGN PATENT DOCUMENTS**

EM 008268031-0002 \* 11/2020

*Primary Examiner* — Paula Allen Greene

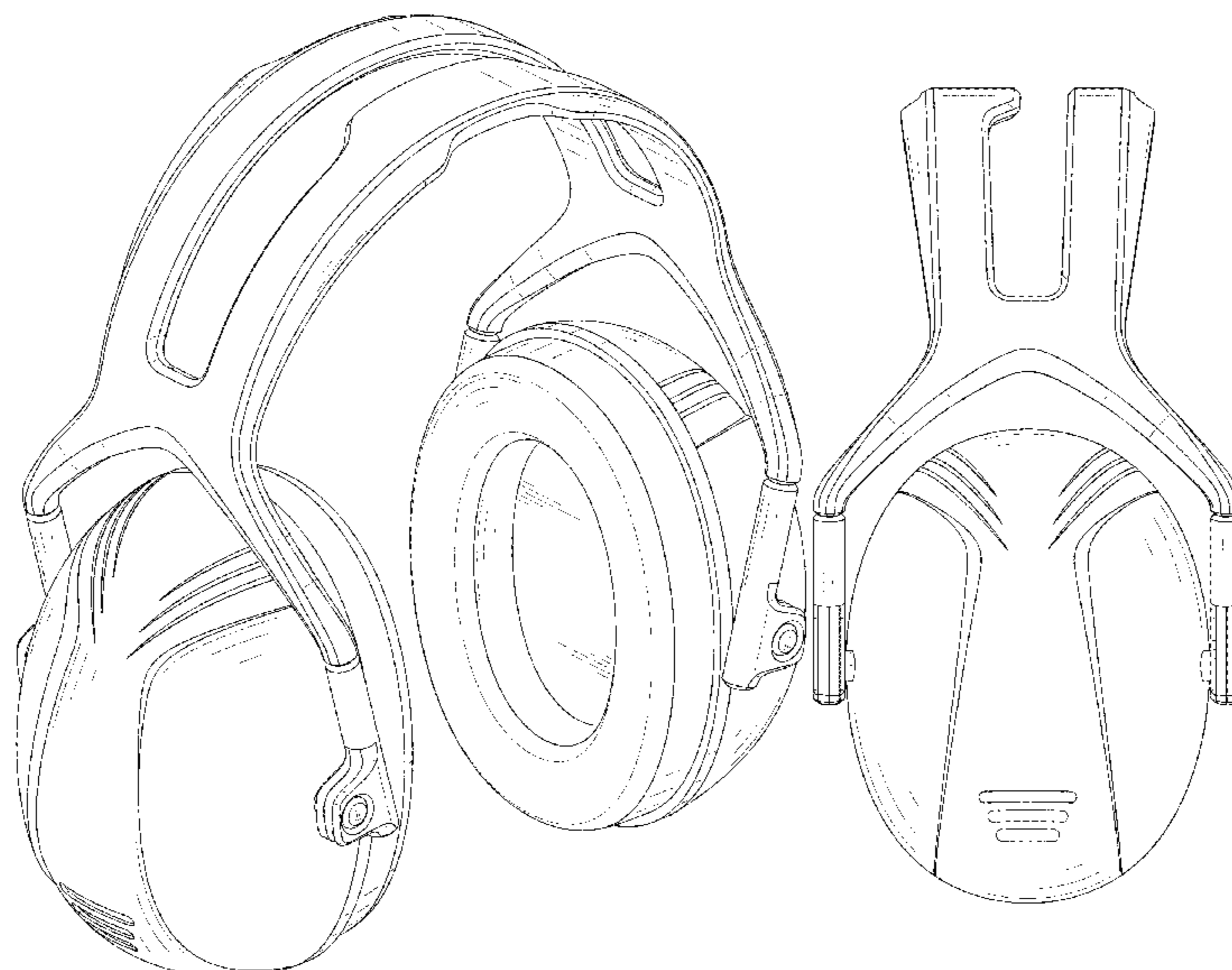
(57) **CLAIM**

The ornamental design for headphones, as shown and described.

**DESCRIPTION**

FIG. 1 is a perspective view of headphones showing my new design;  
FIG. 2 is another perspective view thereof;  
FIG. 3 is a front elevational view thereof;  
FIG. 4 is a rear elevational view thereof;  
FIG. 5 is a left side elevational view thereof;  
FIG. 6 is a right side elevational view thereof;  
FIG. 7 is a top plan view thereof; and,  
FIG. 8 is a bottom plan view thereof.

**1 Claim, 8 Drawing Sheets**



(56)

**References Cited**

U.S. PATENT DOCUMENTS

D805,697 S \* 12/2017 Pratley ..... D29/112  
D807,584 S \* 1/2018 Fletcher ..... D29/112  
D830,993 S \* 10/2018 Petersen ..... D14/205  
D851,839 S \* 6/2019 Scanlon ..... D29/112  
D885,683 S \* 5/2020 Qiu ..... D29/112  
D902,496 S \* 11/2020 Bui ..... D29/112  
D916,681 S \* 4/2021 He ..... D14/206  
D921,992 S \* 6/2021 Hemeyer ..... D29/112  
D931,831 S \* 9/2021 Liu ..... D14/206  
D935,441 S \* 11/2021 Liu ..... D14/206  
D940,099 S \* 1/2022 Zheng ..... D14/206  
D941,803 S \* 1/2022 He ..... D14/206  
D953,290 S \* 5/2022 Liu ..... D14/206  
2011/0225705 A1 \* 9/2011 Fernandes ..... A61F 11/14  
2/209  
2013/0340769 A1 \* 12/2013 Roos ..... A61F 11/14  
128/866  
2020/0030151 A1 \* 1/2020 Hemberg ..... H04R 1/1083

\* cited by examiner

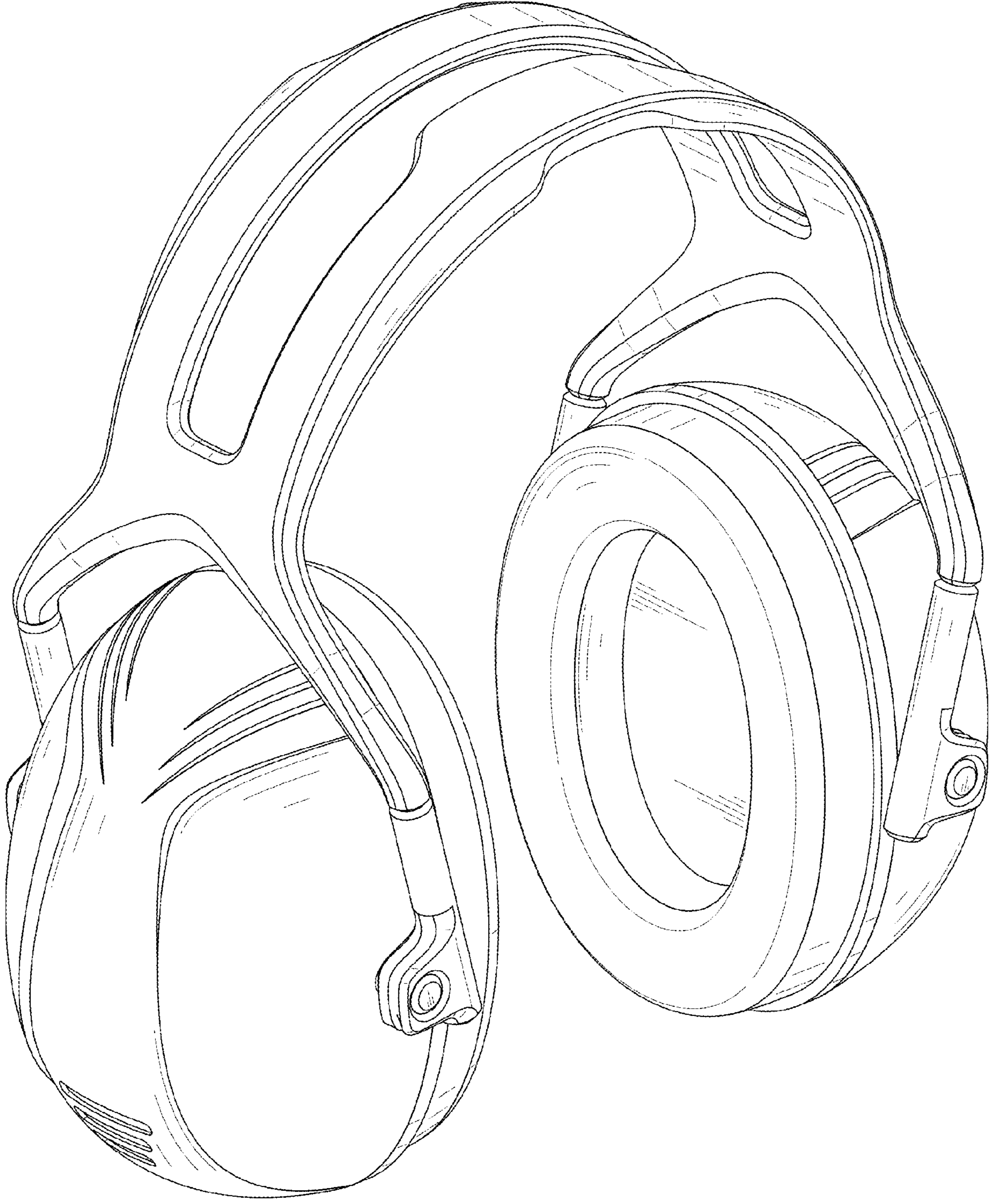


FIG. 1

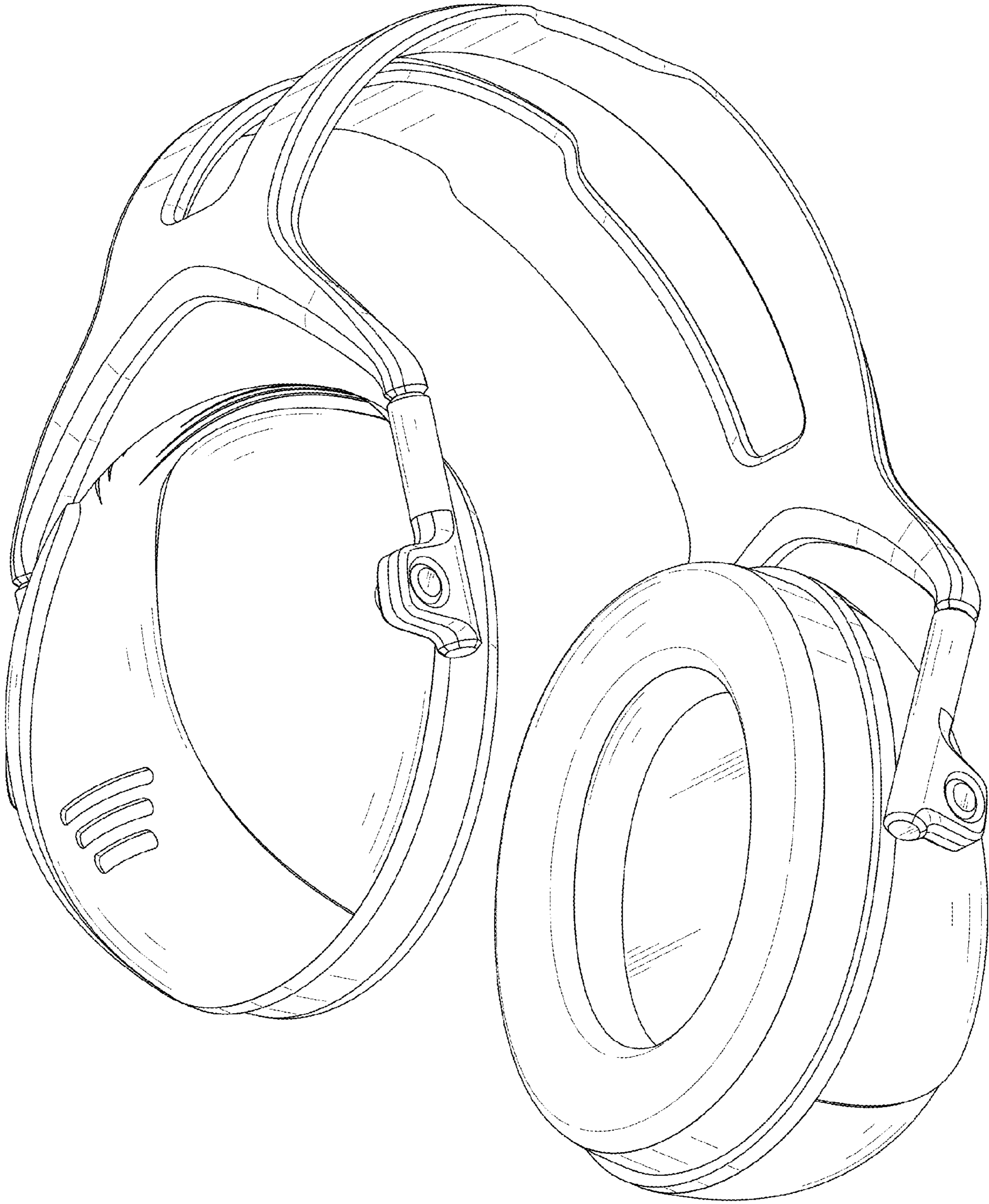


FIG. 2

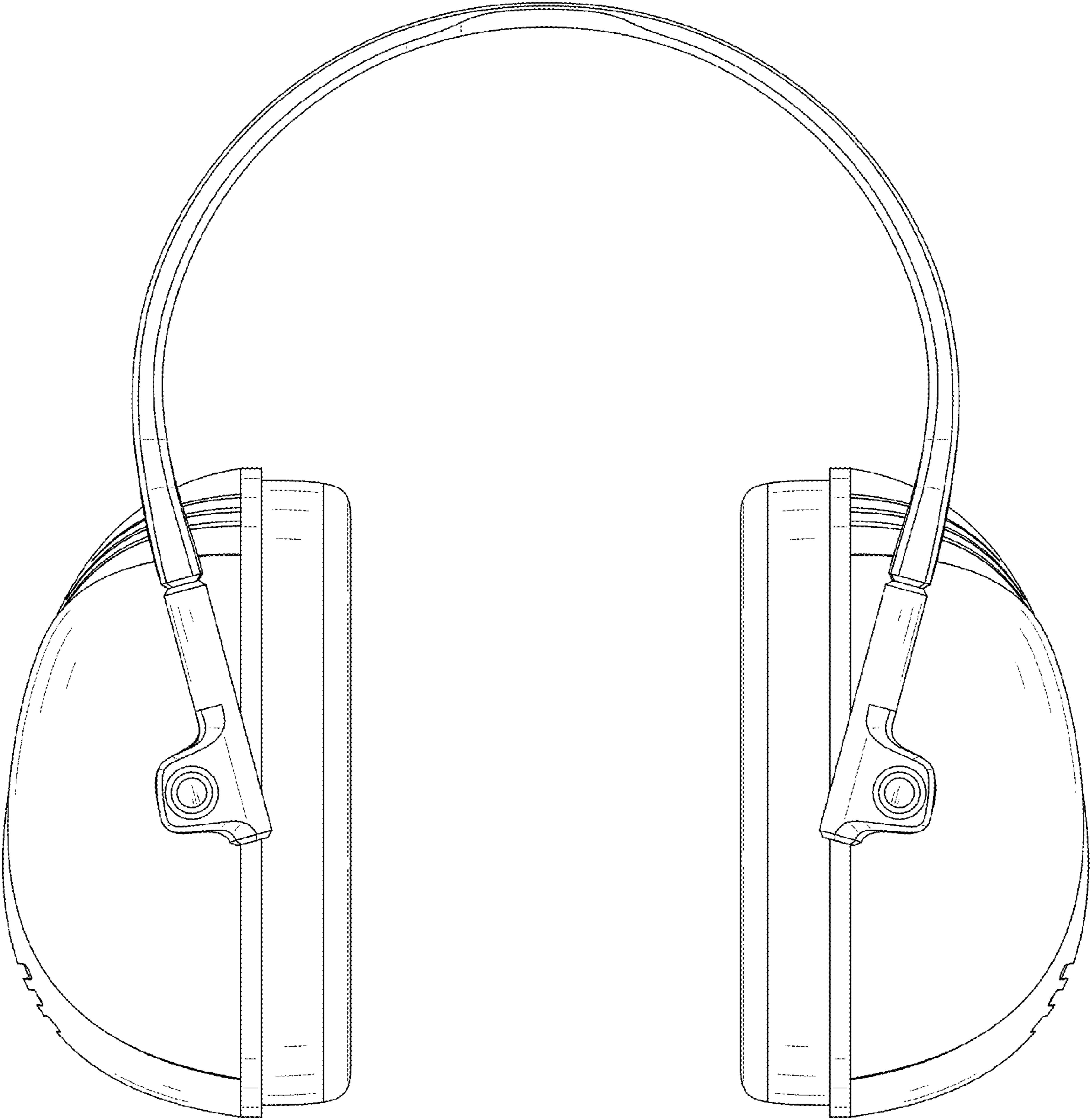


FIG. 3

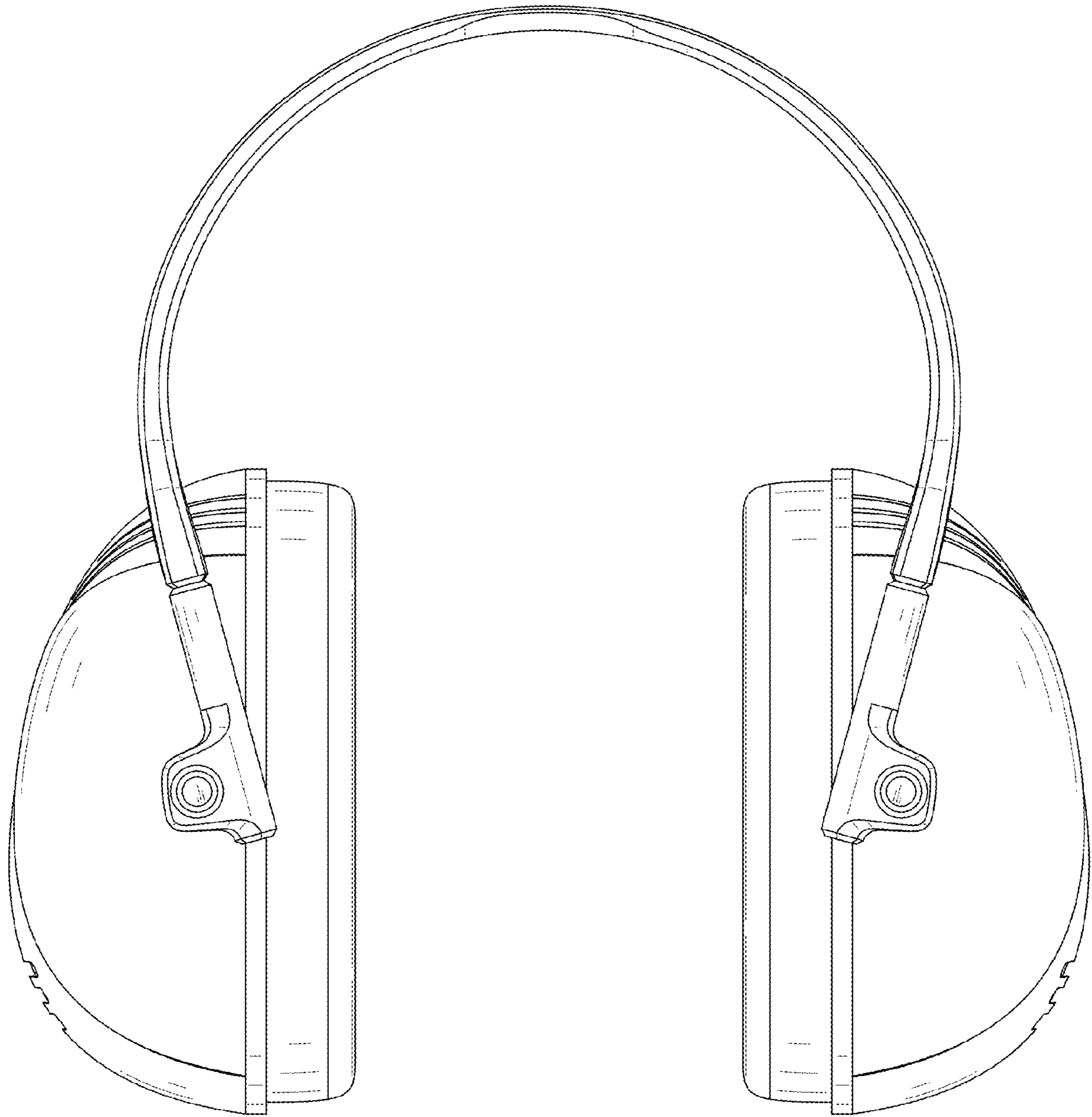


FIG. 4

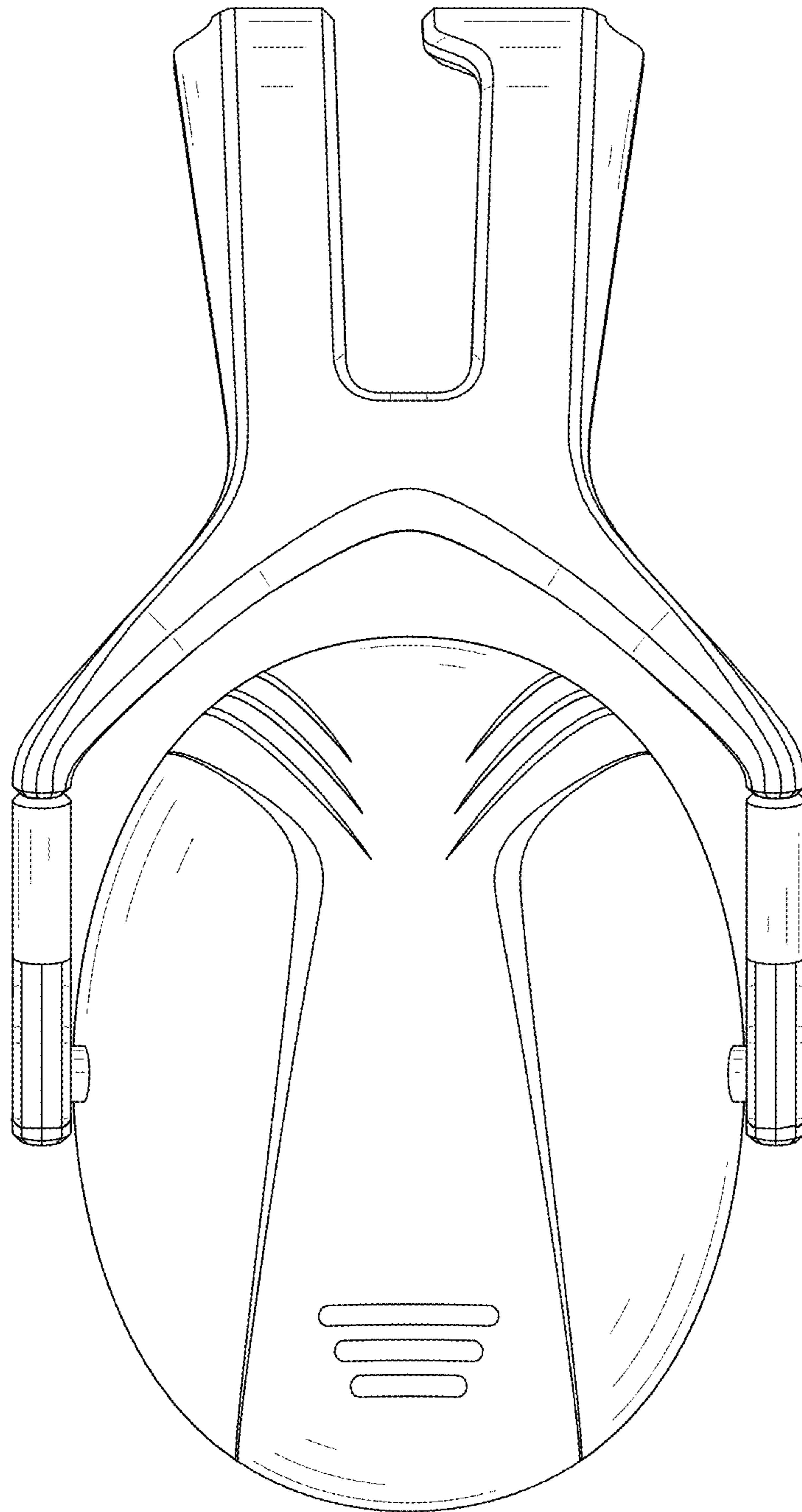


FIG. 5

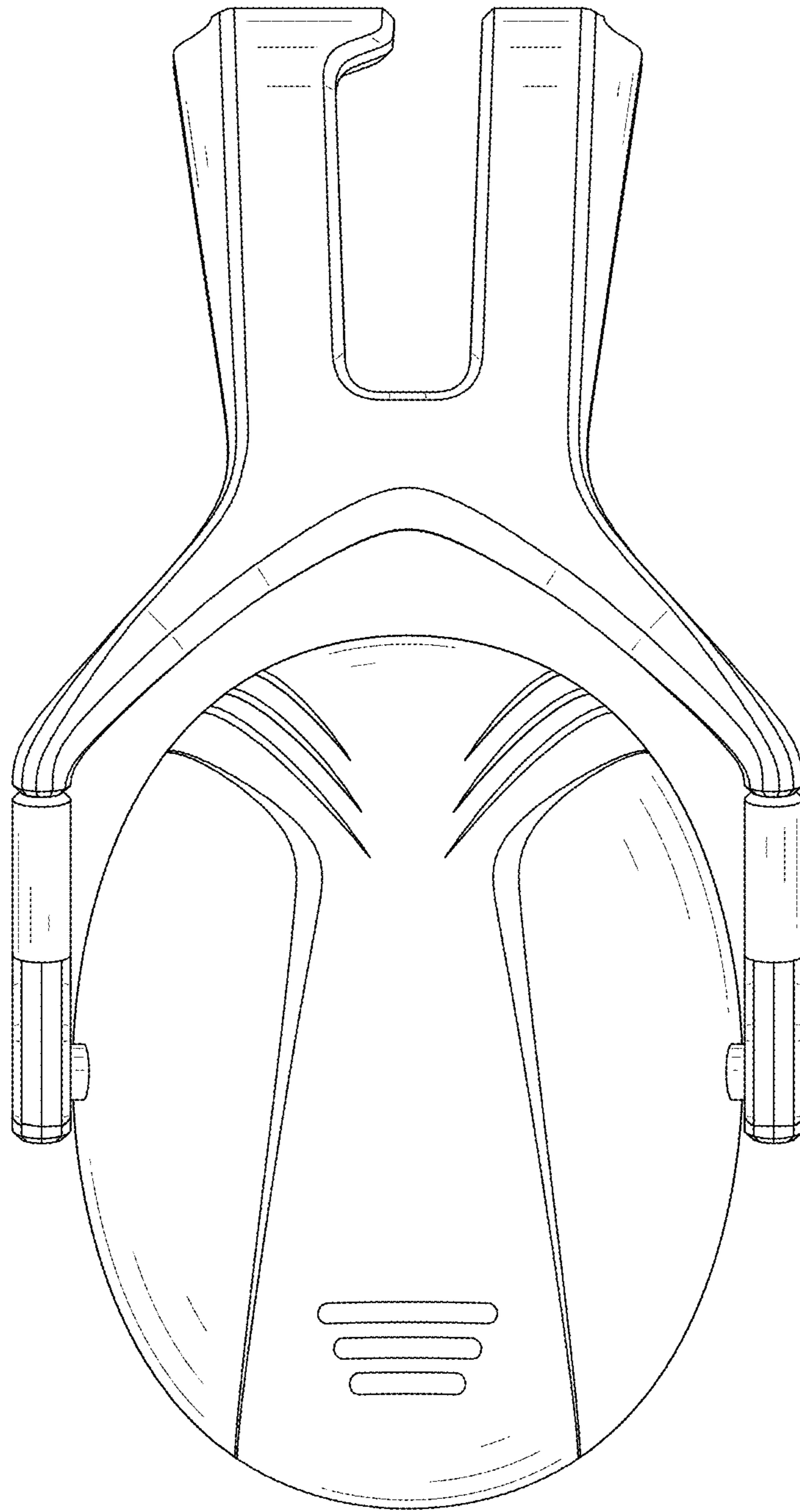


FIG. 6



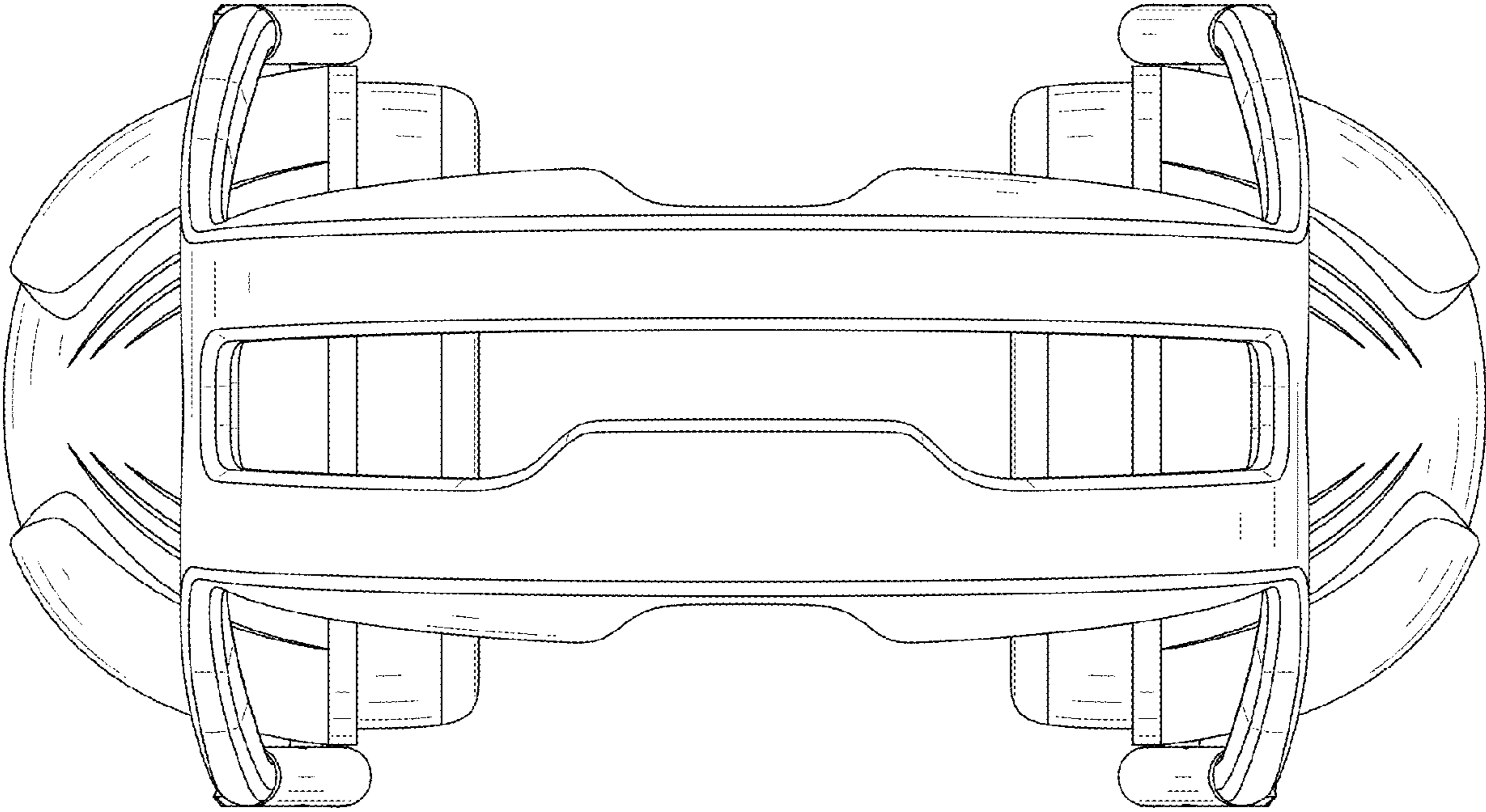


FIG. 7

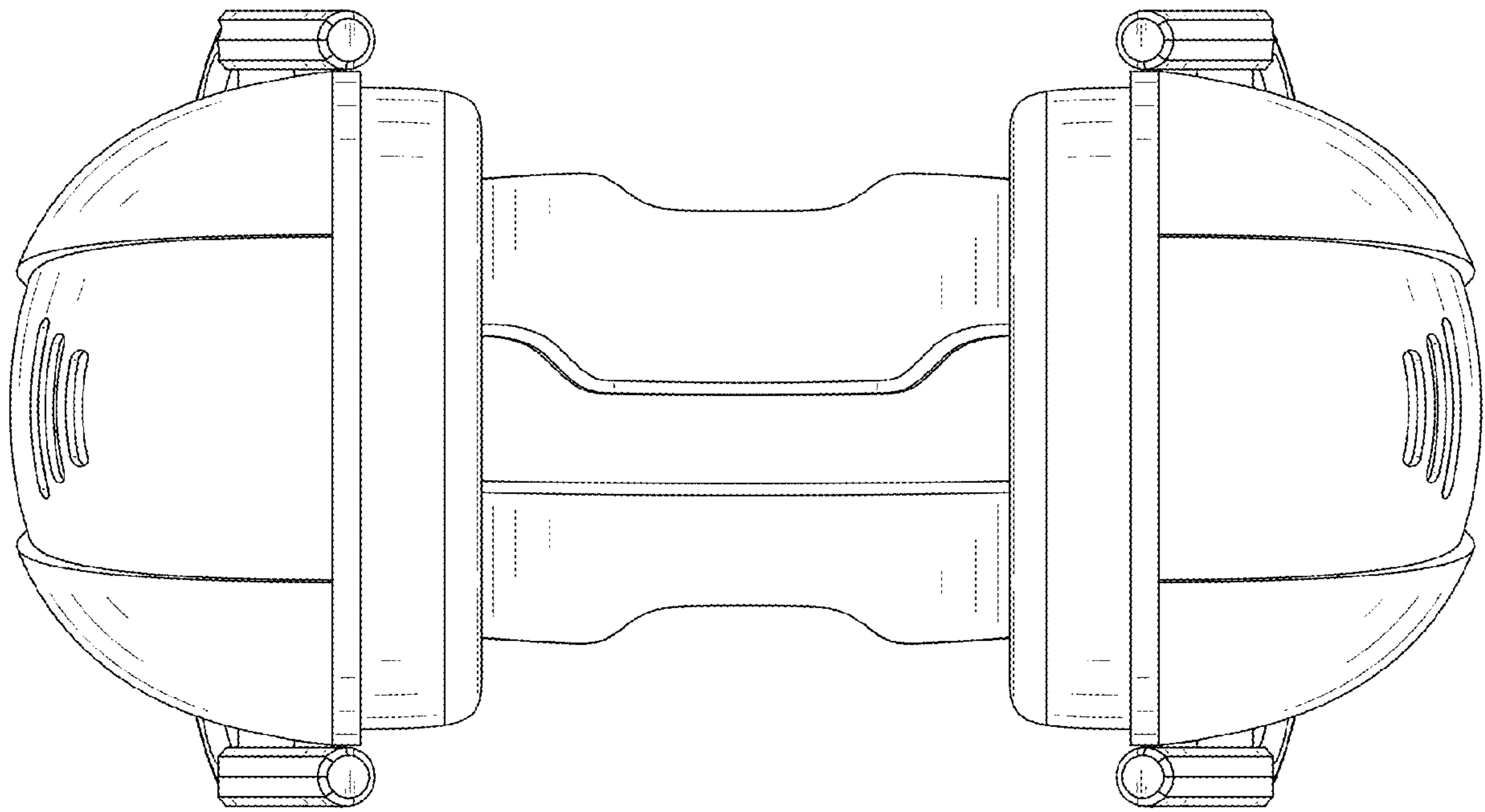


FIG. 8