



US00D968358S

(12) **United States Design Patent** (10) **Patent No.:** **US D968,358 S**
De (45) **Date of Patent:** **** Nov. 1, 2022**

(54) **HEADPHONE**

FOREIGN PATENT DOCUMENTS

(71) Applicant: **Panasonic Intellectual Property Management Co., Ltd.**, Osaka (JP)

CN 307255577 * 4/2022
EM 008641369-0001 * 8/2021

(Continued)

(72) Inventor: **Pinakesh De**, Kyoto (JP)

Primary Examiner — Paula Allen Greene

(73) Assignee: **PANASONIC INTELLECTUAL PROPERTY MANAGEMENT CO., LTD.**, Osaka (JP)

(74) *Attorney, Agent, or Firm* — Crowell & Moring LLP

(57) **CLAIM**

The ornamental design for a headphone, as shown and described.

(**) Term: **15 Years**

DESCRIPTION

(21) Appl. No.: **29/770,085**

FIG. 1 is a front perspective view of a headphone according to a first embodiment of the present invention;

(22) Filed: **Feb. 9, 2021**

FIG. 2 is a front view thereof;

(30) **Foreign Application Priority Data**

Dec. 14, 2020 (JP) 2020-026810 D

FIG. 3 is a rear view thereof;

(51) **LOC (13) Cl.** **14-01**

FIG. 4 is a first side view thereof;

(52) **U.S. Cl.**

USPC **D14/205**

FIG. 5 is a second side view thereof;

(58) **Field of Classification Search**

USPC D14/205, 206; D29/112; 2/209; 381/380, 381, 374, 370

FIG. 6 is a top view thereof;

CPC H04R 25/00; H04R 25/02; H04R 19/04; H04R 1/1008; H04R 5/04; H04R 1/1041;

FIG. 7 is a bottom view thereof;

H04R 1/1066; H04R 1/1016; H04R 5/033; H04R 5/0335; H04R 1/1091

FIG. 8 is a front perspective view of a headphone according to a second embodiment of the present invention;

See application file for complete search history.

FIG. 9 is a front view thereof;

(56) **References Cited**

U.S. PATENT DOCUMENTS

3,891,810 A * 6/1975 Hayashi H04R 1/1008 381/373

FIG. 10 is a rear view thereof;

6,006,115 A * 12/1999 Wingate H04M 1/6033 379/430

FIG. 11 is a first side view thereof;

FIG. 12 is a second side view thereof;

FIG. 13 is a top view thereof;

FIG. 14 is a bottom view thereof;

FIG. 15 is a front perspective view of a headphone according to a third embodiment of the present invention;

FIG. 16 is a front view thereof;

FIG. 17 is a rear view thereof;

FIG. 18 is a first side view thereof;

FIG. 19 is a second side view thereof;

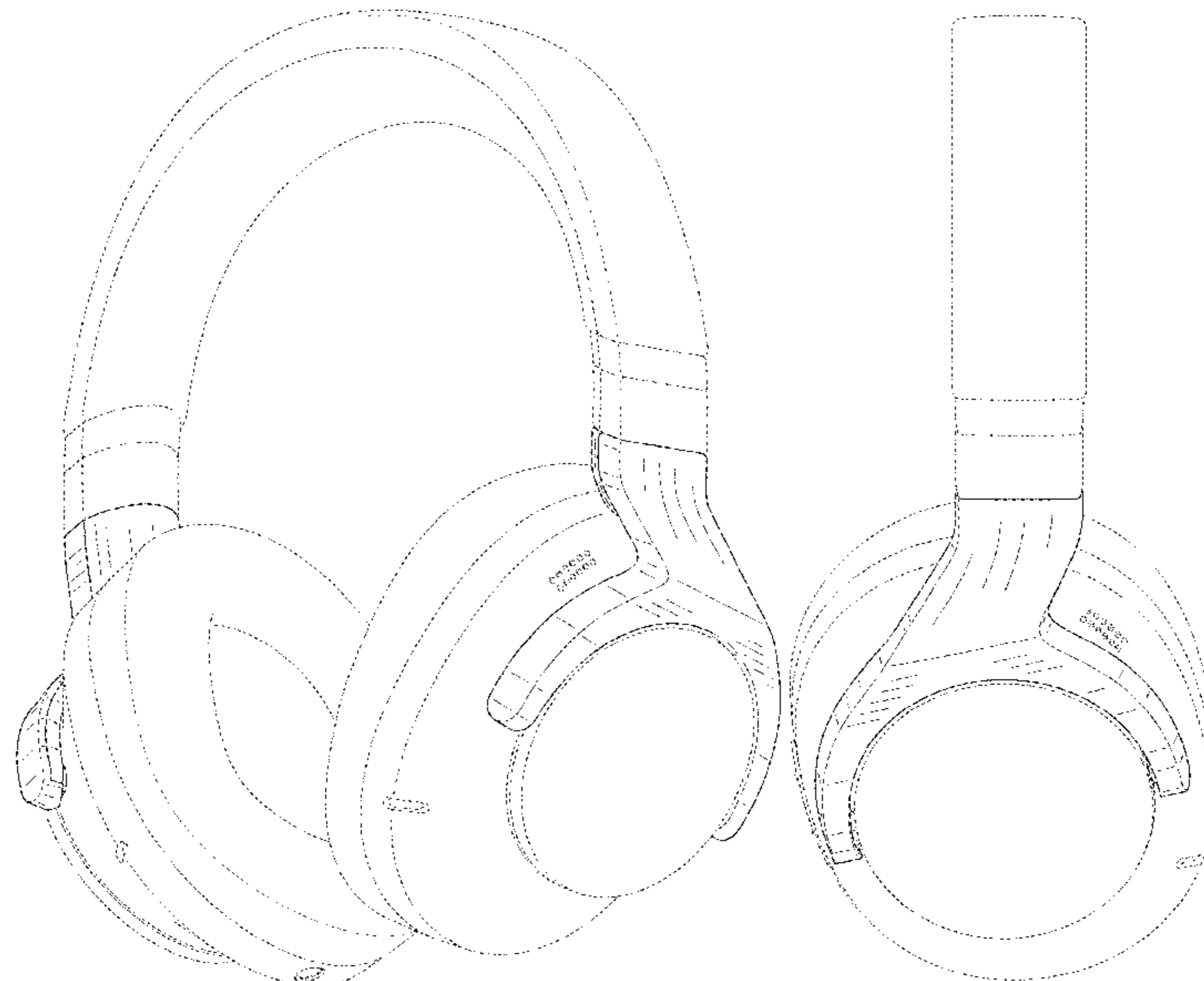
FIG. 20 is a top view thereof; and,

FIG. 21 is a bottom view thereof.

The broken lines depict portions of the headphone that form no part of the claimed design.

(Continued)

1 Claim, 21 Drawing Sheets



(56)

References Cited

U.S. PATENT DOCUMENTS

6,993,143 B2 * 1/2006 Harris H04R 1/1066
 381/374
 8,098,872 B2 * 1/2012 Chang H04R 1/1075
 381/370
 8,325,962 B2 * 12/2012 Ishida H04R 5/0335
 381/384
 D691,109 S * 10/2013 Hardi D14/205
 D708,163 S * 7/2014 Ishikura D14/205
 8,774,420 B2 * 7/2014 Belafonte H04R 1/2811
 381/74
 D723,507 S * 3/2015 Zambelli D14/205
 9,002,026 B2 * 4/2015 Lin H04R 1/1008
 381/74
 D734,297 S * 7/2015 Sasaki D14/205
 D739,842 S * 9/2015 Birger D14/205
 D741,290 S * 10/2015 Schaal D14/205
 D777,701 S * 1/2017 Czaniecki D14/205
 D782,443 S * 3/2017 Nakagawa et al.
 D783,572 S * 4/2017 Matthews D14/205
 D787,470 S * 5/2017 Kelly D14/205
 D800,691 S * 10/2017 Ando D14/205
 D834,260 S * 11/2018 Garcia Mansilla D29/112
 D835,064 S * 12/2018 Morimoto D14/205
 D836,084 S * 12/2018 Xie D14/205
 D838,687 S * 1/2019 Wu D14/205
 D840,370 S * 2/2019 Kelly D14/205
 D851,627 S * 6/2019 ter Laag D14/205
 D852,163 S * 6/2019 Nagamine D14/205
 D852,775 S * 7/2019 Ando D14/205
 D852,776 S * 7/2019 Zhu D14/205
 D859,354 S * 9/2019 Xia D14/205
 D860,161 S * 9/2019 Xia D14/205
 D860,163 S * 9/2019 Xia D14/205
 D864,897 S * 10/2019 Qin D14/205
 D864,900 S * 10/2019 Miller D14/205
 D868,731 S * 12/2019 Jung D14/205
 D868,733 S * 12/2019 Luo D14/205
 D869,432 S * 12/2019 Jung D14/205
 D869,437 S * 12/2019 Hu D14/205
 D871,367 S * 12/2019 Zhijun D14/205
 D877,114 S * 3/2020 Lindenberger D14/205
 D883,949 S * 5/2020 Hu D14/205

D884,671 S * 5/2020 Cho D14/205
 D886,078 S * 6/2020 He D14/206
 D890,123 S * 7/2020 Yoshimura D14/205
 D892,079 S * 8/2020 Wu D14/205
 D893,450 S * 8/2020 Matsubara D14/205
 D893,451 S * 8/2020 Nagamine D14/205
 D894,151 S * 8/2020 Nagamine D14/205
 D897,309 S * 9/2020 Cho D14/205
 D900,054 S * 10/2020 Kim D14/204
 D901,436 S * 11/2020 Peng D14/205
 D905,004 S * 12/2020 Nakayama D14/205
 D907,003 S * 1/2021 Liu D14/205
 D908,663 S * 1/2021 Tamamura D14/205
 D917,420 S * 4/2021 Zheng D14/205
 D918,171 S * 5/2021 Nakayama D14/205
 D918,867 S * 5/2021 Chong D14/205
 D923,600 S * 6/2021 Shibukawa D14/205
 D929,364 S * 8/2021 Futo D14/206
 D937,804 S * 12/2021 Deng D14/205
 D938,934 S * 12/2021 Tsubone D14/205
 D944,759 S * 3/2022 Vaclavik D14/205
 D944,761 S * 3/2022 Lee D14/205
 D946,551 S * 3/2022 Liu D14/205
 D947,813 S * 4/2022 He D14/206
 D952,599 S * 5/2022 Bellham D14/206
 2008/0069391 A1 * 3/2008 Steyn H04R 1/1091
 381/371
 2014/0363016 A1 * 12/2014 Blonder H03F 3/181
 381/74
 2017/0230746 A1 * 8/2017 Silvestri G10K 11/162
 2020/0389719 A1 * 12/2020 Morris H04R 5/0335

FOREIGN PATENT DOCUMENTS

EM 008812275-0001 * 12/2021
 JP D1543575 S 2/2016
 JP D1656733 S 4/2020
 JP D1697413 * 9/2021
 JP D1697414 * 9/2021
 JP D1697511 * 9/2021
 JP D1697512 * 9/2021
 JP D1707377 * 2/2022
 JP D1716678 * 5/2022

* cited by examiner

FIG. 1

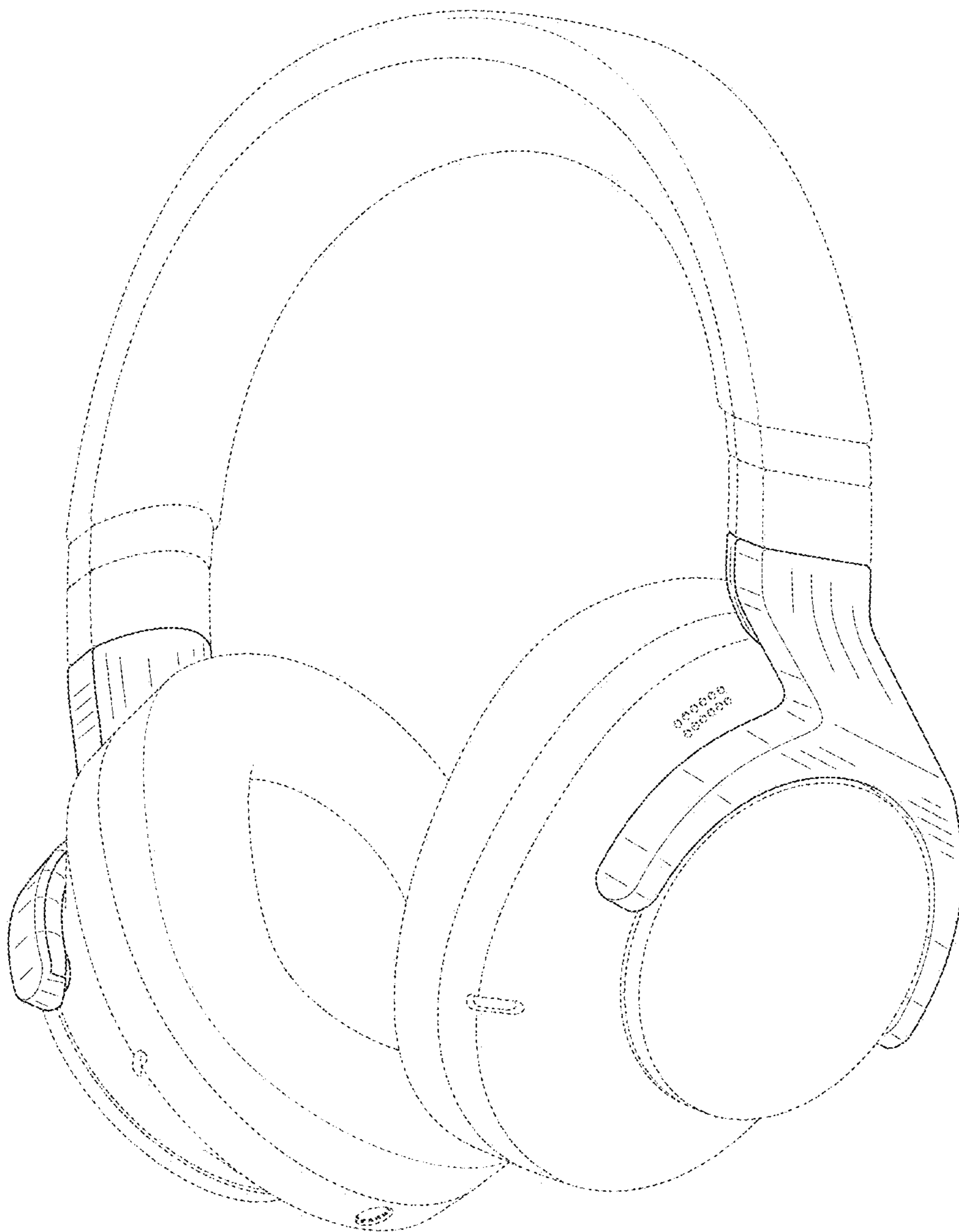


FIG. 2

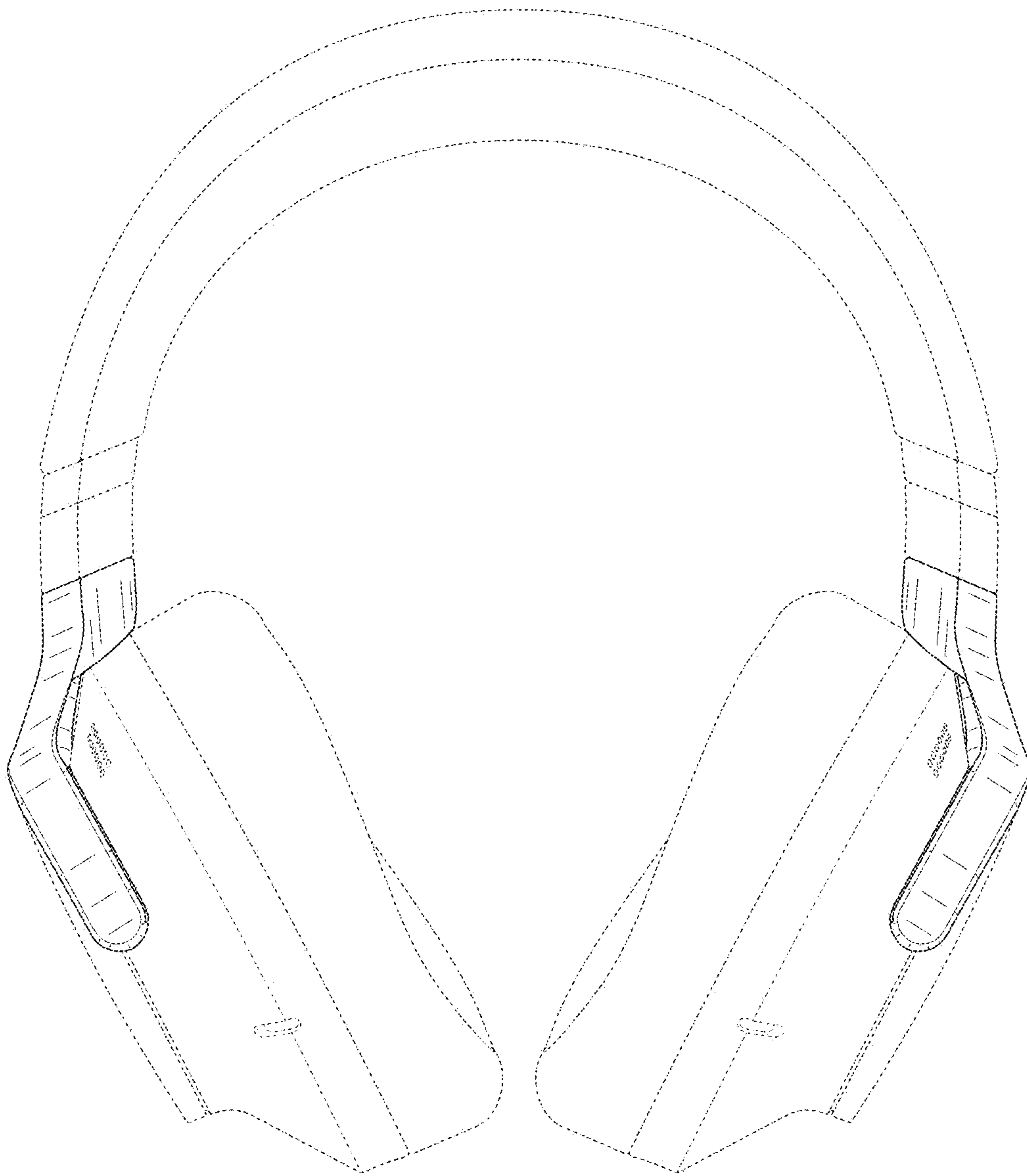


FIG. 3

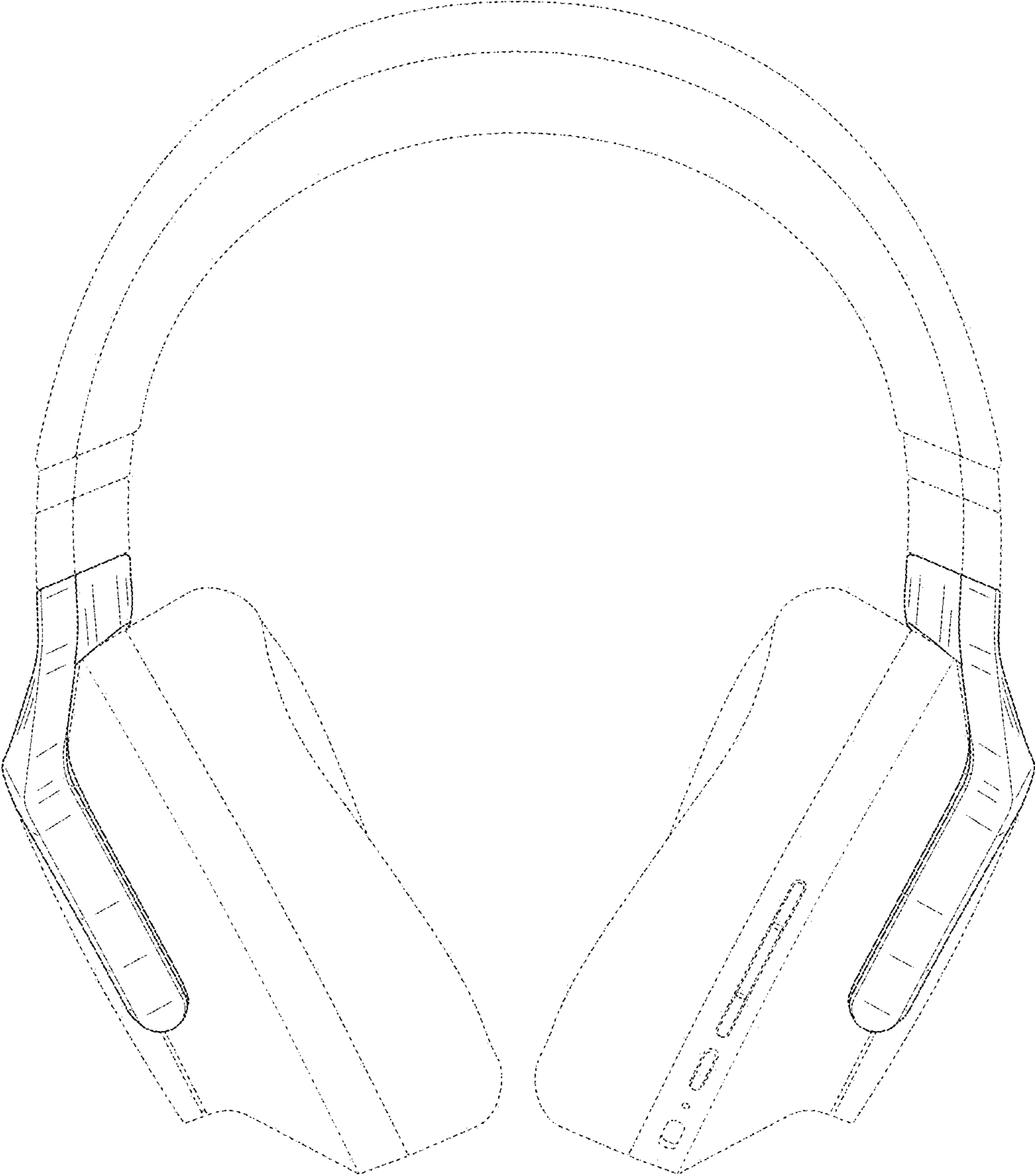


FIG. 4

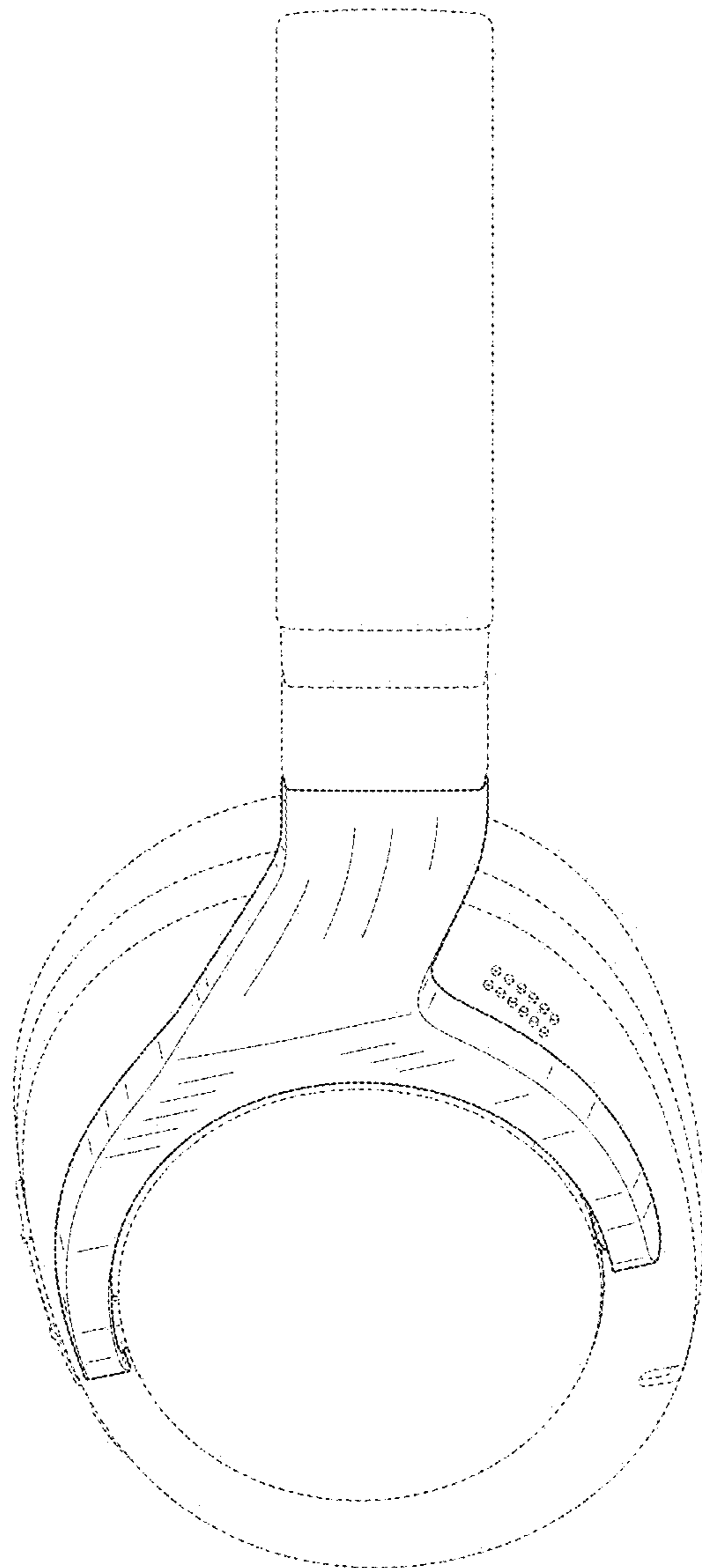


FIG. 5

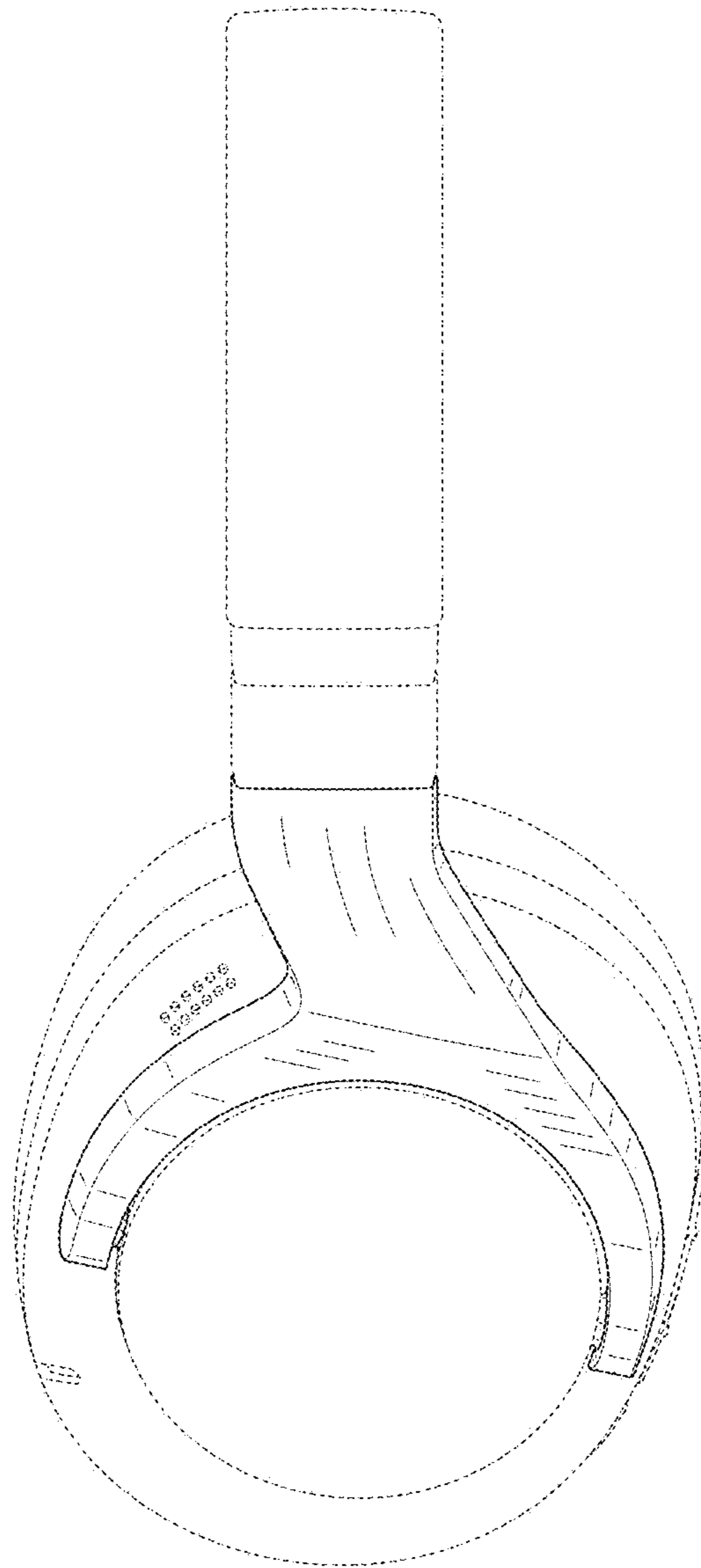


FIG. 6

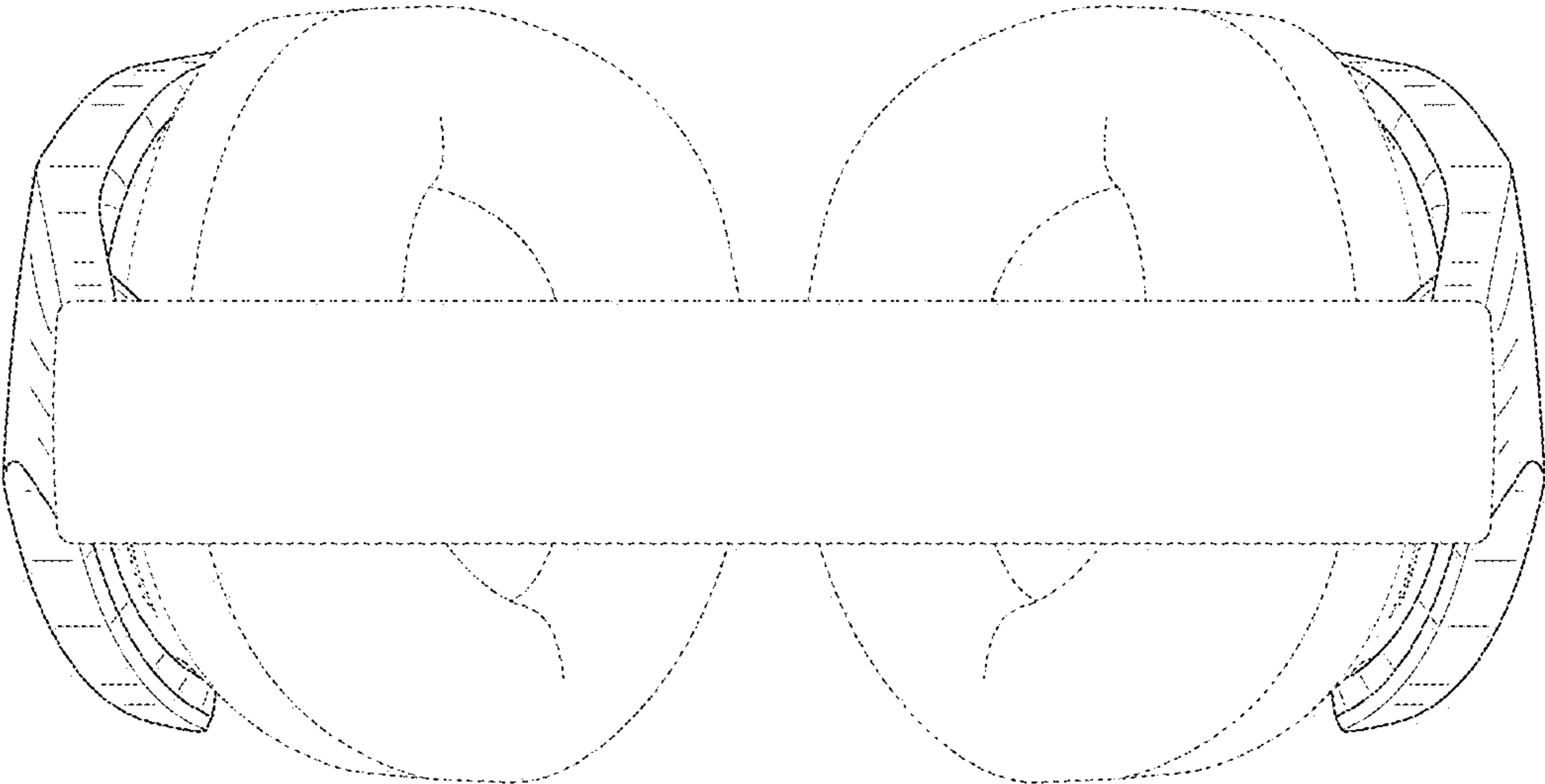


FIG. 7

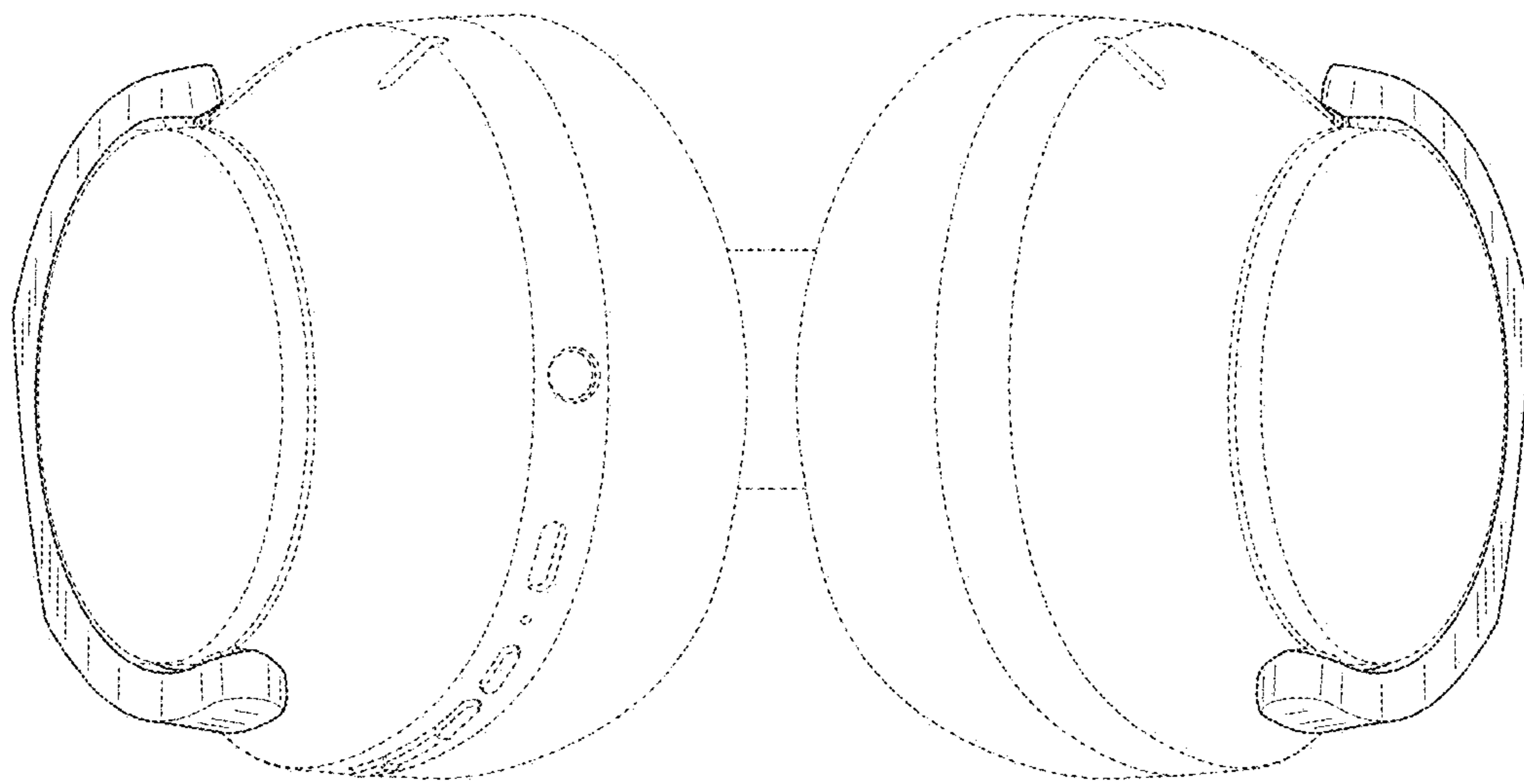


FIG. 8

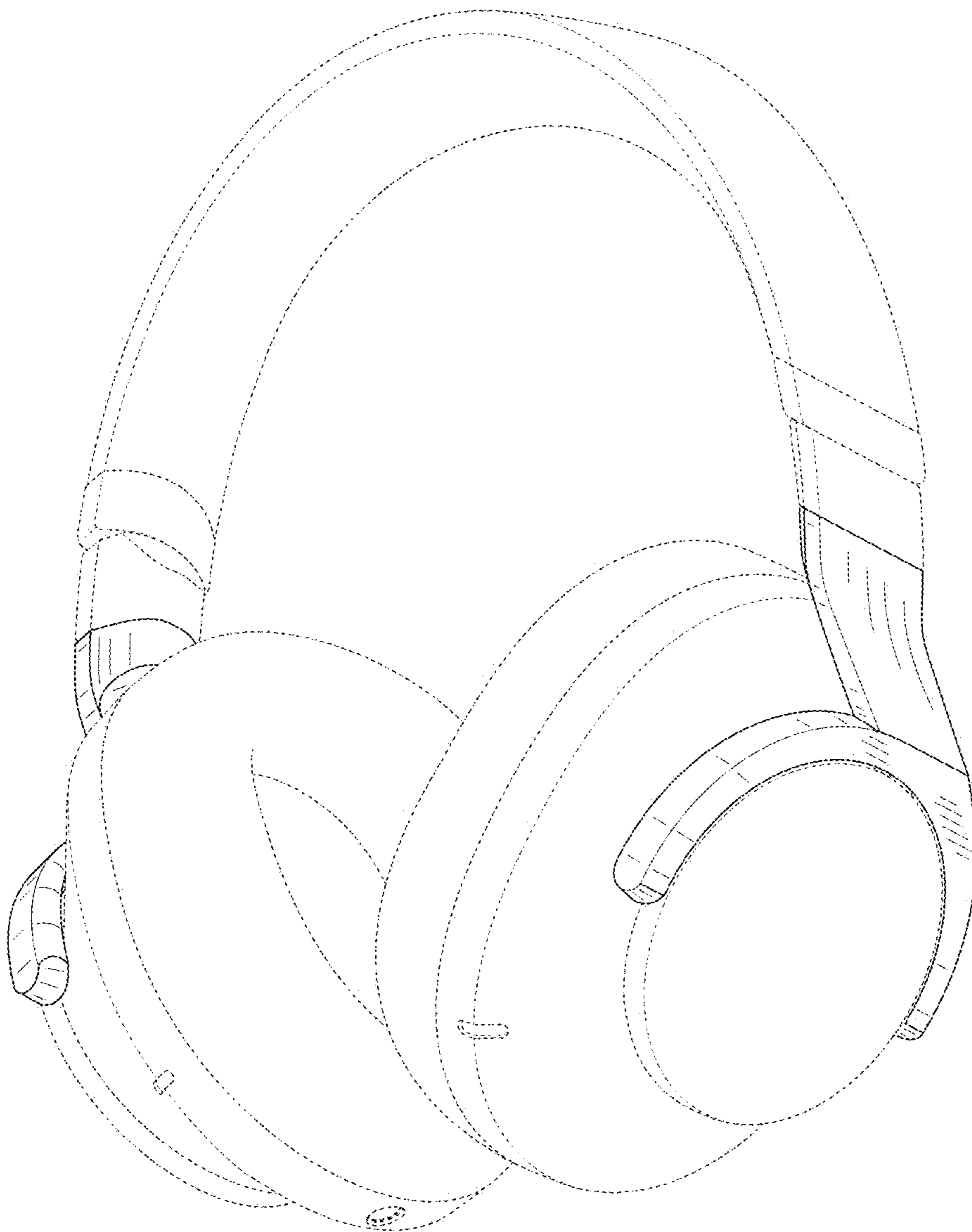


FIG. 9



FIG. 10



FIG. 11

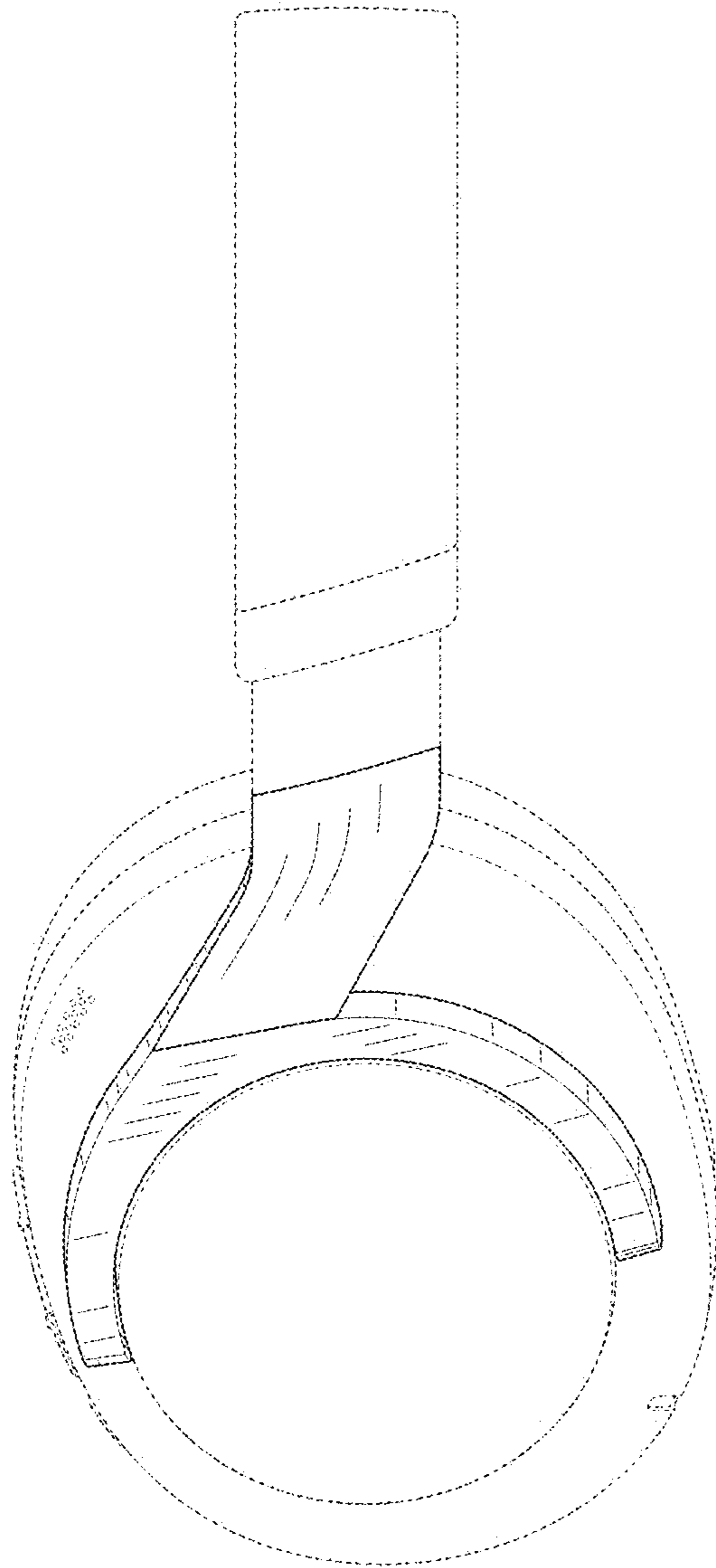


FIG. 12

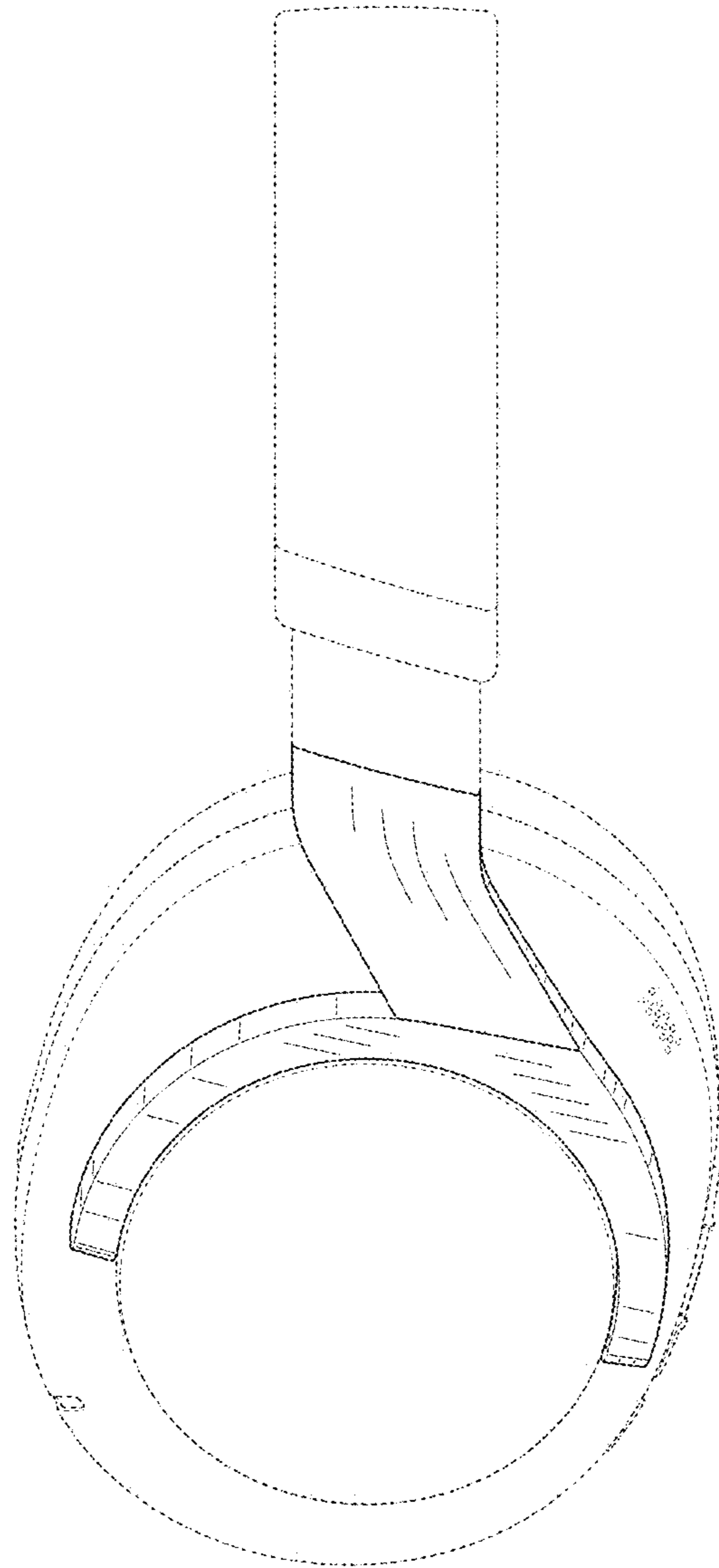


FIG. 13

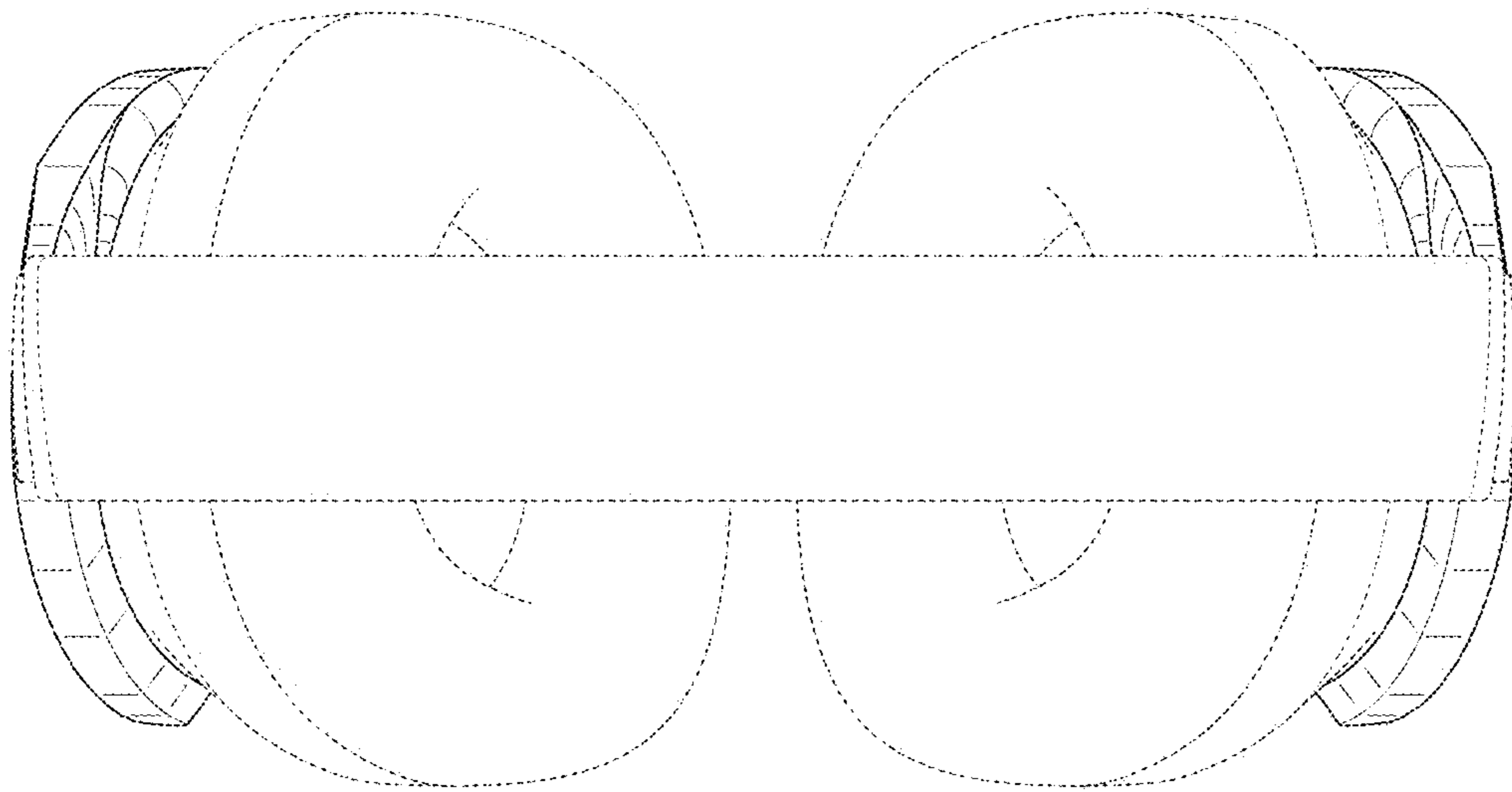


FIG. 14

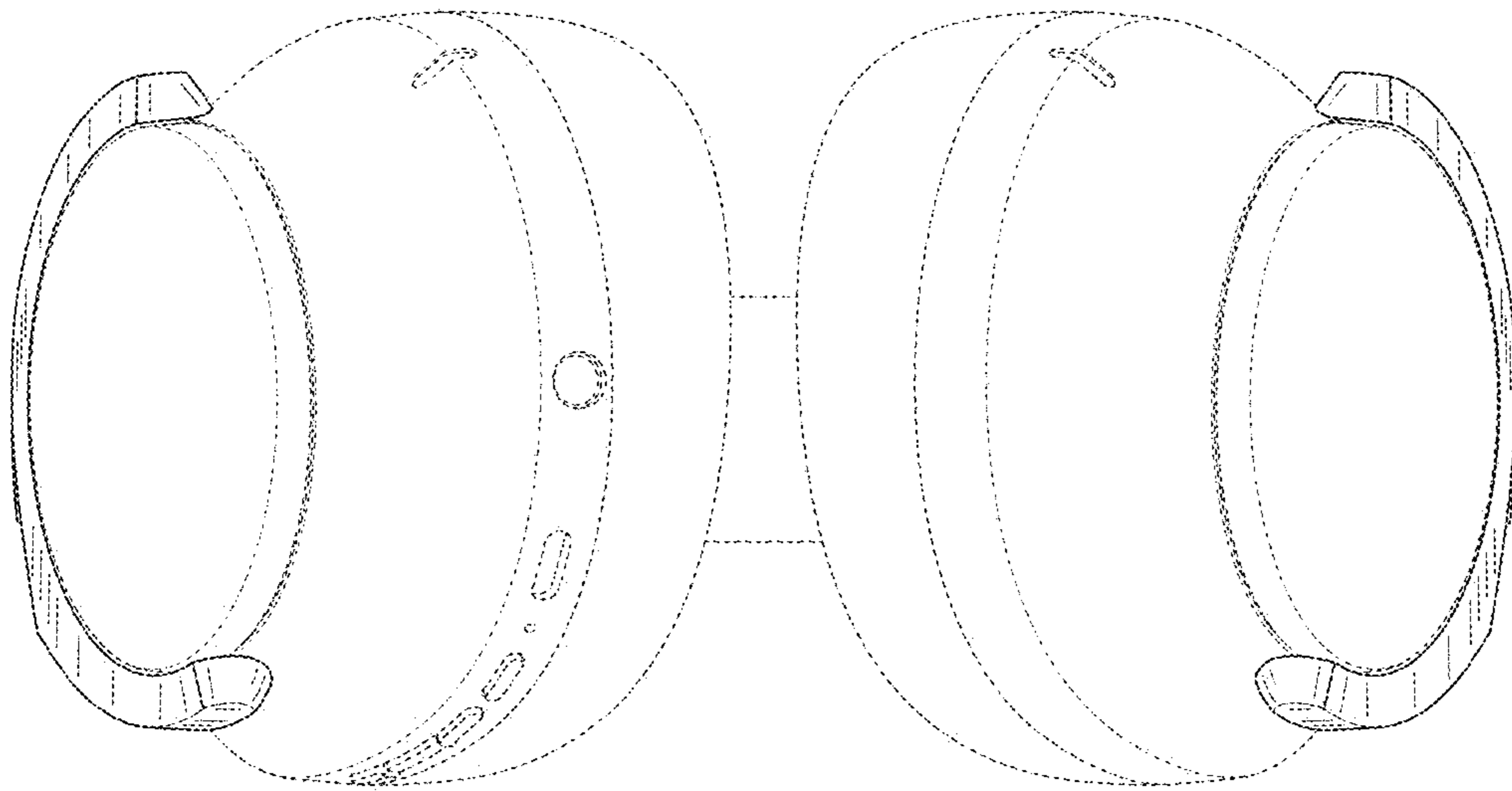


FIG. 15

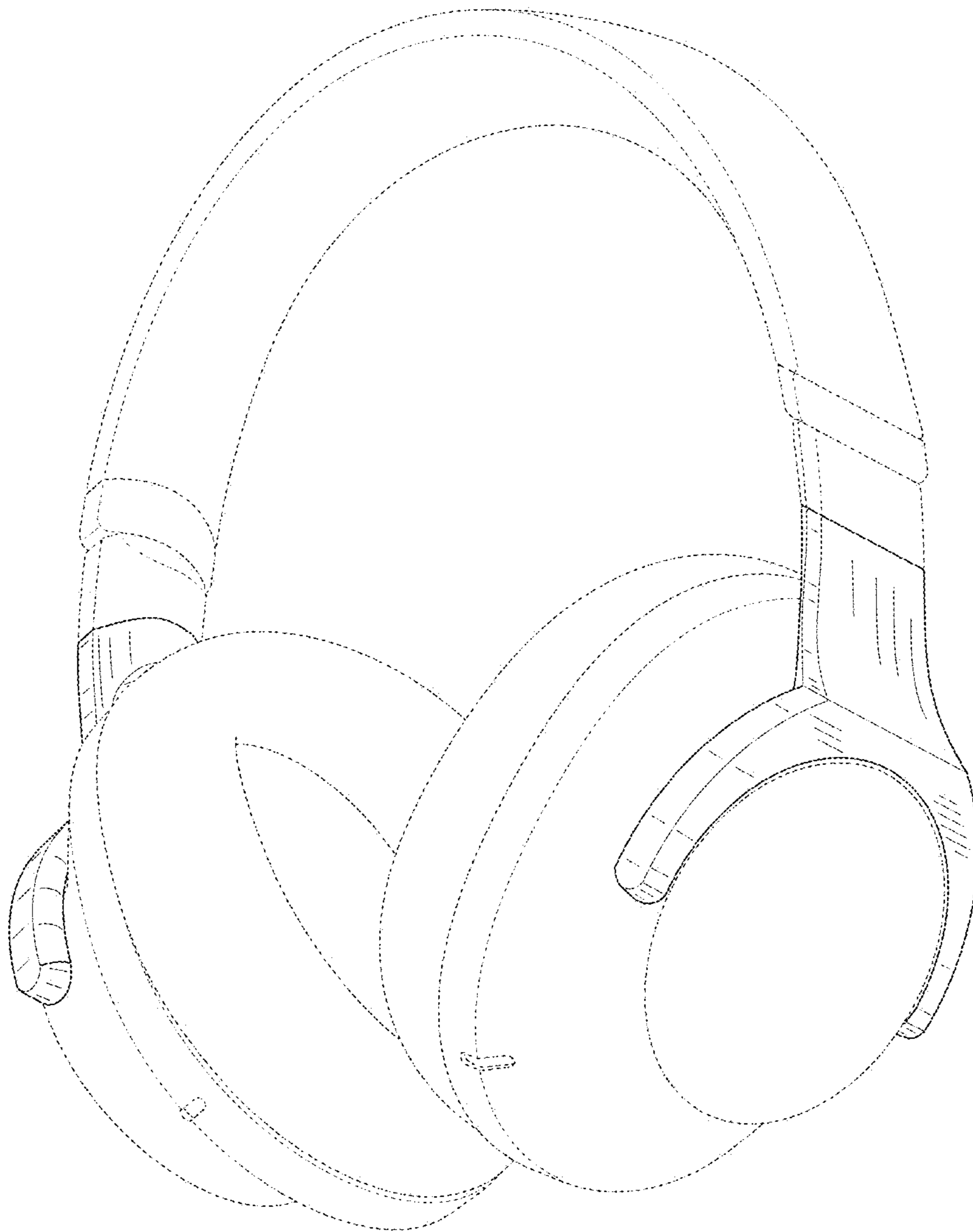


FIG. 16



Fig. 17



FIG. 18

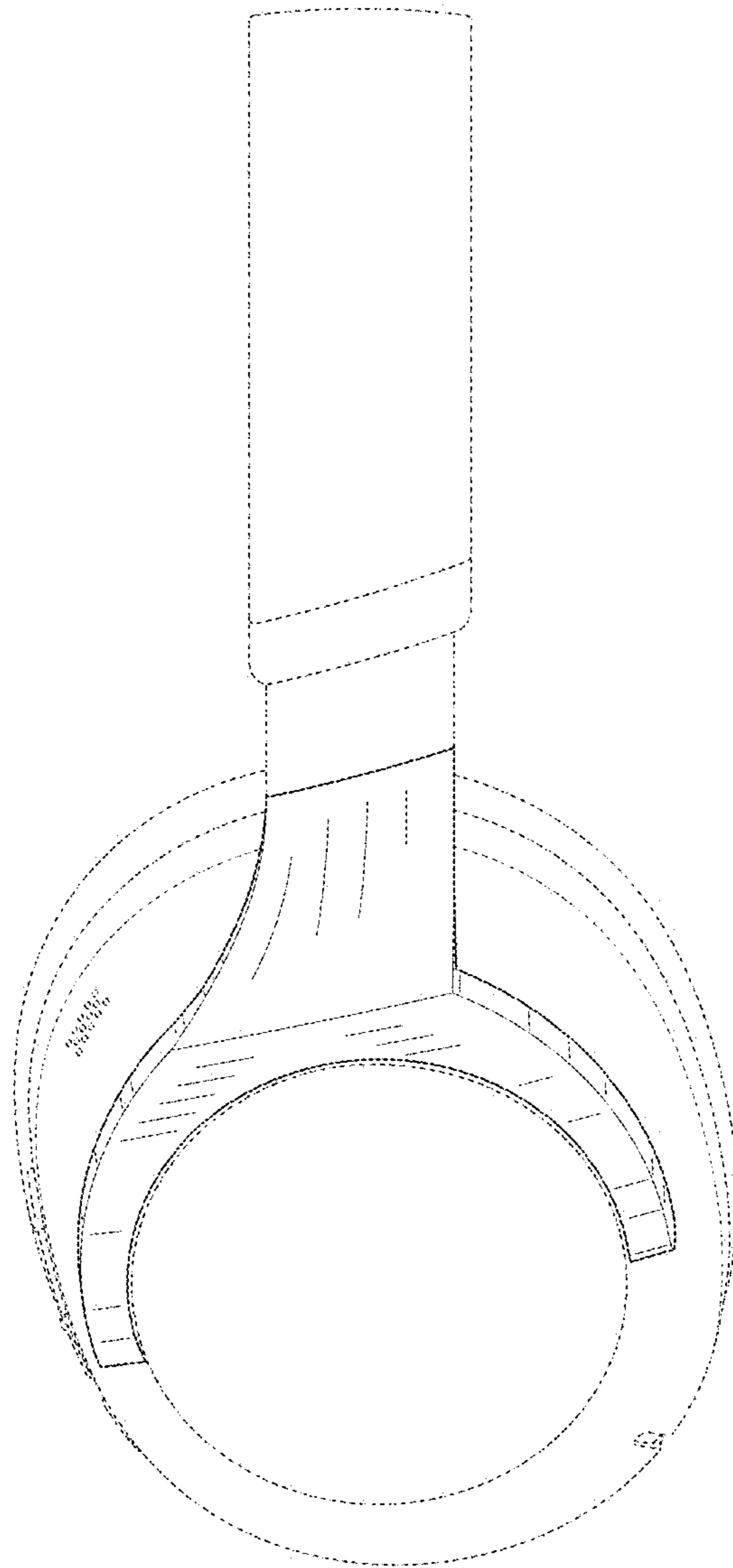


FIG. 19

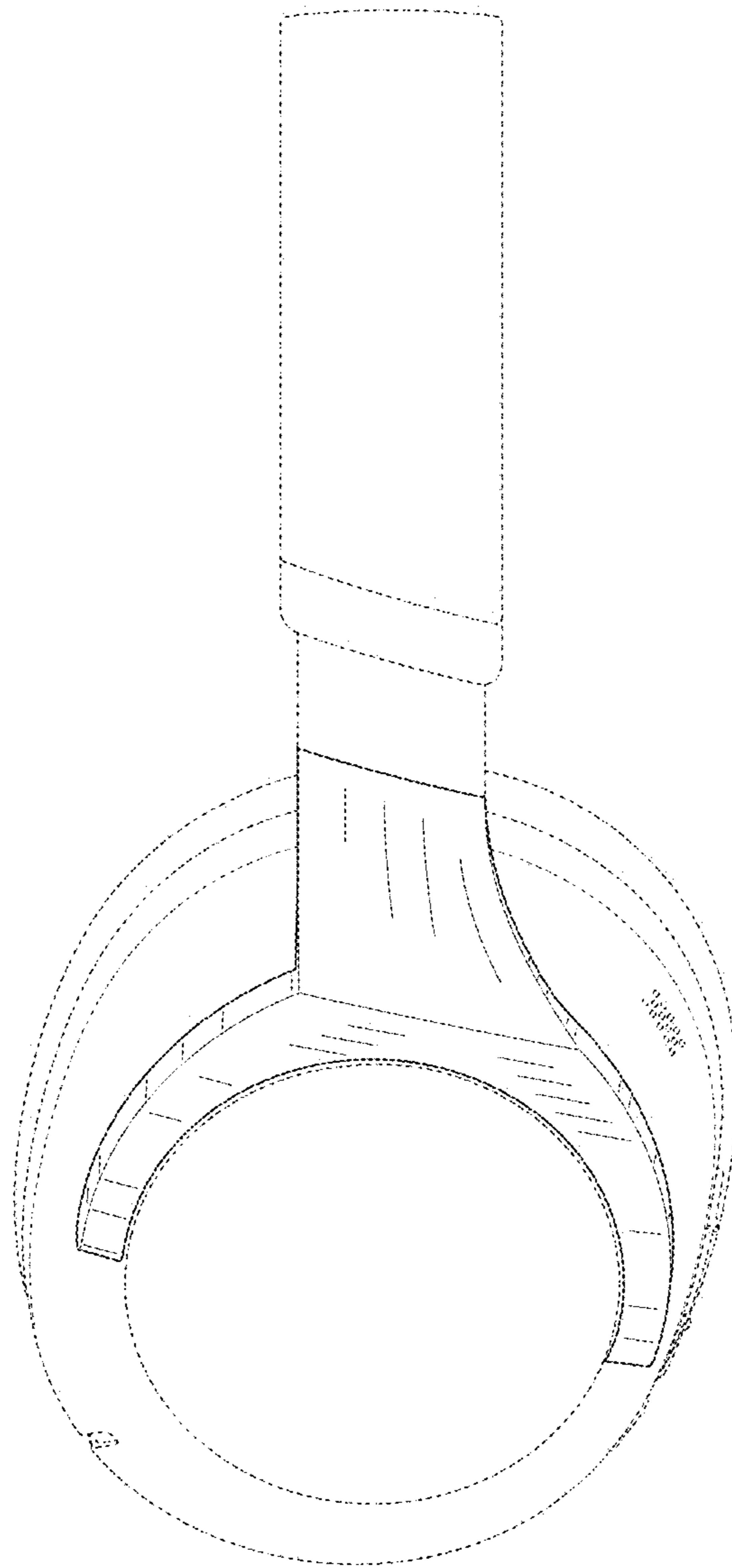


FIG. 20

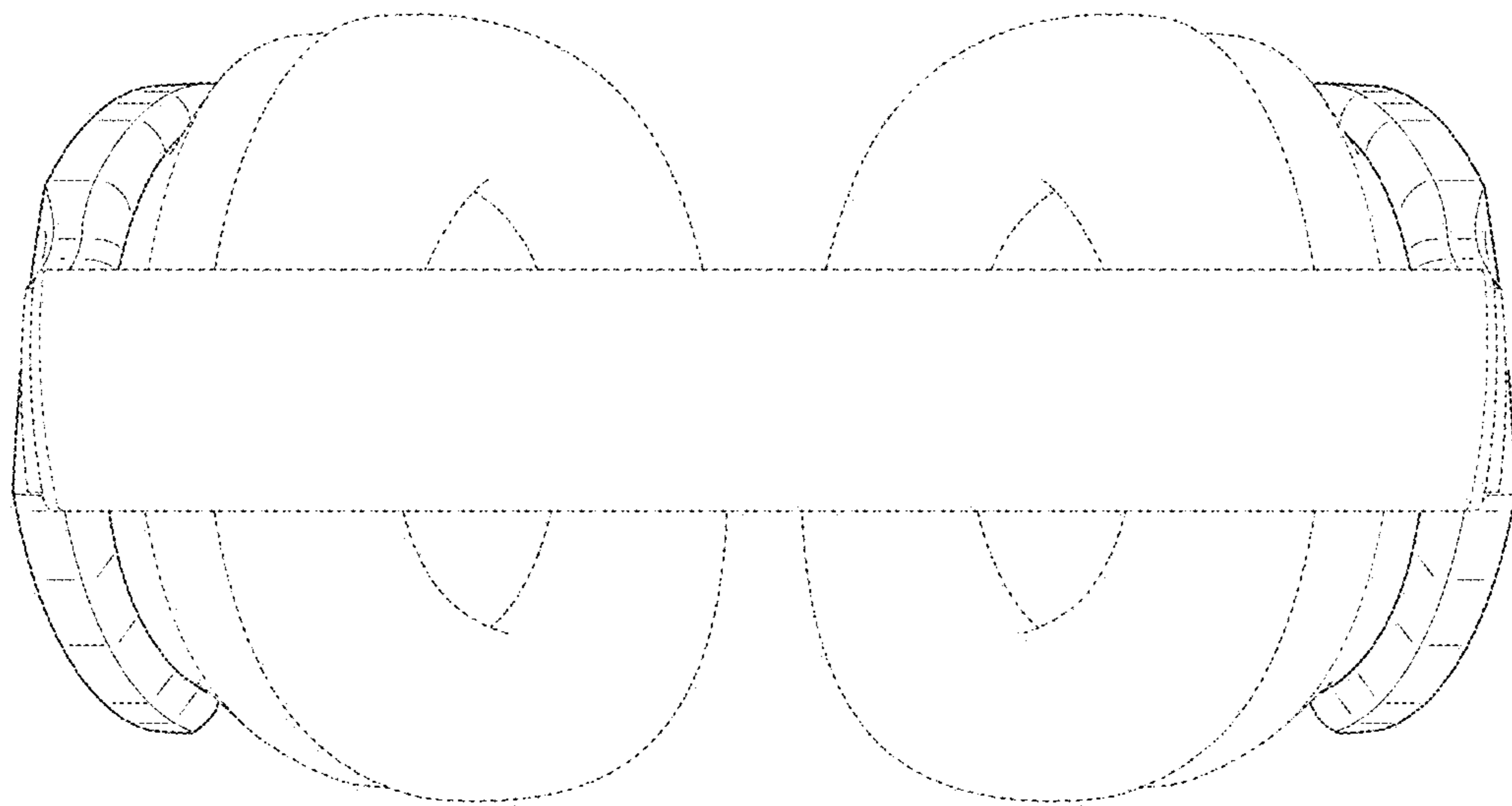
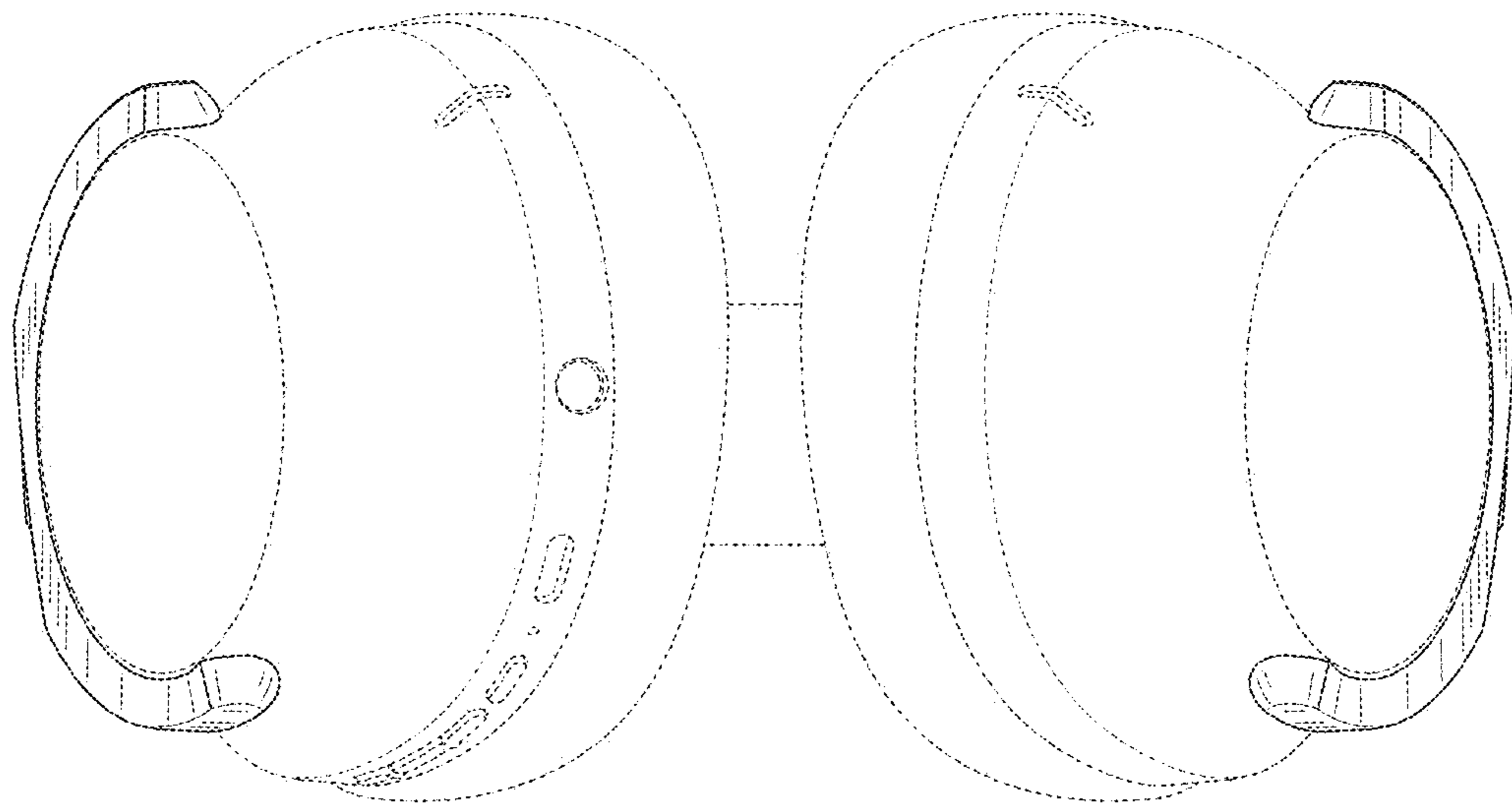


FIG. 21



UNITED STATES PATENT AND TRADEMARK OFFICE
CERTIFICATE OF CORRECTION

PATENT NO. : D968,358 S
APPLICATION NO. : 29/770085
DATED : November 1, 2022
INVENTOR(S) : Pinakesh De

Page 1 of 1

It is certified that error appears in the above-identified patent and that said Letters Patent is hereby corrected as shown below:

On the Title Page

(30) Foreign Application Priority Data

Please insert:

--Dec. 14, 2020 (JP) 2020-026809 D

Dec. 14, 2020 (JP) 2020-026811 D--

Signed and Sealed this
Tenth Day of January, 2023



Katherine Kelly Vidal
Director of the United States Patent and Trademark Office