



US00D968357S

(12) **United States Design Patent**  
**Cong**

(10) **Patent No.:** **US D968,357 S**

(45) **Date of Patent:** **\*\* Nov. 1, 2022**

(54) **NOISE-CANCELLING HEADPHONE**

(71) Applicant: **Andon Health Co., Ltd.**, Tianjin (CN)

(72) Inventor: **Ming Cong**, Tianjin (CN)

(73) Assignee: **Andon Health Co., Ltd.**, Tianjin (CN)

(\*\*) Term: **15 Years**

(21) Appl. No.: **29/761,413**

(22) Filed: **Dec. 9, 2020**

(30) **Foreign Application Priority Data**

Aug. 26, 2020 (CN) ..... 202030495508.X

(51) **LOC (13) Cl.** ..... **14-01**

(52) **U.S. Cl.**  
USPC ..... **D14/205**

(58) **Field of Classification Search**  
USPC ..... D14/205, 188, 192; D29/112; 2/209;  
381/380, 381, 374, 375  
CPC ..... H04R 25/00; H04R 25/02; H04R 1/1066;  
H04R 1/1016; H04R 5/033; H04R  
5/0335; H04R 1/1058; H04R 1/10; H04R  
1/1083; H04R 1/1091

See application file for complete search history.

(56) **References Cited**

**U.S. PATENT DOCUMENTS**

- 4,634,816 A \* 1/1987 O'Malley ..... H04M 1/05  
381/384
- D297,324 S \* 8/1988 Kohno ..... D14/205
- D375,312 S \* 11/1996 Kanno ..... D14/205
- D377,021 S \* 12/1996 Isono ..... D14/205
- 6,993,143 B2 \* 1/2006 Harris ..... H04R 1/1066  
381/374
- D591,263 S \* 4/2009 Shimizu ..... D14/205
- 7,580,539 B2 \* 8/2009 Tachikawa ..... H04R 1/1066  
381/374

- D691,109 S \* 10/2013 Hardi ..... D14/205
- D691,579 S \* 10/2013 Lee ..... D14/205
- D703,635 S \* 4/2014 Yang ..... H04R 1/1008  
D14/205
- D706,242 S \* 6/2014 Yang ..... H04R 1/1066  
D14/205
- D708,163 S \* 7/2014 Ishikura ..... D14/205
- D712,375 S \* 9/2014 Miyake ..... D14/205
- 8,923,525 B2 \* 12/2014 Saideh ..... H04R 1/1041  
381/384
- D727,286 S \* 4/2015 Galler ..... D14/205
- D727,289 S \* 4/2015 Czaniecki ..... D14/205
- D759,626 S \* 6/2016 Wagner ..... D14/205
- D763,223 S \* 8/2016 Czaniecki ..... D14/205
- D771,012 S \* 11/2016 Wagner ..... D14/205

(Continued)

**FOREIGN PATENT DOCUMENTS**

- CN 306460431 \* 4/2021
- EM 005249539-0001 \* 4/2018

(Continued)

*Primary Examiner* — Paula Allen Greene

(74) *Attorney, Agent, or Firm* — Andon IP Legal

(57) **CLAIM**

I claim the ornamental design for a noise-cancelling head-  
phone, as shown and described.

**DESCRIPTION**

FIG. 1 is a perspective view of a noise-cancelling headphone  
showing my new design.

FIG. 2 is a front view thereof.

FIG. 3 is a rear view thereof.

FIG. 4 is a left side view thereof.

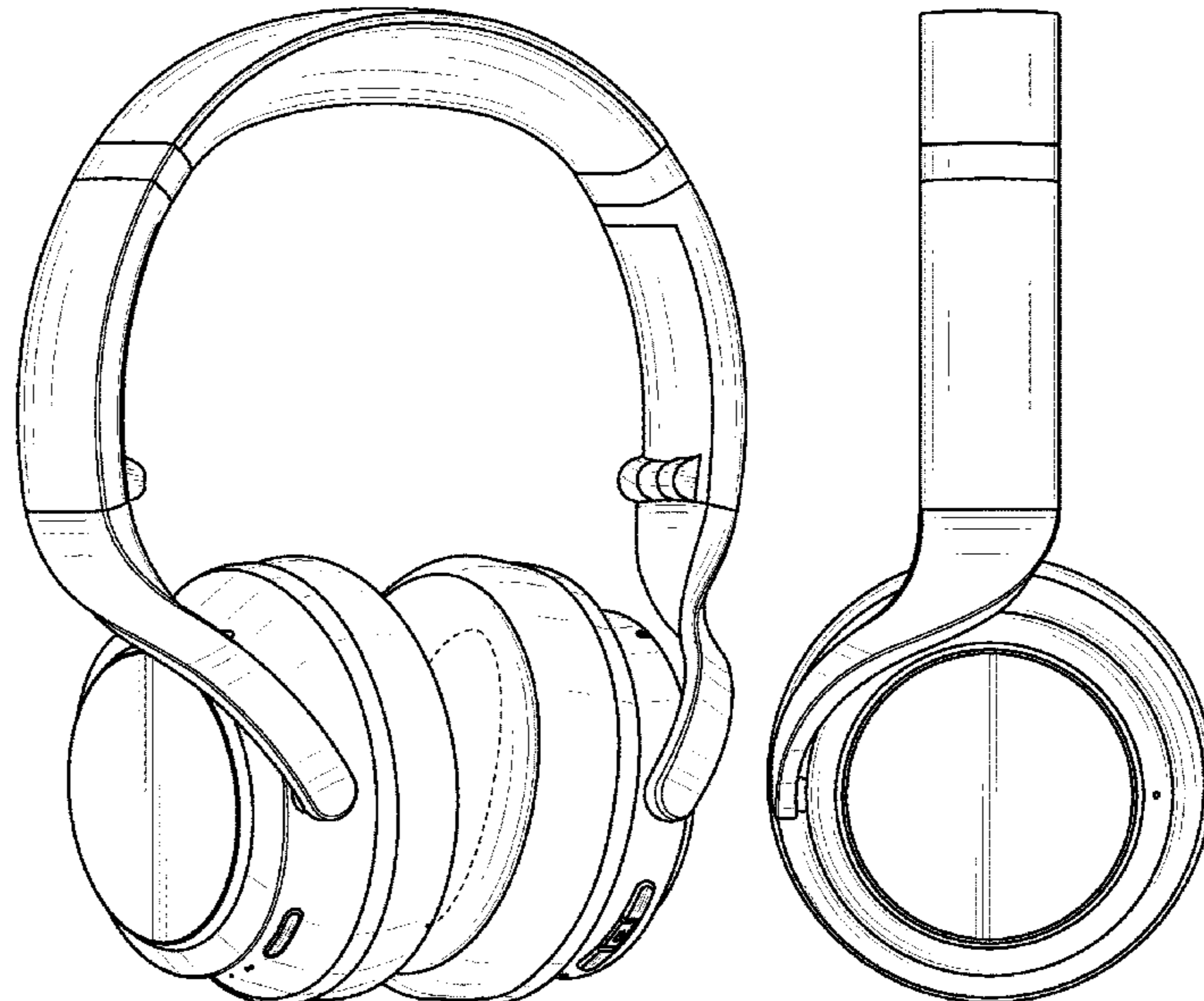
FIG. 5 is a right side view thereof.

FIG. 6 is a top view thereof; and,

FIG. 7 is a bottom view thereof.

The broken lines depict portions of the headphone that forms  
no part of the claimed design.

**1 Claim, 6 Drawing Sheets**



(56)

**References Cited**

U.S. PATENT DOCUMENTS

D773,434 S \* 12/2016 Wu ..... D14/205  
 D777,701 S \* 1/2017 Czaniecki ..... D14/205  
 D806,674 S \* 1/2018 Zhang ..... D14/205  
 D826,209 S \* 8/2018 Homewood ..... D14/205  
 D829,686 S \* 10/2018 Davi ..... D14/205  
 D837,764 S \* 1/2019 Xiao ..... D14/205  
 D852,164 S \* 6/2019 Mei ..... D14/205  
 D857,652 S \* 8/2019 Wang ..... D14/205  
 D859,353 S \* 9/2019 Wagner ..... D14/205  
 D859,354 S \* 9/2019 Xia ..... D14/205  
 D897,309 S \* 9/2020 Cho ..... D14/205  
 D936,035 S \* 11/2021 Tang ..... D14/205  
 D949,822 S \* 4/2022 Yoshimura ..... D14/205  
 2010/0310093 A1\* 12/2010 Semcken ..... H04R 1/1058  
 381/104  
 2014/0219466 A1\* 8/2014 Saideh ..... H04R 1/1041  
 381/74  
 2016/0080853 A1\* 3/2016 Chen ..... H04R 1/1083  
 381/74  
 2018/0084326 A1\* 3/2018 Rothschild ..... H04R 5/0335

FOREIGN PATENT DOCUMENTS

JP D1702614 \* 11/2021  
 KR 301126680.0000 \* 9/2021  
 KR 301139927.0000 \* 11/2021  
 TW 201225-0001 \* 12/2019

\* cited by examiner

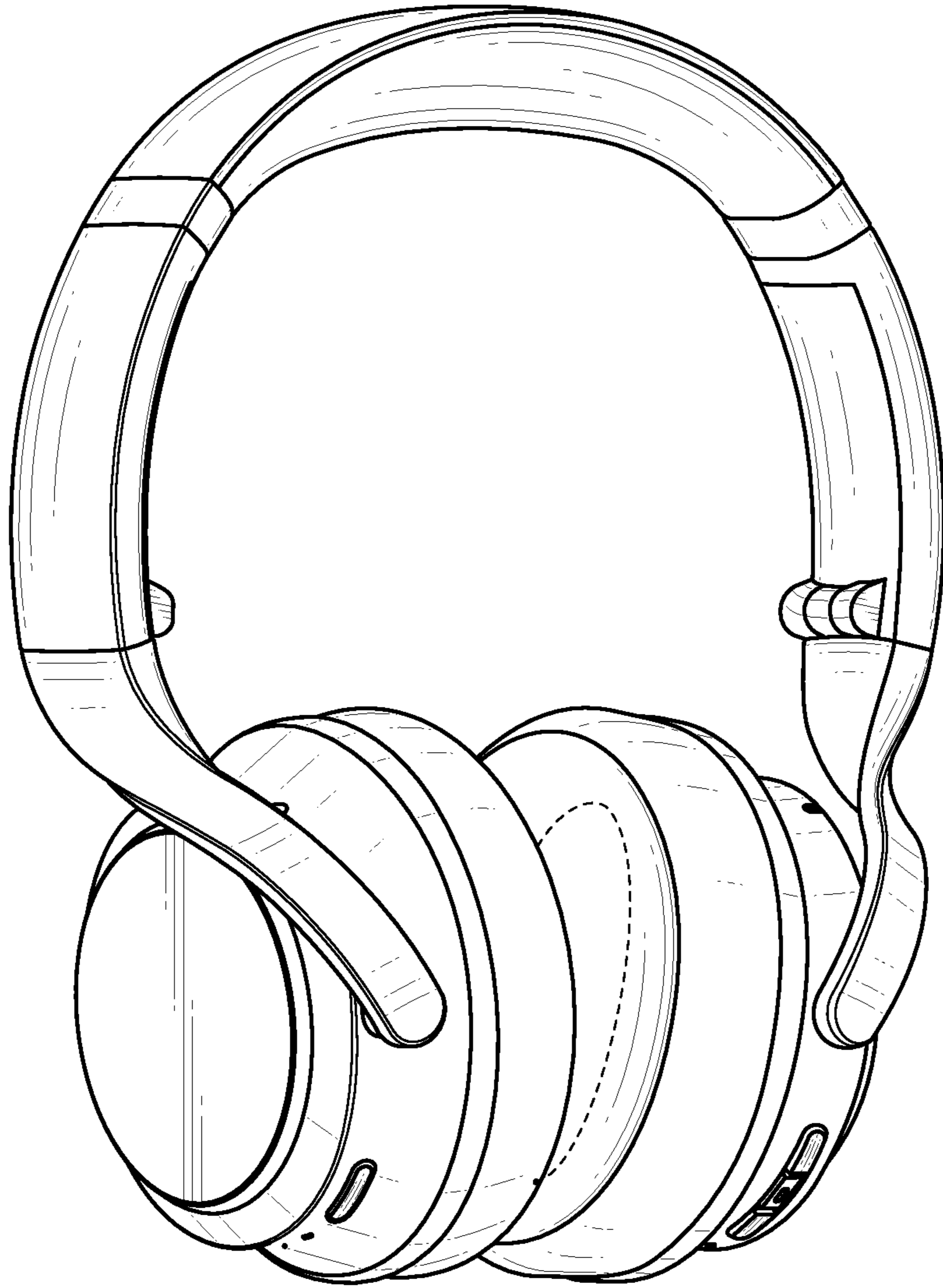


FIG. 1

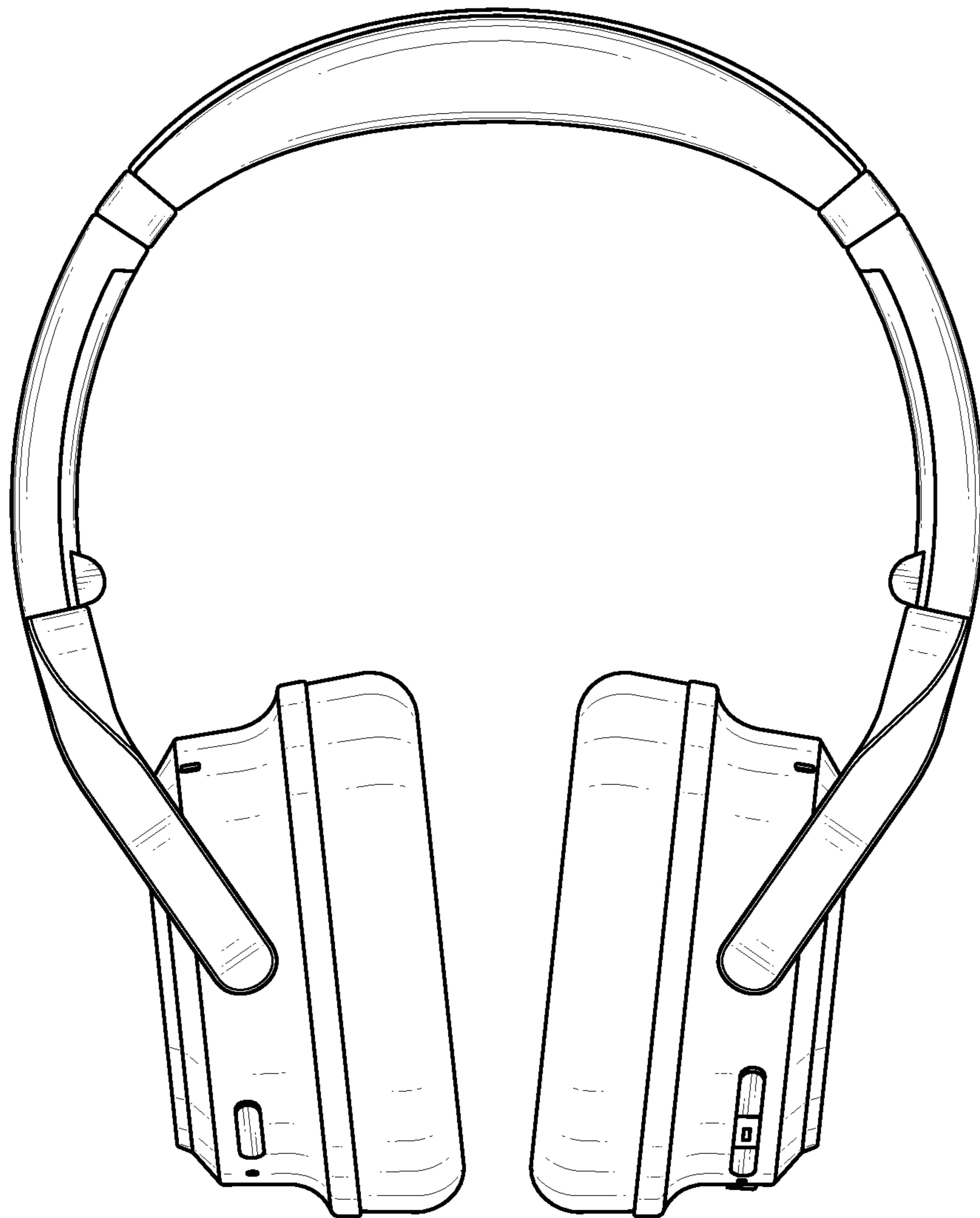


FIG. 2



FIG. 3

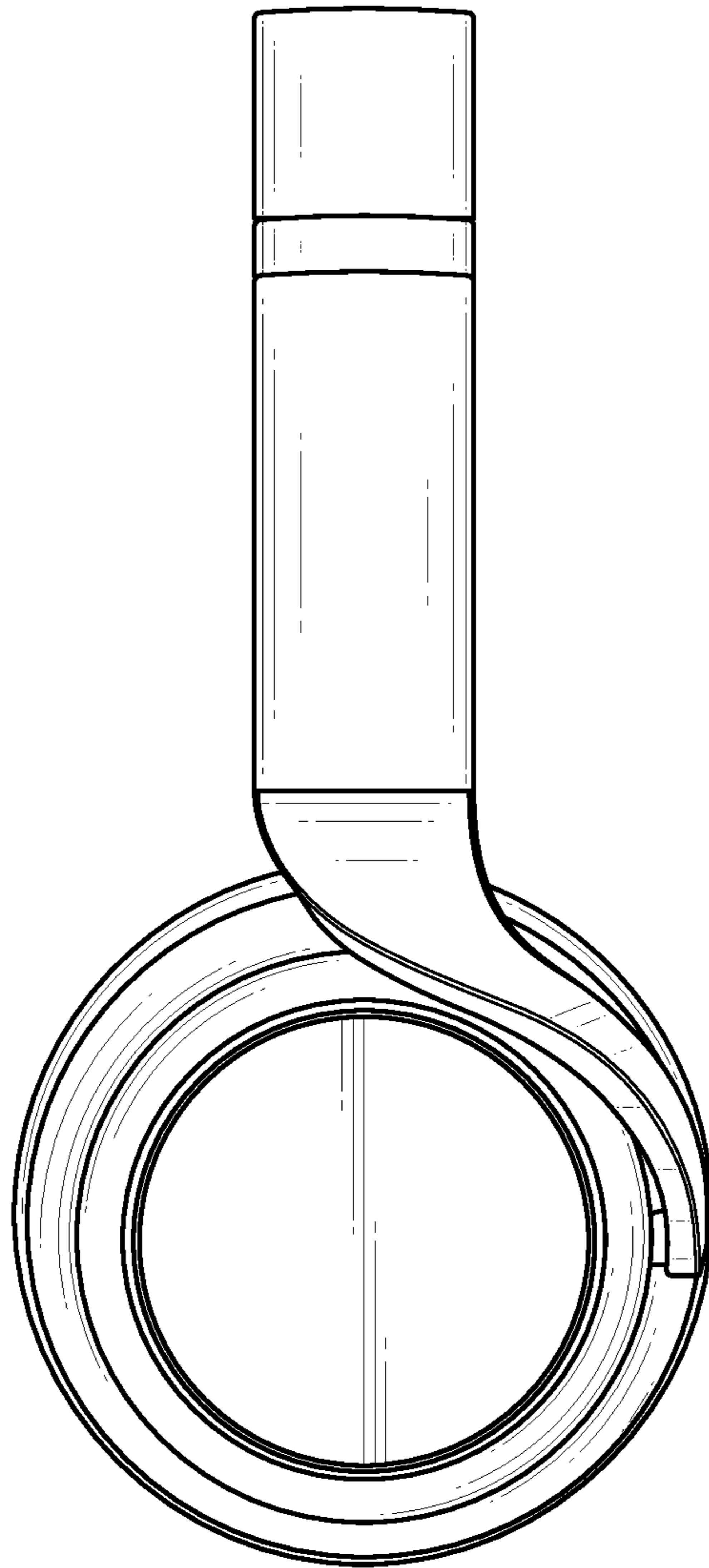


FIG. 4

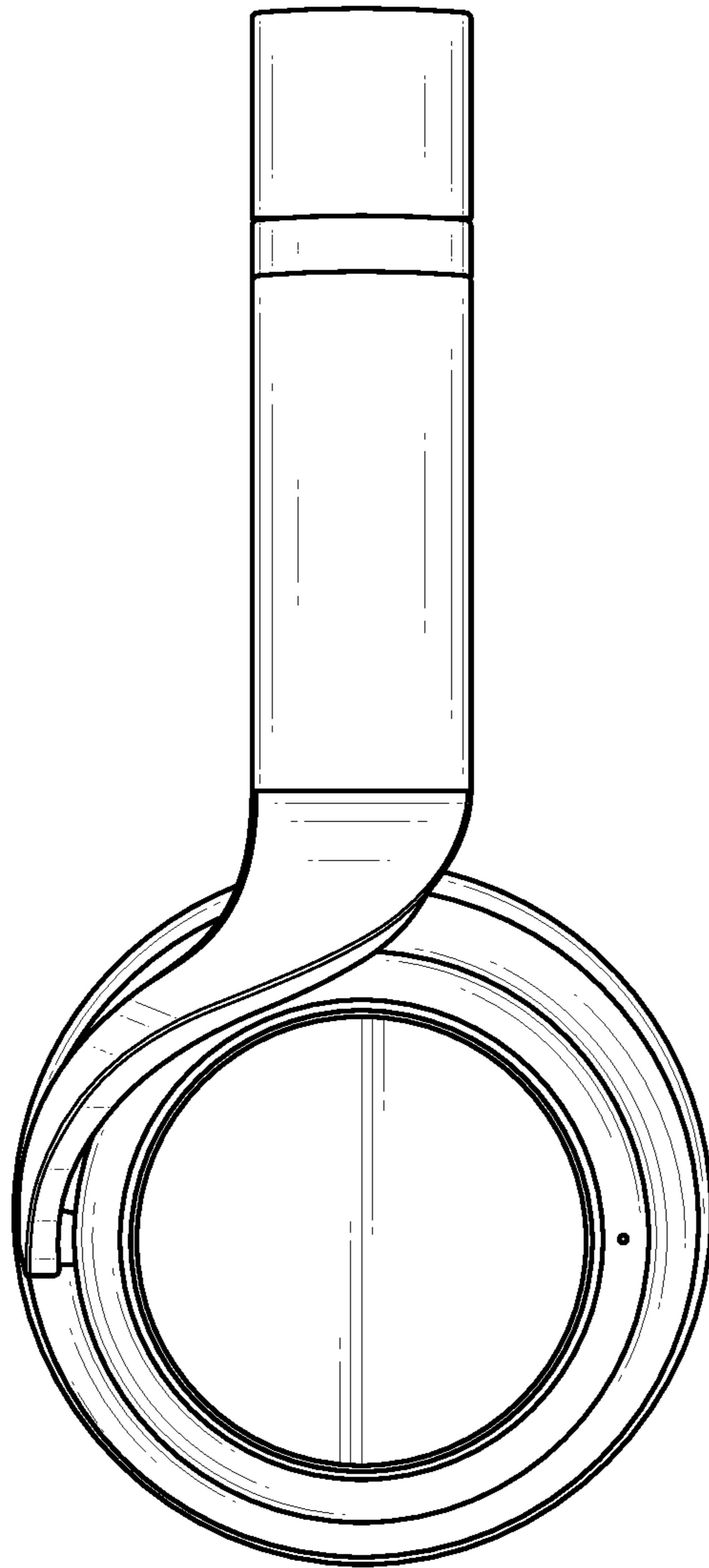


FIG. 5

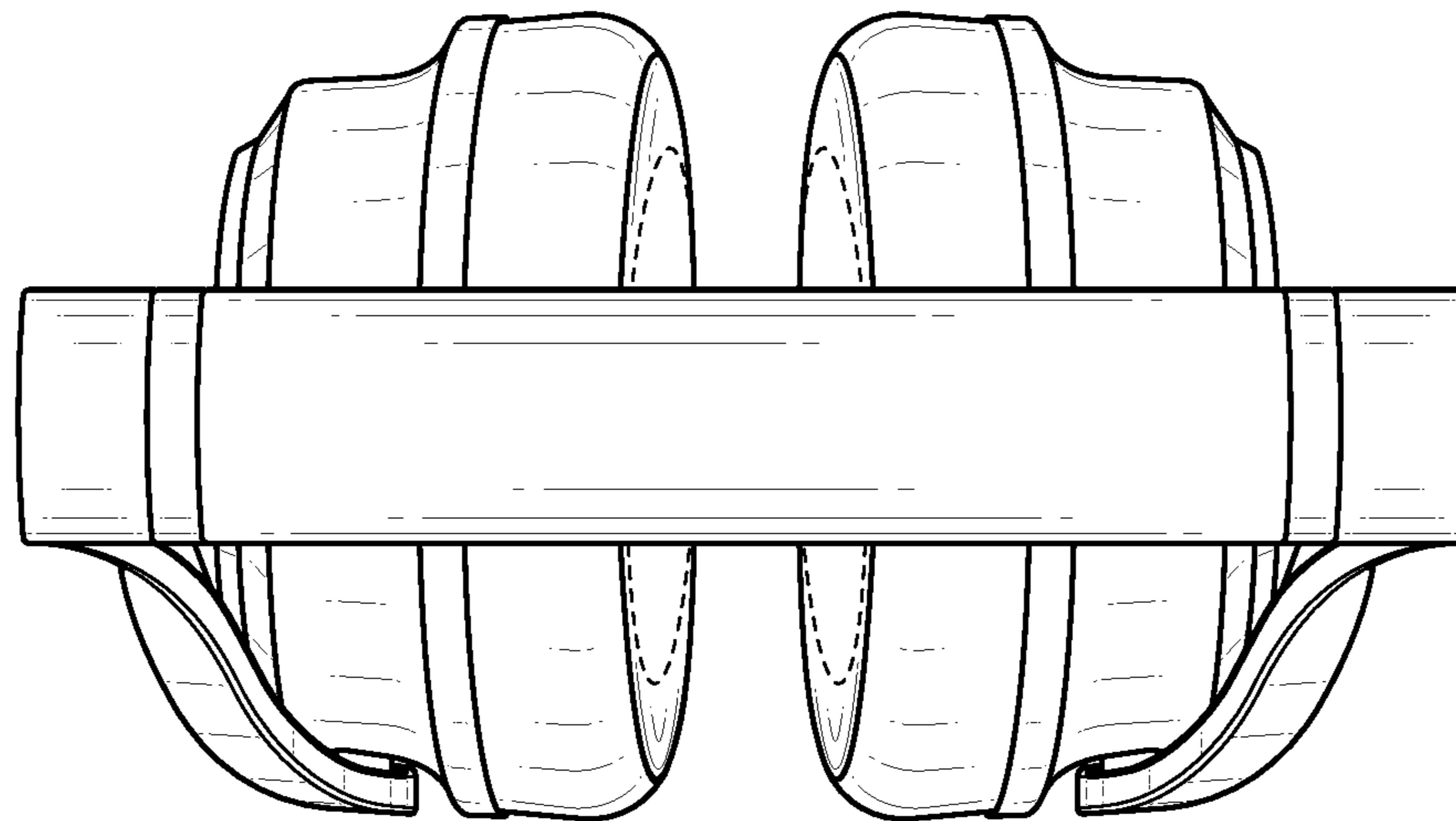


FIG. 6

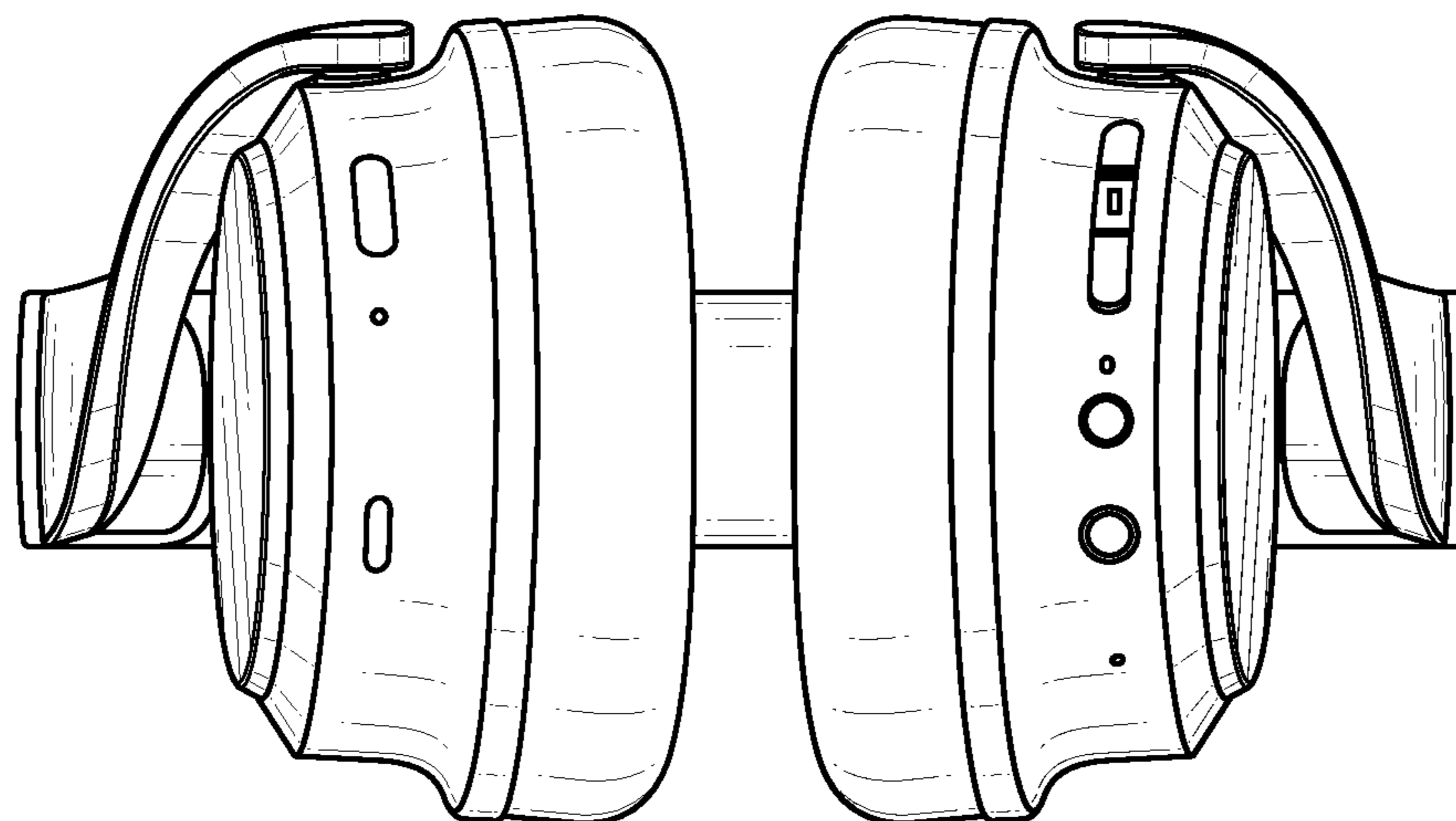


FIG. 7