



US00D968356S

(12) **United States Design Patent**
Zheng et al.

(10) **Patent No.:** **US D968,356 S**
(45) **Date of Patent:** **** Nov. 1, 2022**

(54) **HEADPHONE**
(71) Applicant: **Anker Innovations Technology Co. Ltd.**, Changsha (CN)
(72) Inventors: **Wei Zheng**, Shenzhen (CN); **Li Hangyu**, Shenzhen (CN)
(73) Assignee: **Anker Innovations Technology Co., Ltd.**, Changsha (CN)
(**) Term: **15 Years**

4,409,442 A * 10/1983 Kamimura H04R 5/0335
381/370
4,455,457 A * 6/1984 Akira H04R 1/1066
2/209
4,499,593 A * 2/1985 Antle H04R 1/1066
381/378
4,747,145 A * 5/1988 Wiegel H04R 1/1066
381/378
D302,429 S * 7/1989 Leer D14/206
4,875,233 A * 10/1989 Derhaag H04M 1/05
379/430
4,987,592 A * 1/1991 Flagg H04R 1/08
379/430
4,999,846 A * 3/1991 Ball A42B 1/22
2/418

(21) Appl. No.: **29/754,648**

(Continued)

(22) Filed: **Oct. 13, 2020**

FOREIGN PATENT DOCUMENTS

(30) **Foreign Application Priority Data**

JP D1639032 * 7/2019

Aug. 21, 2020 (CN) 202030483459.8

Primary Examiner — Paula Allen Greene

(51) **LOC (13) Cl.** **14-01**

(74) *Attorney, Agent, or Firm* — Banner & Witcoff, Ltd.

(52) **U.S. Cl.**
USPC **D14/205**

(57) **CLAIM**

(58) **Field of Classification Search**
USPC D14/205, 188, 192, 206; D29/112;
2/209; 381/380–381, 387

The ornamental design for a headphone, as shown and described.

CPC H04R 1/1066; H04R 1/1016; H04R 25/00;
H04R 25/02; H04R 5/033; H04R 5/0335;
H04R 1/105; H04R 1/1008; H04R 1/1091
See application file for complete search history.

DESCRIPTION

(56) **References Cited**

FIG. 1 is a front top perspective view of a headphone showing our new design in a first position;
FIG. 2 is a front bottom perspective view thereof;
FIG. 3 is a front view thereof;
FIG. 4 is a rear view thereof;
FIG. 5 is a left side view thereof;
FIG. 6 is a right side view thereof;
FIG. 7 is a top view thereof;
FIG. 8 is a bottom view thereof; and,
FIG. 9 is a front top perspective view of the headphone in FIGS. 1-8 shown in a second position.
The broken lines depict portions of the headphone that form no part of the claimed design.

U.S. PATENT DOCUMENTS

3,787,899 A * 1/1974 Krawagna H04R 1/1066
2/209
3,992,720 A * 11/1976 Nicolinas A42B 3/145
2/418
D246,519 S * 11/1977 Kato D14/205
4,133,053 A * 1/1979 Lundin H04R 1/1058
2/209
D254,183 S * 2/1980 Doodson D14/205

1 Claim, 9 Drawing Sheets



(56)

References Cited

U.S. PATENT DOCUMENTS

5,117,464 A * 5/1992 Jones H04R 1/1058
181/129
5,138,722 A * 8/1992 Urella H04R 1/1008
D14/206
D351,172 S * 10/1994 Nakamura D14/205
D376,598 S * 12/1996 Hayashi D14/206
5,590,213 A * 12/1996 Urella H04R 5/0335
381/385
5,793,878 A * 8/1998 Chang H04R 5/0335
D14/206
6,678,997 B1 * 1/2004 Howe A01G 9/028
47/65.5
D576,604 S * 9/2008 Suzuki D14/205
D616,418 S * 5/2010 Morisawa D14/205
D633,471 S * 3/2011 Sugiyama D14/205
D692,853 S * 11/2013 Nokuo D14/205
D695,263 S * 12/2013 Mogili D14/205

D707,200 S * 6/2014 Yang H04R 1/1066
D14/205
D708,164 S * 7/2014 Ishikura D14/205
D725,630 S * 3/2015 Nakagawa D14/205
D732,001 S * 6/2015 Licht D14/205
D794,601 S * 8/2017 Riggs D14/205
D857,654 S * 8/2019 Levine D14/205
D870,066 S * 12/2019 Lundbäck D14/205
D950,518 S * 5/2022 Treski D14/205
2001/0017925 A1 * 8/2001 Ceravolo H04M 1/05
381/370
2006/0027245 A1 * 2/2006 Spector A45D 8/36
132/273
2016/0277828 A1 * 9/2016 Oh H04R 1/105
2017/0019728 A1 * 1/2017 Cochran H04R 1/1091
2017/0264992 A1 * 9/2017 Wallace H04R 1/1041
2018/0302708 A1 * 10/2018 Monaghan H04R 5/0335
2019/0037300 A1 * 1/2019 Wang H04R 1/1066
2020/0029145 A1 * 1/2020 Kamimura H04R 1/1066
2020/0280801 A1 * 9/2020 Andersen H04R 1/1075
2021/0084401 A1 * 3/2021 Smiechowski H04R 1/1041

* cited by examiner



FIG. 1

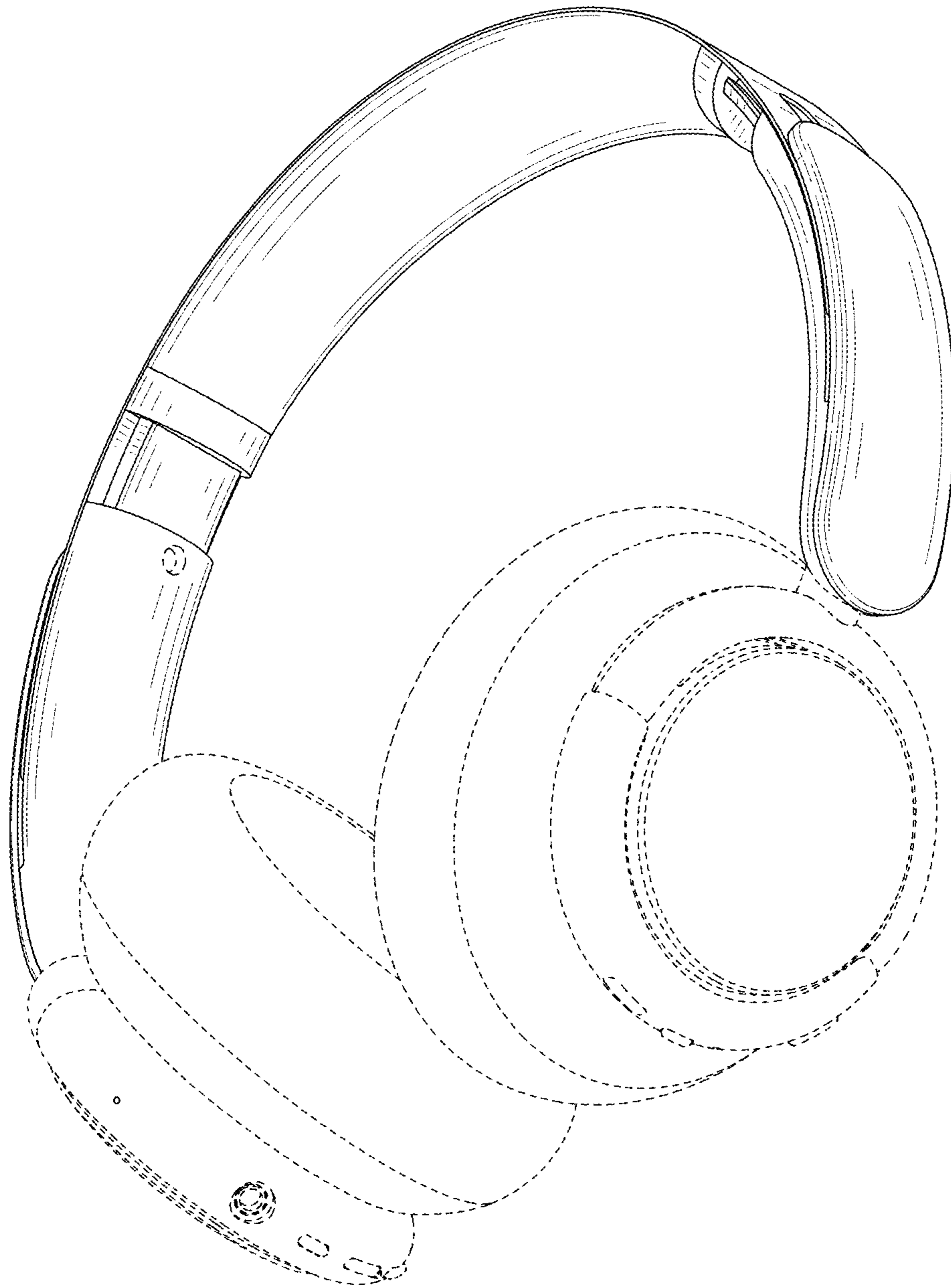


FIG. 2



FIG. 3



FIG. 4

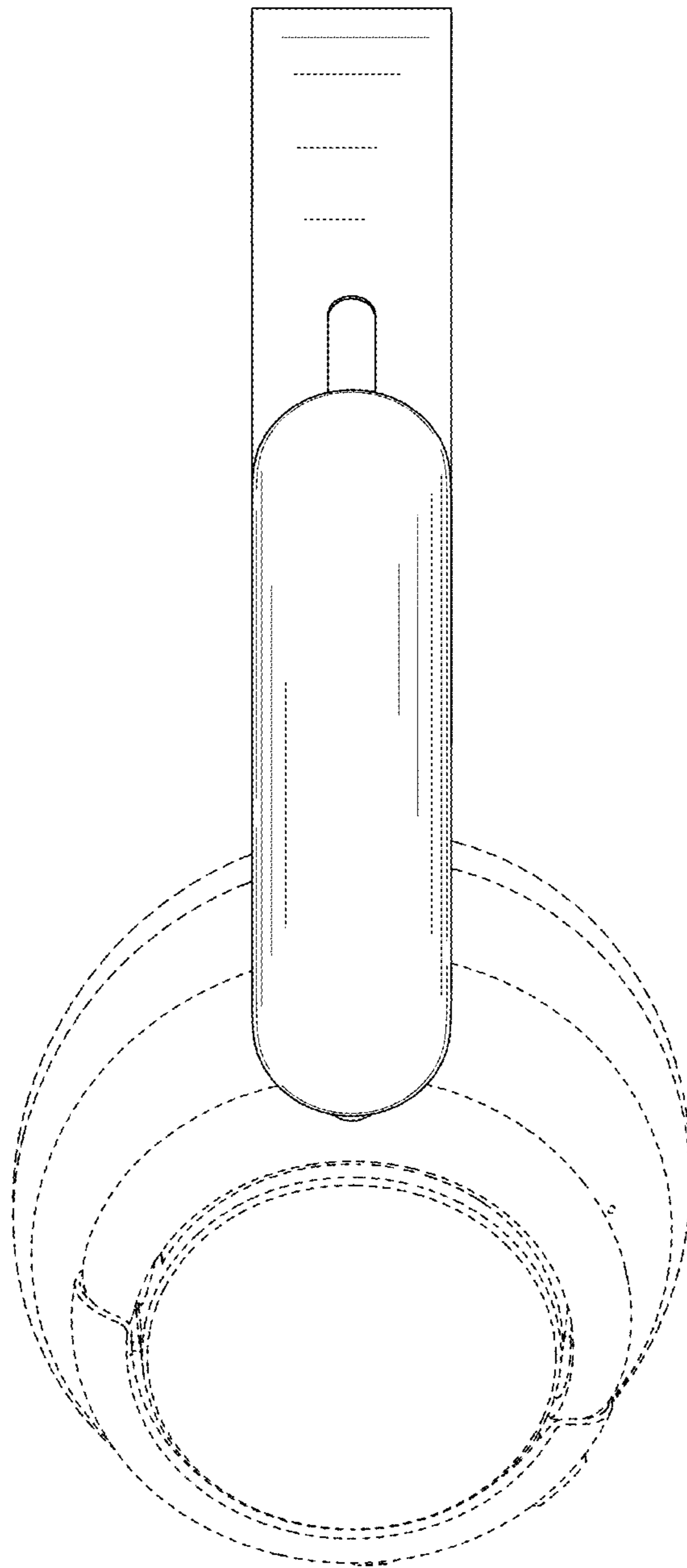


FIG. 5

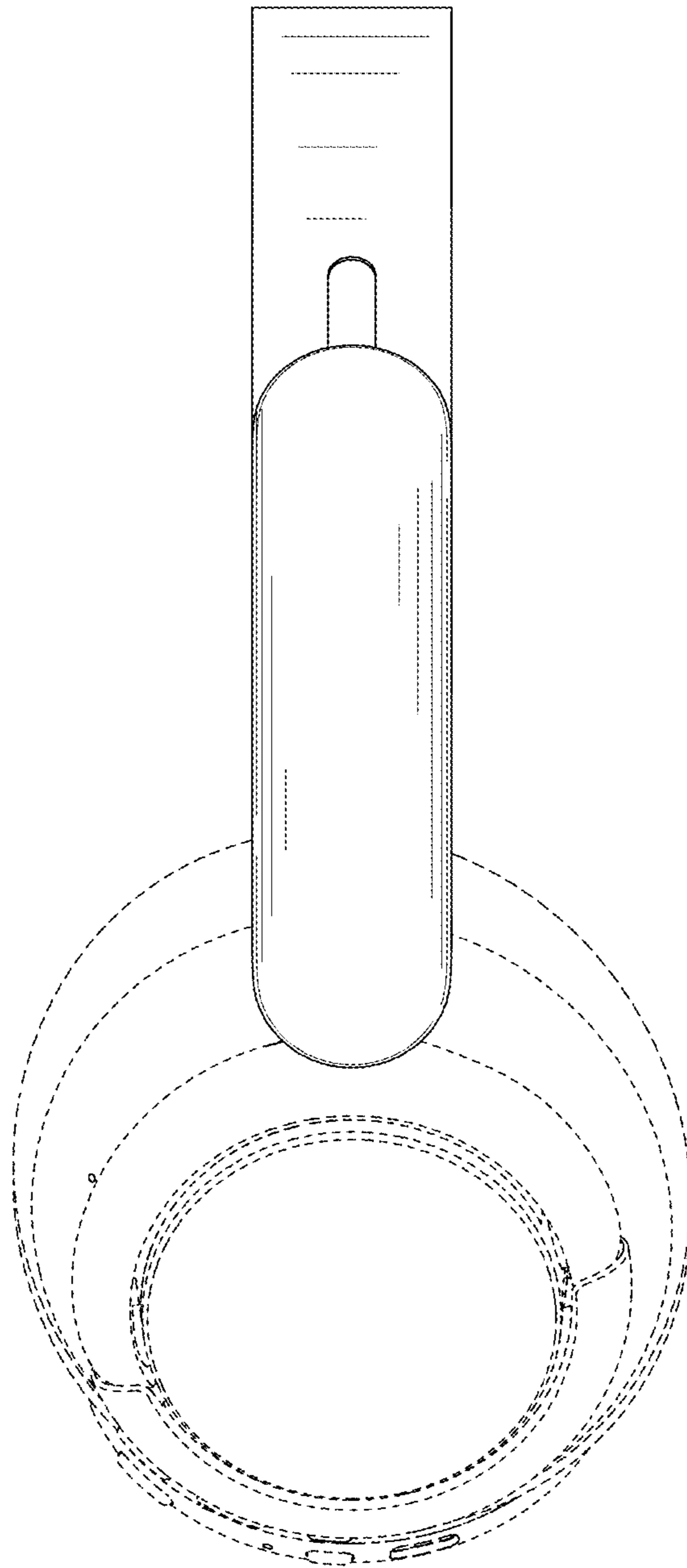


FIG. 6

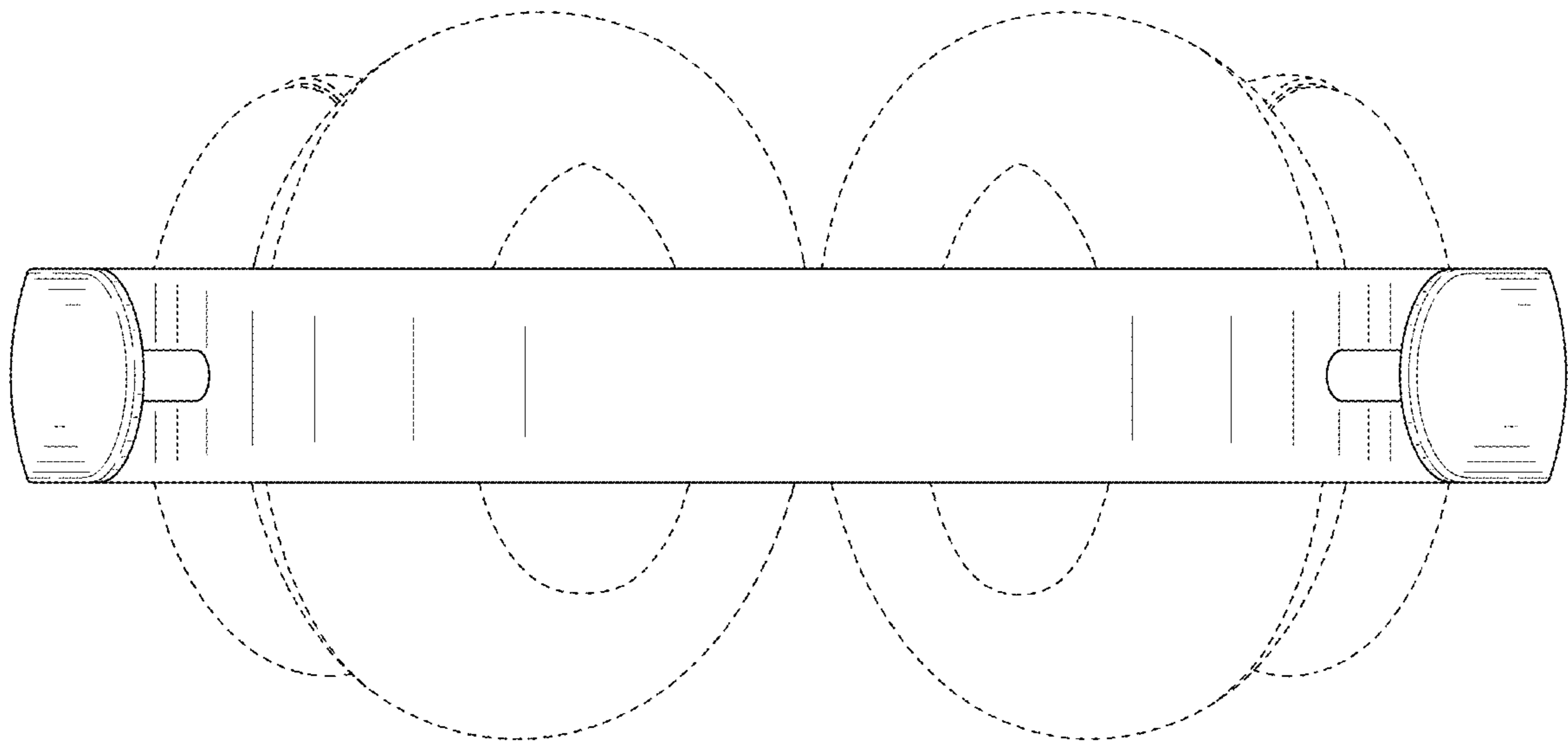


FIG. 7

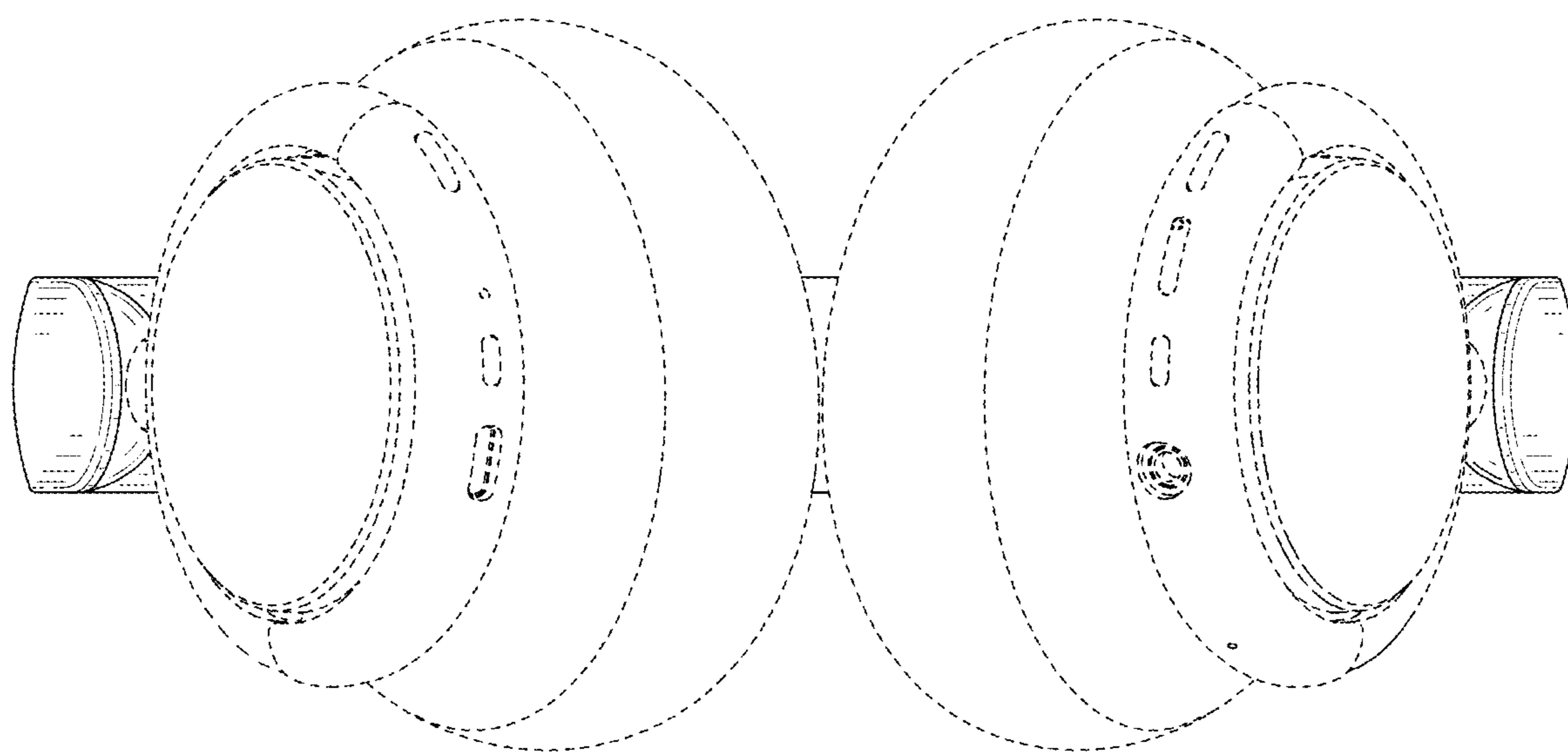


FIG. 8

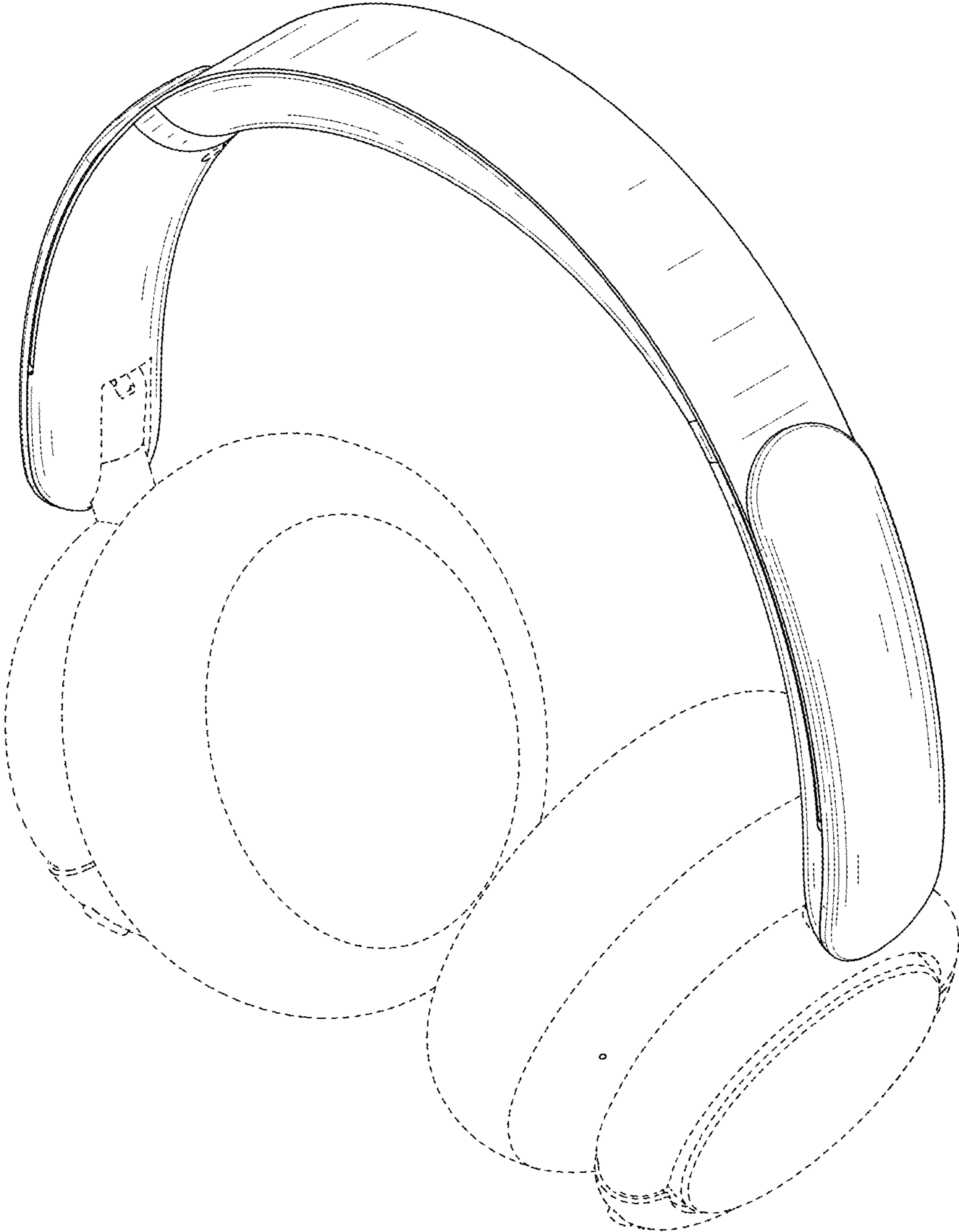


FIG. 9