



US00D968355S

(12) **United States Design Patent**  
**Wu et al.**

(10) **Patent No.:** **US D968,355 S**  
(45) **Date of Patent:** **\*\* \*Nov. 1, 2022**

(54) **HEADSET**

(71) Applicant: **SHENZHEN GRANDSUN ELECTRONIC CO., LTD.**,  
Guangdong (CN)

(72) Inventors: **Haiquan Wu**, Guangdong (CN);  
**Yanwu Pang**, Guangdong (CN); **Weili Chen**, Guangdong (CN)

(73) Assignee: **SHENZHEN GRANDSUN ELECTRONIC CO., LTD.**,  
Guangdong (CN)

(\*) Notice: This patent is subject to a terminal disclaimer.

(\*\*) Term: **15 Years**

(21) Appl. No.: **29/740,338**

(22) Filed: **Jul. 2, 2020**

(30) **Foreign Application Priority Data**

Jan. 7, 2020 (CN) ..... 202030009369.5

(51) **LOC (13) Cl.** ..... **14-01**

(52) **U.S. Cl.**  
USPC ..... **D14/205**

(58) **Field of Classification Search**  
USPC ..... D14/205, 188, 192, 206; D29/112;  
2/209; 381/380-381, 378-379; 455/90.3,  
455/575.1, 569.1  
CPC ..... H04R 25/00; H04R 25/02; H04R 1/10;  
H04R 1/1066; H04R 1/1016; H04R  
5/033; H04R 5/0335; H04R 1/1091  
See application file for complete search history.

(56) **References Cited**

**U.S. PATENT DOCUMENTS**

D729,196 S \* 5/2015 Liu ..... D14/205  
D750,041 S \* 2/2016 Birger ..... D14/205

D768,110 S \* 10/2016 Suzuki ..... D14/205  
D775,104 S \* 12/2016 Lee ..... D14/205  
D795,835 S \* 8/2017 Nagamine ..... D14/205  
D800,691 S \* 10/2017 Ando ..... D14/205  
D809,478 S \* 2/2018 Arimoto ..... D14/205  
D811,364 S \* 2/2018 Park ..... D14/205  
D817,303 S \* 5/2018 Tragatschnig ..... D14/205  
D826,895 S \* 8/2018 Sharp ..... D14/205  
D828,326 S \* 9/2018 Ye ..... D14/205  
D830,334 S \* 10/2018 Carr ..... D14/205  
D836,084 S \* 12/2018 Xie ..... D14/205  
D837,763 S \* 1/2019 Suzuki ..... D14/205  
D843,345 S \* 3/2019 Brunner ..... D14/205

(Continued)

**FOREIGN PATENT DOCUMENTS**

CN 305027935 \* 2/2019  
CN 305391231 \* 10/2019

(Continued)

*Primary Examiner* — Paula Allen Greene

(74) *Attorney, Agent, or Firm* — Cantor Colburn LLP

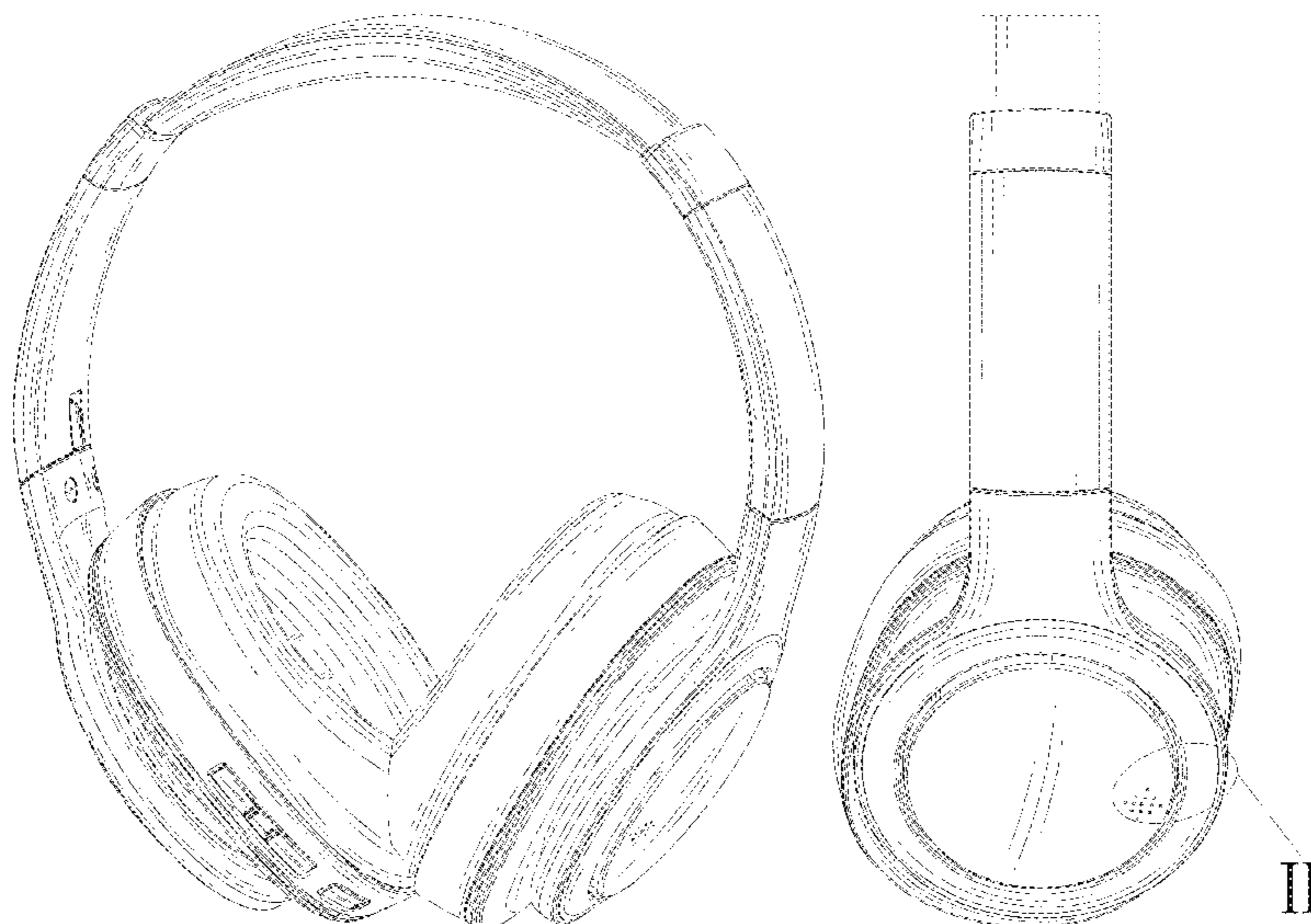
(57) **CLAIM**

The ornamental design for a headset, as shown and described.

**DESCRIPTION**

FIG. 1 is a perspective view of a headset;  
FIG. 2 is a front view thereof;  
FIG. 3 is a rear view thereof;  
FIG. 4 is a left side view thereof;  
FIG. 5 is a right side view thereof;  
FIG. 6 is a top view thereof;  
FIG. 7 is a bottom view thereof;  
FIG. 8 is a partial enlarged view of I in FIG. 2;  
FIG. 9 is a partial enlarged view of II in FIG. 4; and,  
FIG. 10 is a partial enlarged view of III in FIG. 7.  
The broken lines in the figures depict portions of the headset that form no part of the claimed design.

**1 Claim, 10 Drawing Sheets**



(56)

References Cited

U.S. PATENT DOCUMENTS

D850,406 S \* 6/2019 Hembrey ..... D14/205  
 D852,163 S \* 6/2019 Nagamine ..... D14/205  
 D852,776 S \* 7/2019 Zhu ..... D14/205  
 D860,163 S \* 9/2019 Xia ..... D14/205  
 D864,900 S \* 10/2019 Miller ..... D14/205  
 D865,706 S \* 11/2019 Li ..... D14/205  
 D868,728 S \* 12/2019 Zaihui ..... D14/205  
 D869,437 S \* 12/2019 Hu ..... D14/205  
 D875,068 S \* 2/2020 Nagamine ..... D14/205  
 D877,716 S \* 3/2020 Hu ..... D14/205  
 D879,065 S \* 3/2020 Chan ..... D14/205  
 D879,742 S \* 3/2020 Hu ..... D14/205  
 D881,157 S \* 4/2020 Chen ..... D14/205  
 D881,842 S \* 4/2020 Hu ..... D14/205  
 D883,949 S \* 5/2020 Hu ..... D14/205  
 D888,008 S \* 6/2020 Yook ..... D14/205  
 D892,079 S \* 8/2020 Wu ..... D14/205

D893,449 S \* 8/2020 Tsubone ..... D14/205  
 D900,057 S \* 10/2020 Shan ..... D14/205  
 D936,035 S \* 11/2021 Tang ..... D14/205  
 D937,804 S \* 12/2021 Deng ..... D14/205  
 2010/0310093 A1\* 12/2010 Semcken ..... H04R 1/1058  
 381/104  
 2013/0343591 A1\* 12/2013 Brunner ..... H04R 1/1066  
 381/371  
 2014/0254854 A1\* 9/2014 Blonder ..... H04R 1/1066  
 381/371

FOREIGN PATENT DOCUMENTS

CN 305912553 \* 7/2020  
 CN 306502909 \* 4/2021  
 EM 006643714-0001 \* 7/2019  
 EM 008526248-0001 \* 4/2021  
 GB 9008151245-0001 \* 8/2020

\* cited by examiner



FIG. 1



FIG. 2

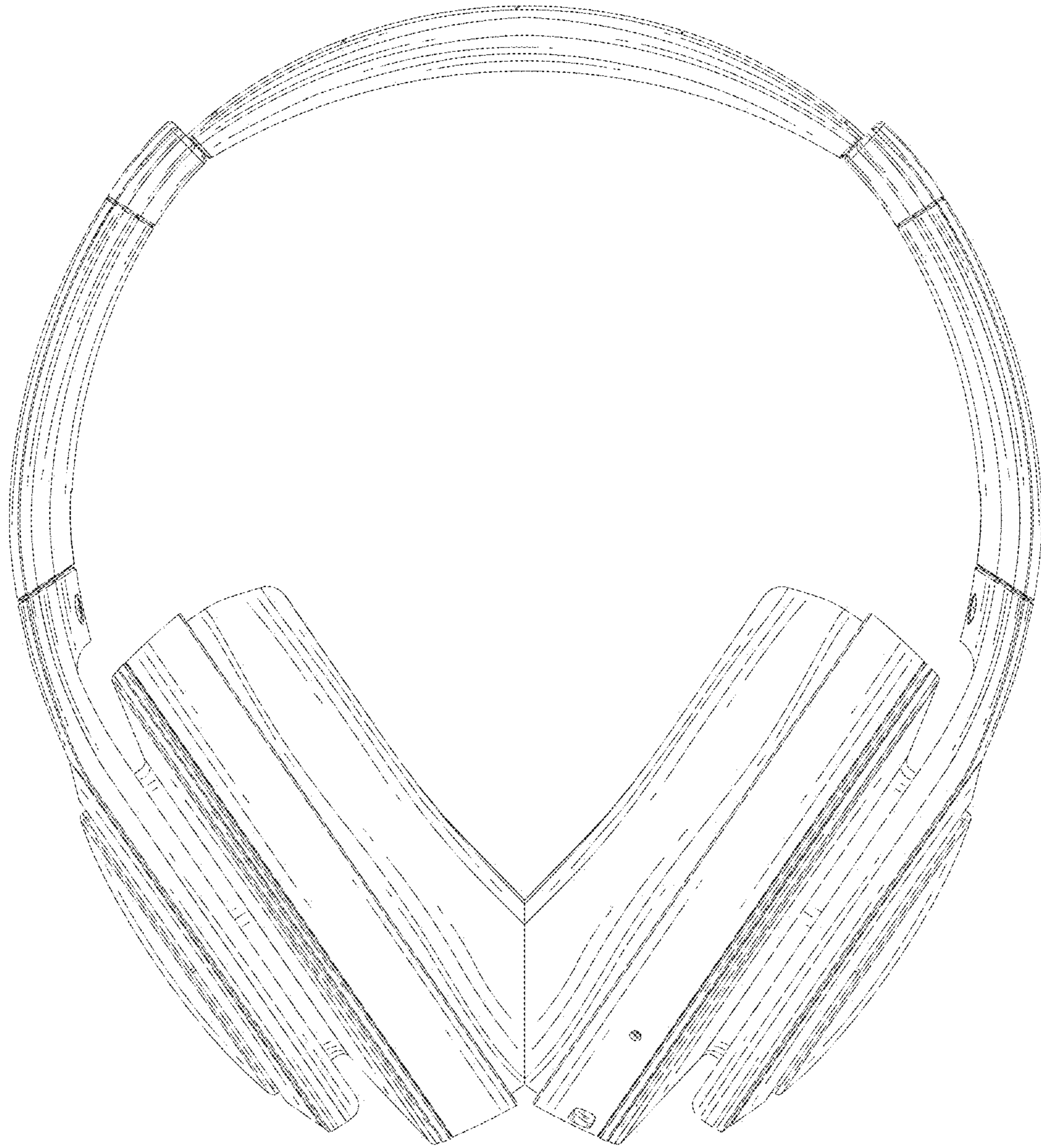


FIG. 3

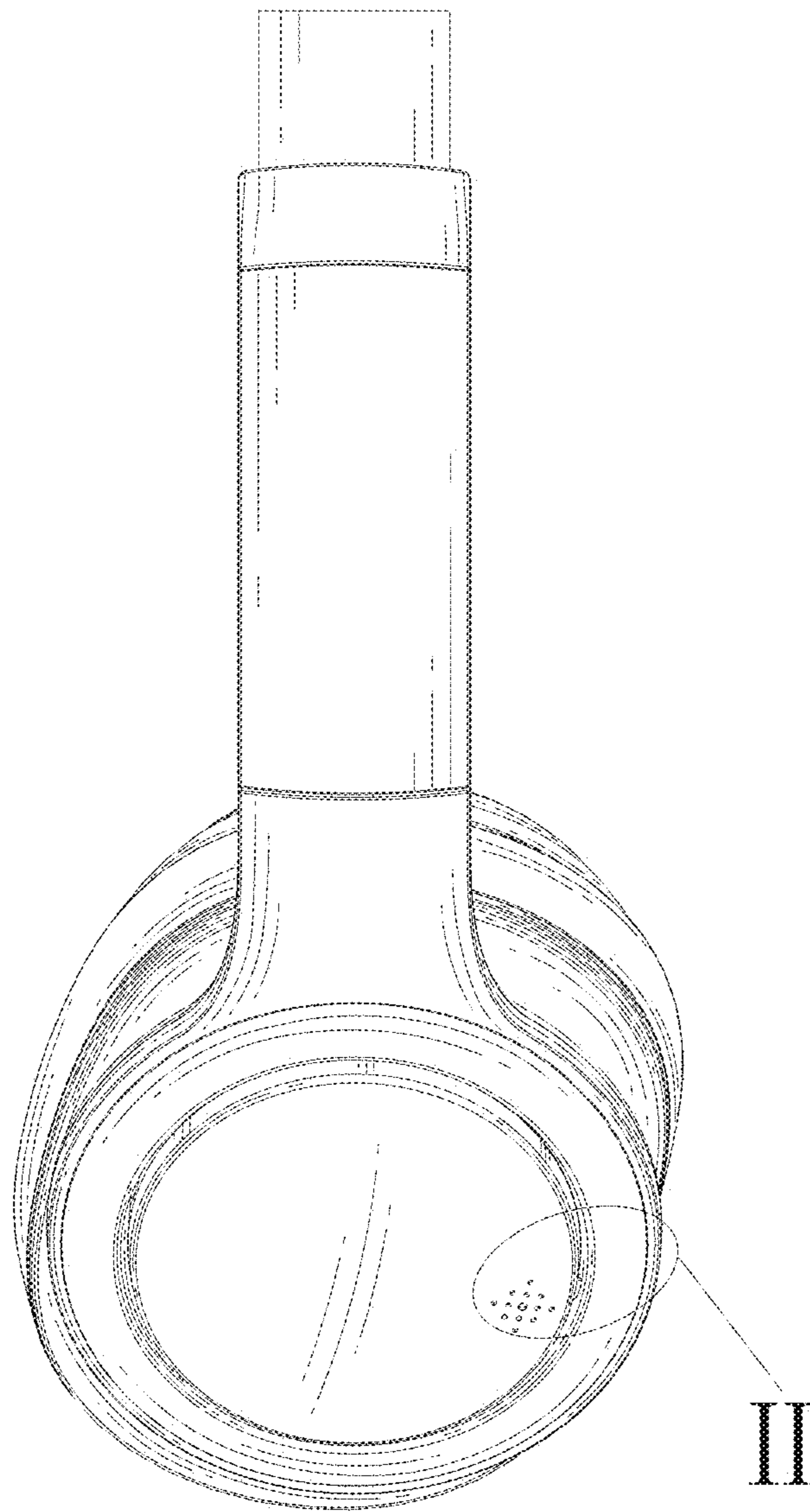


FIG. 4

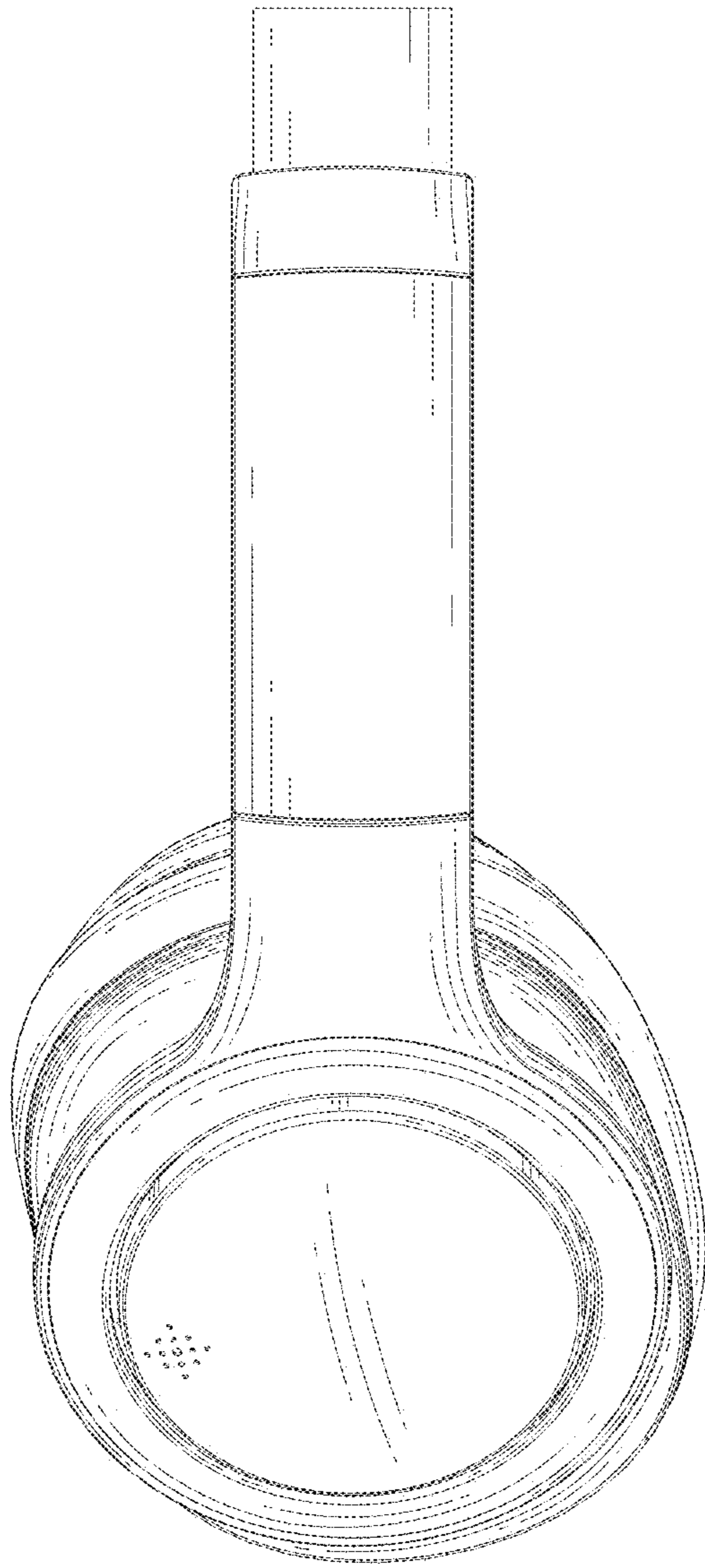


FIG. 5

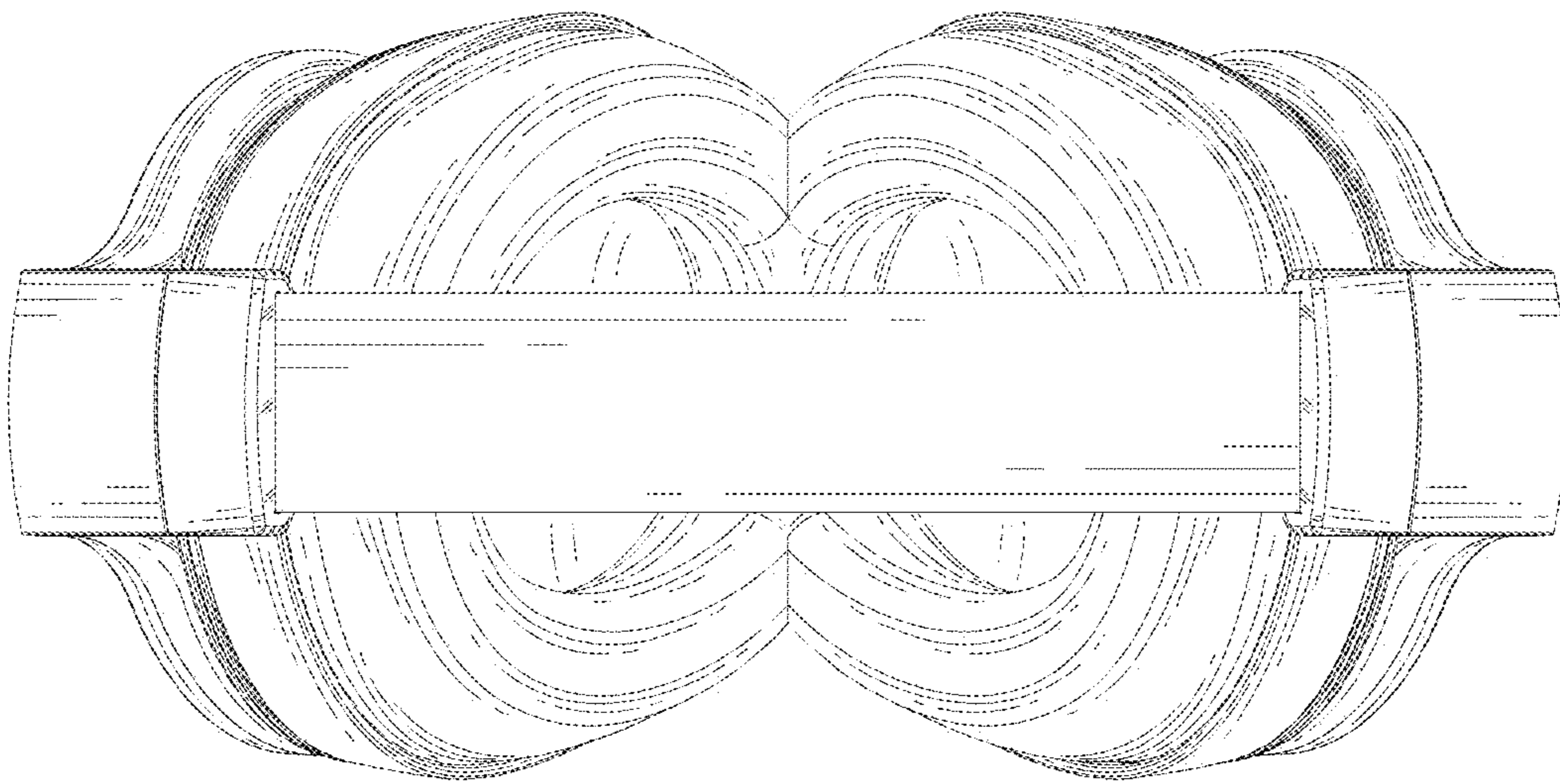


FIG. 6



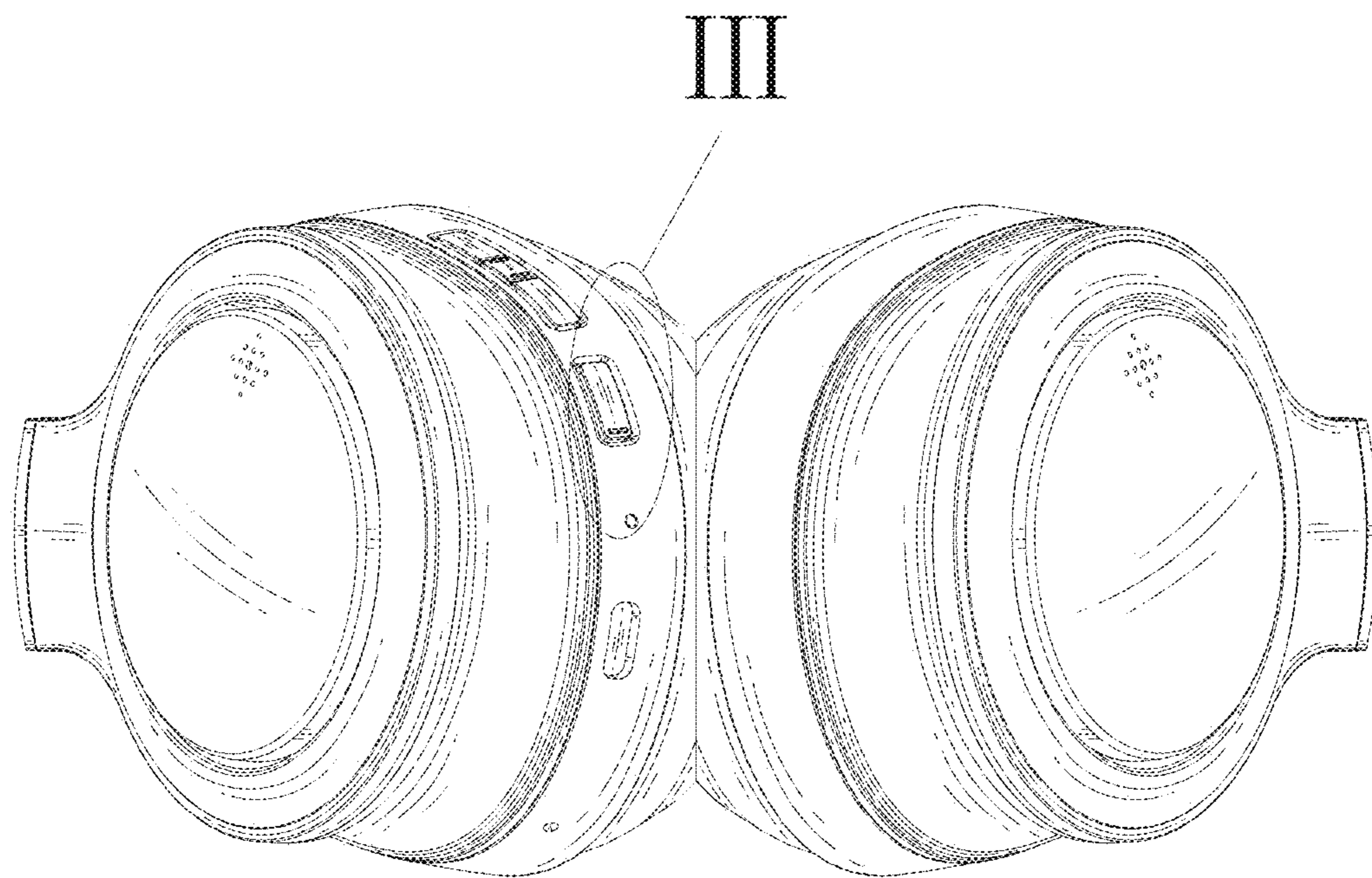


FIG. 7

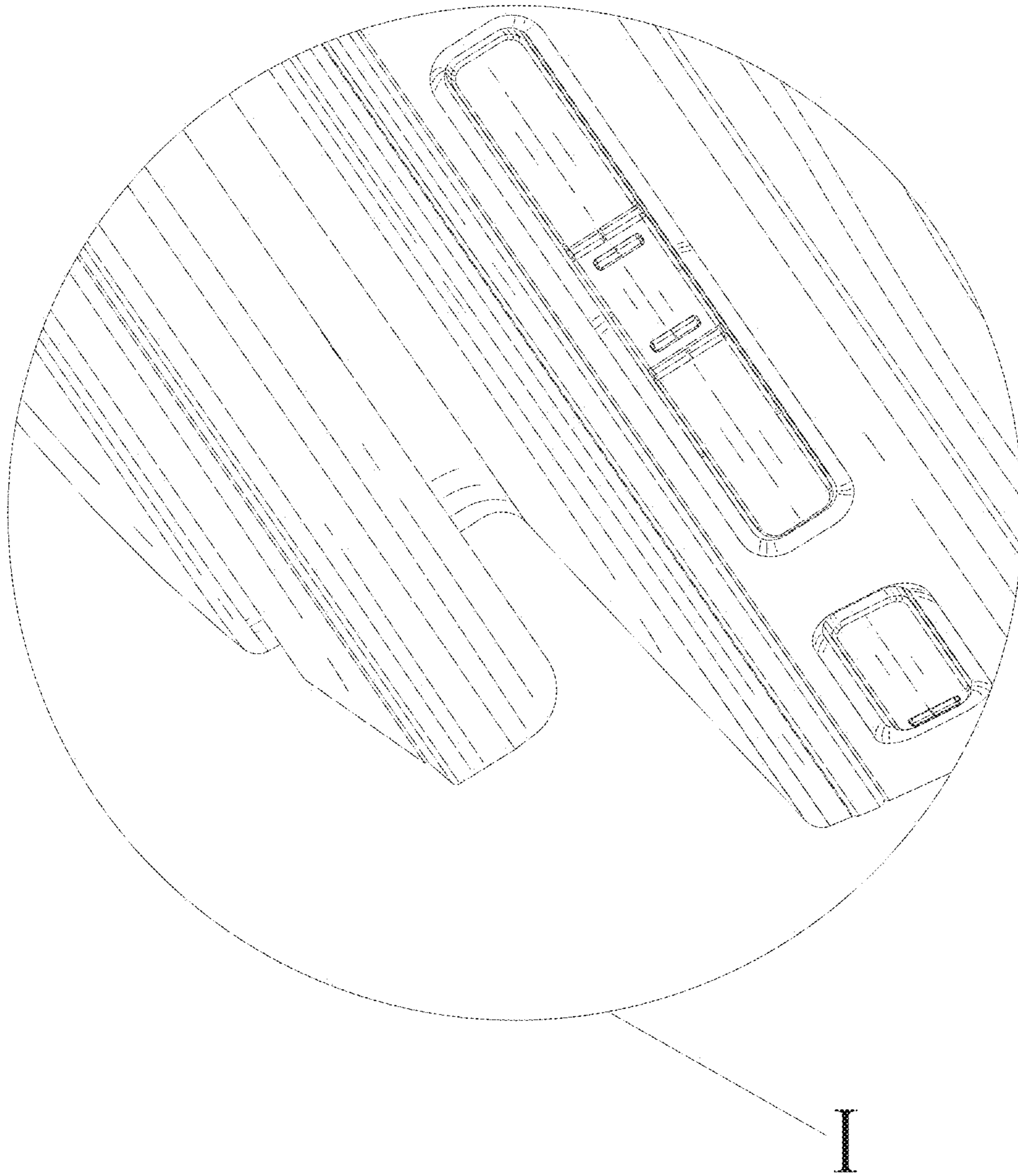


FIG. 8

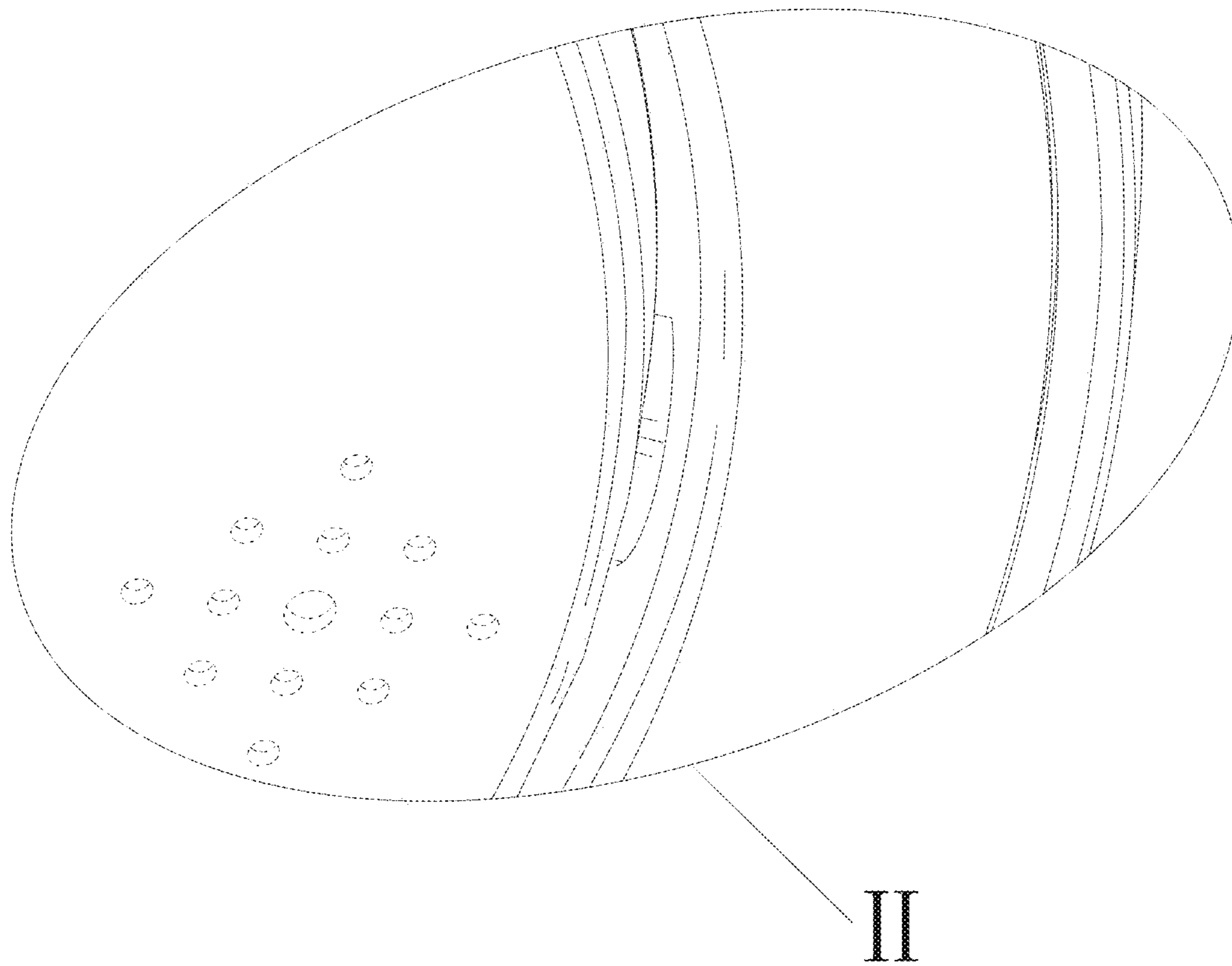


FIG. 9

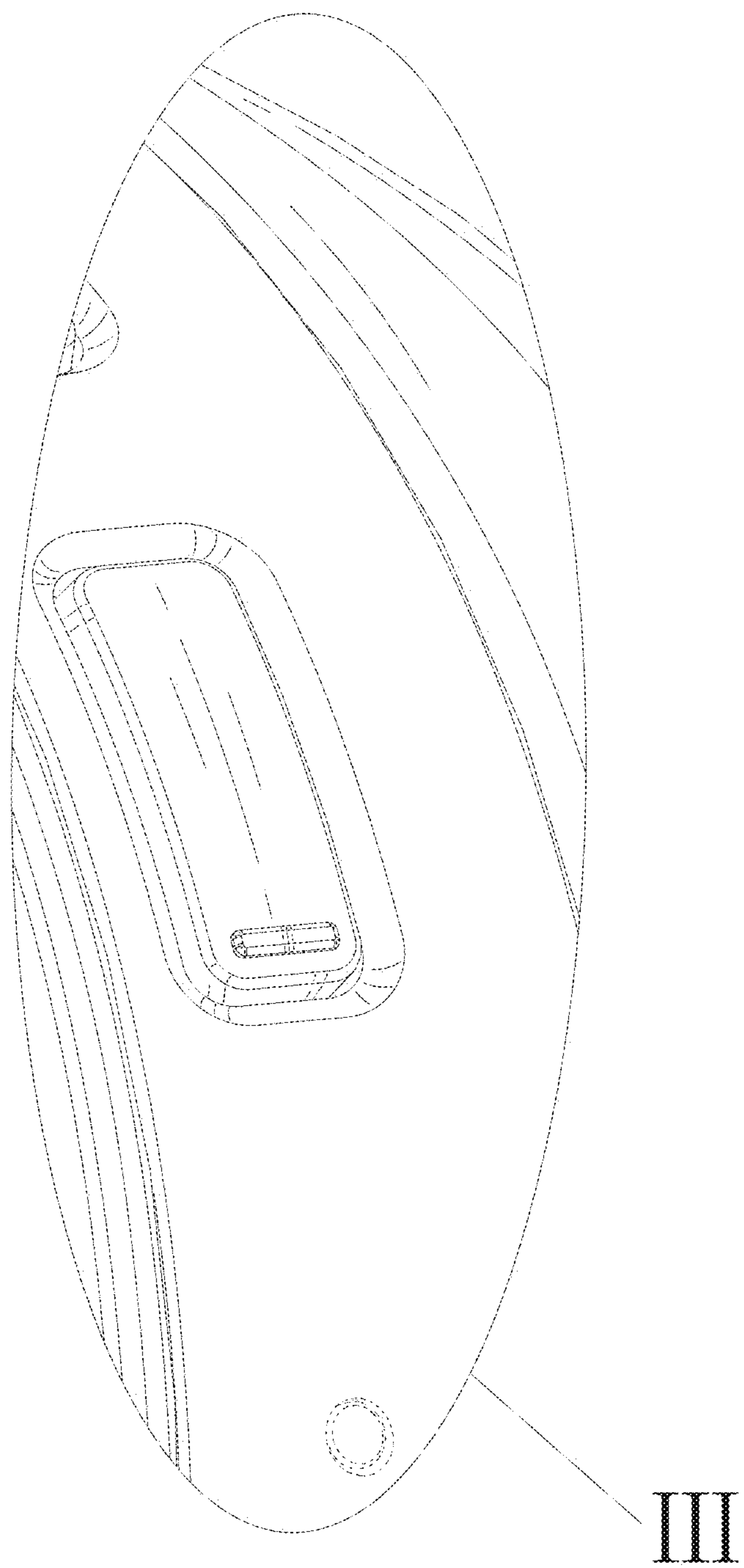


FIG. 10