

US00D968350S

(12) **United States Design Patent**  
**Xu et al.**

(10) **Patent No.:** **US D968,350 S**  
(45) **Date of Patent:** **\*\* Nov. 1, 2022**

(54) **MOBILE PHONE**

5/23222; G02B 7/02; G02B 7/021; G02B 7/12; G02B 7/04; G02B 7/14; G03B 15/03; G03B 17/12

(71) Applicant: **HUAWEI TECHNOLOGIES CO., LTD.**, Shenzhen (CN)

See application file for complete search history.

(72) Inventors: **Jian Xu**, Shenzhen (CN); **Guoping Wu**, Shenzhen (CN)

(56) **References Cited**

(73) Assignee: **HUAWEI TECHNOLOGIES CO., LTD.**, Shenzhen (CN)

U.S. PATENT DOCUMENTS

(\*\*) Term: **15 Years**

D583,343 S \* 12/2008 Lee ..... D14/138 AA  
D597,510 S \* 8/2009 Anderson ..... D14/138 AA  
D780,711 S \* 3/2017 Song ..... D14/138 G

(21) Appl. No.: **29/733,687**

\* cited by examiner

(22) Filed: **May 6, 2020**

*Primary Examiner* — Llorellys Martinez  
*Assistant Examiner* — Kwabena A. Ankobiah  
(74) *Attorney, Agent, or Firm* — Rimon PC

(30) **Foreign Application Priority Data**

(57) **CLAIM**

Nov. 6, 2019 (CN) ..... 201930609117.3

The ornamental design for a mobile phone, as shown and described.

(51) **LOC (13) Cl.** ..... **14-03**

**DESCRIPTION**

(52) **U.S. Cl.**

USPC ..... **D14/138 C**

(58) **Field of Classification Search**

USPC ..... D14/496, 138 R, 138 AA, 138 AB, D14/138 AC, 138 AD, 138 C, 138 G, D14/203.1, 203.3, 203.4, 203.7, 212, 248, D14/299, 341, 348, 426, 439, 505, 506, D14/507; D16/101, 203, 207, 210, 330, D16/334; D26/25, 34, 35, 36

CPC ..... G06F 3/041; G06F 3/0412; G06F 3/0488; G06F 3/04883; G06F 1/1613; G06F 1/1686; G06F 1/1626; G06F 1/1692; G06F 2200/1633; H04M 1/0283; H04M 1/0279; H04M 1/0202; H04M 1/0266; H04M 1/027; H04N 13/128; H04N 13/239; H04N 13/243; H04N 13/271; H04N 13/302; H04N 13/398; H04N 5/2551; H04N 5/2252; H04N 5/2254; H04N 5/2258; H04N 5/247; H04N

FIG. 1 is a front view of a mobile phone, showing our new design;

FIG. 2 is a back view thereof;

FIG. 3 is a left view thereof;

FIG. 4 is a right view thereof;

FIG. 5 is a top view thereof;

FIG. 6 is a bottom view thereof;

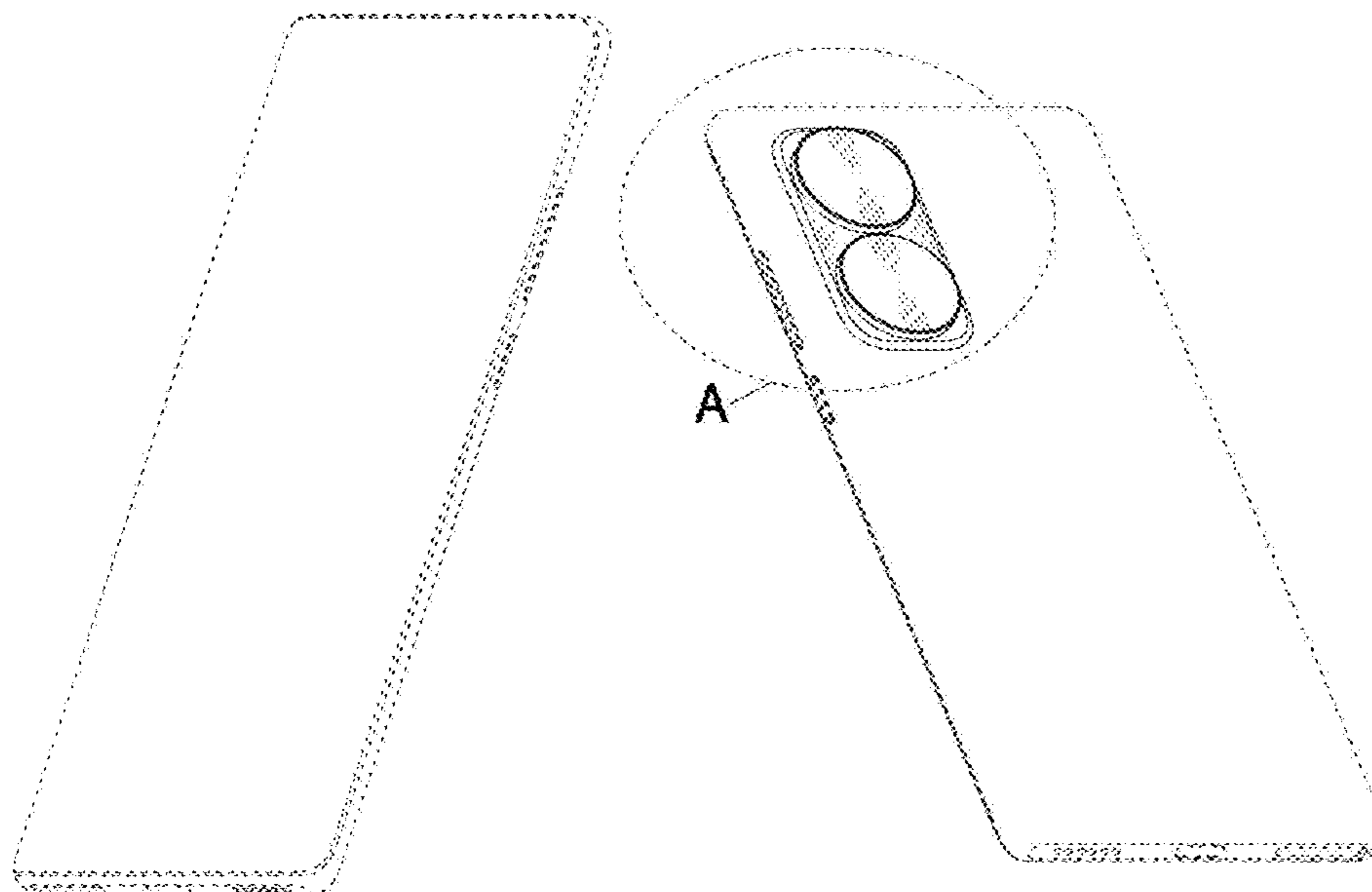
FIG. 7 is a front perspective view thereof;

FIG. 8 is a back perspective view thereof; and,

FIG. 9 is an enlarged back perspective view thereof, taken from encircled portion "A" in FIG. 8.

The broken lines depict portions of the mobile phone that form no part of the claimed design. The dash-dash broken lines encircling a portion of the drawings in FIGS. 8 and 9 are included to show a partially enlarged view only and form no part of the claimed design.

**1 Claim, 9 Drawing Sheets**



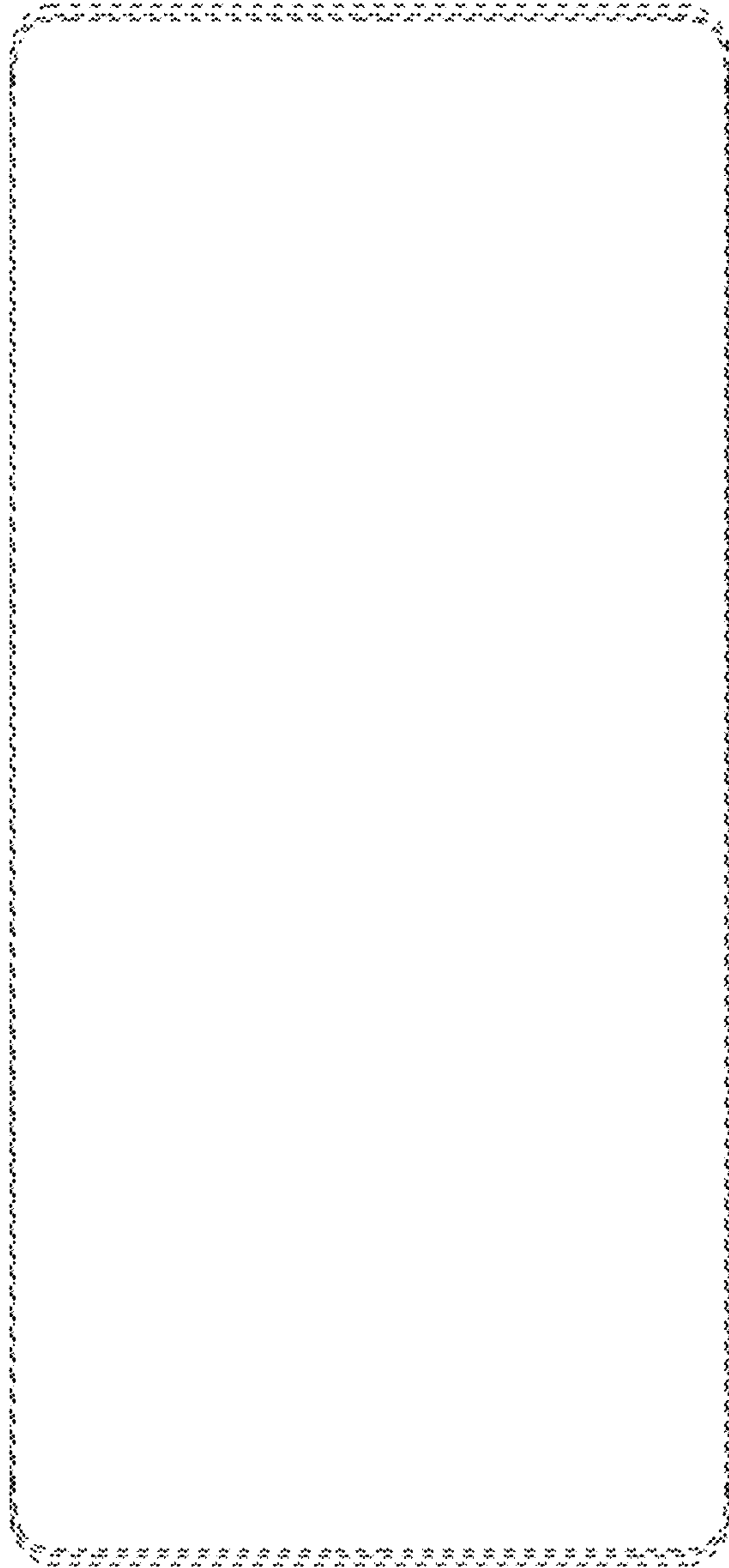


FIG. 1

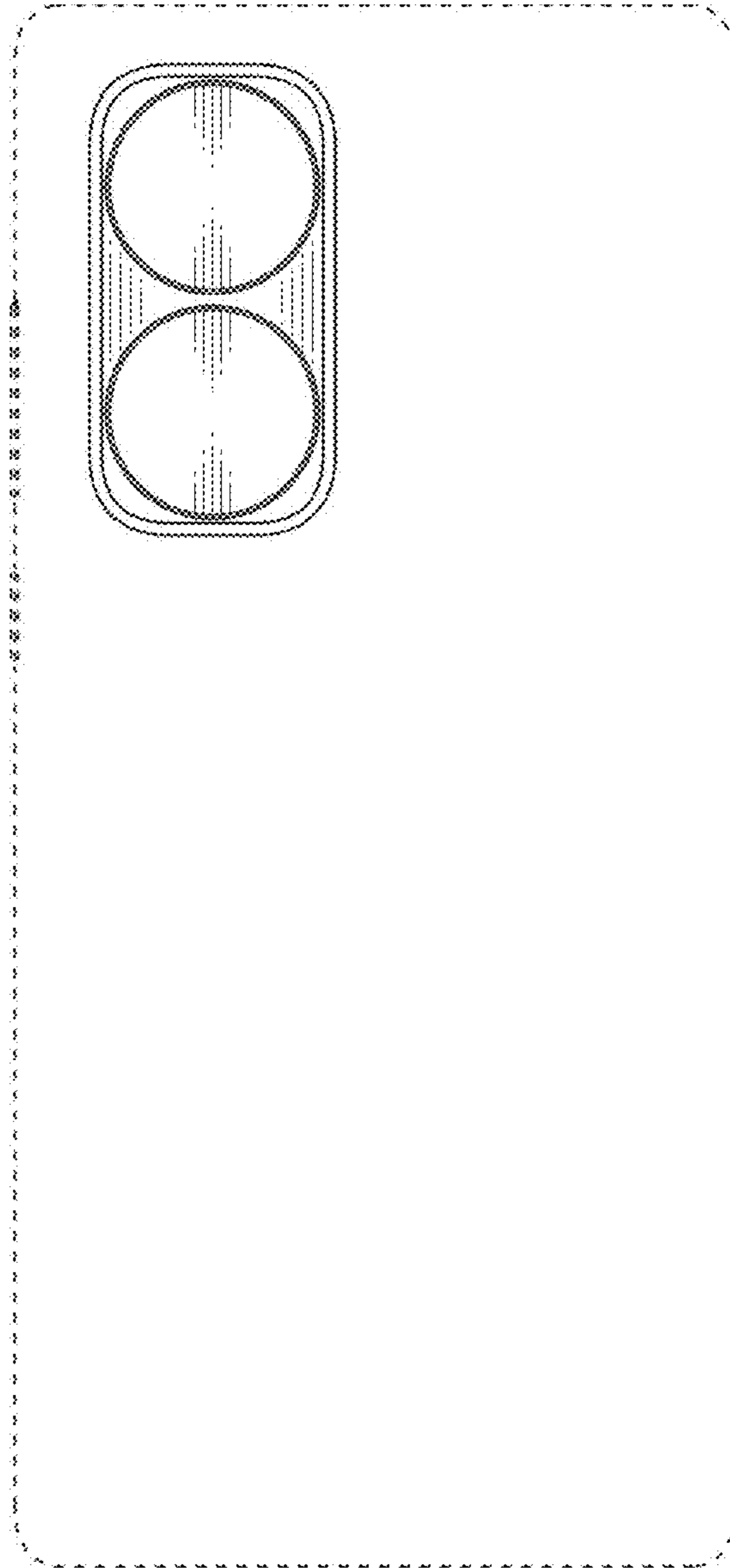


FIG. 2

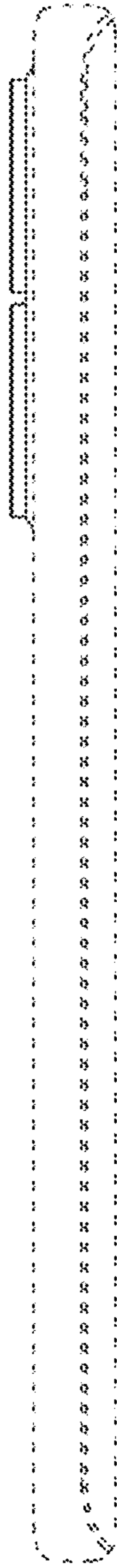


FIG. 3

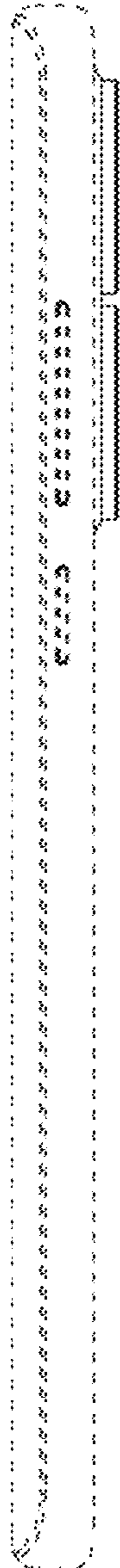
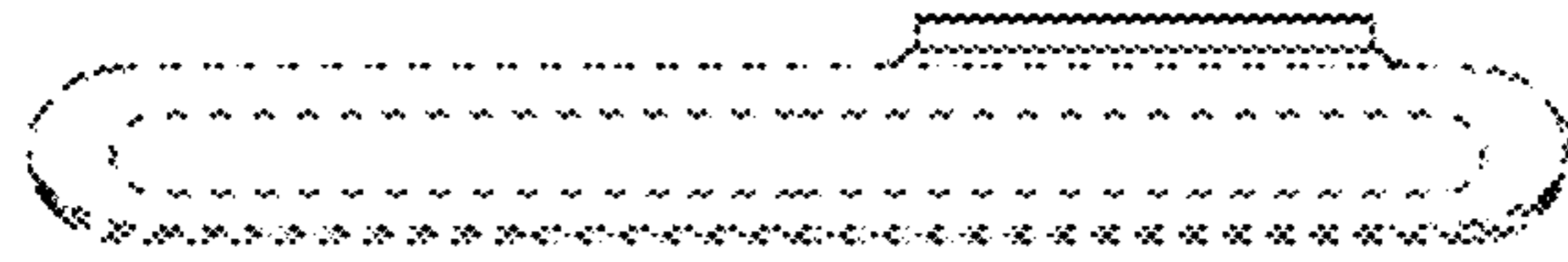


FIG. 4



**FIG. 5**

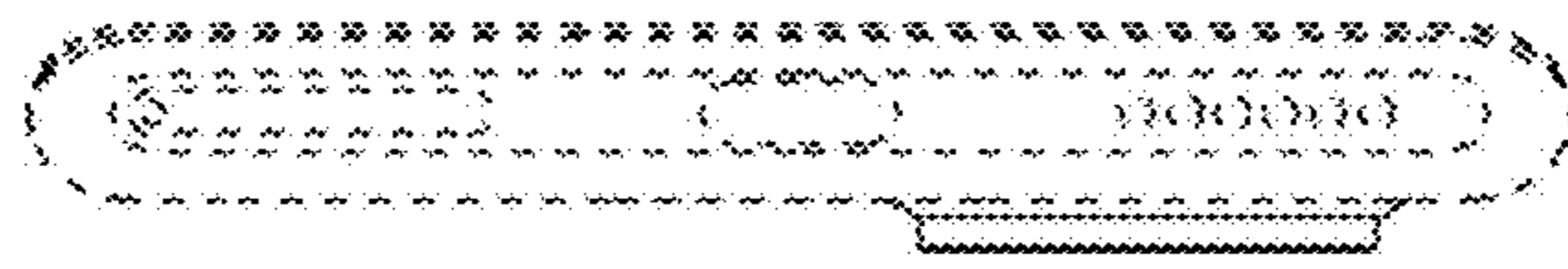


FIG. 6

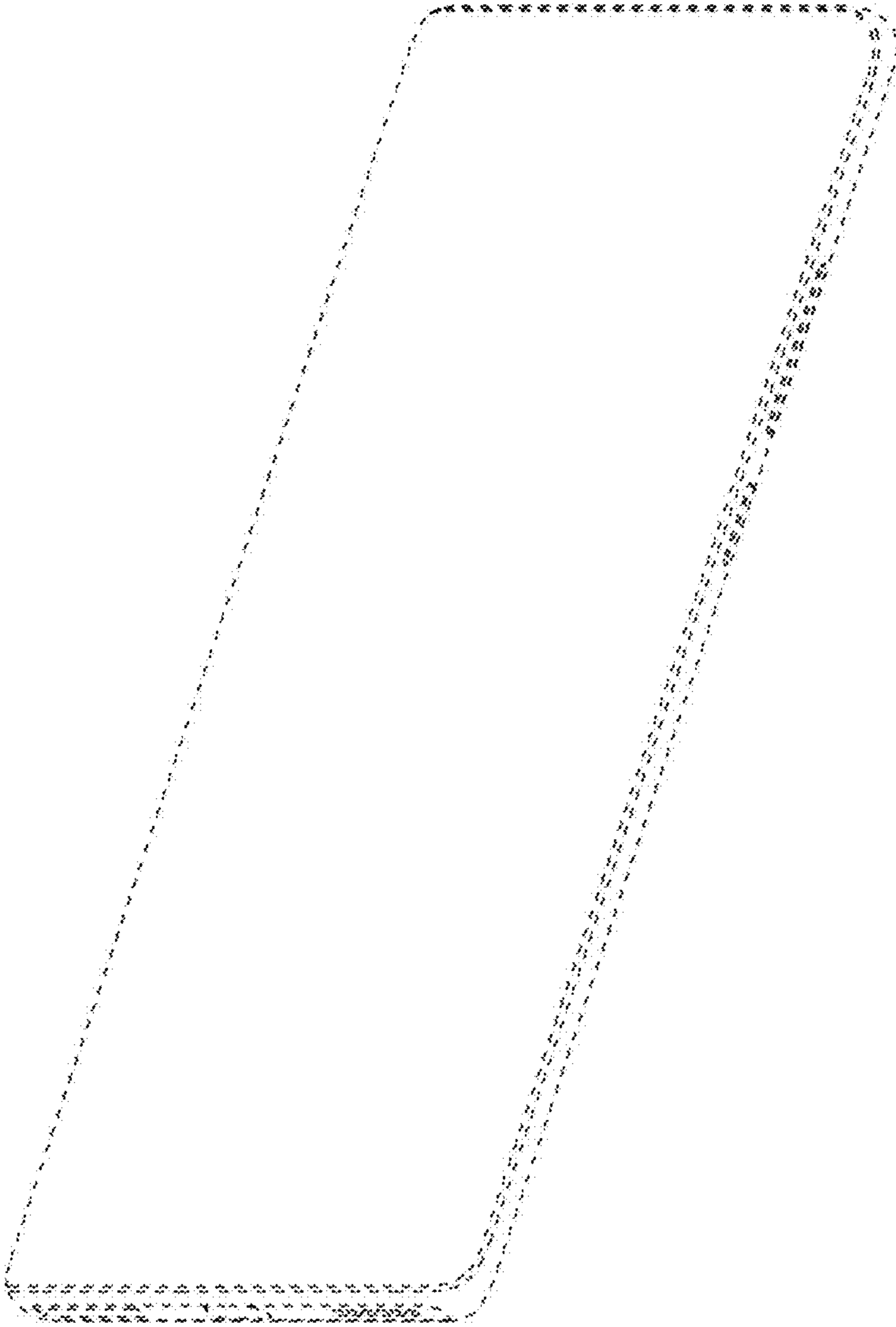


FIG. 7



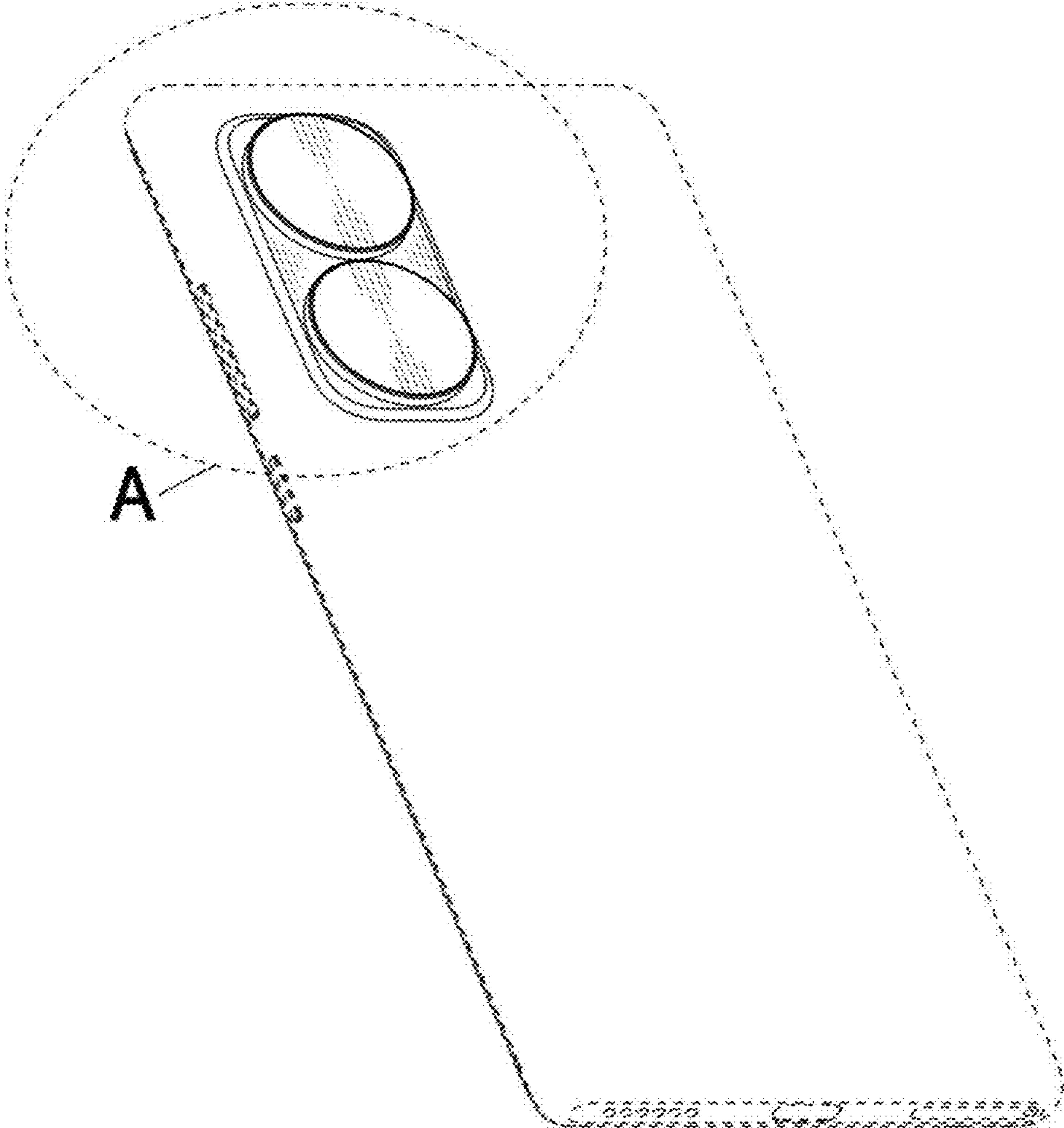


FIG. 8

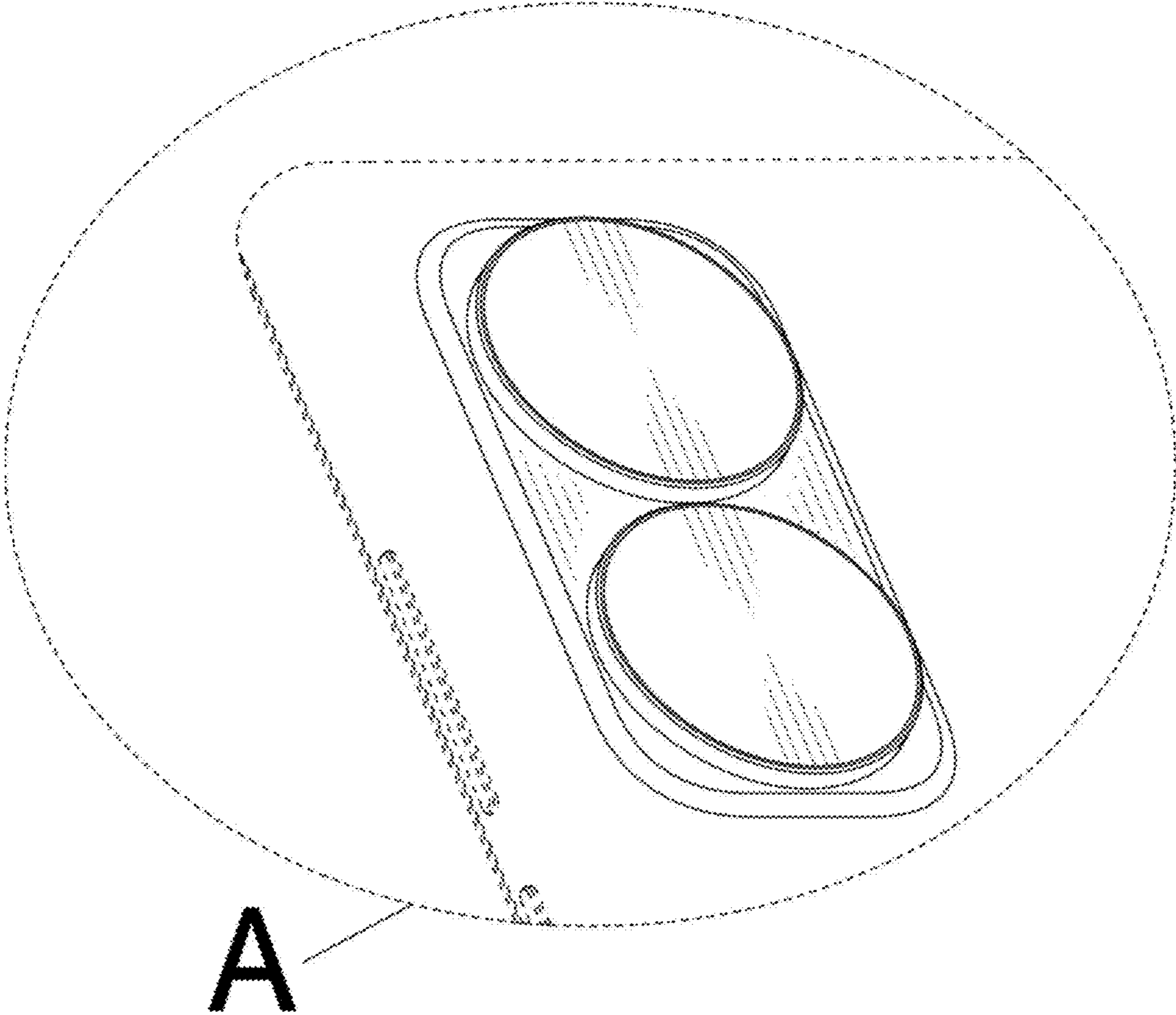


FIG. 9