



US00D968349S

(12) **United States Design Patent**
Onoue

(10) **Patent No.:** **US D968,349 S**

(45) **Date of Patent:** **** Nov. 1, 2022**

(54) **PORTABLE COMMUNICATION DEVICE**

D894,143 S * 8/2020 Nishizawa D14/137
D917,410 S * 4/2021 Suzuki D14/137
D958,100 S * 7/2022 Nakagawa D14/137

(71) Applicant: **ICOM INCORPORATED**, Osaka (JP)

(72) Inventor: **Tsuyoshi Onoue**, Osaka (JP)

(73) Assignee: **ICOM INCORPORATED**, Osaka (JP)

(**) Term: **15 Years**

(21) Appl. No.: **29/739,300**

(22) Filed: **Jun. 24, 2020**

(30) **Foreign Application Priority Data**

Dec. 25, 2019 (JP) 2019-028710

(51) **LOC (13) Cl.** **14-03**

(52) **U.S. Cl.**
USPC **D14/137**

(58) **Field of Classification Search**
USPC D14/137, 138 R, 138 AA, 138 AD;
D10/104.1

CPC .. H04B 1/3833; H04B 1/3827; H04B 1/3855;
H04B 2001/3861; H04M 1/0202; H04M
1/03; H04M 1/035

See application file for complete search history.

(56) **References Cited**

U.S. PATENT DOCUMENTS

D606,035 S * 12/2009 Tan D14/137
D651,997 S * 1/2012 Oikawa D14/137
D749,533 S * 2/2016 Sakata D14/137
D892,071 S * 8/2020 Zhang D14/137

FOREIGN PATENT DOCUMENTS

JP D1387250 S 5/2010
JP D1411319 S 4/2011
JP D1508245 S 10/2014
JP D1610845 S 8/2018

* cited by examiner

Primary Examiner — Bridget L Eland

(74) *Attorney, Agent, or Firm* — Birch, Stewart, Kolasch & Birch, LLP

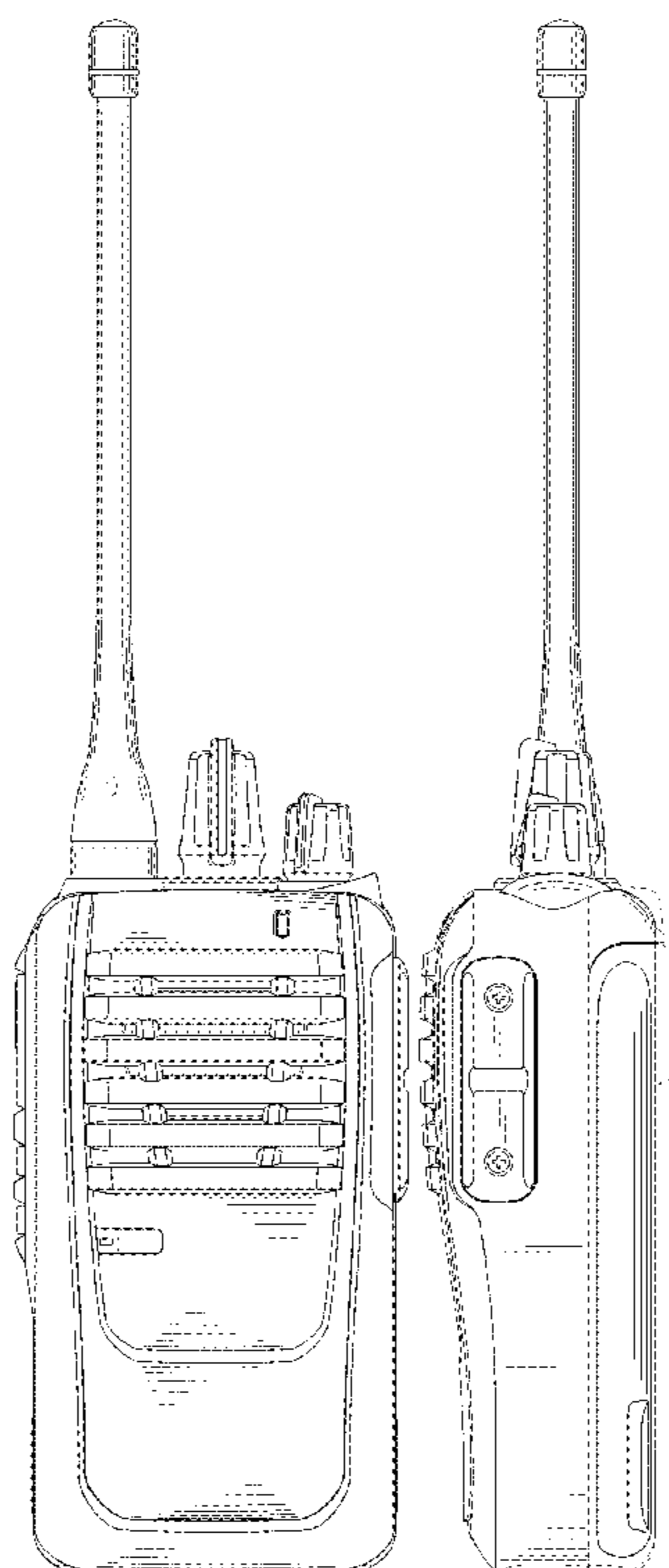
(57) **CLAIM**

The ornamental design for a portable communication device, as shown and described.

DESCRIPTION

FIG. 1 is a perspective view of a portable communication device showing our new design;
FIG. 2 is a front view thereof;
FIG. 3 is a rear view thereof;
FIG. 4 is a left side view thereof;
FIG. 5 is a right side view thereof;
FIG. 6 is a top view thereof;
FIG. 7 is a bottom view thereof;
FIG. 8 is an enlarged top view thereof; and,
FIG. 9 is an enlarged bottom view thereof.
The broken lines in the drawings show portions of the portable communication device that form no part of the claimed design.

1 Claim, 6 Drawing Sheets



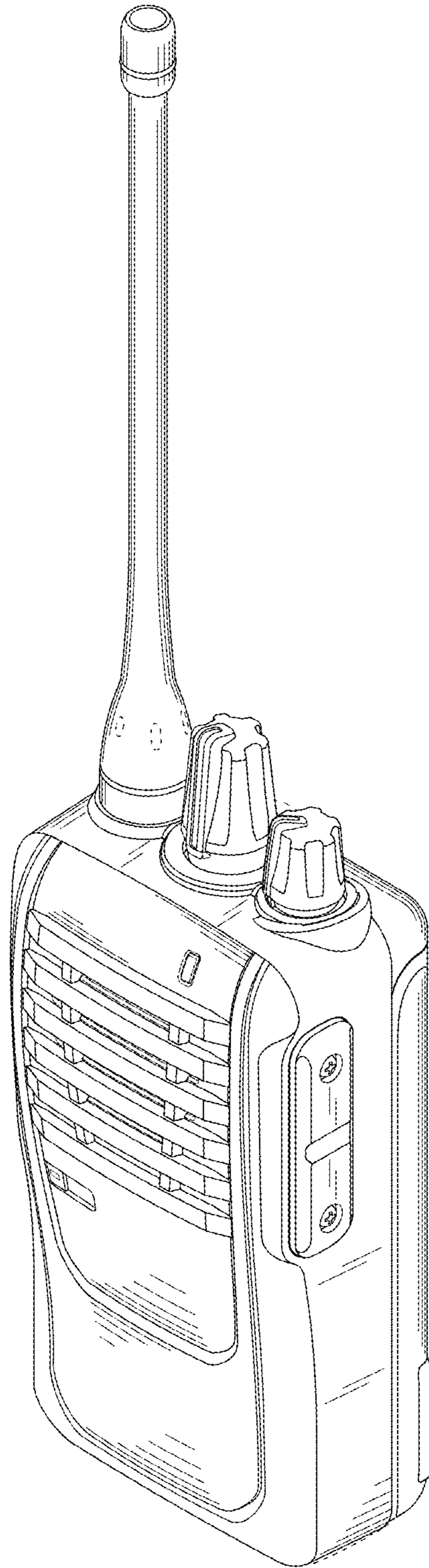


FIG. 1

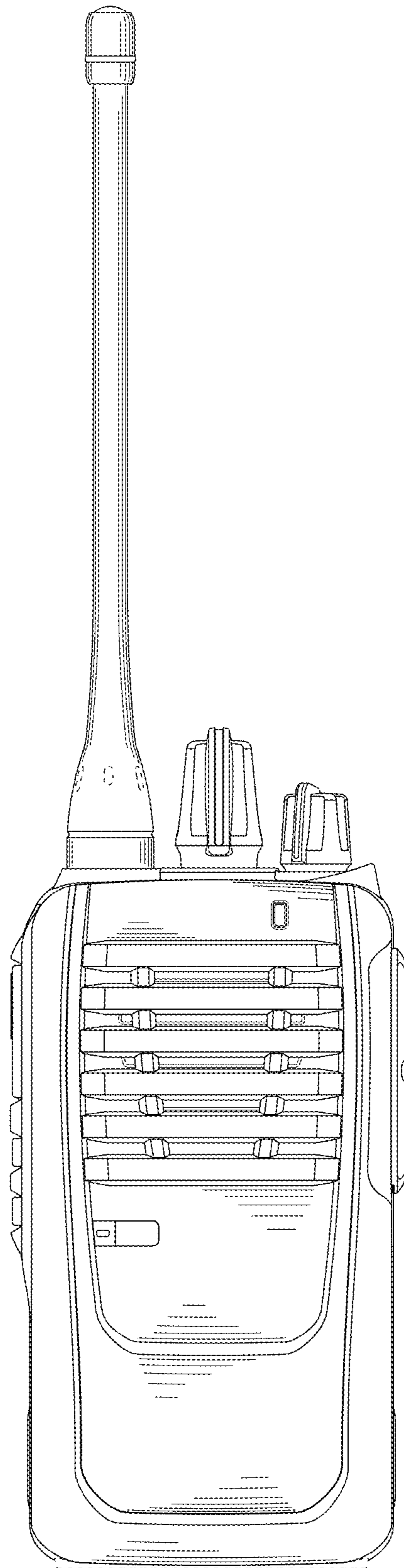


FIG.2

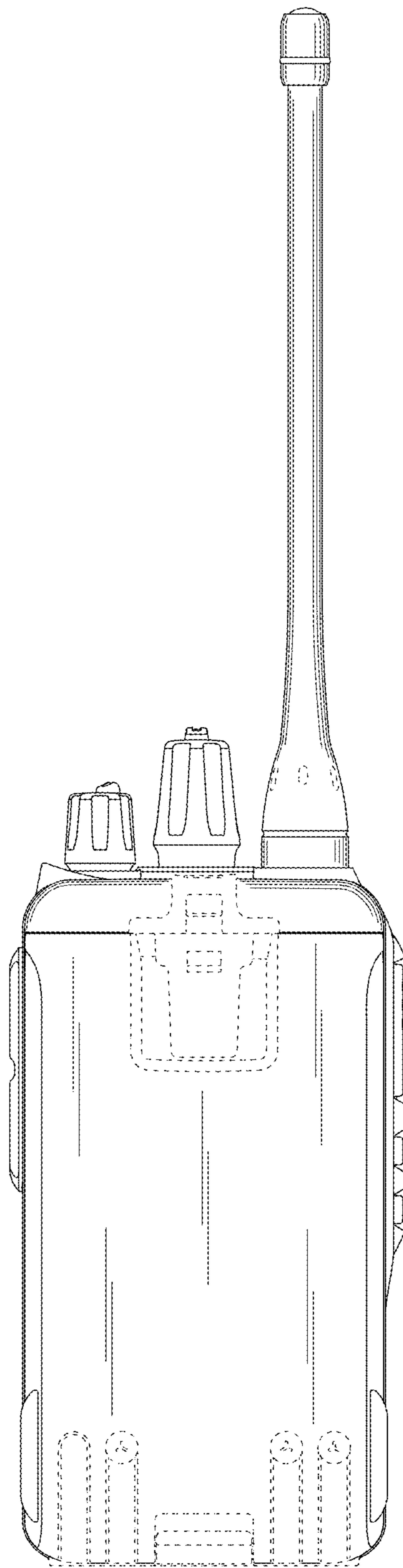


FIG.3

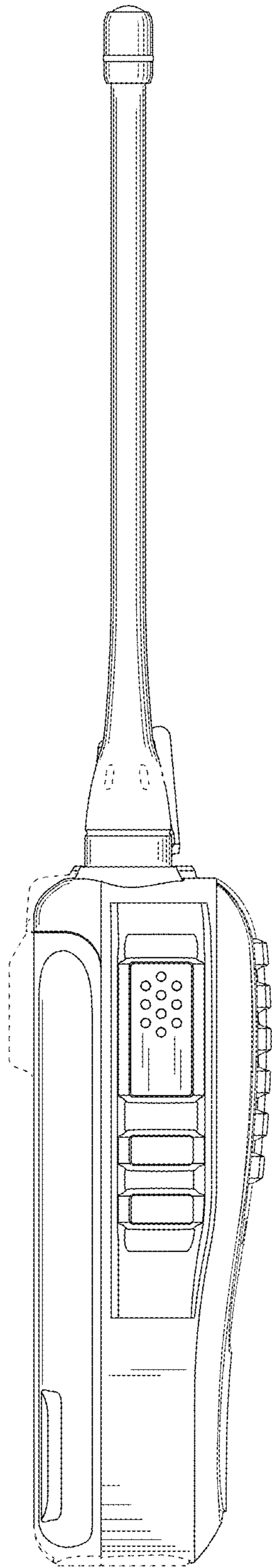


FIG.4

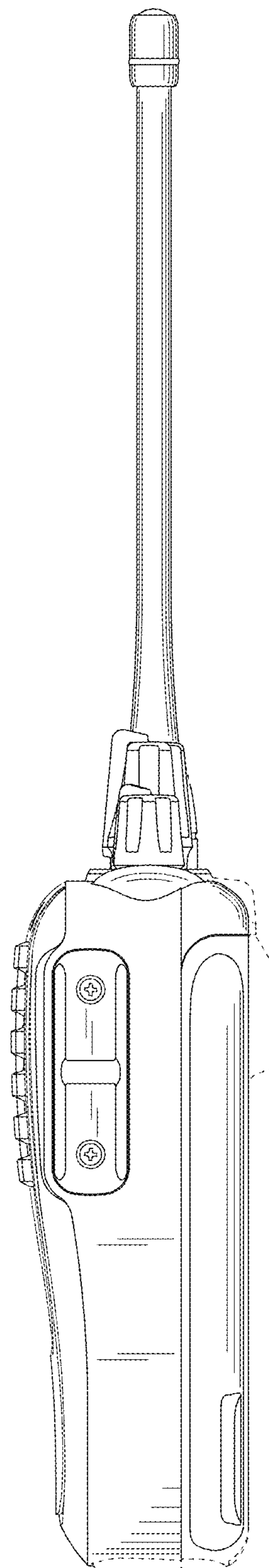


FIG.5

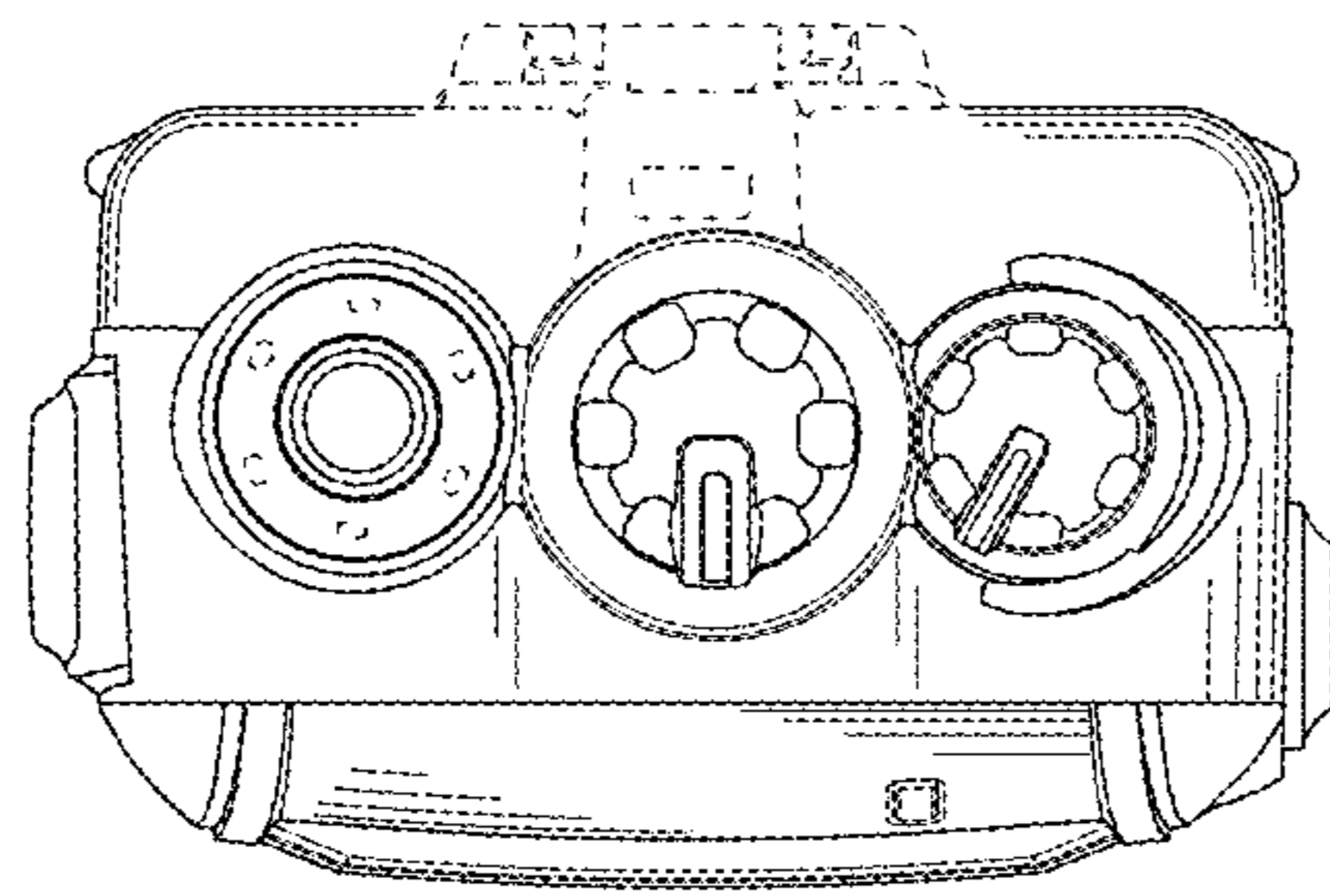


FIG. 6

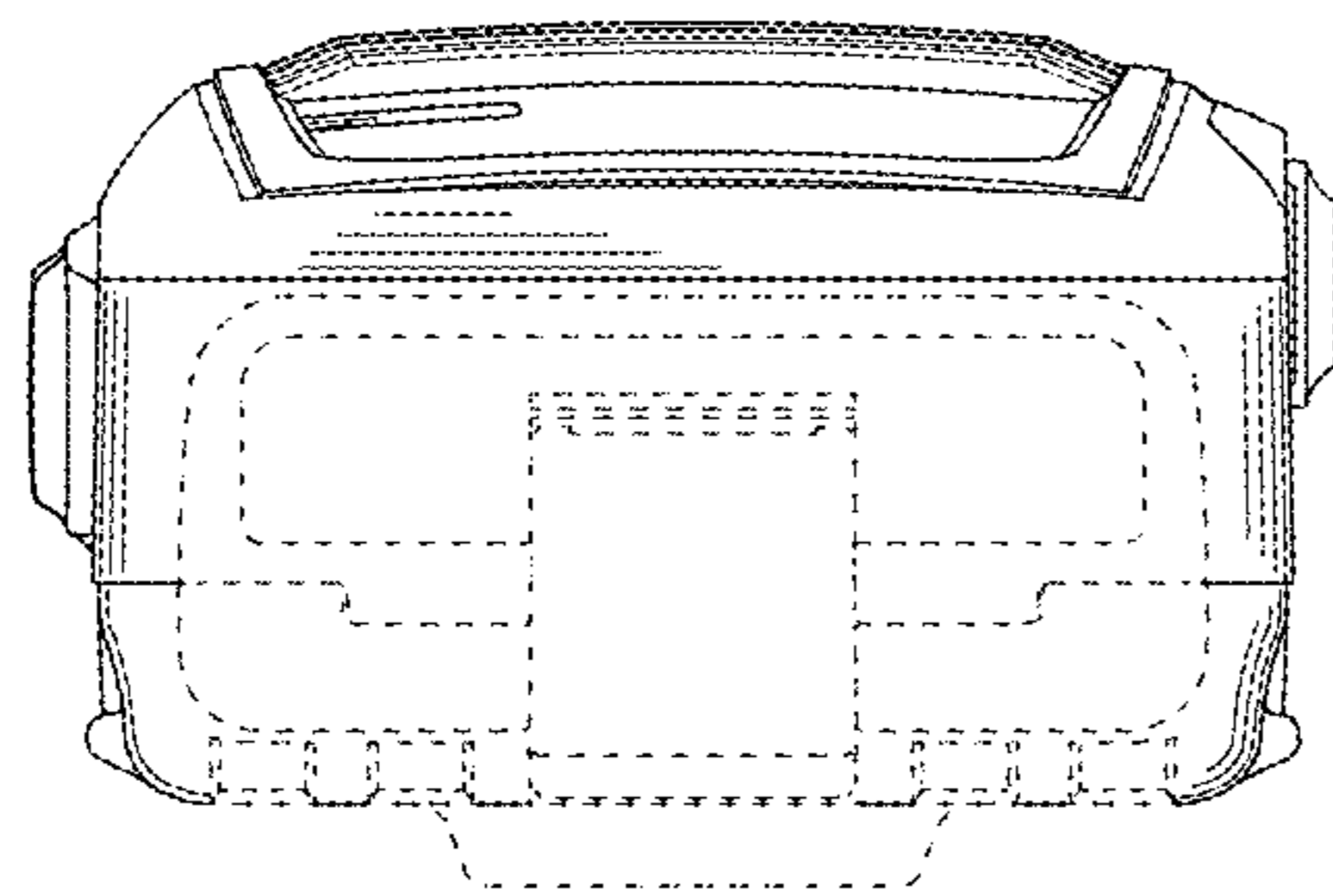


FIG. 7

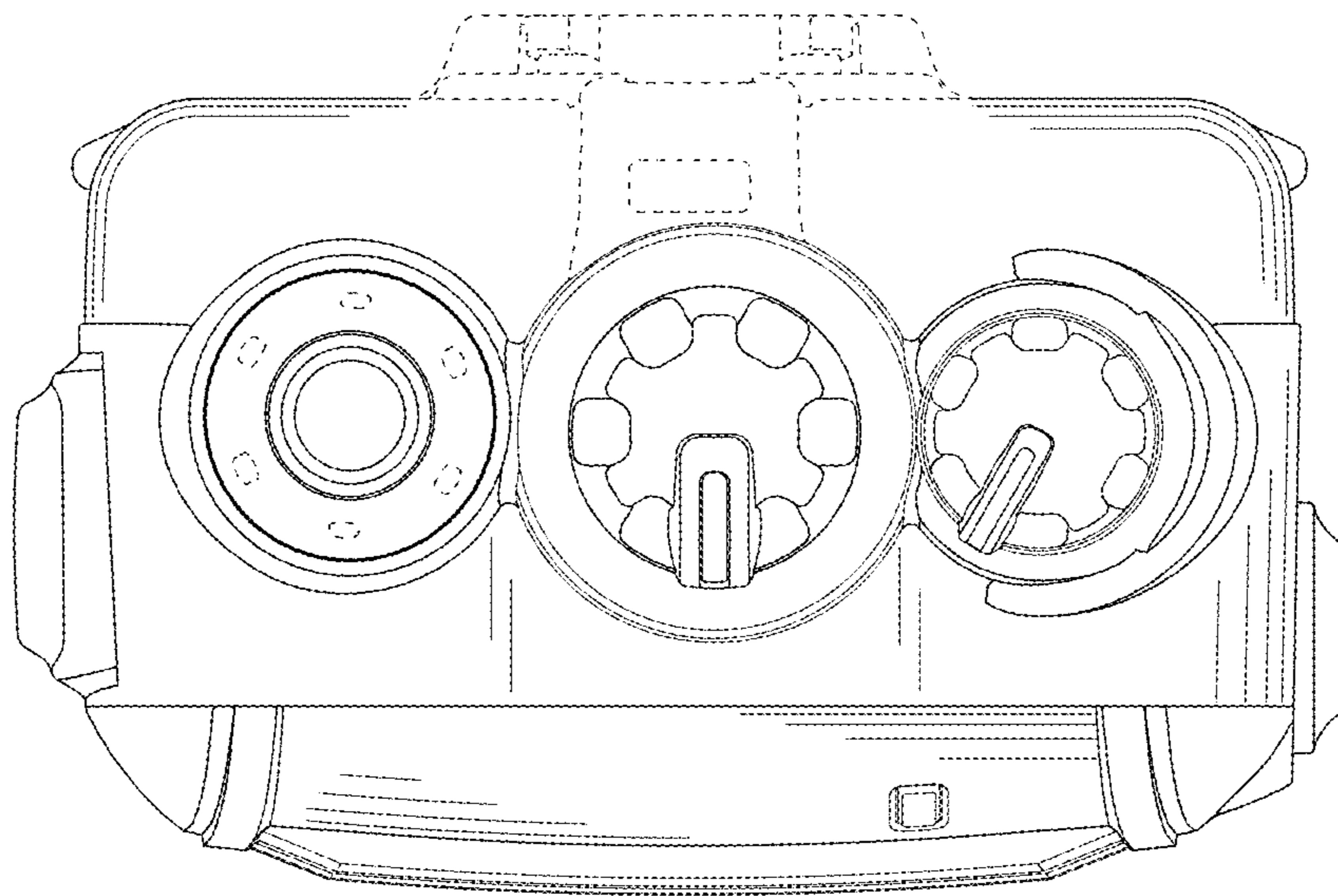


FIG. 8

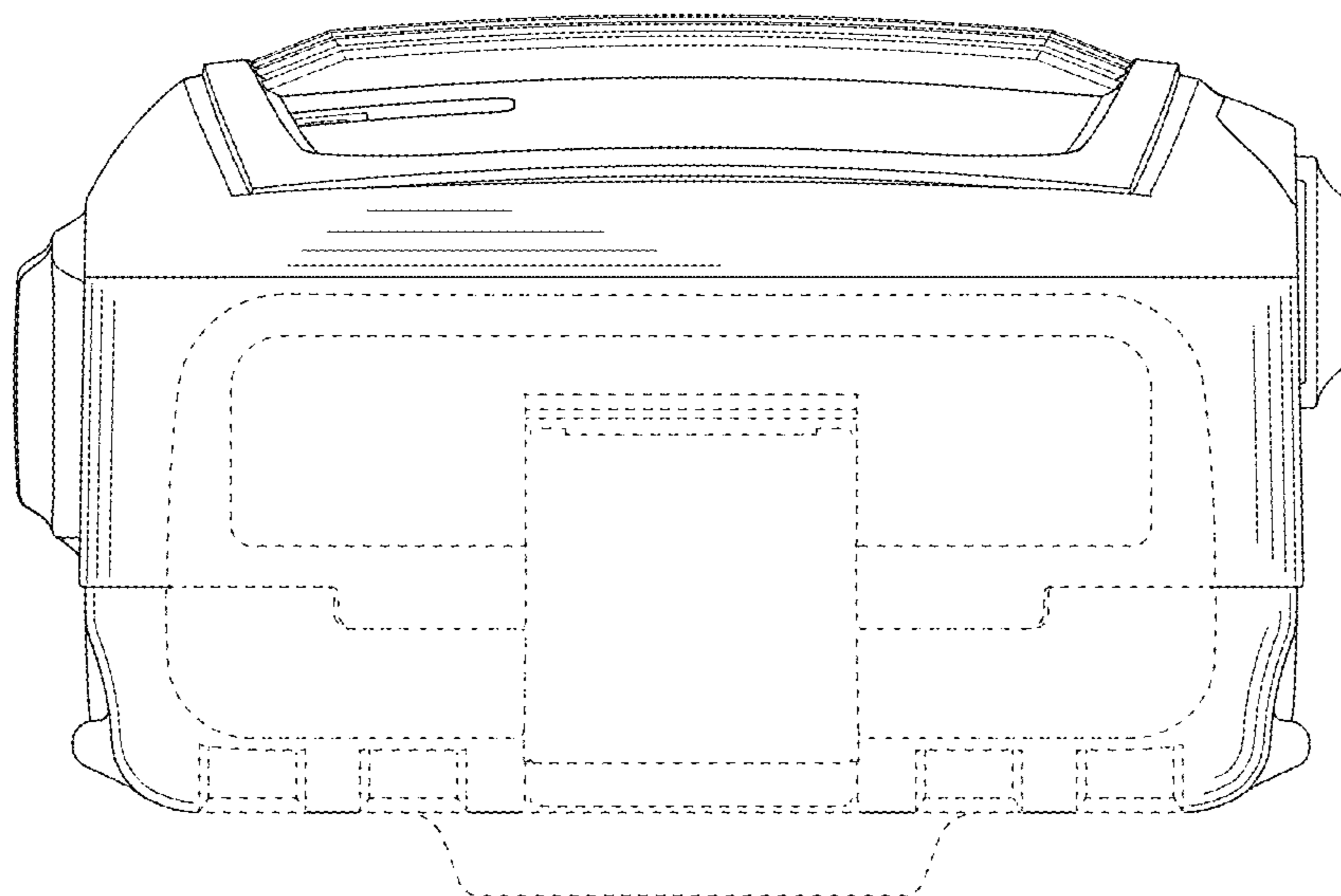


FIG. 9