



US00D968348S

(12) **United States Design Patent**
Wang et al.

(10) **Patent No.:** **US D968,348 S**
(45) **Date of Patent:** **** Nov. 1, 2022**

- (54) **TOY WALKIE-TALKIE**
- (71) Applicants: **Xingxian Wang**, Fujian (CN); **Haiming Li**, Fujian (CN)
- (72) Inventors: **Xingxian Wang**, Fujian (CN); **Haiming Li**, Fujian (CN)
- (**) Term: **15 Years**
- (21) Appl. No.: **29/738,470**
- (22) Filed: **Jun. 17, 2020**
- (51) **LOC (13) Cl.** **14-03**
- (52) **U.S. Cl.**
USPC **D14/137; D21/517**
- (58) **Field of Classification Search**
USPC D14/137, 138 AA, 147, 148, 218, 155, D14/159, 142, 225, 226, 191, 203.3, D14/203.7, 203.1, 203.5, 188, 192, D14/194-198; D21/517; D10/104.1, D10/104.2, 106.1, 65, 78; D13/168; D30/199
CPC H04B 1/3833; H04B 1/3827; H04B 2001/3861; G08B 21/0202
See application file for complete search history.

D925,485 S *	7/2021	Wang	D14/137
D932,453 S *	10/2021	Xiao	D14/137
D933,035 S *	10/2021	Yu	D14/137

FOREIGN PATENT DOCUMENTS

CN	305447191	*	11/2019
CN	306175457	*	11/2020
CN	306217173	*	12/2020
CN	306893268	*	10/2021
EM	006335626-0001	*	6/2019

OTHER PUBLICATIONS

UUT51818 Walkie talkie External Photos Shenzhen Unison Technology, fccid.io, date available May 16, 2021, [online], [site visited Jun. 17, 2022]. Internet URL: <https://fccid.io/2AT9H-UUT51818/External-Photos/External-Photos-5247500> (Year: 2021).*

* cited by examiner

Primary Examiner — Jeffrey D Asch

(57) **CLAIM**

The ornamental design for a toy walkie-talkie, as shown and described.

DESCRIPTION

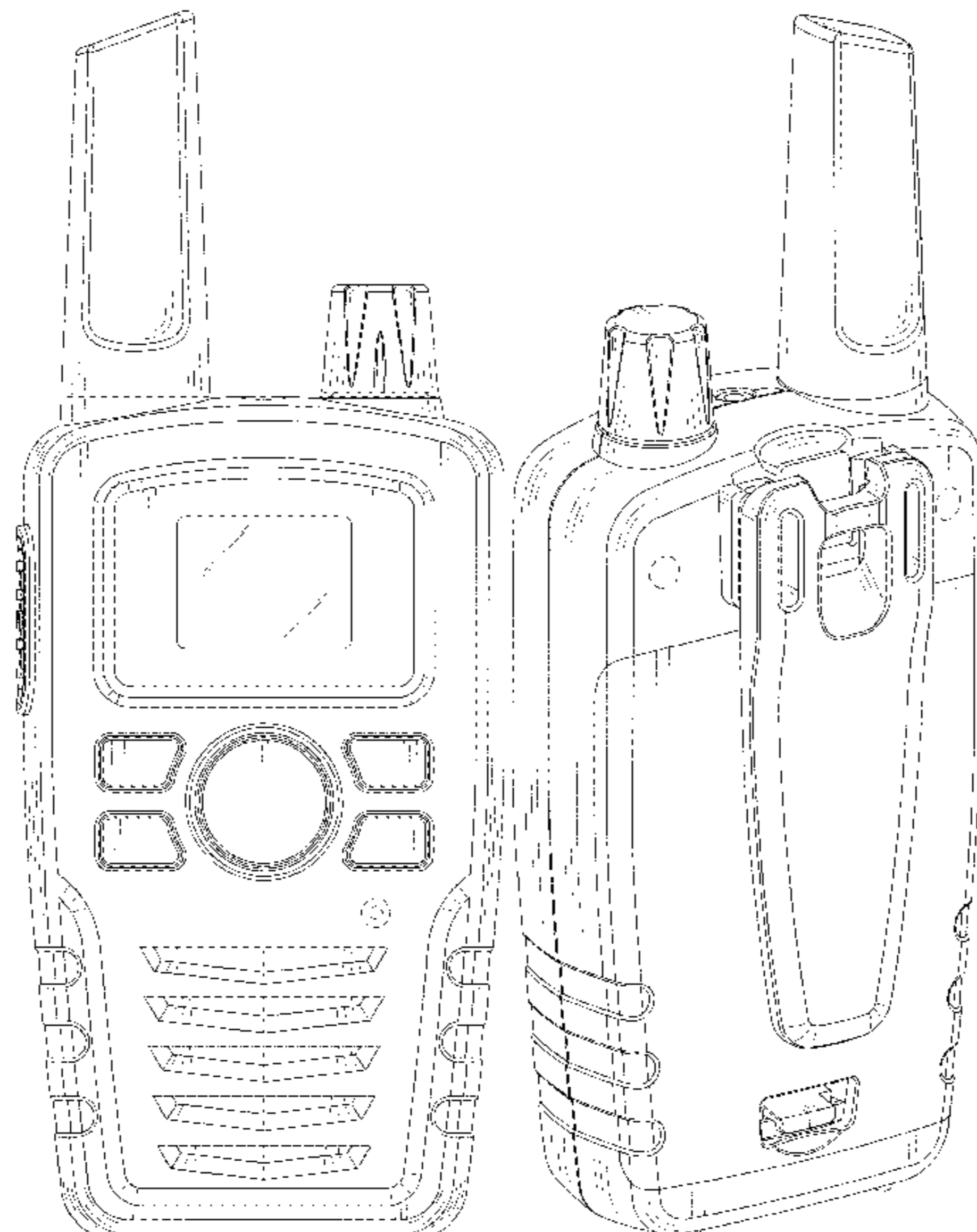
FIG. 1 is a perspective view of a toy walkie-talkie showing our new design;
FIG. 2 is a front elevational view thereof;
FIG. 3 is a rear elevational view thereof;
FIG. 4 is a left side elevational view thereof;
FIG. 5 is a right side elevational view thereof;
FIG. 6 is a top plan view thereof;
FIG. 7 is a bottom plan view thereof; and,
FIG. 8 is a rear side perspective view thereof.
The broken lines in the drawings depict portions of the toy walkie-talkie that form no part of the claimed design.

1 Claim, 8 Drawing Sheets

(56) **References Cited**

U.S. PATENT DOCUMENTS

D467,889 S *	12/2002	Cebe	D14/137
D490,064 S *	5/2004	Yi	D14/137
D497,887 S *	11/2004	Robertson, Jr.	D14/137
D677,230 S *	3/2013	Ooi	D14/137
D778,251 S *	2/2017	Nishizawa	D14/137
D816,632 S *	5/2018	Yamamoto	D14/137
D834,432 S *	11/2018	Wang	D10/78
D835,860 S *	12/2018	Li	D30/199
D889,424 S *	7/2020	Chen	D14/137
D891,385 S *	7/2020	Zhang	D14/137
D892,071 S *	8/2020	Zhang	D14/137
D892,757 S *	8/2020	Pang	D14/137
D917,411 S *	4/2021	Xiao	D14/137



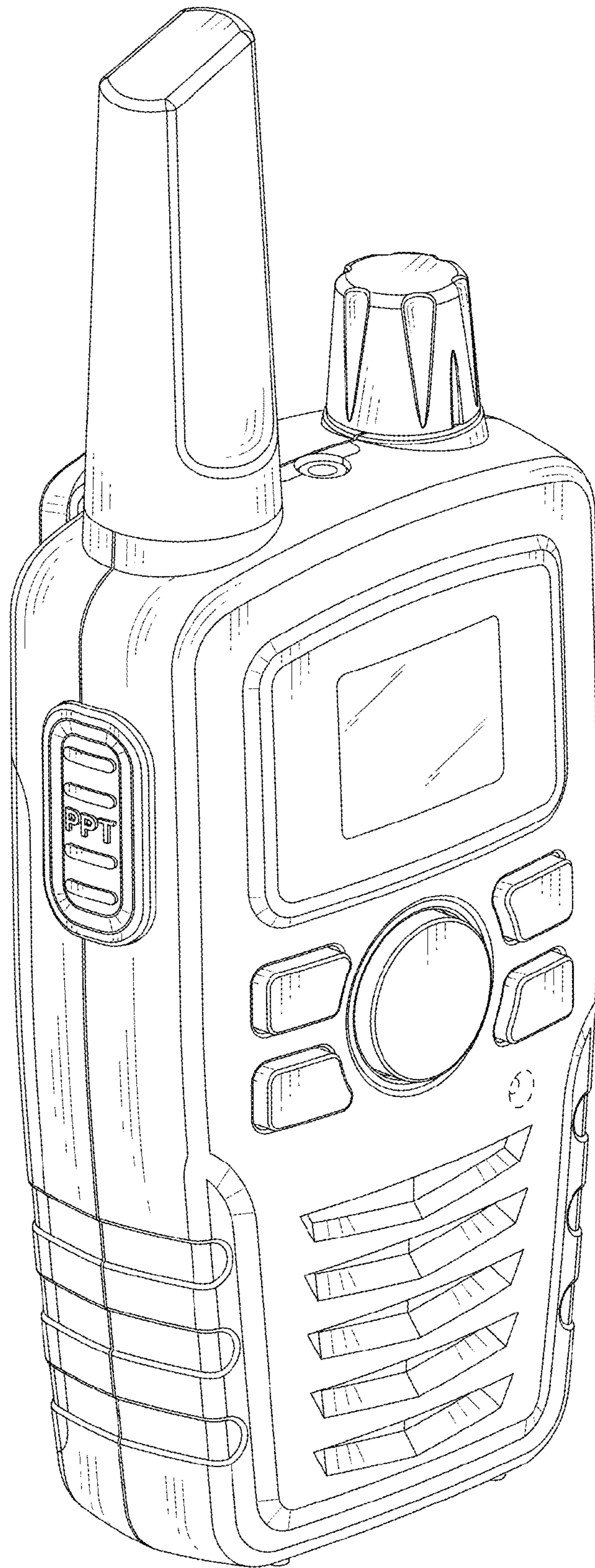


FIG. 1

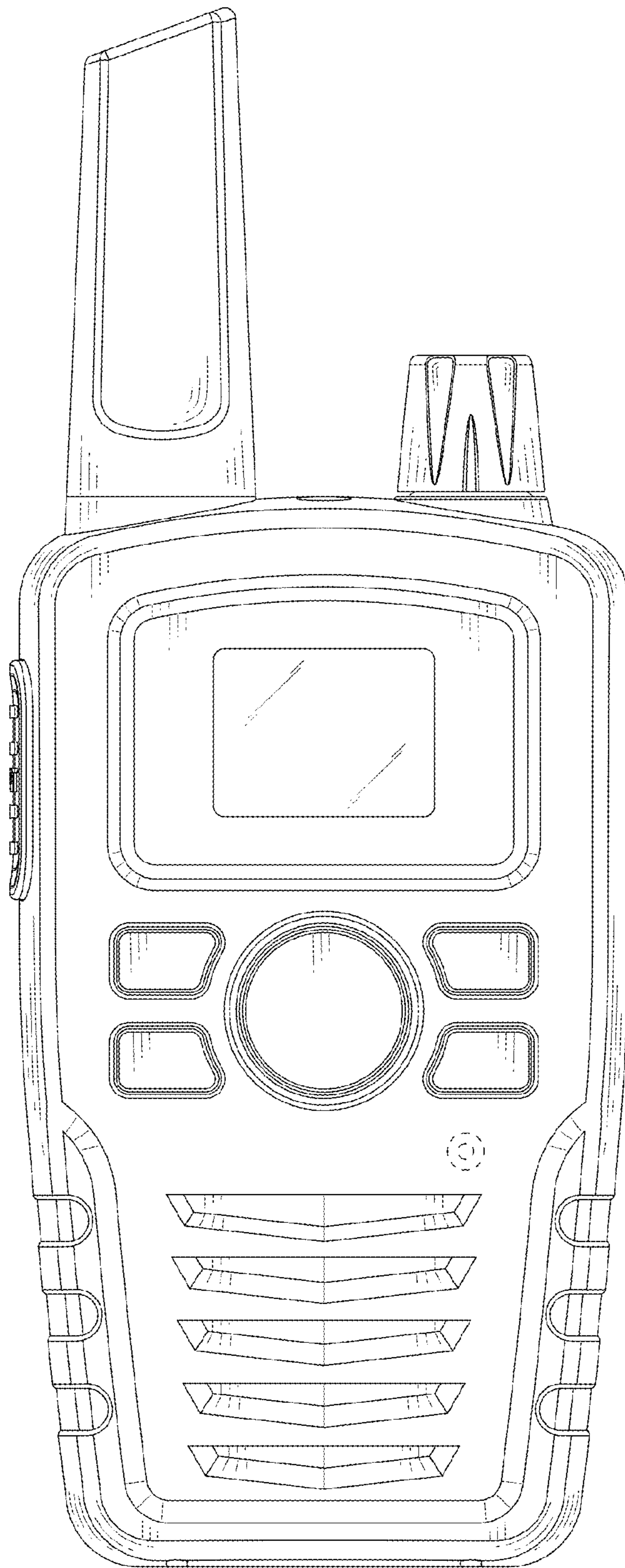


FIG. 2

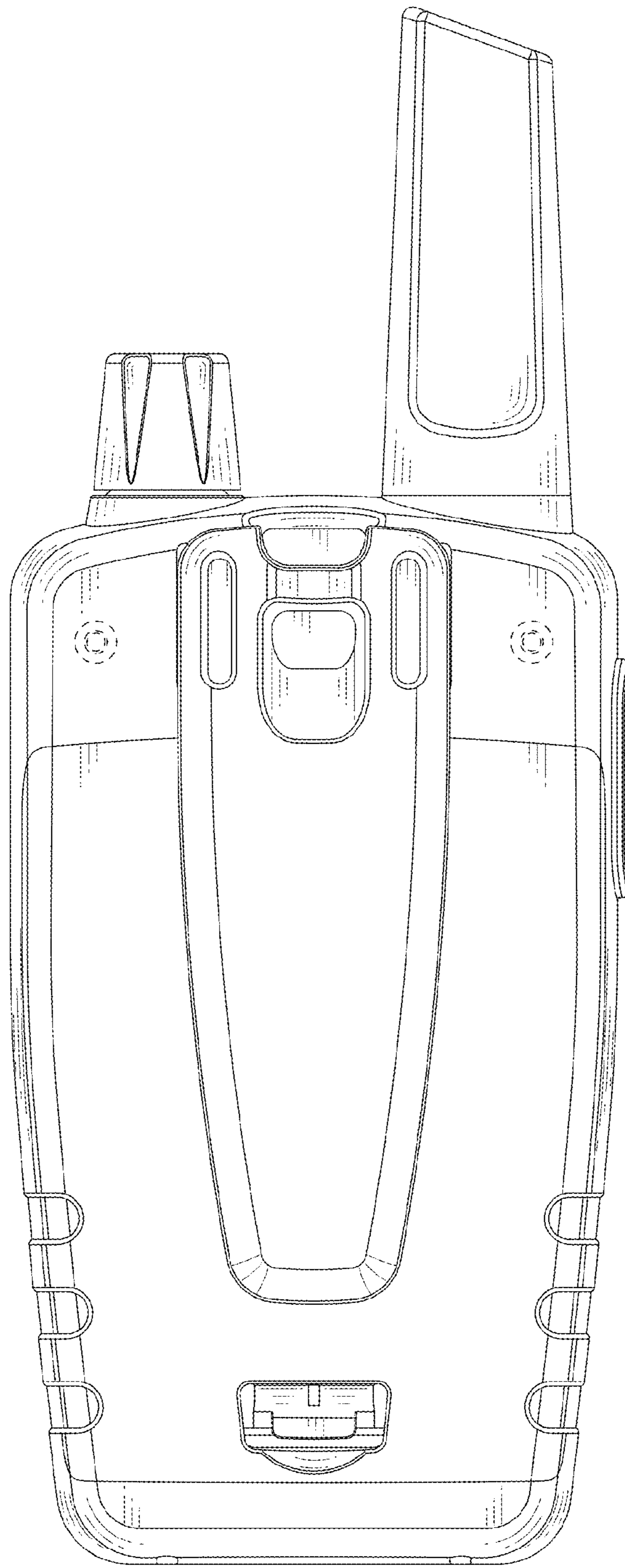


FIG. 3

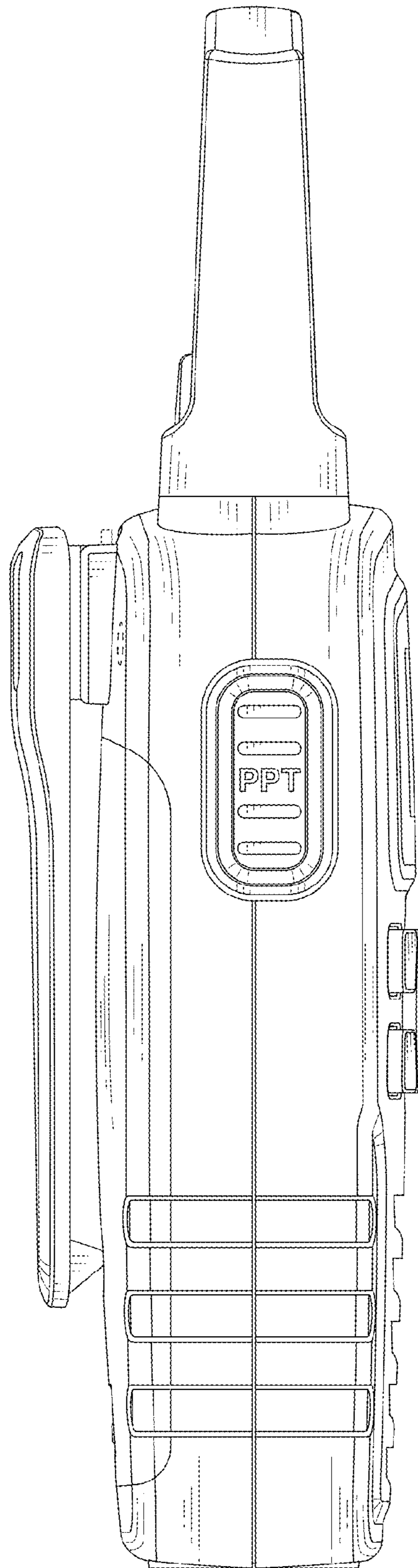


FIG. 4

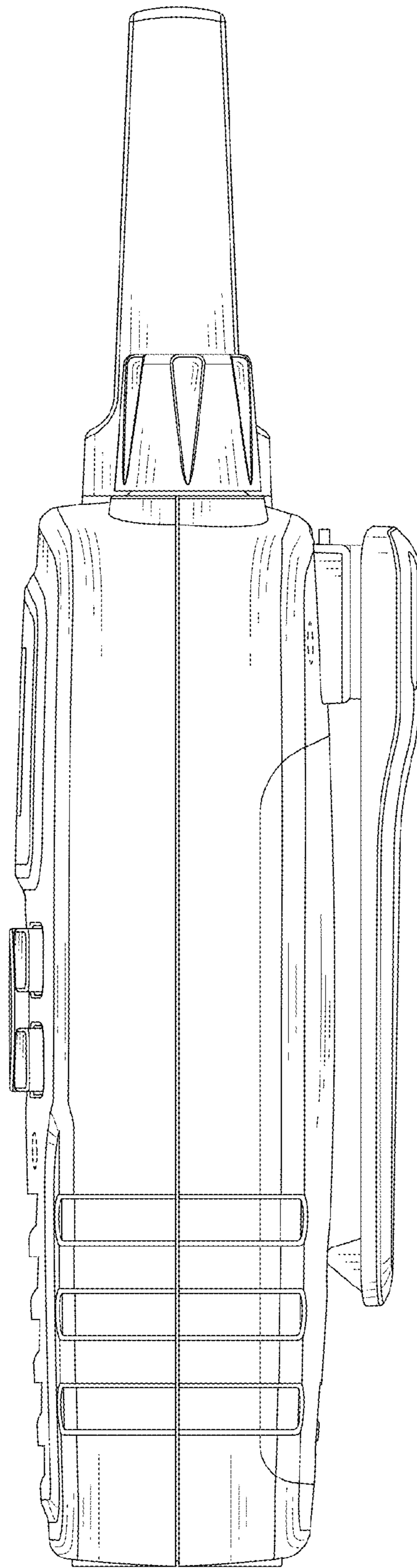


FIG. 5

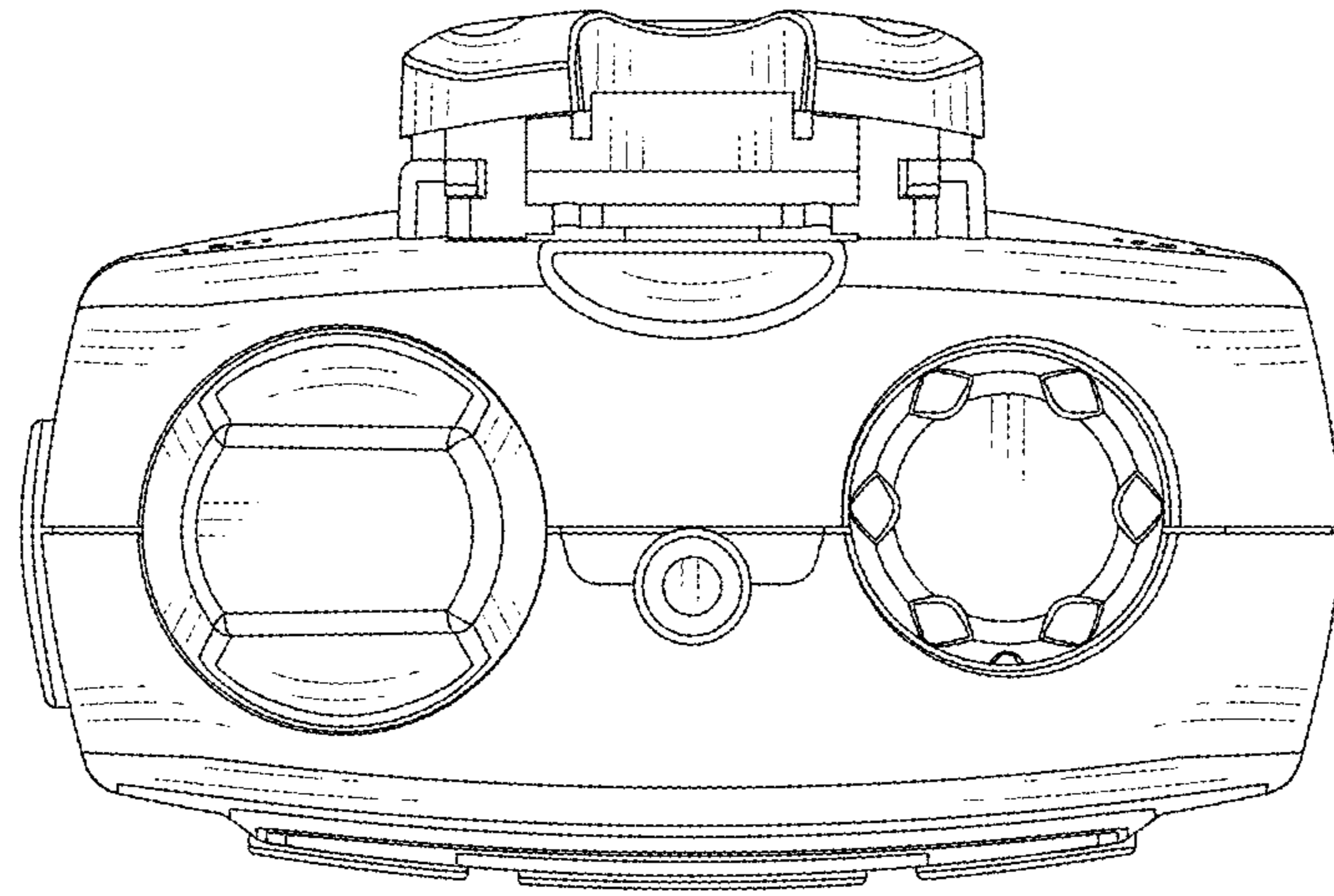


FIG. 6

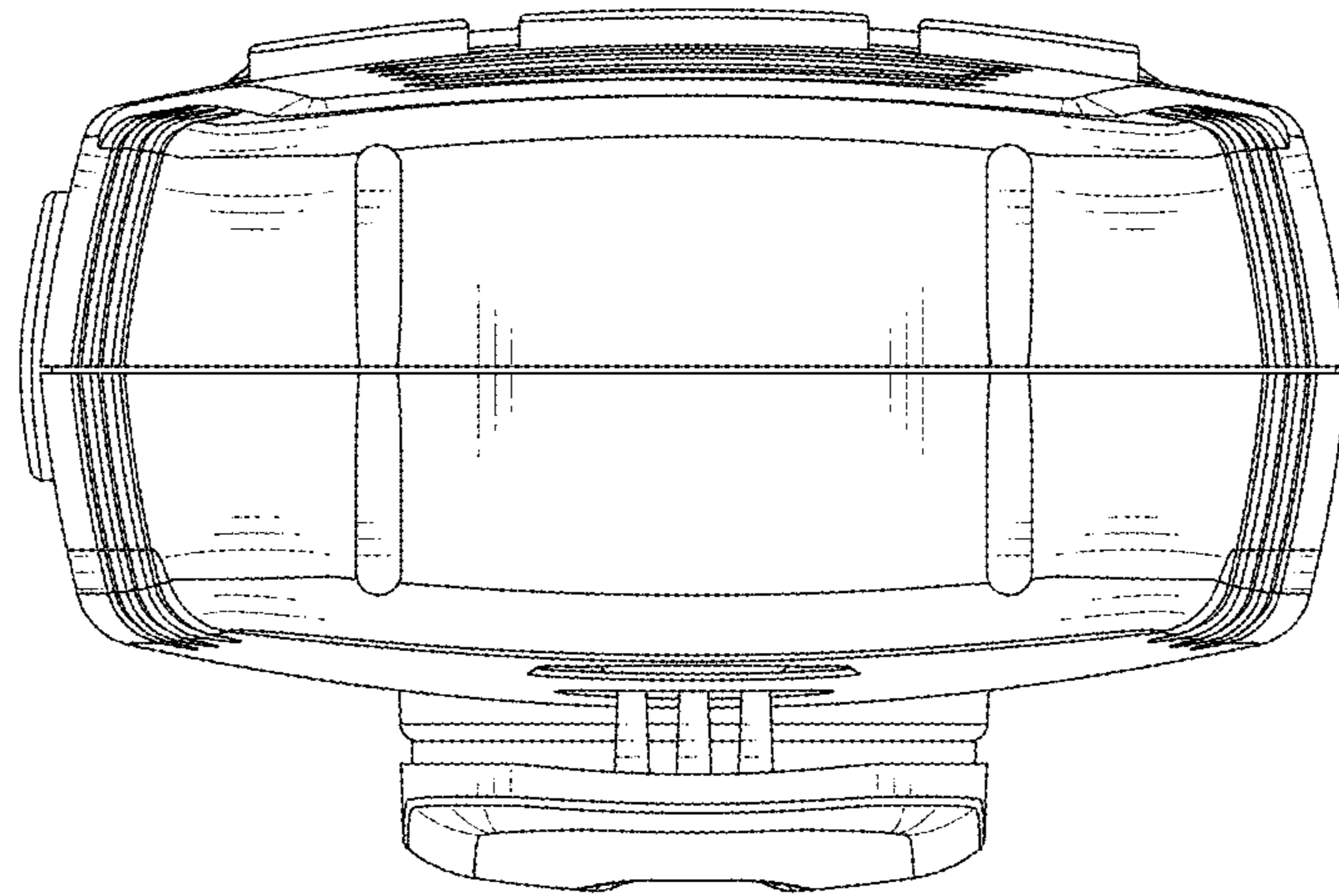


FIG. 7

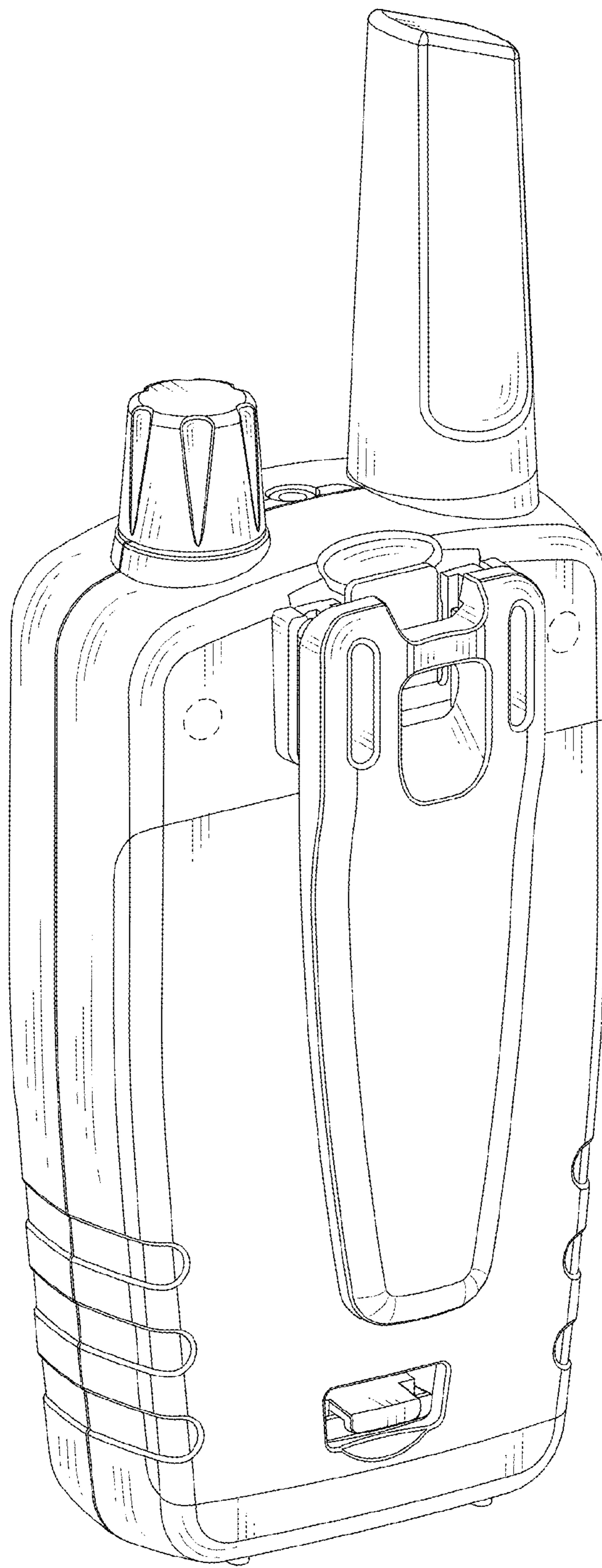


FIG. 8