

US00D968343S

(12) **United States Design Patent**  
**Zhao et al.**

(10) **Patent No.:** **US D968,343 S**  
(45) **Date of Patent:** **\*\* Nov. 1, 2022**

- (54) **FURNITURE CONTROLLER**
- (71) Applicant: **eMoMo Technology Co., Ltd.**, Baoan (CN)
- (72) Inventors: **Yushu Zhao**, Shenzhen (CN); **Jing Song**, Shenzhen (CN); **Wenji Tang**, Shenzhen (CN); **Zhigang Wang**, Qiyang (CN); **Ling Wang**, Shenzhen (CN); **Qishuang Lu**, Dengzhou (CN)
- (73) Assignee: **eMoMo Technology Co., Ltd.**, Shenzhen (CN)
- (\*\*) Term: **15 Years**
- (21) Appl. No.: **29/754,509**
- (22) Filed: **Oct. 12, 2020**
- (51) **LOC (13) Cl.** ..... **13-03**
- (52) **U.S. Cl.**  
USPC ..... **D13/174**
- (58) **Field of Classification Search**  
USPC ..... D13/162, 164, 171  
CPC ..... H01H 13/04; H01H 13/12; H01H 13/14;  
H01H 9/02; H01H 9/0235; H01H 9/16;  
H01H 9/18; H01H 9/181; H01H 9/182;  
H01H 2009/187  
See application file for complete search history.

(56) **References Cited**

**U.S. PATENT DOCUMENTS**

- 4,297,556 A \* 10/1981 Taylor ..... H01H 3/12  
200/330
- D720,305 S \* 12/2014 Wenji ..... D13/174
- D733,078 S \* 6/2015 Wu ..... D13/174
- D760,034 S \* 6/2016 Tang ..... D7/624.1
- 9,496,098 B1 \* 11/2016 Hammer ..... H01H 3/12
- D782,987 S \* 4/2017 Gassner ..... D13/171
- 9,804,632 B2 \* 10/2017 Gassner ..... G05G 1/00
- D818,973 S \* 5/2018 Tang ..... D13/171

- D828,309 S \* 9/2018 Tang ..... D13/171
- D832,800 S \* 11/2018 Li ..... D13/171
- D832,801 S \* 11/2018 Dorn ..... D13/174
- 10,998,148 B1 \* 5/2021 Worsham ..... H01H 9/182
- D930,600 S \* 9/2021 Zhuang ..... D13/171
- D952,584 S \* 5/2022 Wu ..... D13/171
- 2011/0198894 A1 \* 8/2011 Hsieh ..... A47C 1/0242  
297/68
- 2013/0306447 A1 \* 11/2013 Polak ..... H01H 25/06  
200/4
- 2014/0086674 A1 \* 3/2014 Tsugawa ..... H01H 13/04  
403/299

(Continued)

*Primary Examiner* — Selina Sikder

(74) *Attorney, Agent, or Firm* — Moyles IP, LLC

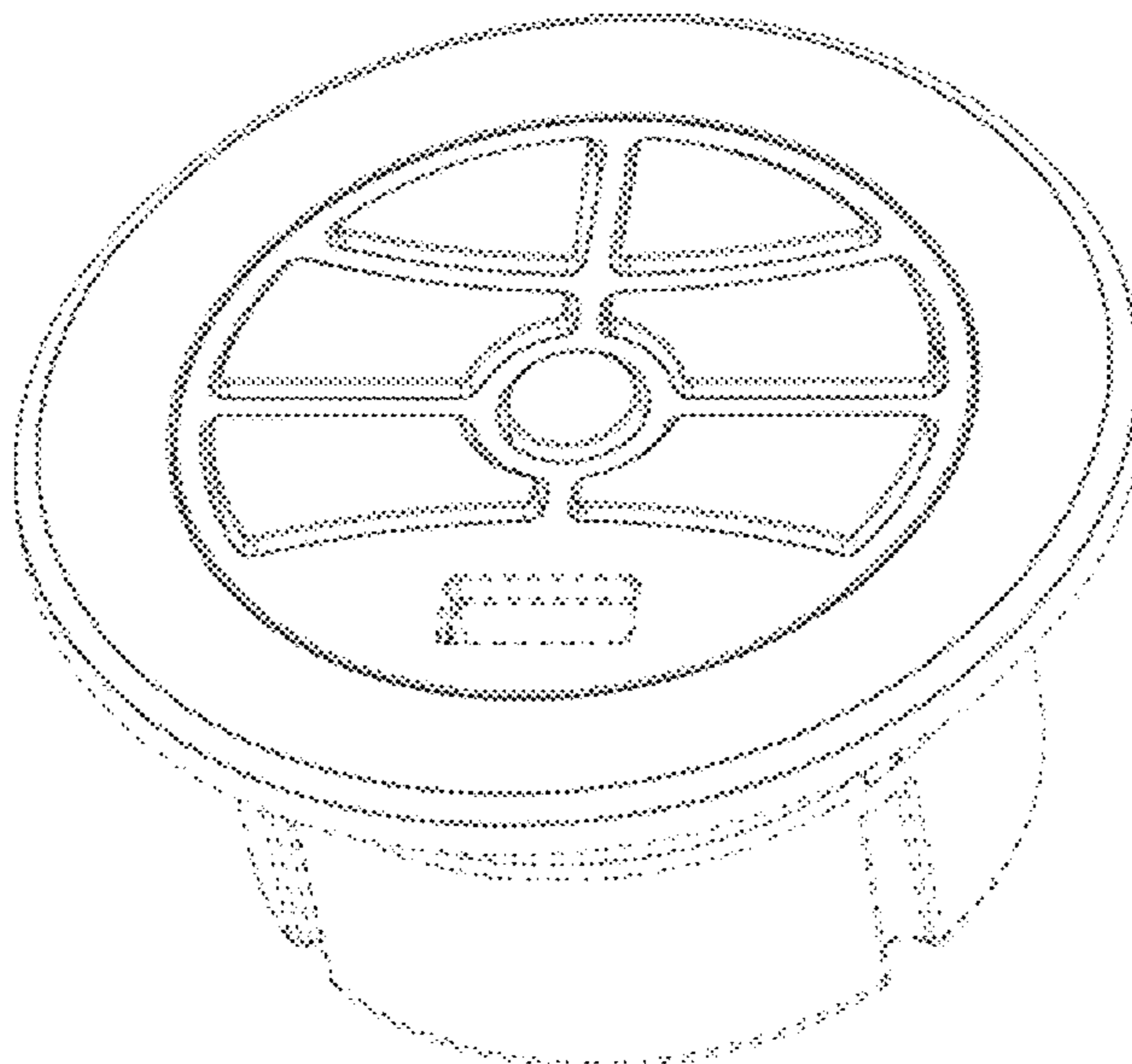
(57) **CLAIM**

We claim the ornamental design of a furniture controller, as shown and described.

**DESCRIPTION**

FIG. 1 is a front, bottom, right perspective view of a furniture controller, showing our new design;  
 FIG. 2 is a rear, top, right perspective view of the furniture controller of FIG. 1;  
 FIG. 3 is a front elevated view of the furniture controller of FIG. 1;  
 FIG. 4 is a rear elevated view of the furniture controller of FIG. 1;  
 FIG. 5 is a top plan view of the furniture controller of FIG. 1;  
 FIG. 6 is a bottom plan view of the furniture controller of FIG. 1;  
 FIG. 7 is a right side elevated view of the furniture controller of FIG. 1; and,  
 FIG. 8 is a left side elevated view of the furniture controller of FIG. 1.  
 The broken lines in the drawings depict features that form no part of the claimed design.

**1 Claim, 8 Drawing Sheets**



(56)

**References Cited**

U.S. PATENT DOCUMENTS

2014/0353134 A1\* 12/2014 Muller ..... H01H 3/46  
200/5 A  
2015/0214606 A1\* 7/2015 Sano ..... H01Q 1/2216  
343/721  
2019/0080867 A1\* 3/2019 Gassner ..... H01H 23/04  
2019/0088422 A1\* 3/2019 Thizon ..... F16J 15/064  
2019/0157022 A1\* 5/2019 Geng ..... A63F 13/24

\* cited by examiner

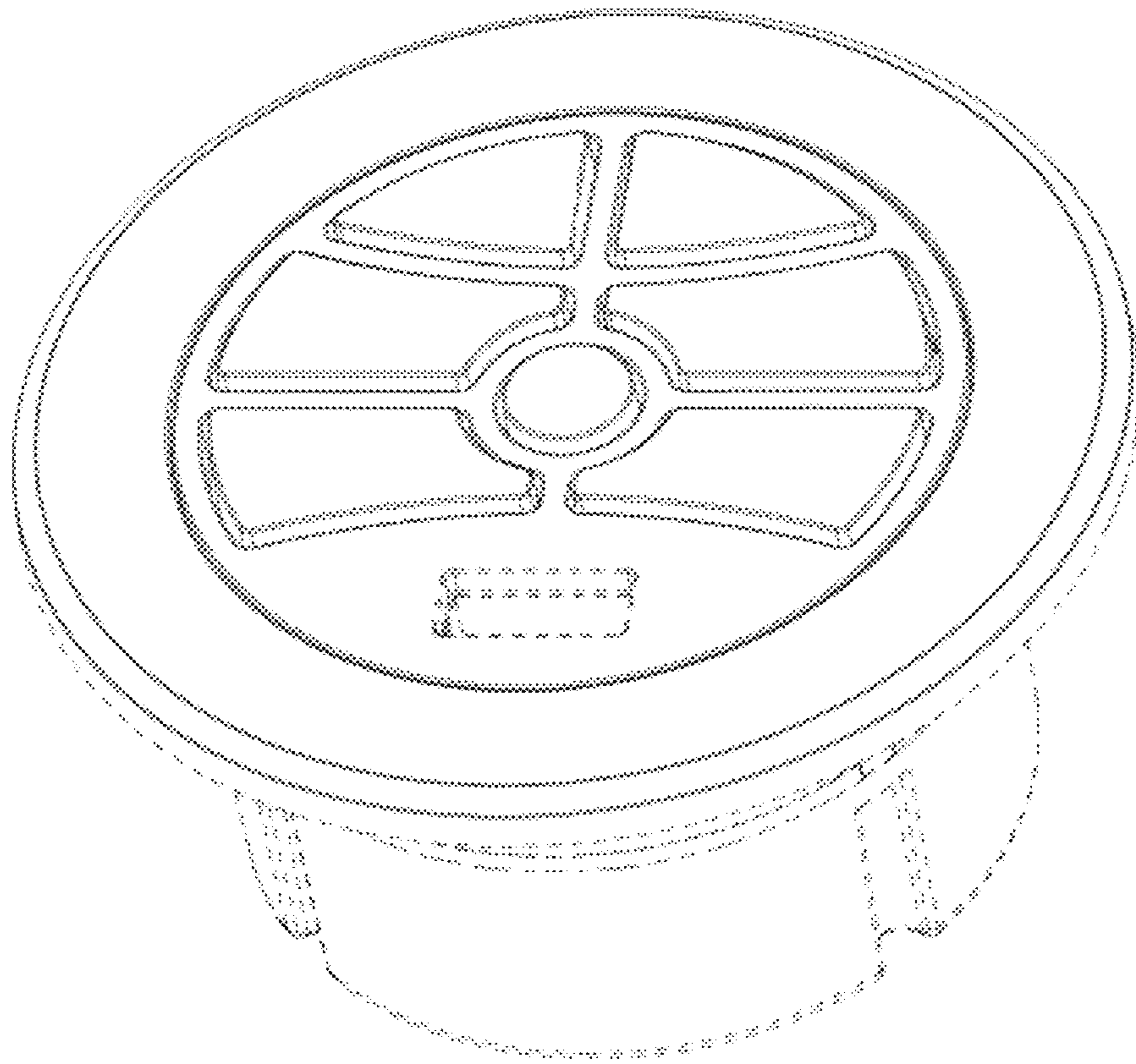


FIG. 1

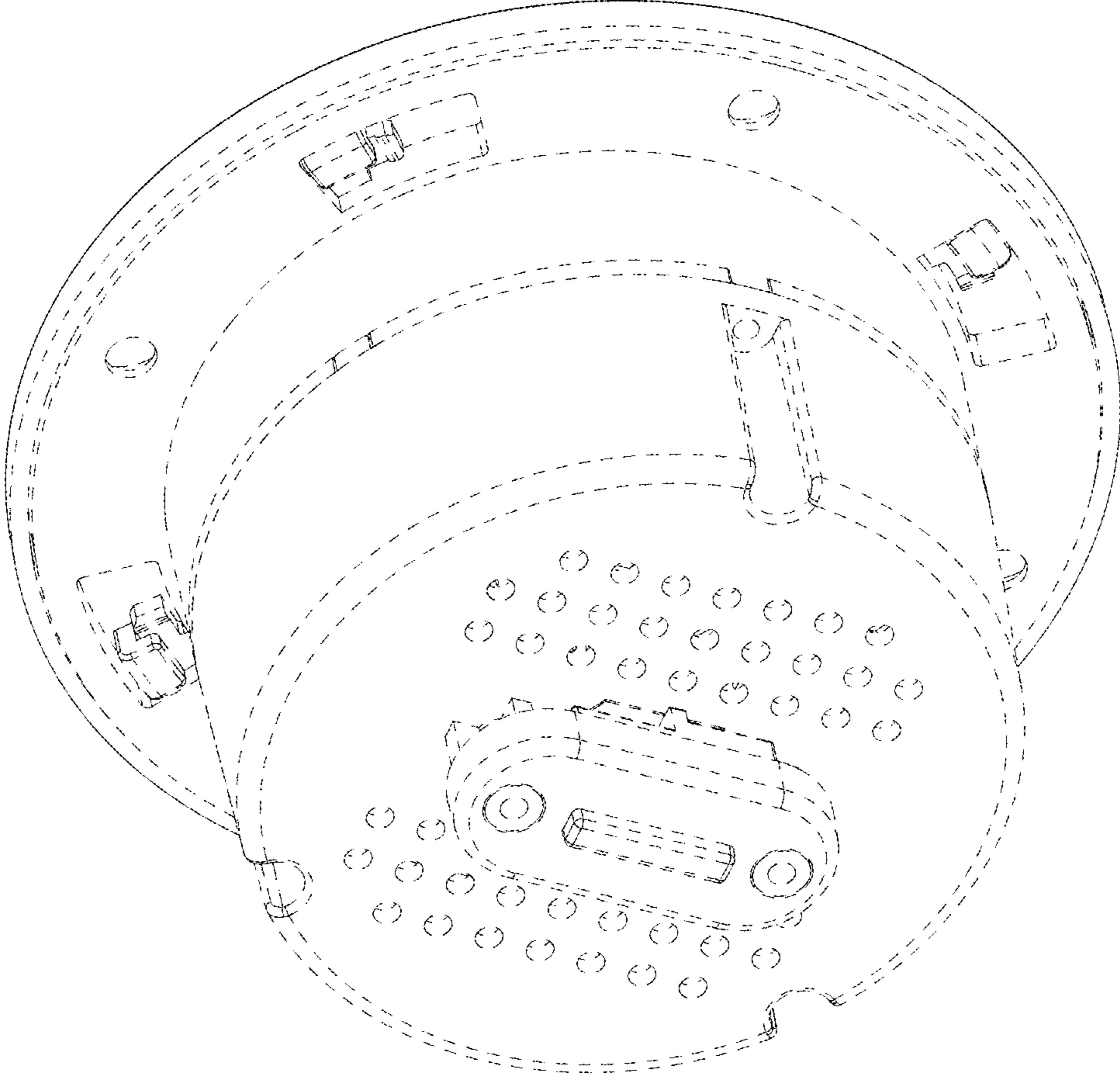


FIG. 2

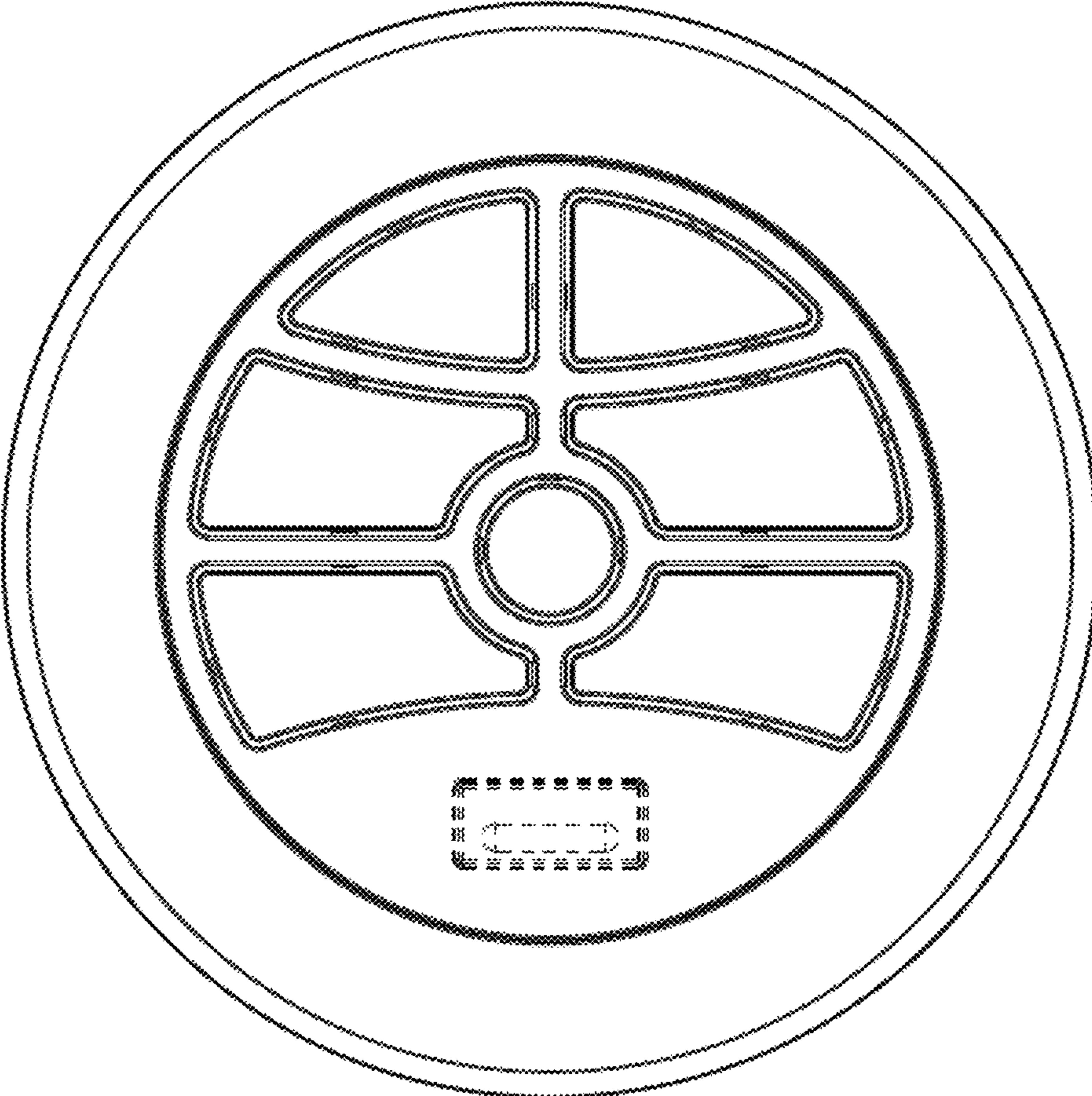


FIG. 3

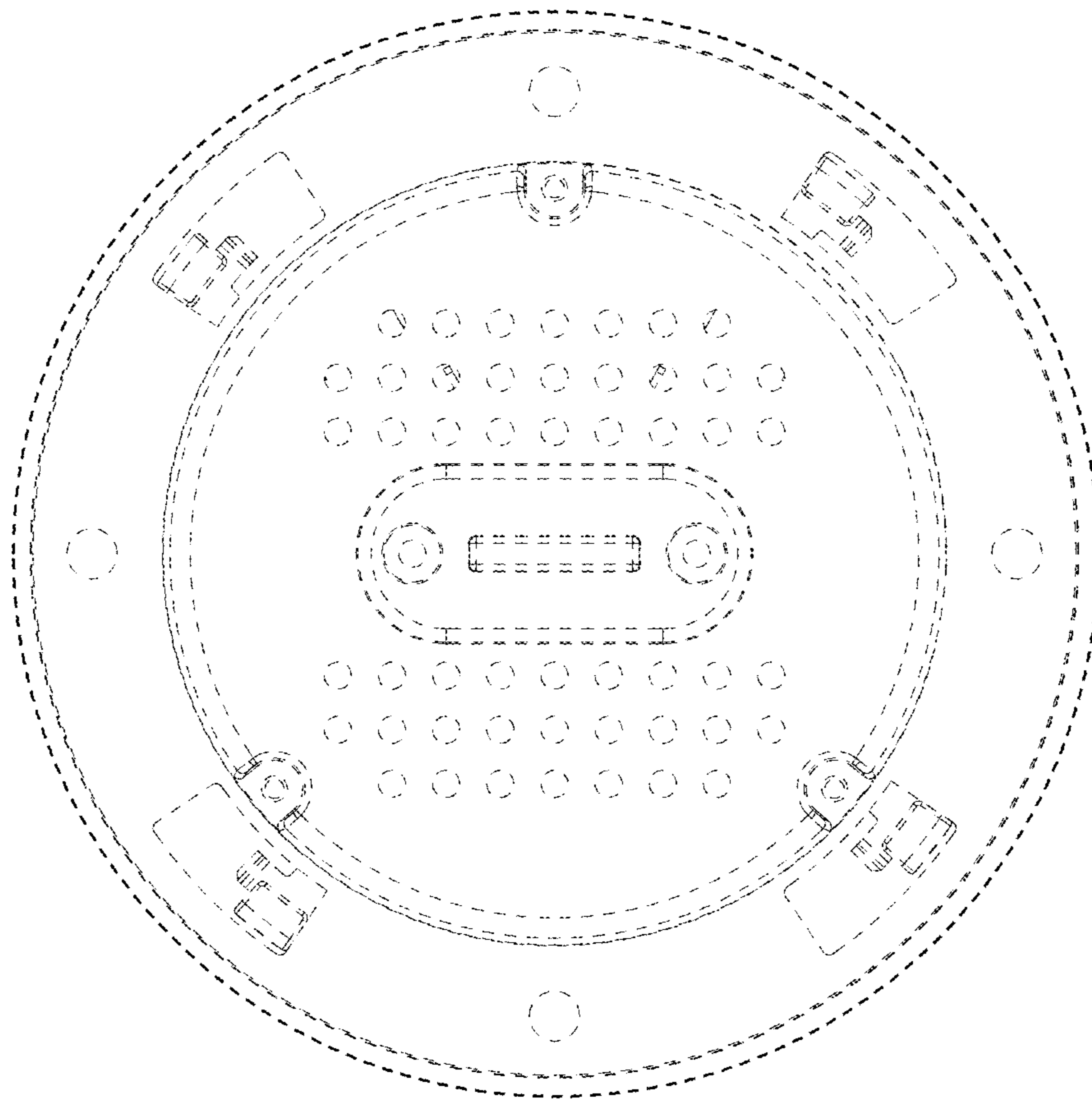


FIG. 4

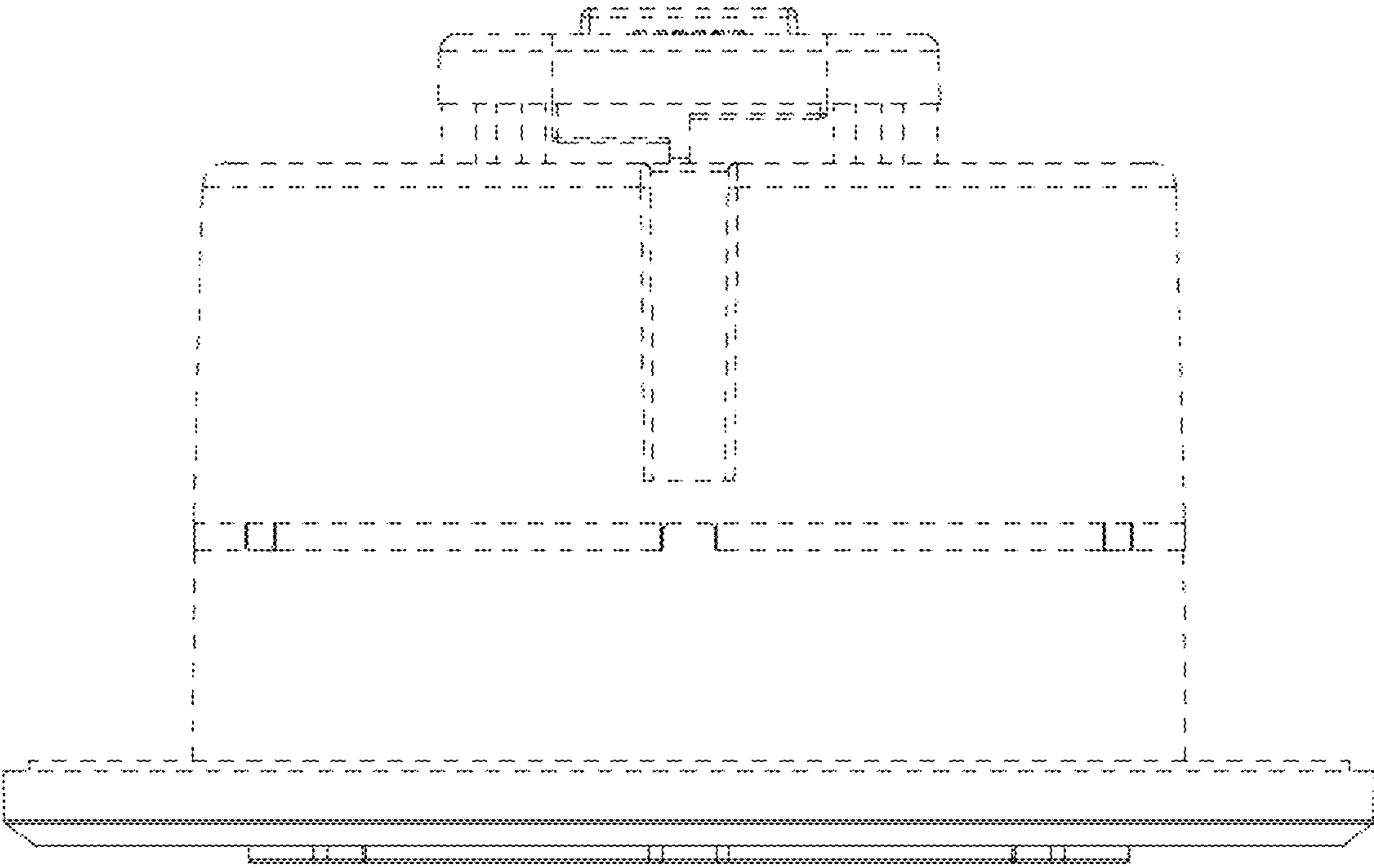


FIG. 5

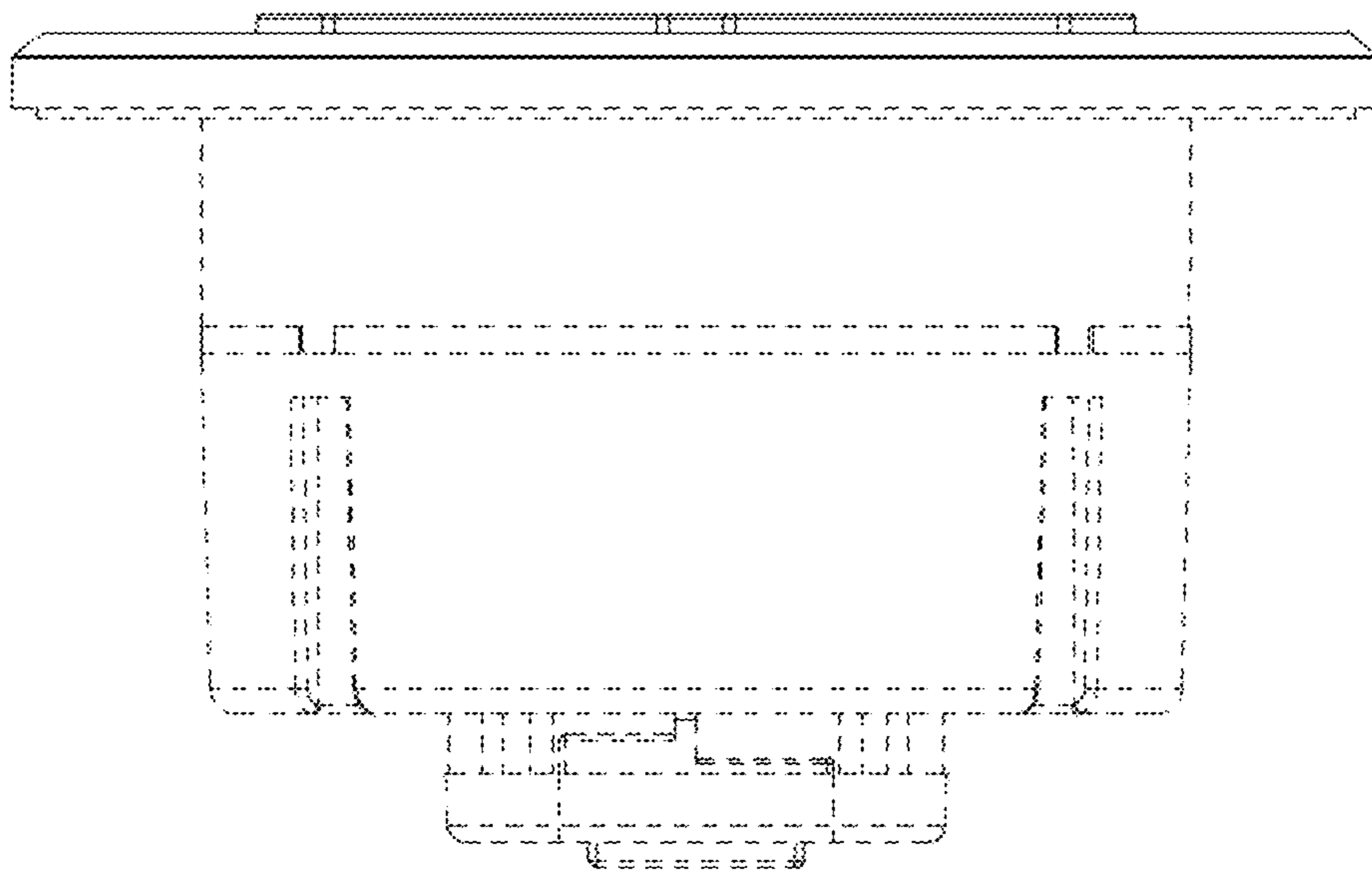


FIG. 6



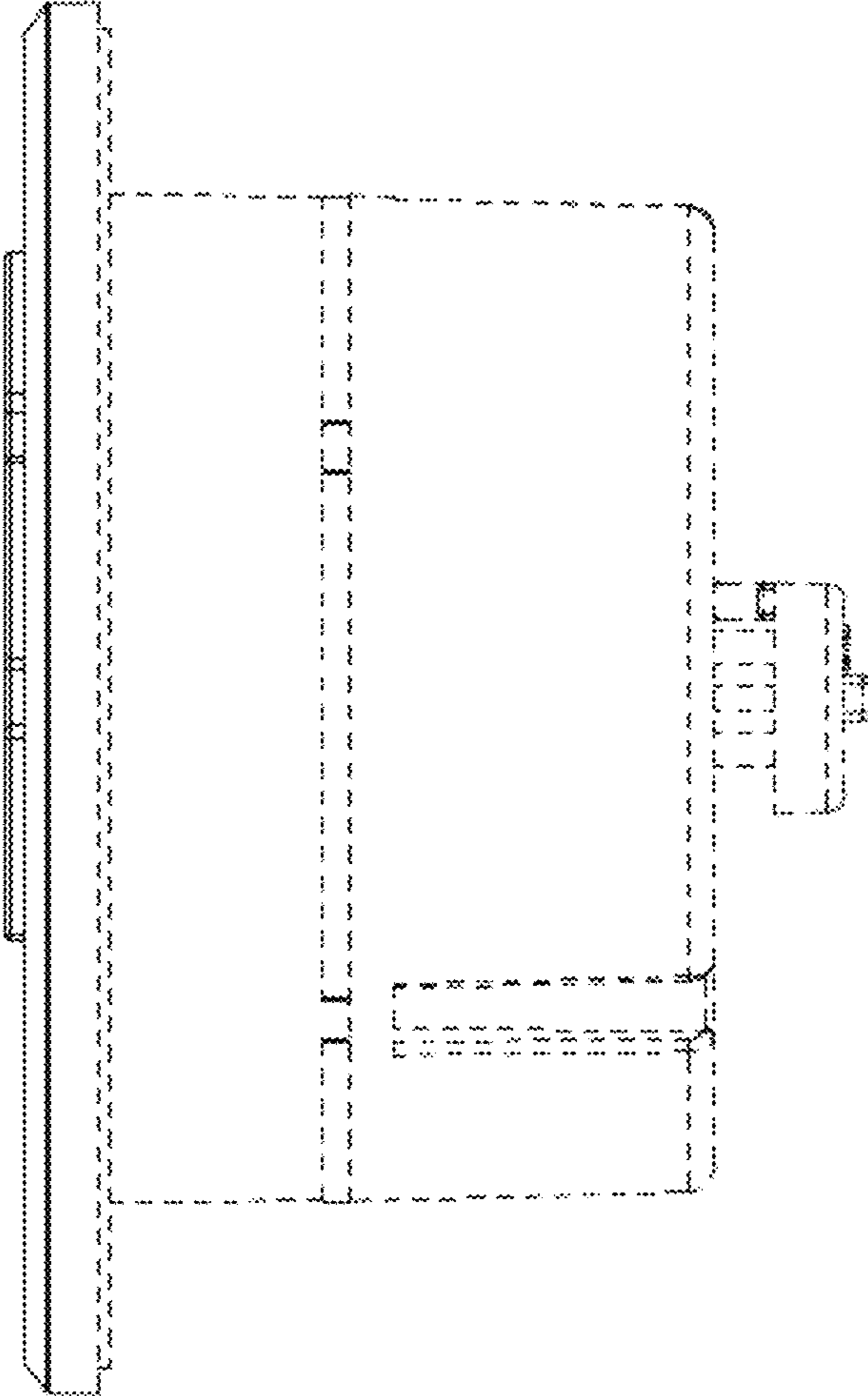


FIG. 7

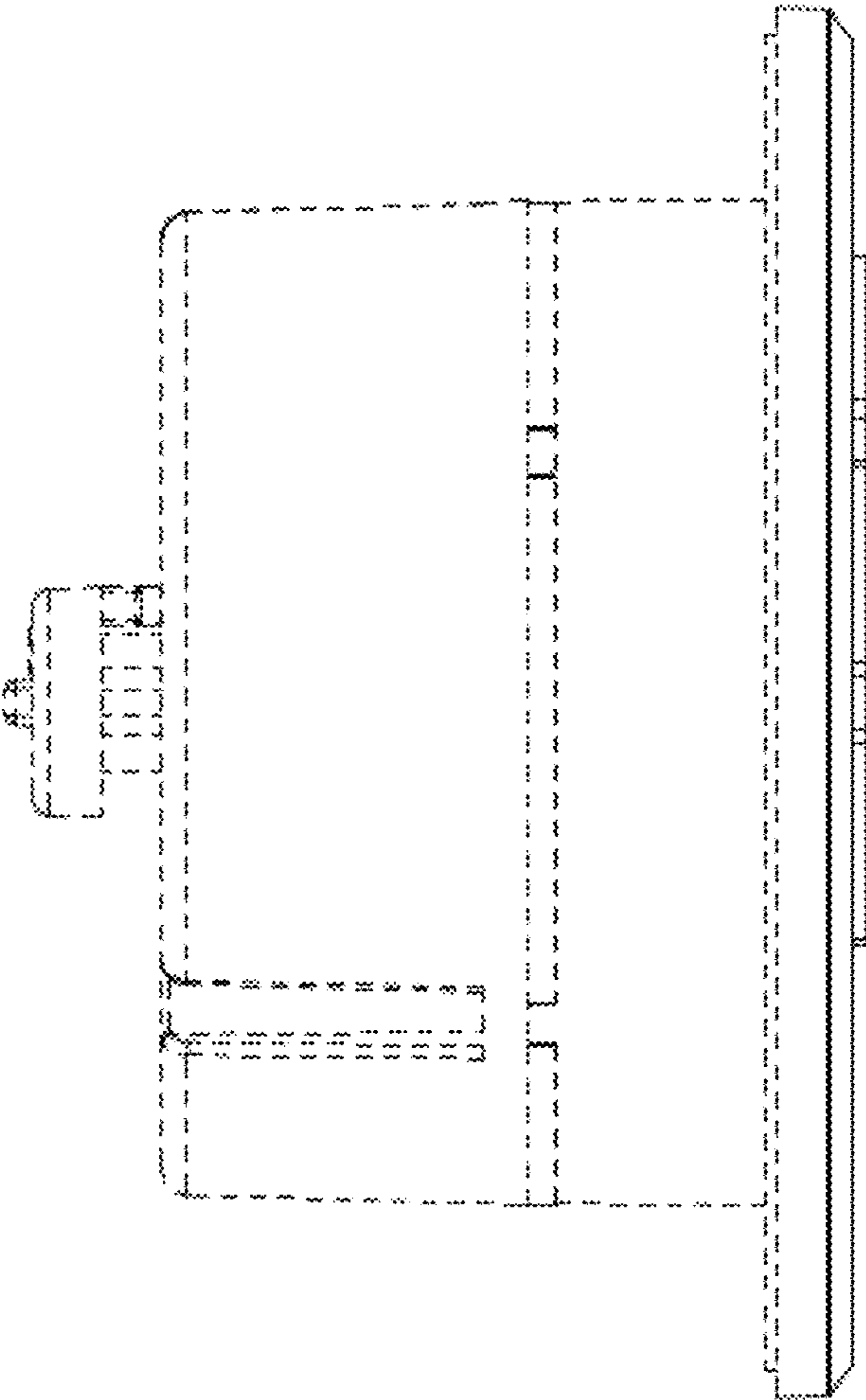


FIG. 8