



US00D968342S

(12) **United States Design Patent**
Medea et al.

(10) **Patent No.:** **US D968,342 S**

(45) **Date of Patent:** **** Nov. 1, 2022**

(54) **VISUAL LOAD BREAK SWITCH BLADE STATUS INDICATOR**

(71) Applicant: **Hitachi Energy Switzerland AG**,
Baden (CH)

(72) Inventors: **Francesco Medea**, Sant’elena (IT);
Carlo Camporeale, Padua (IT); **Georgi Manev**, Sofia (BG); **Borislav Vasilev**,
Sofia (BG)

(73) Assignee: **Hitachi Energy Switzerland AG**,
Baden (CH)

(**) Term: **15 Years**

(21) Appl. No.: **29/745,844**

(22) Filed: **Aug. 10, 2020**

(30) **Foreign Application Priority Data**

Feb. 10, 2020 (EM) 007685086-0001

(51) **LOC (13) Cl.** **13-03**

(52) **U.S. Cl.**
USPC **D13/173**

(58) **Field of Classification Search**
USPC D13/158, 173, 178, 199
CPC H01H 31/02; H01H 31/023; H01H 31/026;
H01H 31/28; H01H 31/30; H01H 63/04;
H01H 2239/05; H01R 3/00; H01R 13/53
See application file for complete search history.

(56) **References Cited**

U.S. PATENT DOCUMENTS

D284,853 S * 7/1986 Djurinec D13/161
D357,669 S * 4/1995 Stack D13/160

D721,045 S * 1/2015 Gratz D13/173
D733,068 S * 6/2015 Johnson D13/156
D738,326 S * 9/2015 Bulla D13/173
D738,327 S * 9/2015 Bulla D13/173
9,666,393 B1 * 5/2017 Kowalik H01H 31/30
10,109,443 B2 * 10/2018 Keller H01H 71/08
D836,564 S * 12/2018 Kulik D13/158
D865,686 S * 11/2019 Wallace D13/177
2015/0101915 A1 * 4/2015 Rostron H01H 31/16
200/48 A
2019/0018064 A1 * 1/2019 Rostron G01R 31/3272

* cited by examiner

Primary Examiner — Selina Sikder

(74) *Attorney, Agent, or Firm* — Sage Patent Group

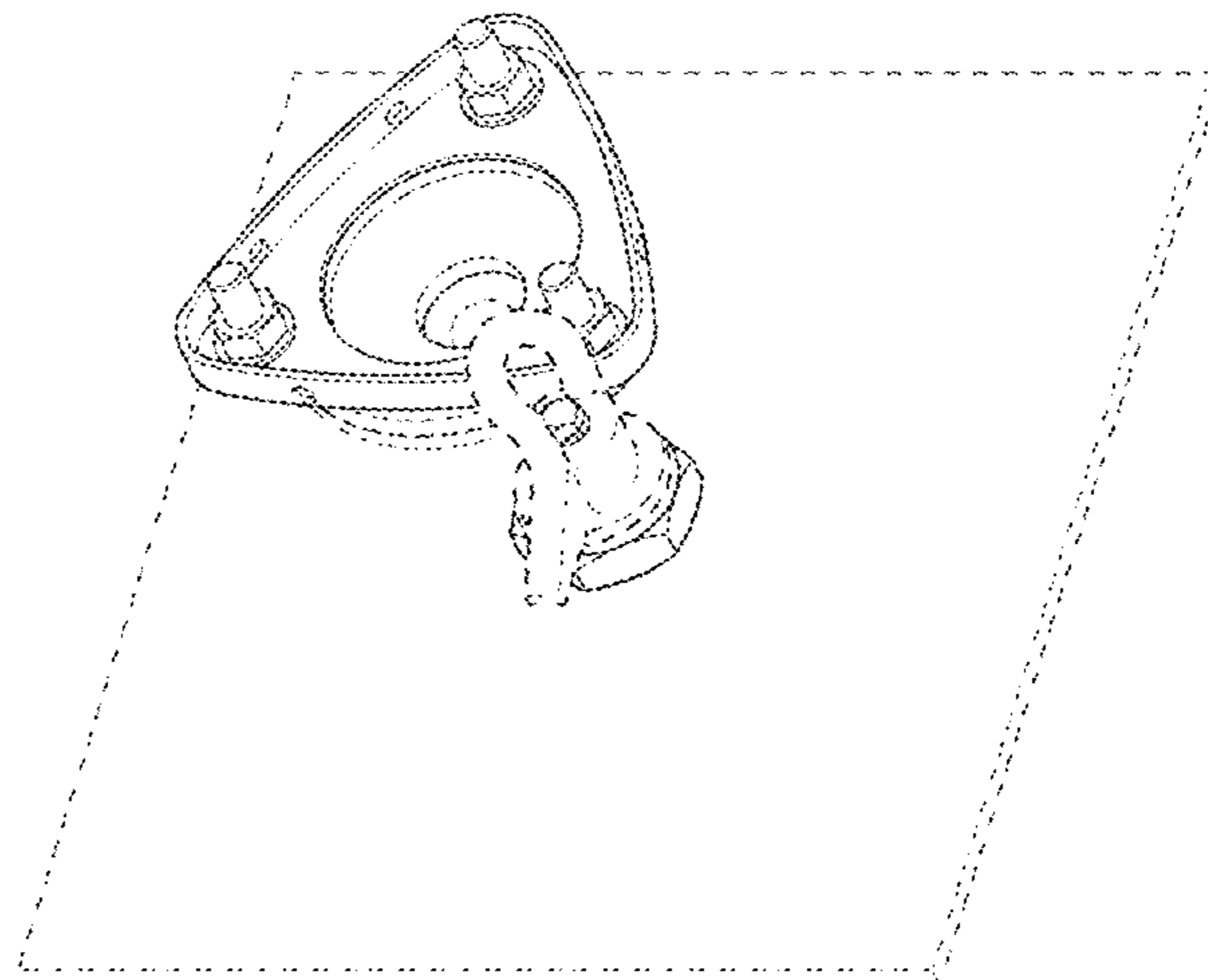
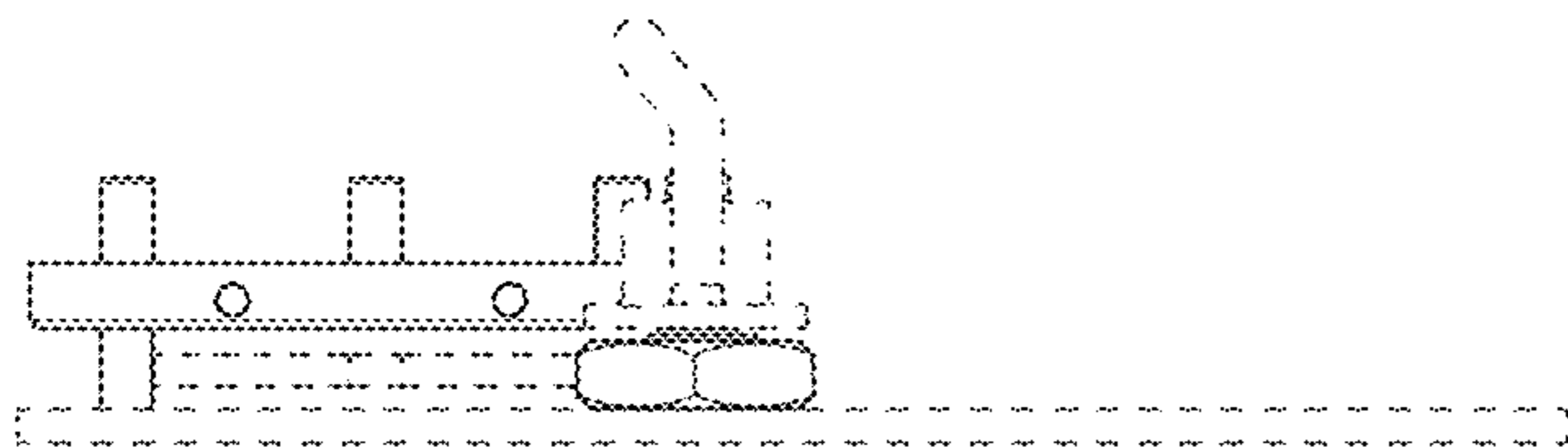
(57) **CLAIM**

The ornamental design for a visual load break switch blade status indicator, as shown and described.

DESCRIPTION

FIG. 1 is a top view of a visual load break switch blade status indicator showing our new design;
FIG. 2 is a front view thereof;
FIG. 3 is a right view thereof;
FIG. 4 is a left view thereof;
FIG. 5 is a rear view thereof;
FIG. 6 is a front isometric view thereof; and,
FIG. 7 is a rear isometric view thereof.
Dashed (broken) lines represent structure or features that form no part of the claimed design.

1 Claim, 7 Drawing Sheets



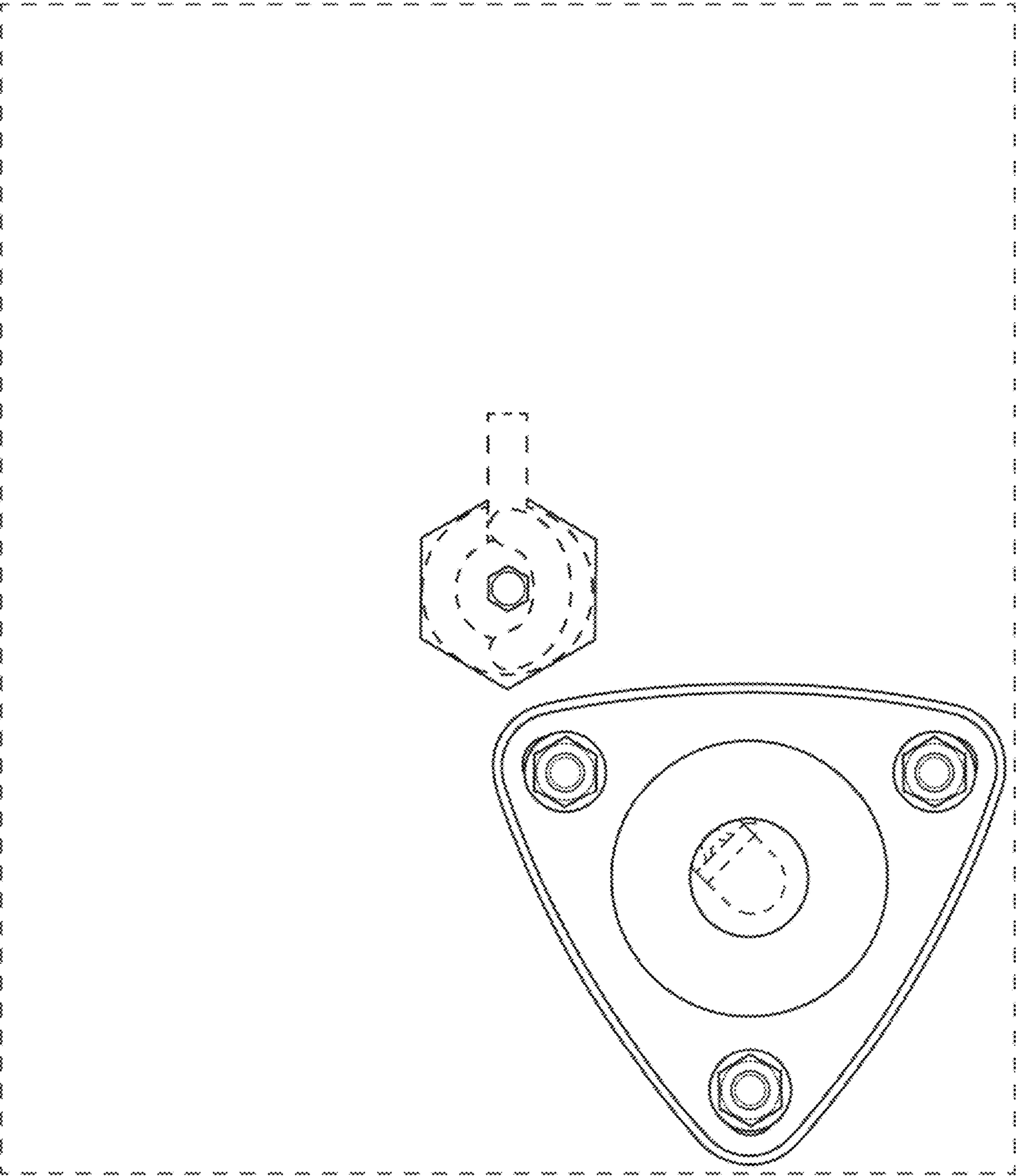


FIGURE 1

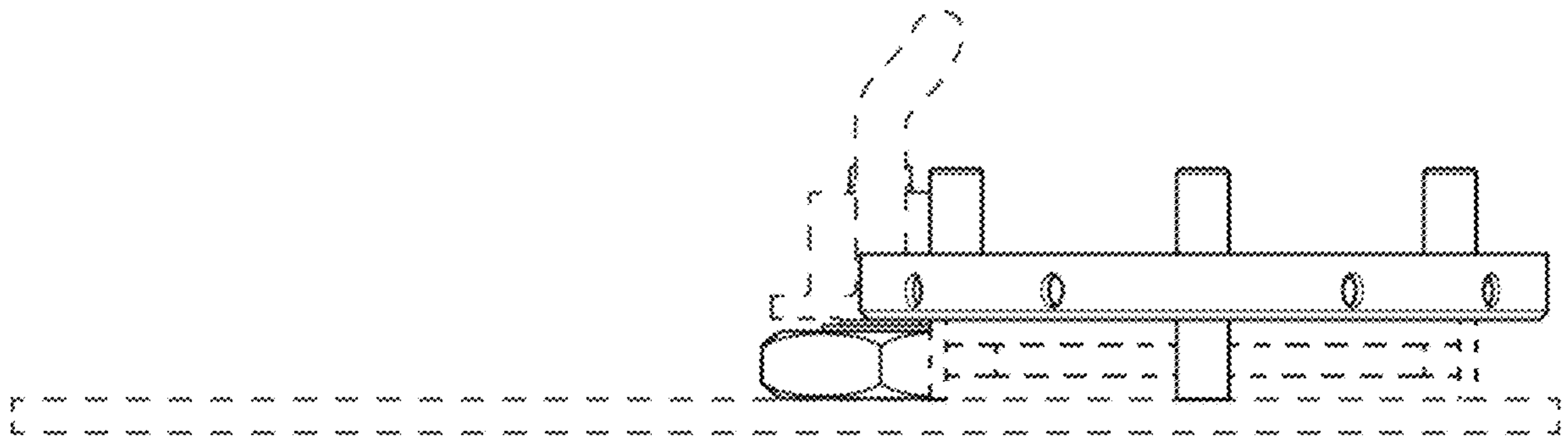


FIGURE 2

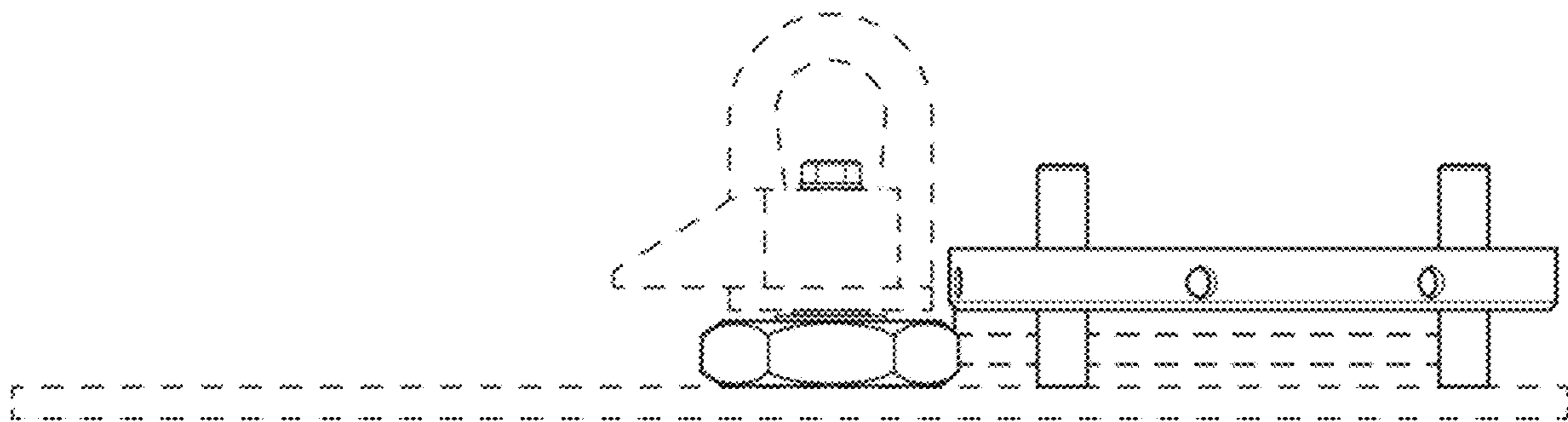


FIGURE 3

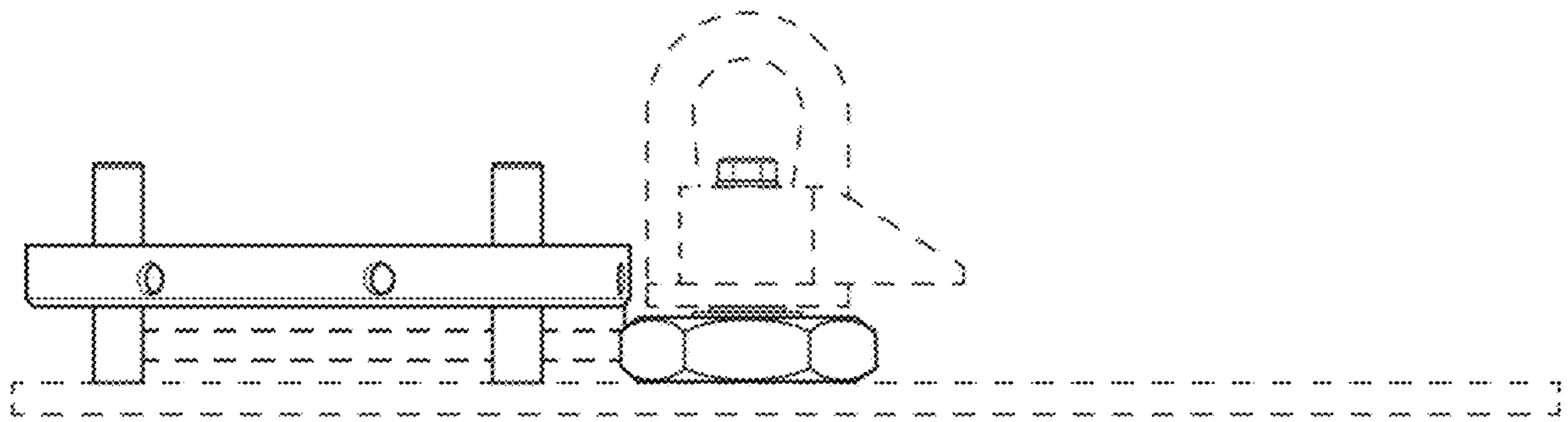


FIGURE 4

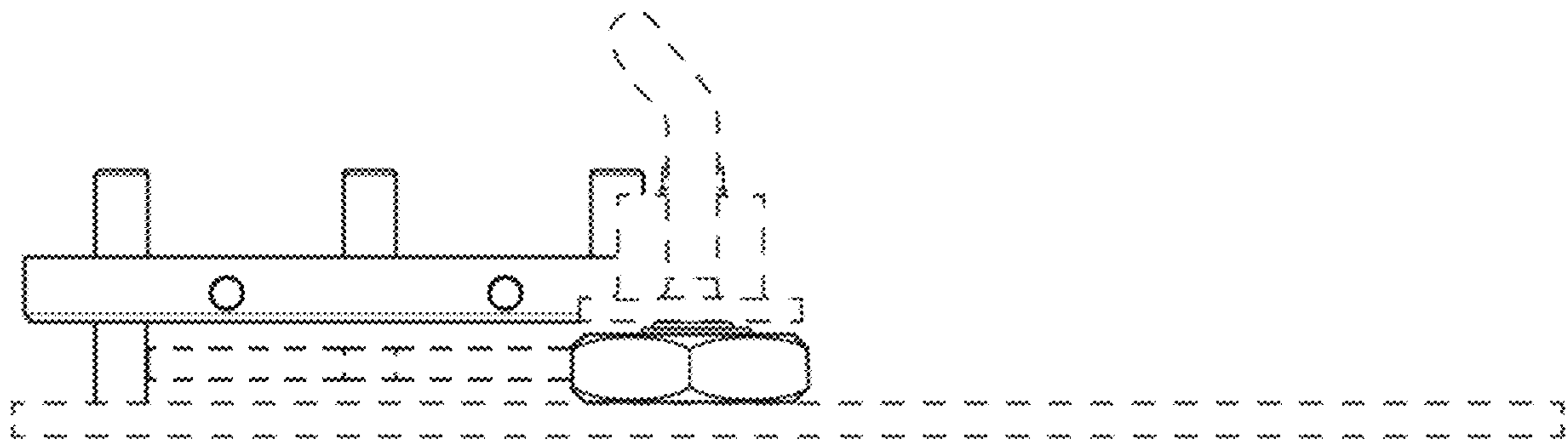


FIGURE 5

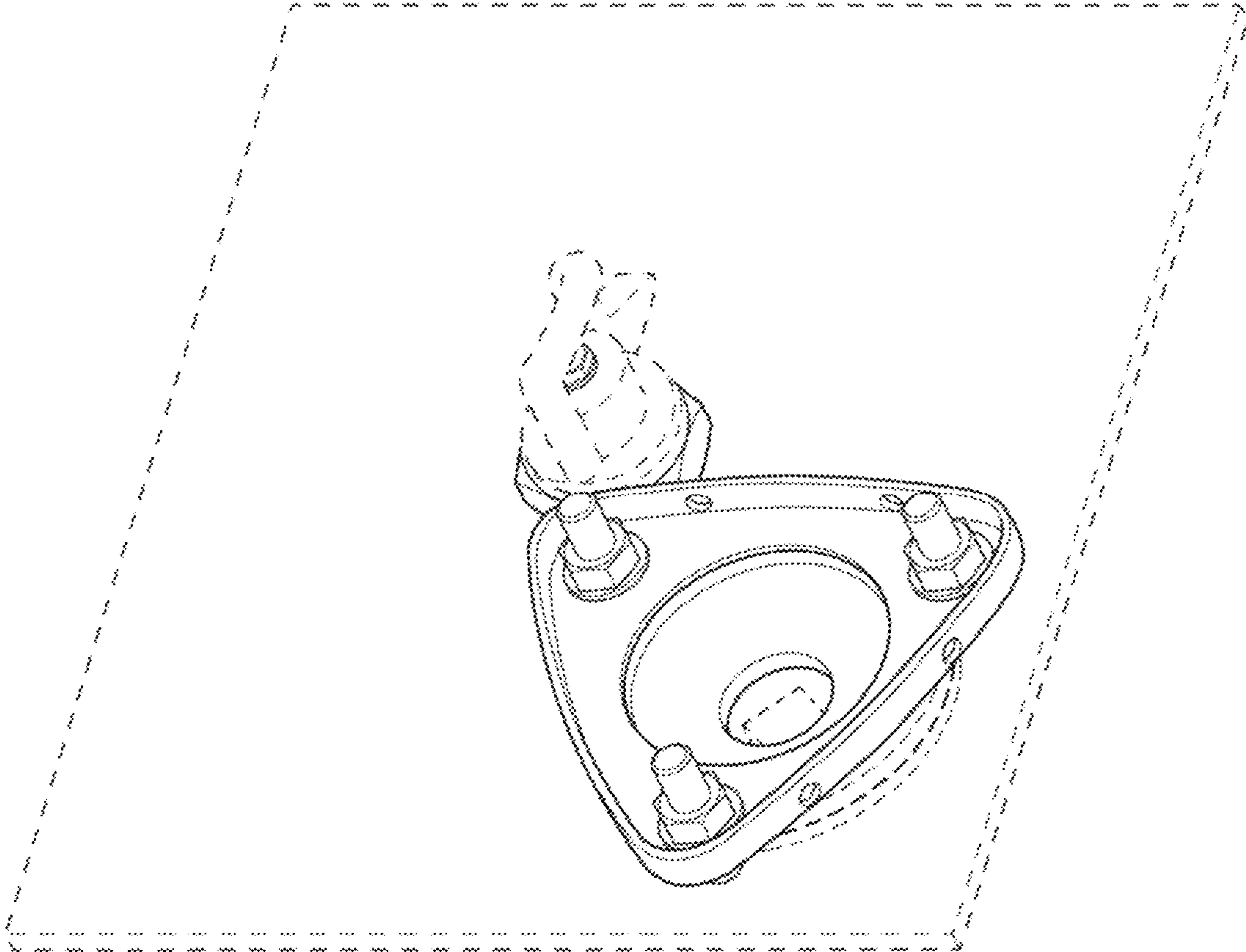


FIGURE 6

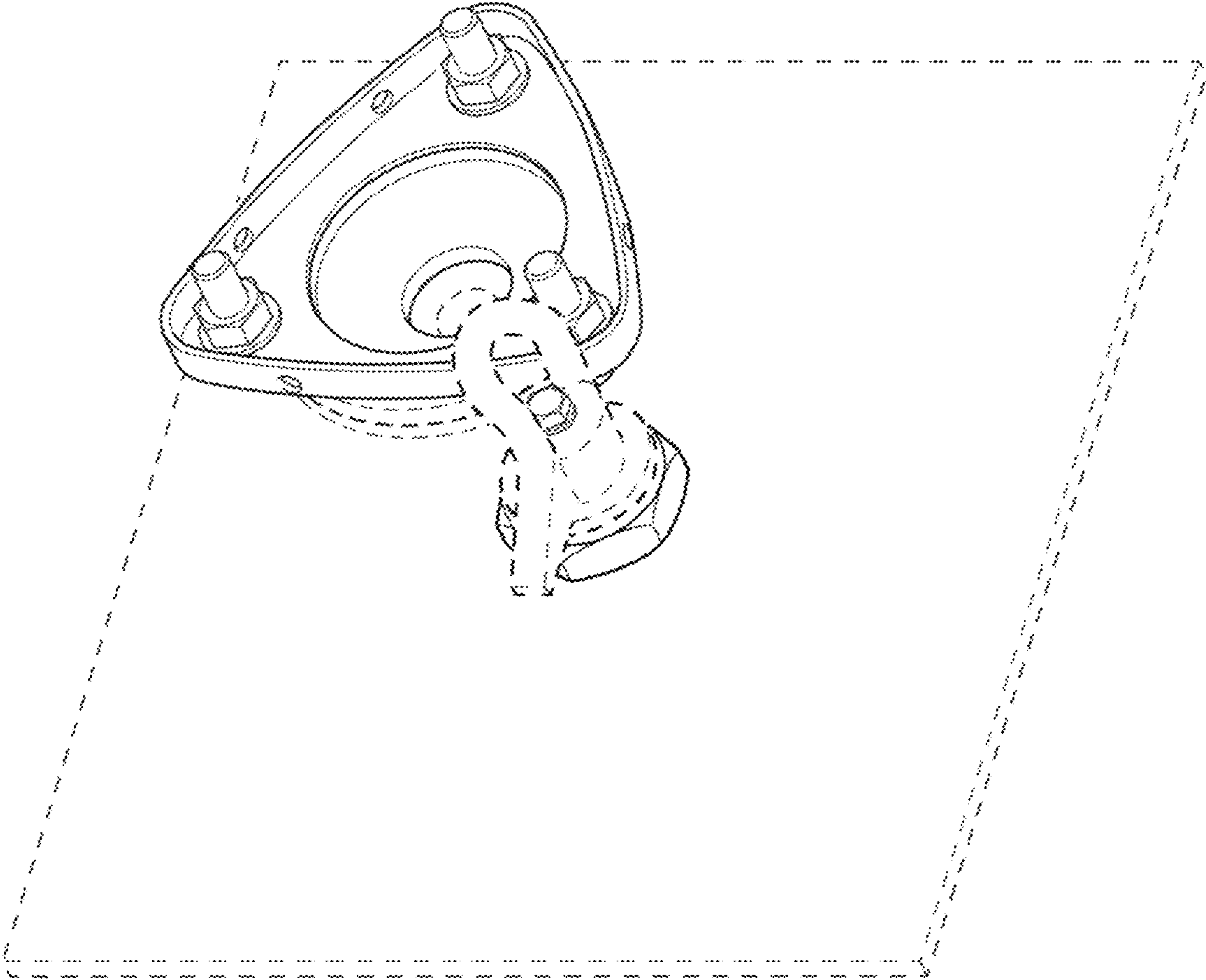


FIGURE 7