

US00D968338S

(12) **United States Design Patent** (10) **Patent No.:** **US D968,338 S**
Walker et al. (45) **Date of Patent:** **** *Nov. 1, 2022**

(54) **TERMINAL BOARD**

(71) Applicant: **Cummins Generator Technologies Limited, Peterborough (GB)**

(72) Inventors: **Jack Walker, Peterborough (GB); Sorin Ilie, Peterborough (GB); Sridhar Narayanan, Peterborough (GB); Marko Vucenovic, Peterborough (GB); Haider Ali Abbas, Peterborough (GB)**

(73) Assignee: **Cummins Generator Technologies Limited, Peterborough (GB)**

(*) Notice: This patent is subject to a terminal disclaimer.

(**) Term: **15 Years**

(21) Appl. No.: **29/695,208**

(22) Filed: **Jun. 17, 2019**

(30) **Foreign Application Priority Data**

Dec. 20, 2018 (EM) 005940764-0001

(51) **LOC (13) Cl.** **13-03**

(52) **U.S. Cl.**
USPC **D13/155**

(58) **Field of Classification Search**
USPC D13/110, 156, 133, 155, 184, 154, 162, D13/152, 118, 120
CPC H02G 3/081; H02G 3/126
See application file for complete search history.

(56) **References Cited**

U.S. PATENT DOCUMENTS

D264,963 S * 6/1982 McComas D13/182
4,924,213 A * 5/1990 Decho G08B 5/36
340/639

D344,066 S * 2/1994 Cesaro D13/147
5,989,073 A * 11/1999 Kahoun H01R 9/2491
439/651
D608,287 S * 1/2010 Zheng D13/147
D738,836 S * 9/2015 Mandli D13/199
9,502,788 B2 * 11/2016 Mills H01R 4/30
11,152,773 B2 * 10/2021 Miyamoto H02G 3/14

OTHER PUBLICATIONS

S1PartsCenter.com. "Cummins 4099180." date accessed: Dec. 2021
<https://s1partscenter.com/brands/cummins/electrical/4099180> (Year: 2021).*

* cited by examiner

Primary Examiner — Jennifer O King

(74) *Attorney, Agent, or Firm* — Foley & Lardner LLP

(57) **CLAIM**

We claim the ornamental design for a terminal board, as shown and described.

DESCRIPTION

FIG. 1 is a front perspective view from above of the claimed terminal board;
FIG. 2 is a top view of the claimed design of FIG. 1;
FIG. 3 is a bottom view of the claimed design of FIG. 1;
FIG. 4 is a left side view of the claimed design of FIG. 1;
FIG. 5 is a right side view of the claimed design of FIG. 1;
FIG. 6 is a rear view of the claimed design of FIG. 1; and,
FIG. 7 is a front view of the claimed design of FIG. 1.
The broken lines shown represent portions of the terminal board that form no part of the claimed design.

1 Claim, 7 Drawing Sheets

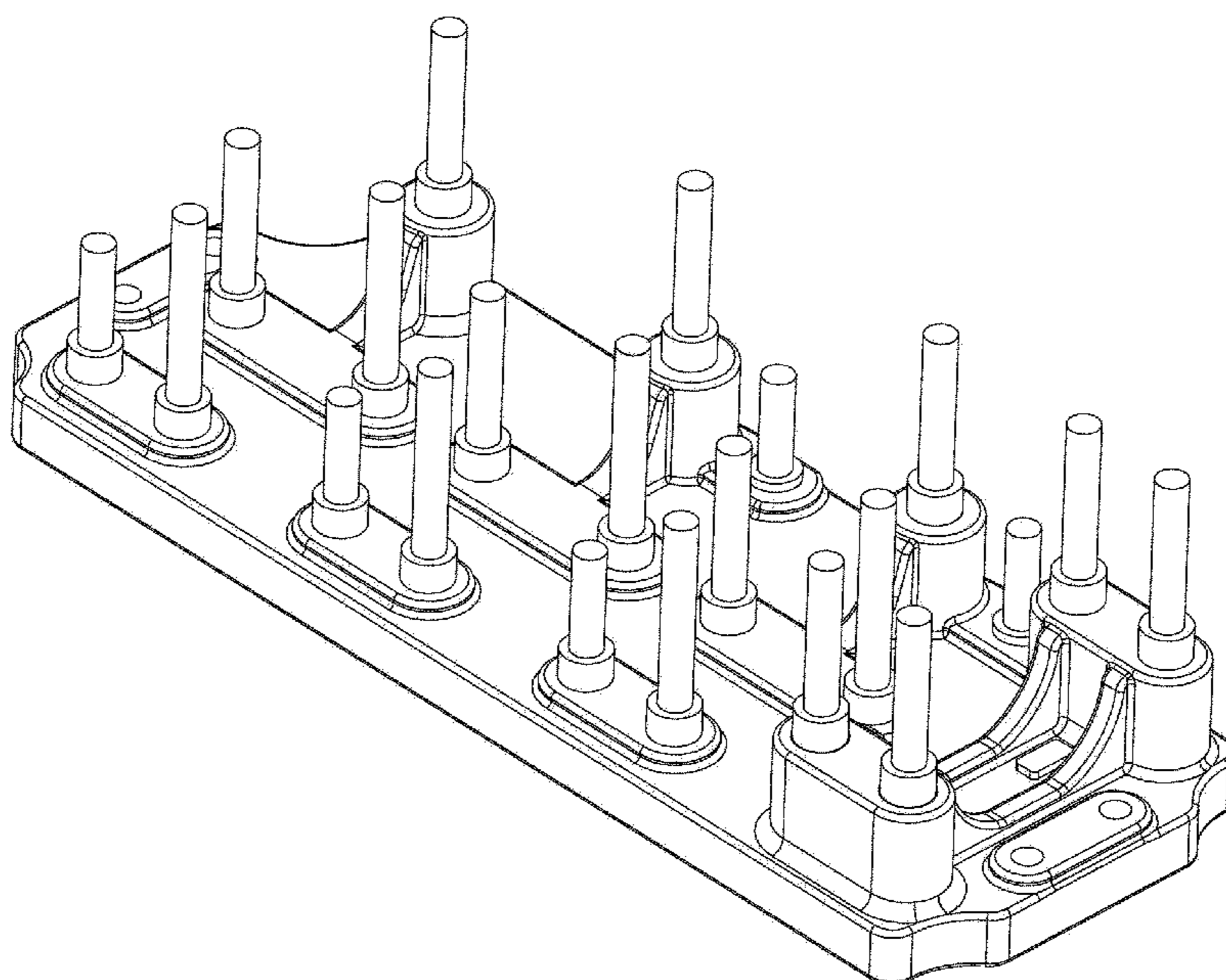


FIG. 1

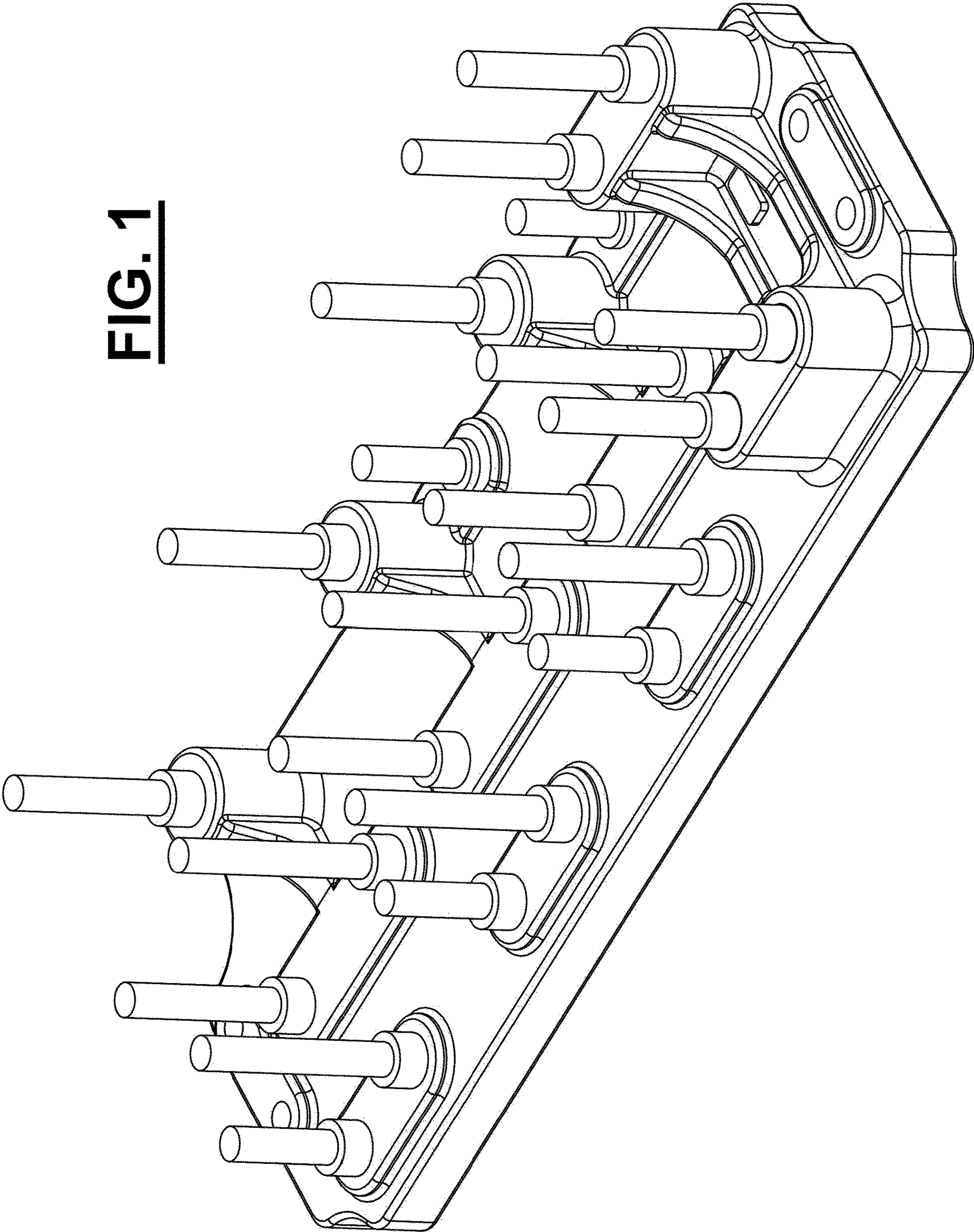
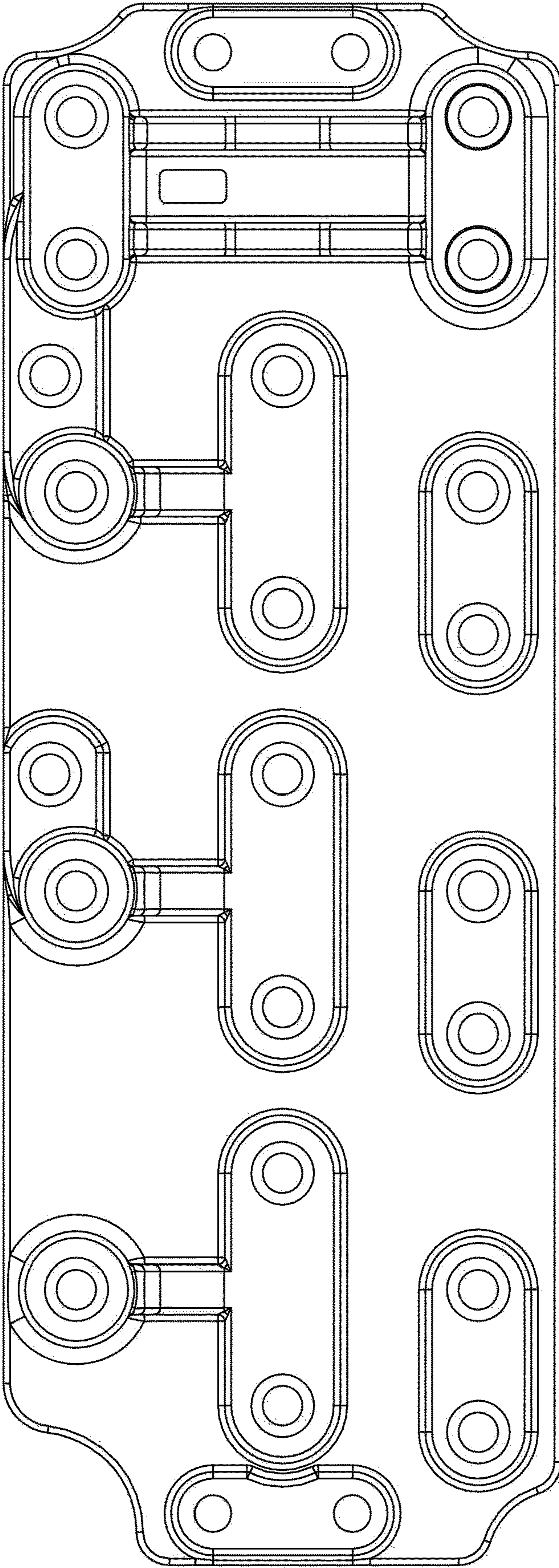


FIG. 2



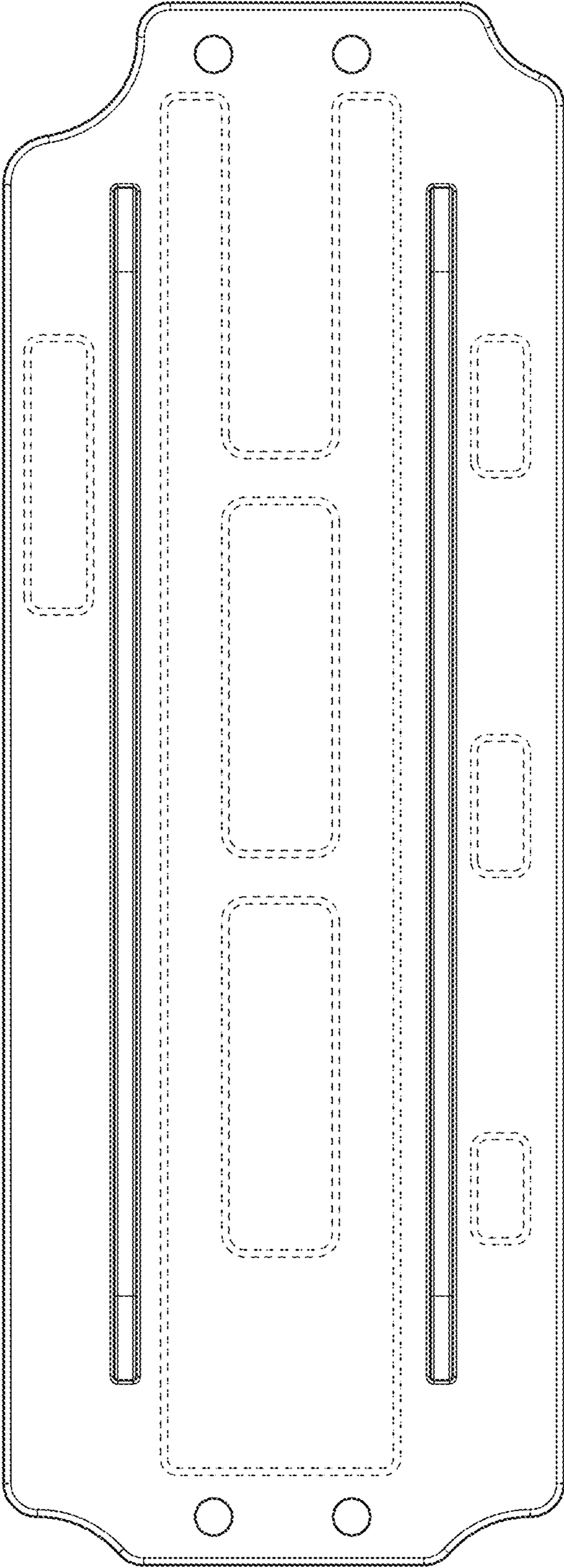


FIG. 3

FIG. 4

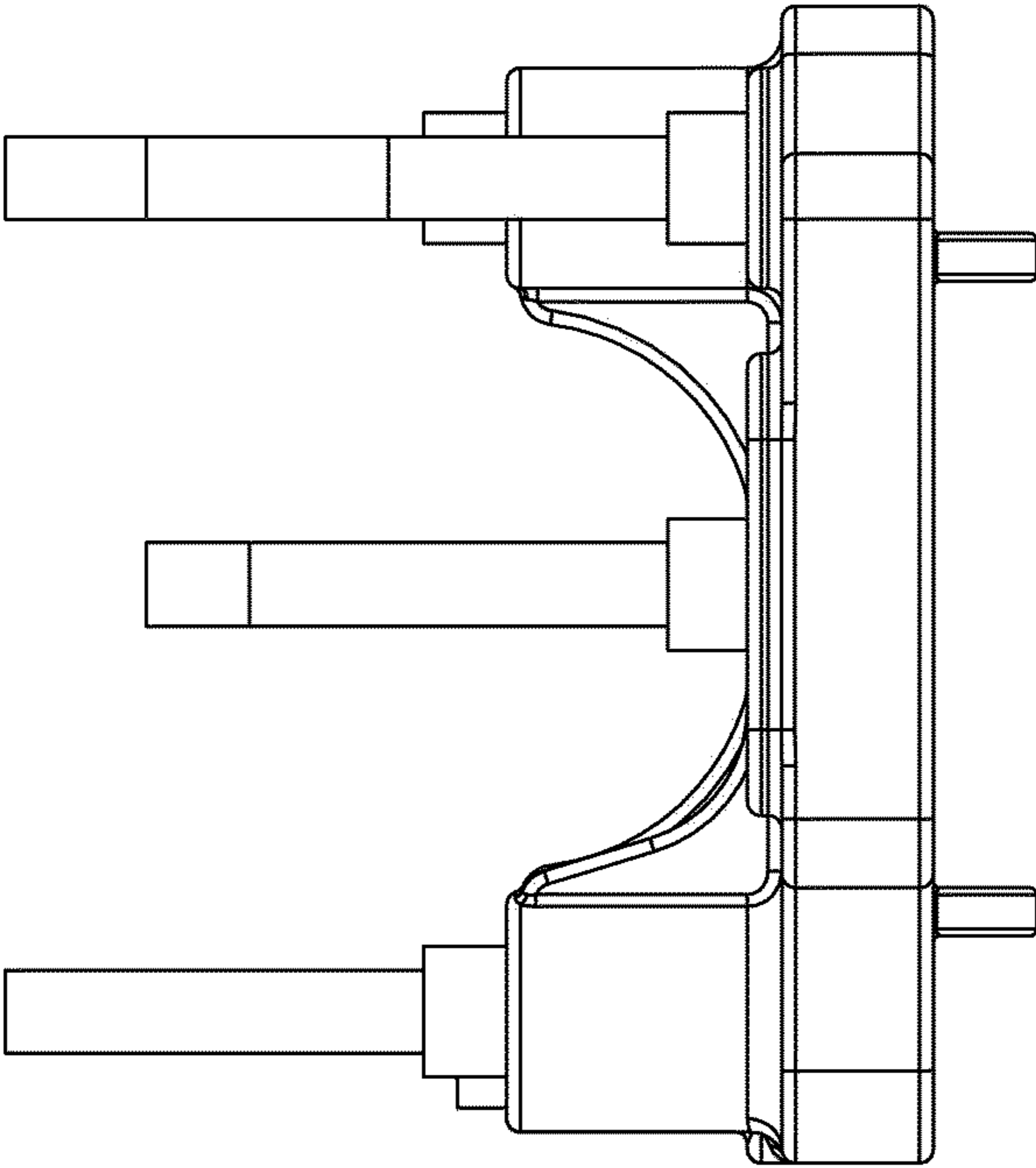


FIG. 5

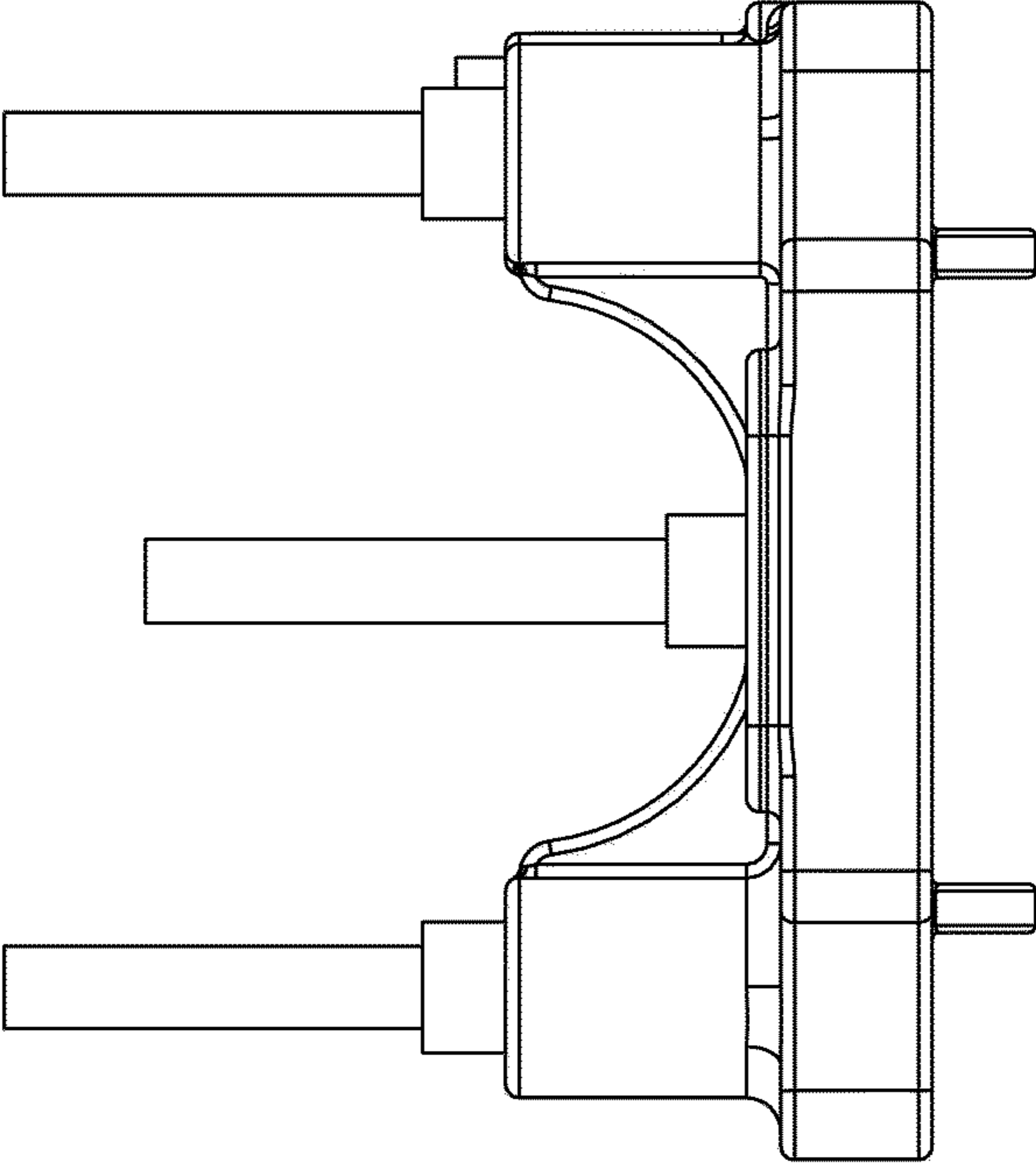


FIG. 6

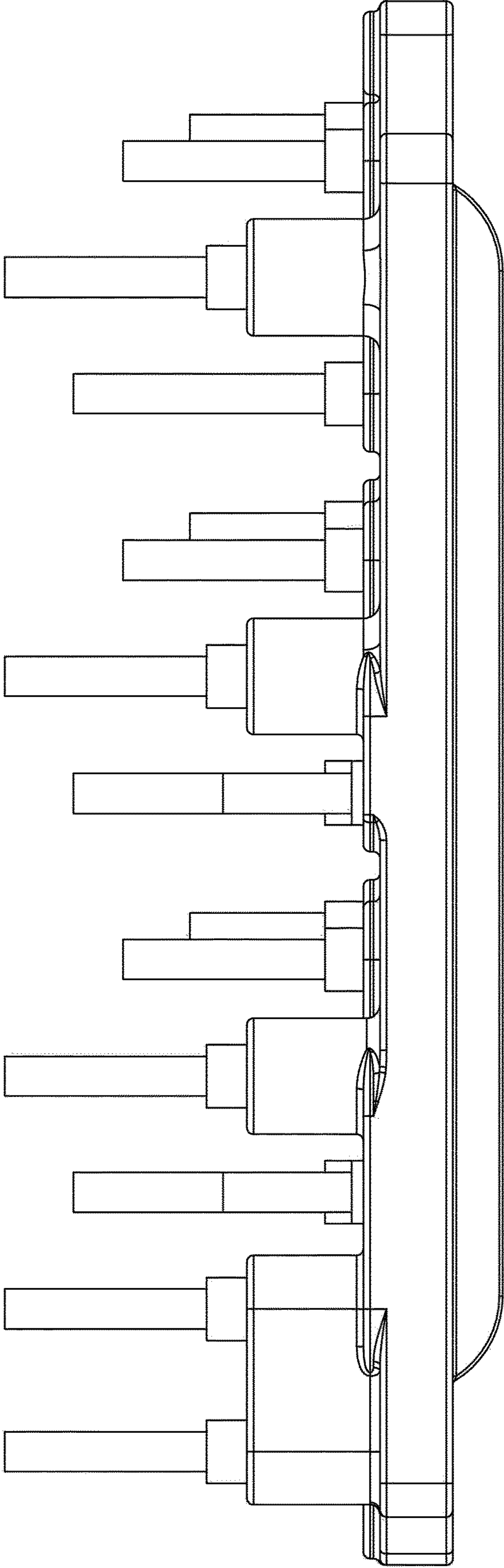


FIG. 7

