



US00D968337S

(12) **United States Design Patent**
Ito et al.

(10) **Patent No.:** **US D968,337 S**
(45) **Date of Patent:** **** Nov. 1, 2022**

(54) **CONNECTOR FOR OPTICAL MODULE**
(71) Applicant: **Yamaichi Electronics Co., Ltd.**, Tokyo (JP)
(72) Inventors: **Toshiyasu Ito**, Tokyo (JP); **Masaaki Saito**, Tokyo (JP)
(73) Assignee: **YAMAICHI ELECTRONICS CO., LTD.**, Tokyo (JP)
(**) Term: **15 Years**
(21) Appl. No.: **29/729,290**
(22) Filed: **Mar. 25, 2020**
(30) **Foreign Application Priority Data**

Sep. 27, 2019 (JP) 2019-021679
(51) **LOC (13) Cl.** **13-03**
(52) **U.S. Cl.**
USPC **D13/147**
(58) **Field of Classification Search**
USPC D13/110, 118, 120, 123, 133, 146, 147,
D13/149, 154, 156, 158, 159, 184, 199;
D14/433, 438, 439
CPC H01R 13/52; H01R 13/62; H01R 13/502;
H01R 13/514; H01R 13/639; H01R
13/6272; H01R 13/6275; H01R 13/6278;
H01R 13/6471; H01R 12/52; H01R
12/53; H01R 12/515; H01R 12/585;
H01R 12/716; H01R 12/7005; H05K
1/18; H05K 5/0256

See application file for complete search history.

(56) **References Cited**
U.S. PATENT DOCUMENTS
D475,970 S * 6/2003 Li D13/133
D490,803 S * 6/2004 Ng D14/140.2
D562,244 S * 2/2008 Peng D13/147
D775,082 S * 12/2016 Kai D13/147
D799,103 S * 10/2017 Gloor D26/120
D824,337 S * 7/2018 Wilcox D13/147
* cited by examiner
Primary Examiner — Derrick E Holland
(74) *Attorney, Agent, or Firm* — Hamilton, Brook, Smith & Reynolds, P.C.

(57) **CLAIM**
The ornamental design for a connector for optical module, as shown and described.

DESCRIPTION
FIG. 1 is a front view of a connector for optical module, showing our new design;
FIG. 2 is a back view thereof;
FIG. 3 is a top view thereof;
FIG. 4 is a bottom view thereof;
FIG. 5 is a left side view thereof;
FIG. 6 is a right side view thereof;
FIG. 7 is a perspective view showing the front, top and right side thereof;
FIG. 8 is a perspective view showing the front, bottom and left side thereof; and,
FIG. 9 is a perspective view showing the back, top and right side thereof.
The broken lines shown represent environmental subject matter and form no part of the claimed design.

1 Claim, 5 Drawing Sheets

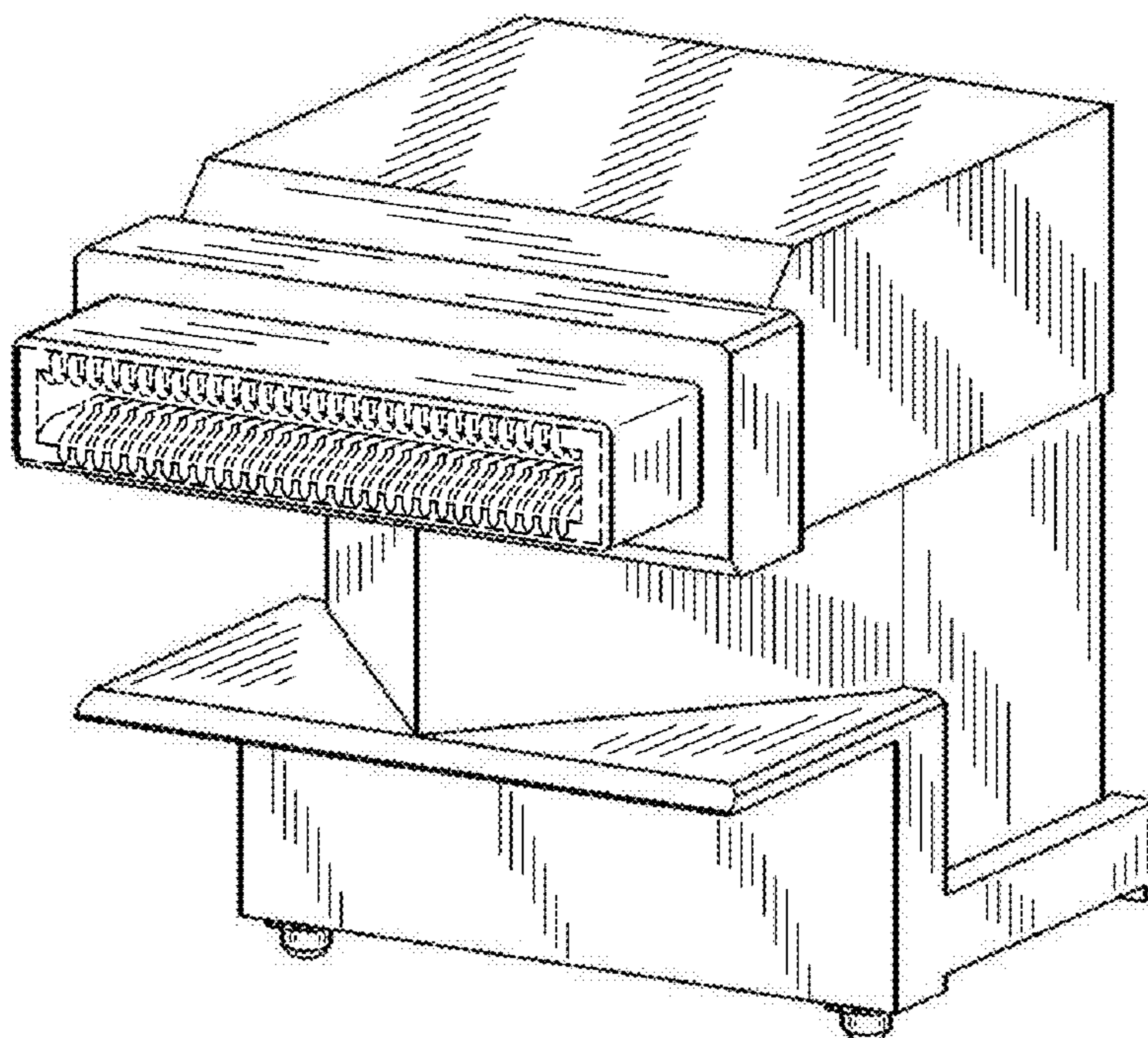


Figure 1

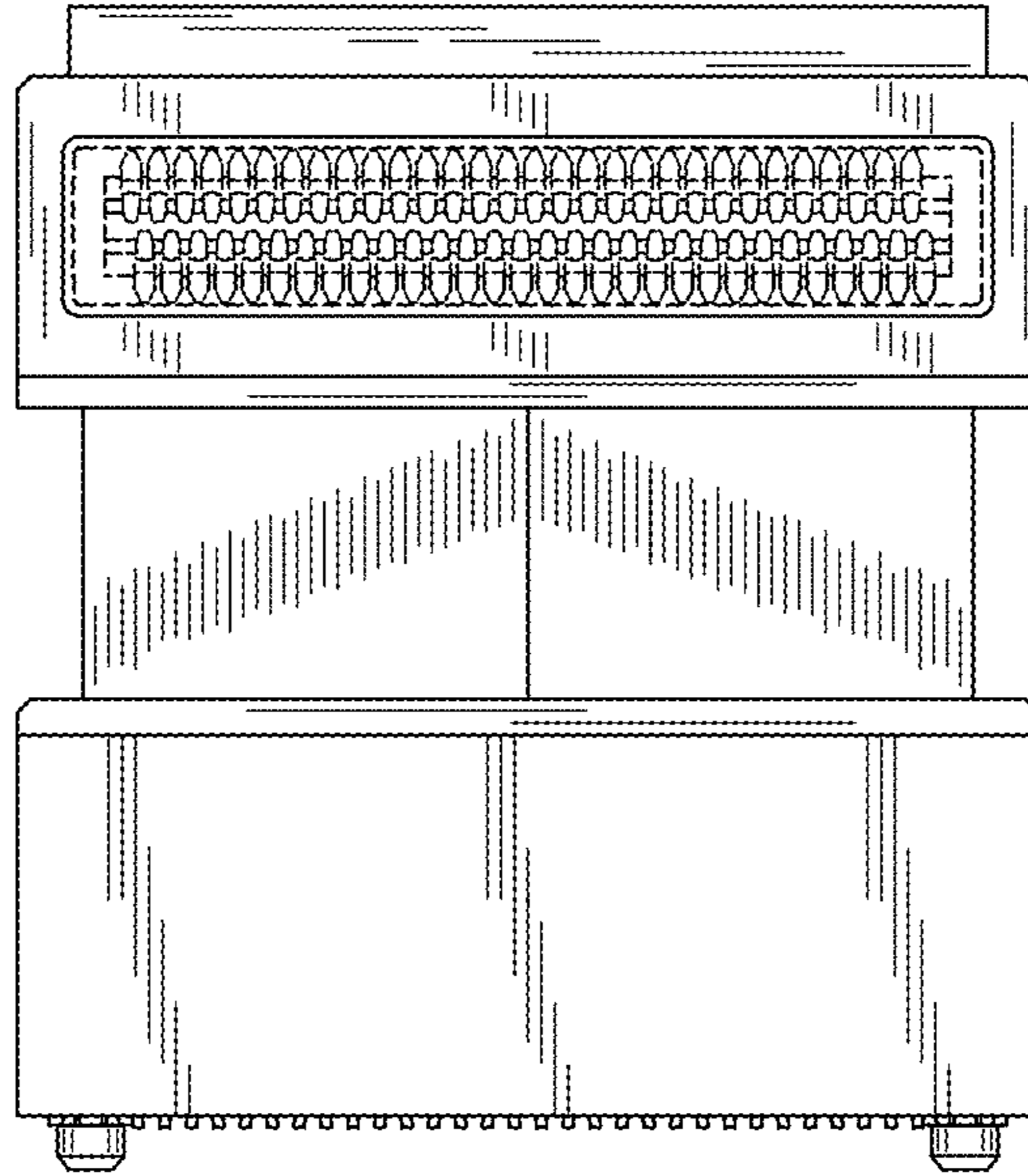


Figure 2

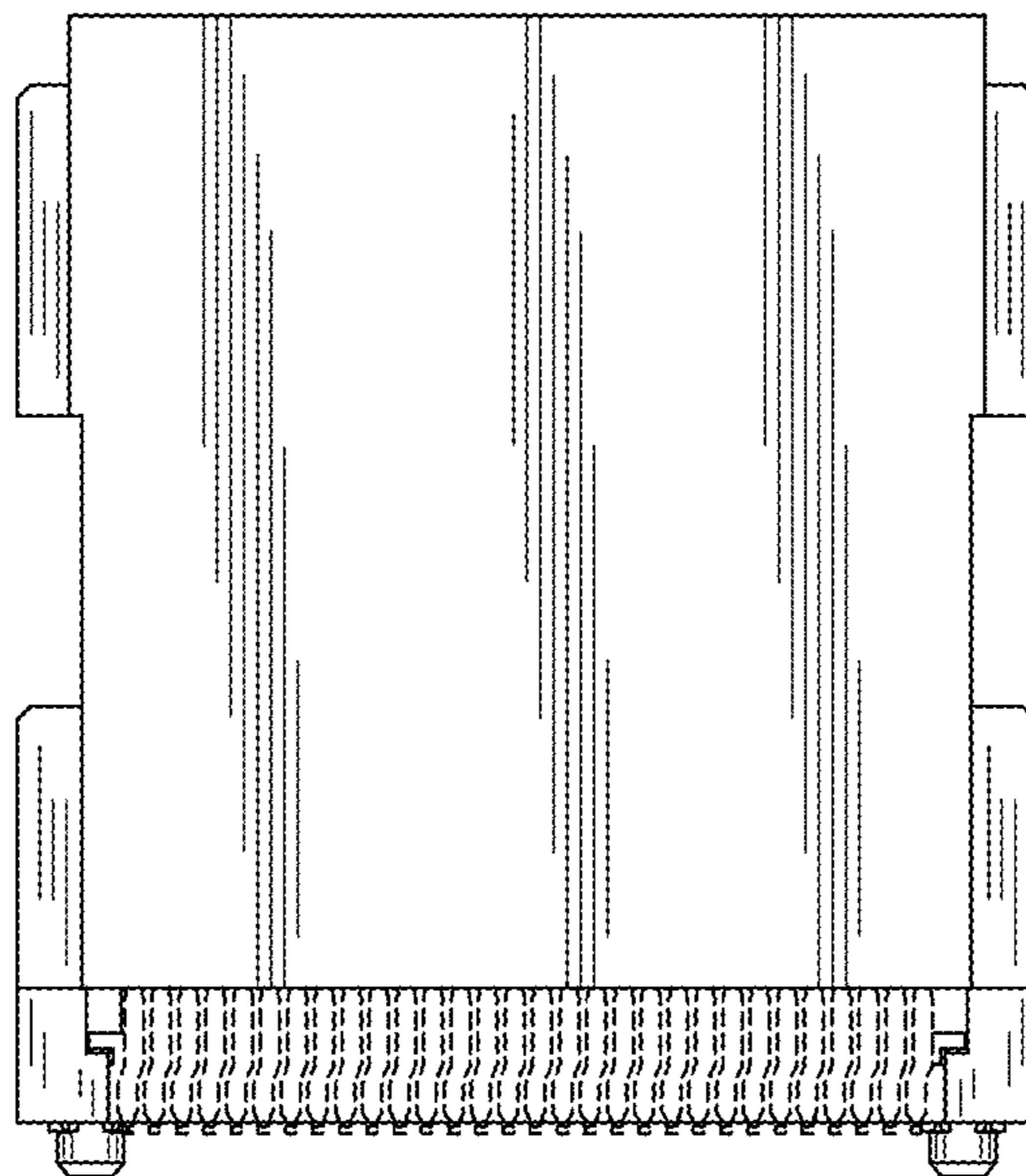


Figure 3

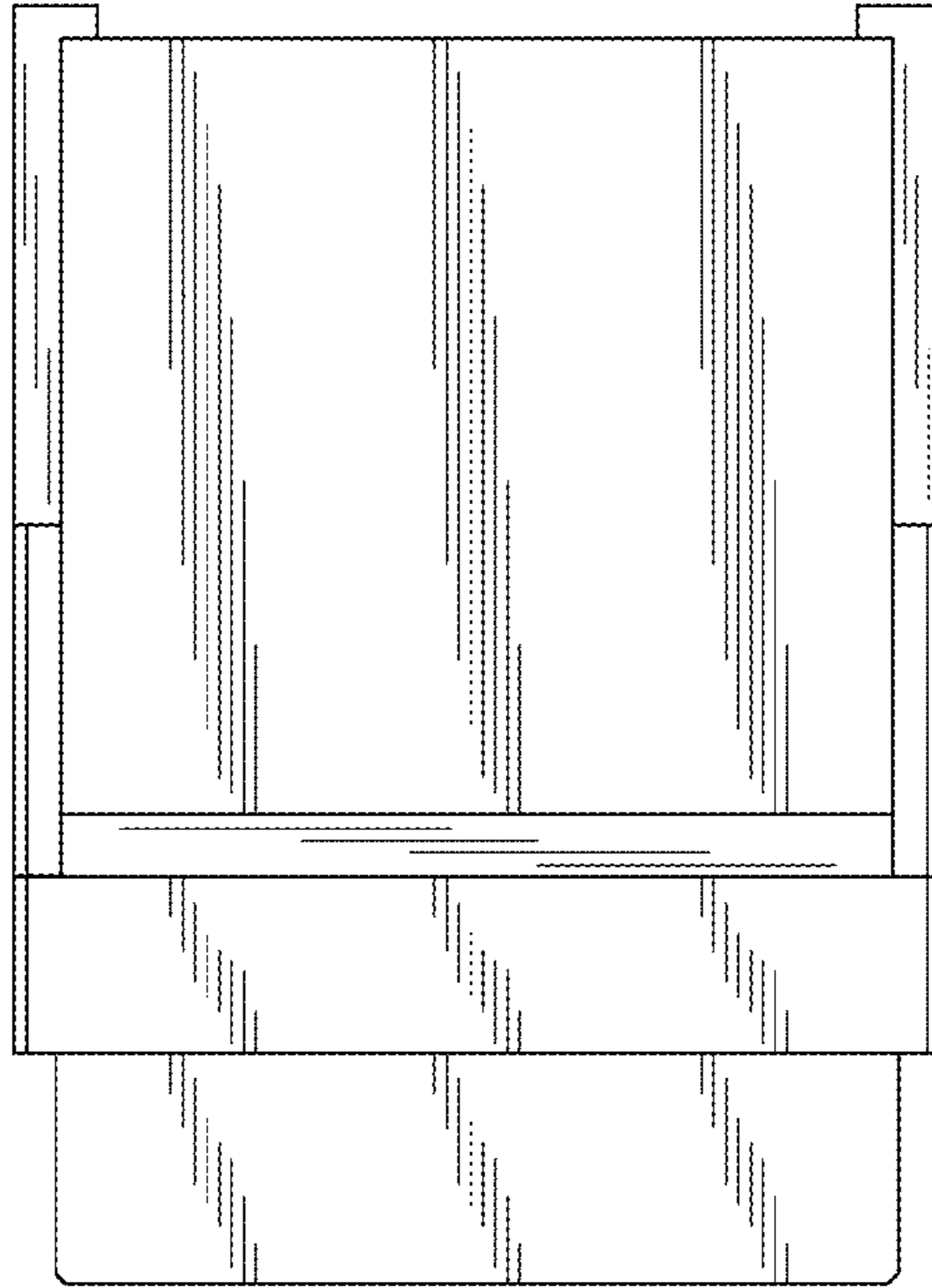


Figure 4

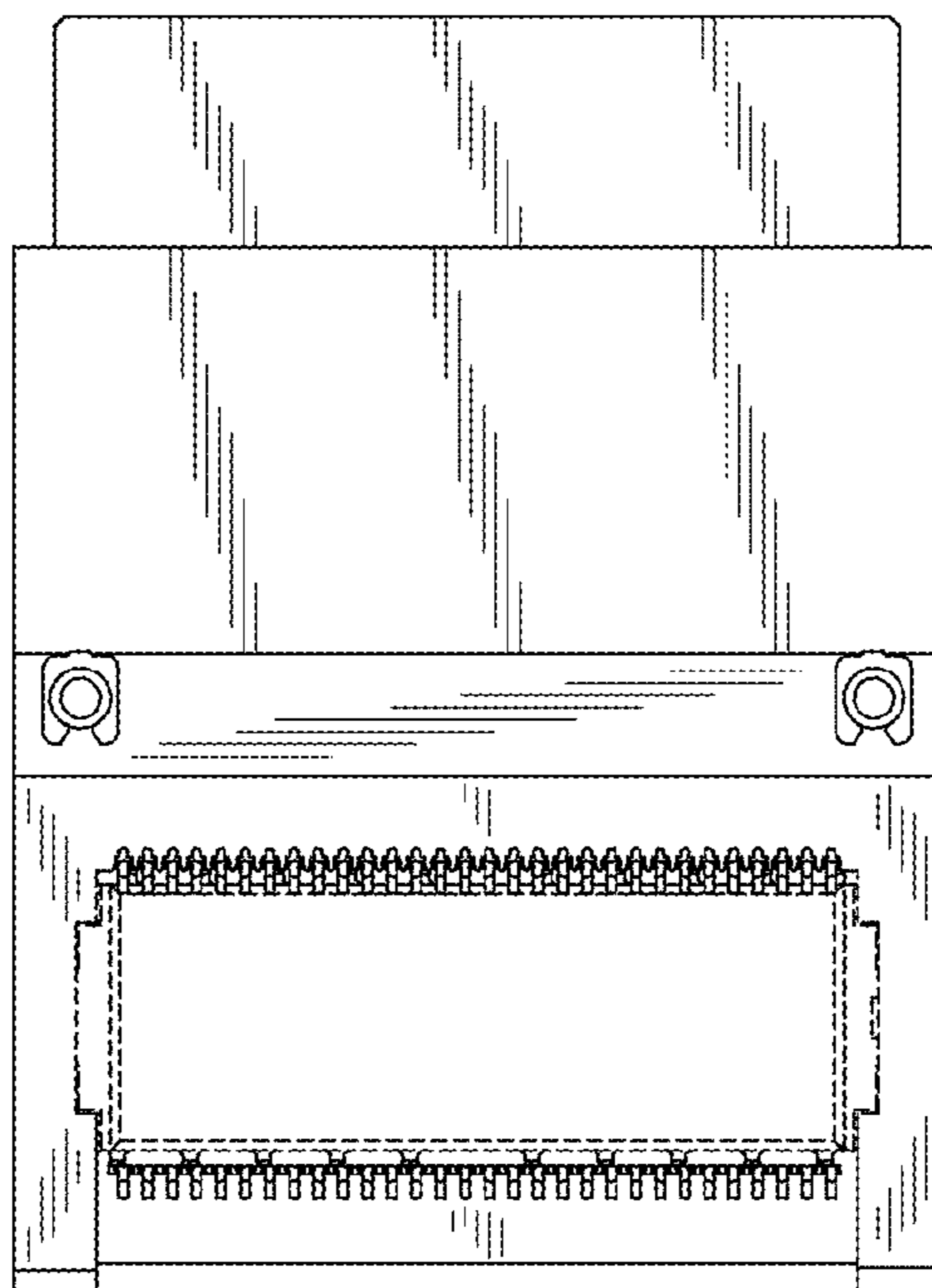


Figure 5

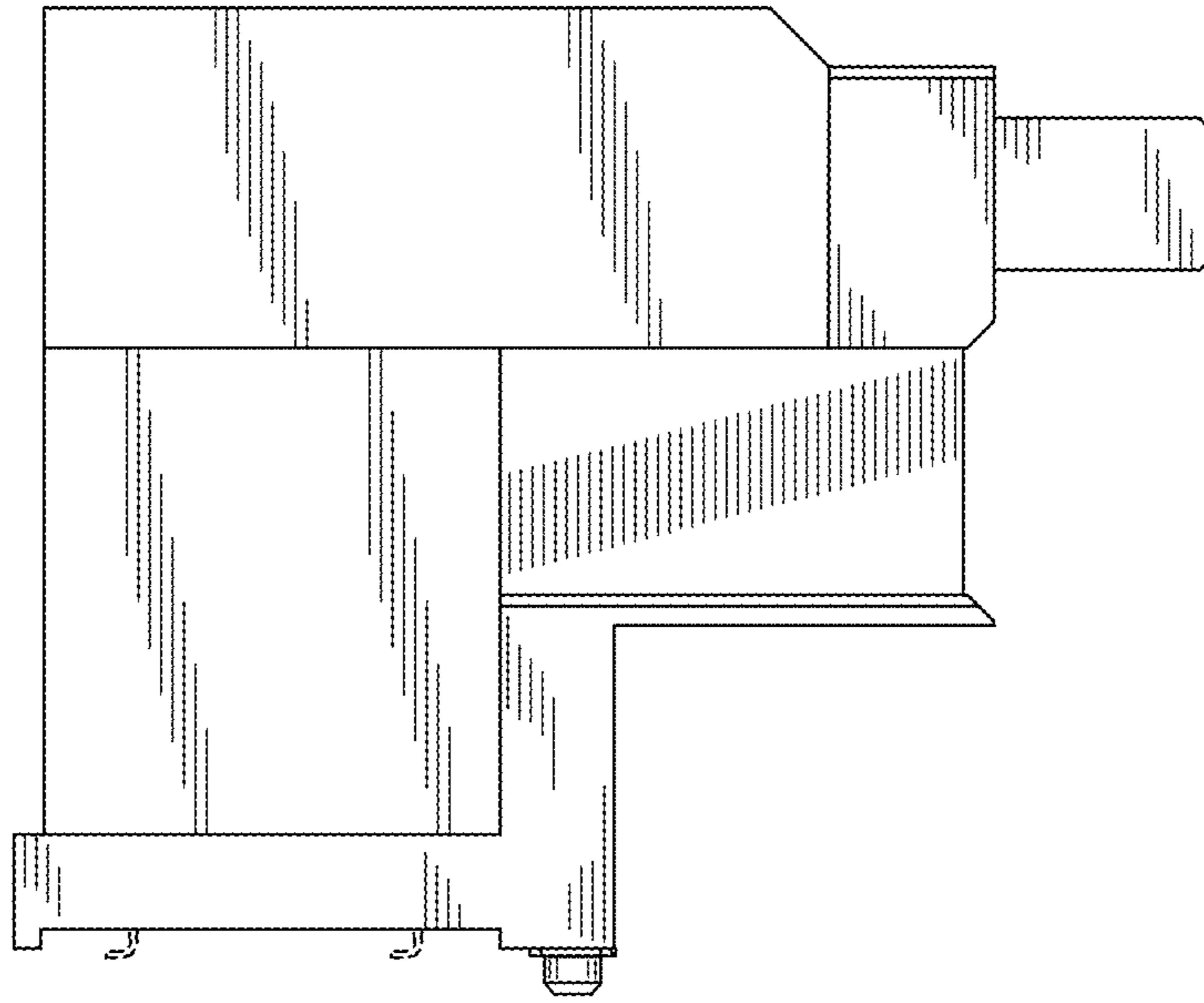


Figure 6

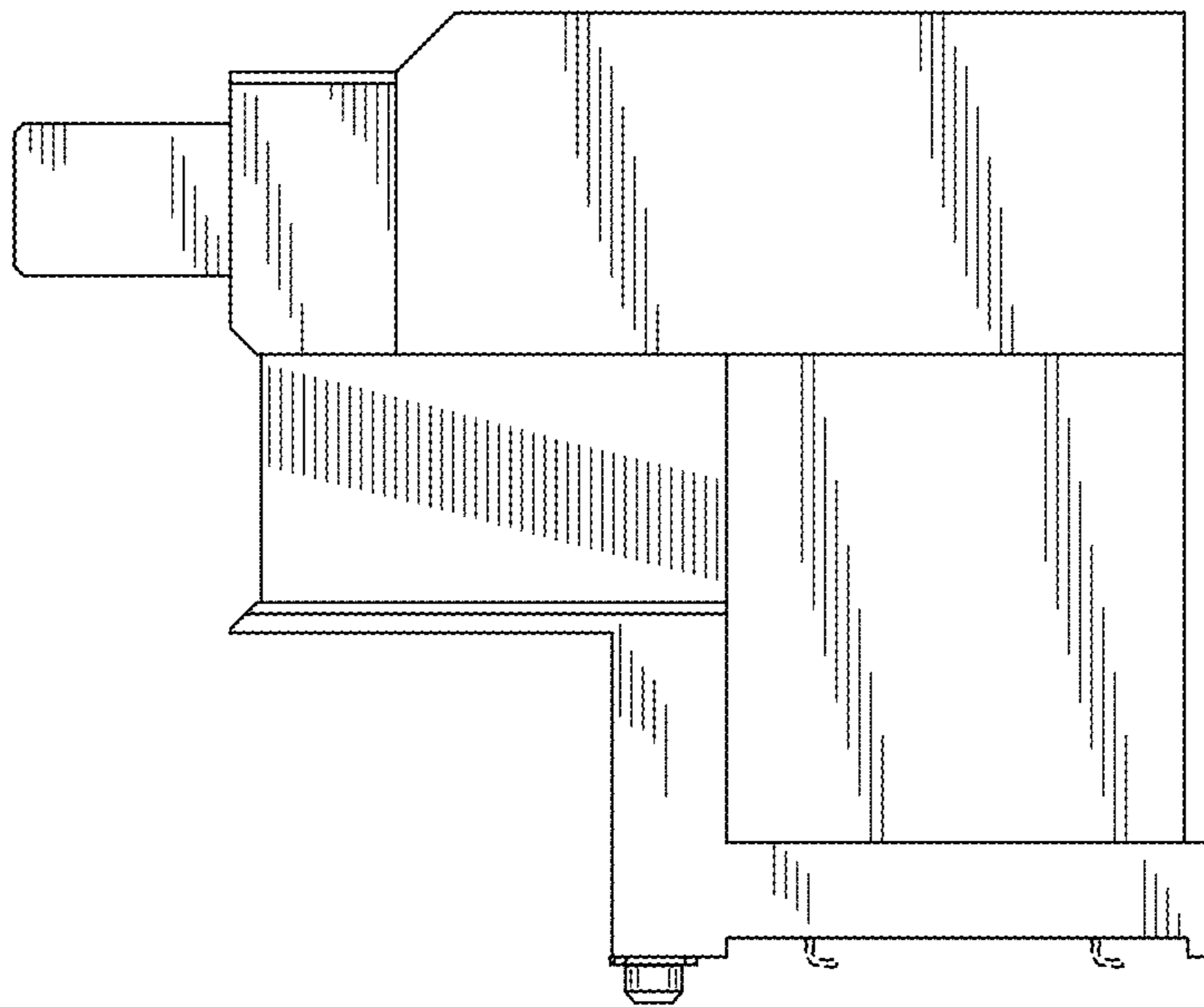


Figure 7

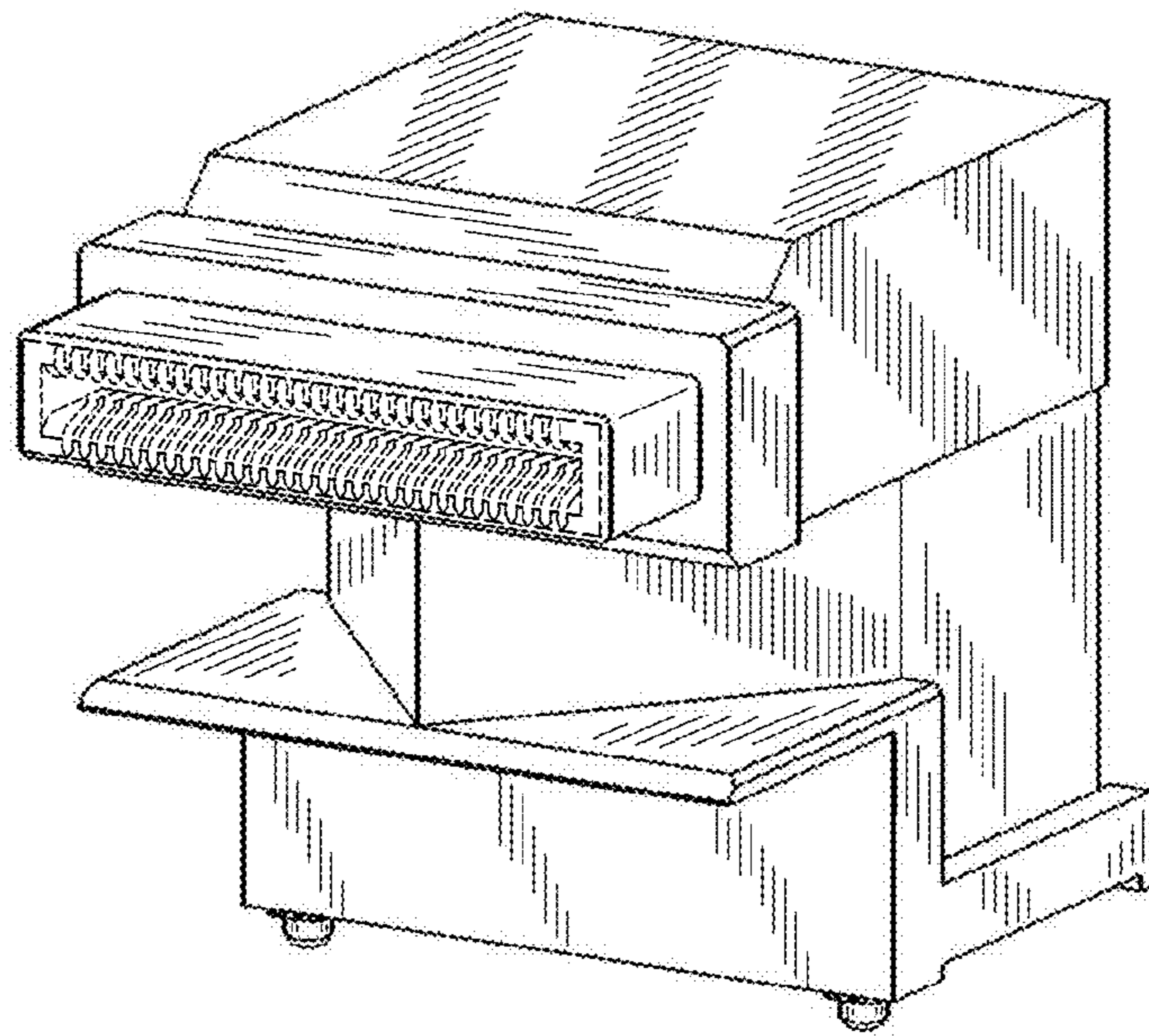


Figure 8

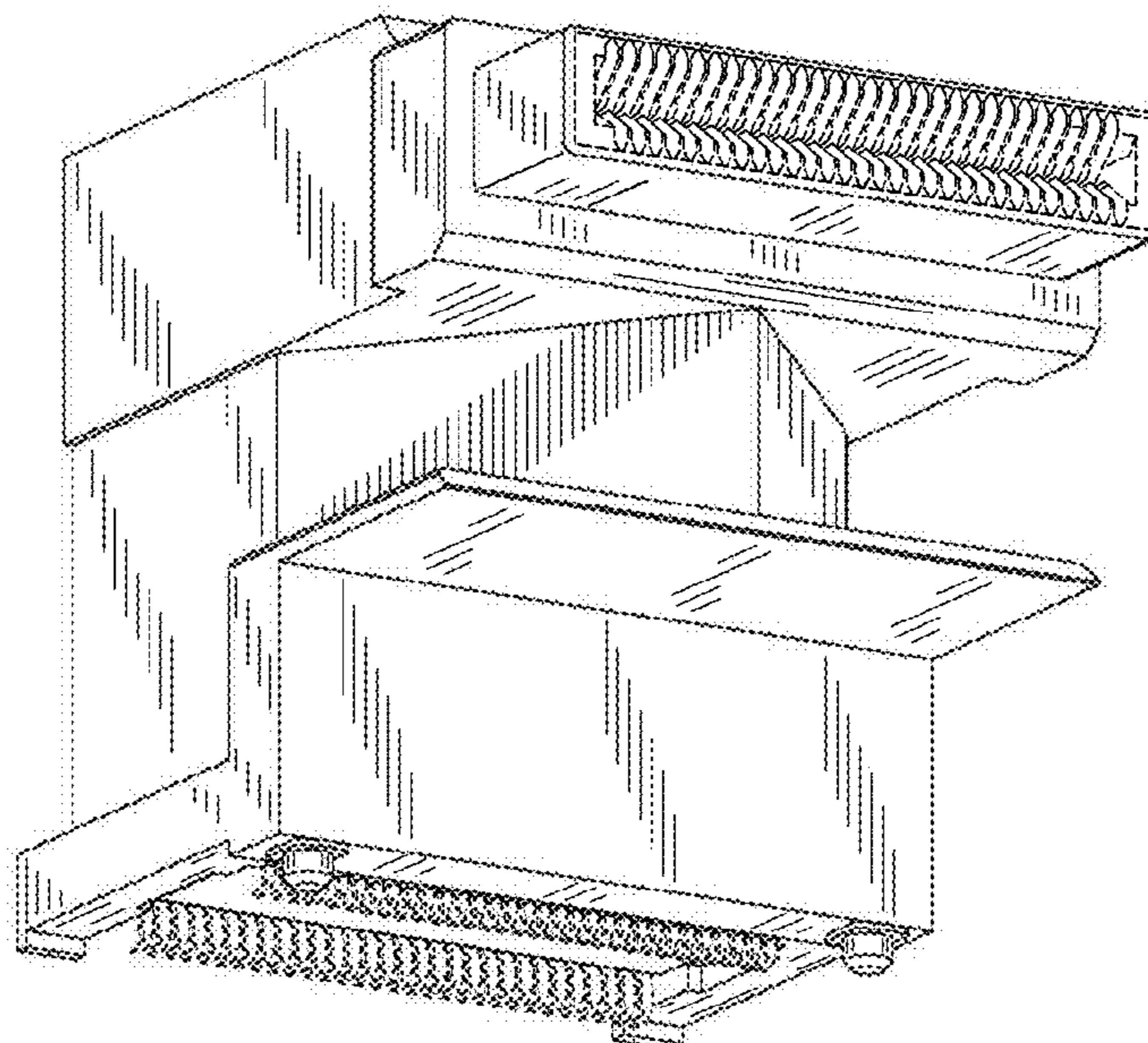


Figure 9

