



US00D968335S

(12) **United States Design Patent**
Chen

(10) **Patent No.:** **US D968,335 S**

(45) **Date of Patent:** **** Nov. 1, 2022**

(54) **SOCKET**

(71) Applicant: **Xinghua Wei**, Guangdong (CN)

(72) Inventor: **Rongjie Chen**, Hunan (CN)

(**) Term: **15 Years**

(21) Appl. No.: **29/736,269**

(22) Filed: **May 29, 2020**

(51) **LOC (13) Cl.** **03-03**

(52) **U.S. Cl.**
USPC **D13/139.6**

(58) **Field of Classification Search**

USPC D13/137.1, 137.2, 137.3, 137.4, 138.1,
D13/138.2, 139.1, 139.2, 139.7, 139.8,
D13/184, 103, 107, 199, 108, 110, 119,
D13/123, 133, 139.3, 139.5, 139.6, 152,
D13/145, 153, 154, 156, 158, 160, 162,
D13/177; D14/433, 434

CPC H01R 13/00; H01R 13/04; H01R 13/10;
H01R 13/665; H01R 13/6666; H01R
13/6676; H01R 13/7135; H01R 25/00;
H01R 25/006; H01R 9/00; H01R 11/00;
H02H 3/33; H02H 3/162; H01H 2207/00;
H01H 2207/022; H01H 2203/00; H05K
5/00; H05K 5/03

See application file for complete search history.

(56) **References Cited**

U.S. PATENT DOCUMENTS

D288,298 S * 2/1987 Yang D10/40
D367,037 S * 2/1996 Fladung D13/137.2
D367,038 S * 2/1996 Fladung D13/137.2
D370,459 S * 6/1996 Boesel D13/137.2
D409,980 S * 5/1999 Byrne D13/137.1
D442,916 S * 5/2001 Tong D13/137.2
D653,215 S * 1/2012 Lam D13/139.8
D693,305 S * 11/2013 Kuo D13/137.2
D717,732 S * 11/2014 Byrne D13/137.1

D736,709 S * 8/2015 Byrne D13/137.1
D814,420 S * 4/2018 Chen D13/137.2
D852,138 S * 6/2019 Wen D13/137.1
D879,720 S * 3/2020 Gao D13/137.3

FOREIGN PATENT DOCUMENTS

GB 2021033 * 7/1992
GB 6089591 * 5/2020
JP D1594624 * 1/2018

OTHER PUBLICATIONS

“Anker Power Strip with USB, 5 ft Extension Cord, PowerPort Cube USB with 3 Outlets and 3 USB Ports, Portable Design, Overload Protection for iPhone XS/XR, Compact for Travel, Cruise Ship, and Office”, first available May 14, 2018. Amazon.com [https://www.amazon.com/dp/B07D25RSWX] (Year: 2018).*

(Continued)

Primary Examiner — Rosemary K Tarcza
Assistant Examiner — Seth David Kumpf

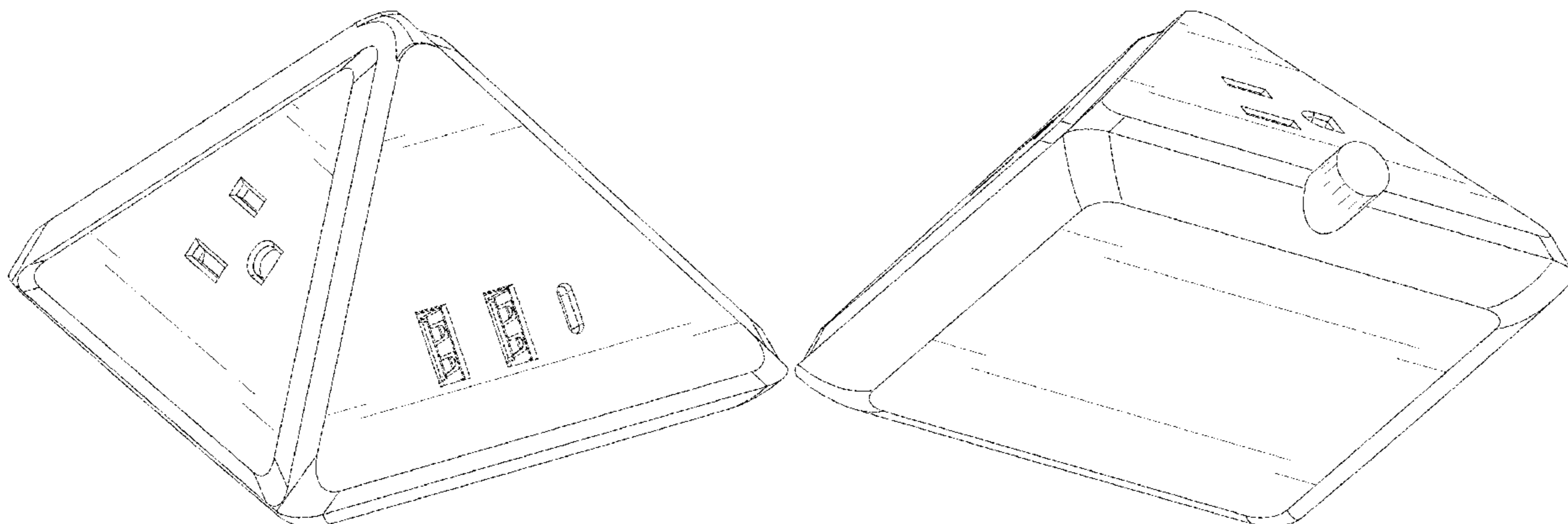
(57) **CLAIM**

The ornamental design for a socket, as shown and described.

DESCRIPTION

FIG. 1 is a bottom plan view of a socket showing my new design;
FIG. 2 is a front elevational view thereof;
FIG. 3 is a right side view thereof;
FIG. 4 is a rear elevational view thereof;
FIG. 5 is a left side view thereof;
FIG. 6 is a top plan view thereof;
FIG. 7 is a perspective view thereof; and,
FIG. 8 is another perspective view thereof.
The broken lines show portions of the socket that form no part of the claimed design.

1 Claim, 8 Drawing Sheets



(56)

References Cited

OTHER PUBLICATIONS

“USB Wall Charger Surge Protector 5 Outlet Extender with 4 USB Charging Ports (1 USB C Outlet) 3 Sided 1800J Power Strip Multi Plug Outlets Wall Adapter Spaced for Home Travel Office ETL Listed”, first available Jul. 21, 2020. Amazon.com [<https://www.amazon.com/dp/B087RKKXM5>] (Year: 2020).*

“USB Wall Charger, Surge Protector, POWRUI 6-Outlet Extender with 2 USB Charging Ports (2.4A Total) and Night Light, 3-Sided Power Strip with Adapter Spaced Outlets—White , ETL Listed”, first available Apr. 13, 2018. Amazon.com [<https://www.amazon.com/dp/B07CCGBB7M>] (Year: 2018).*

* cited by examiner

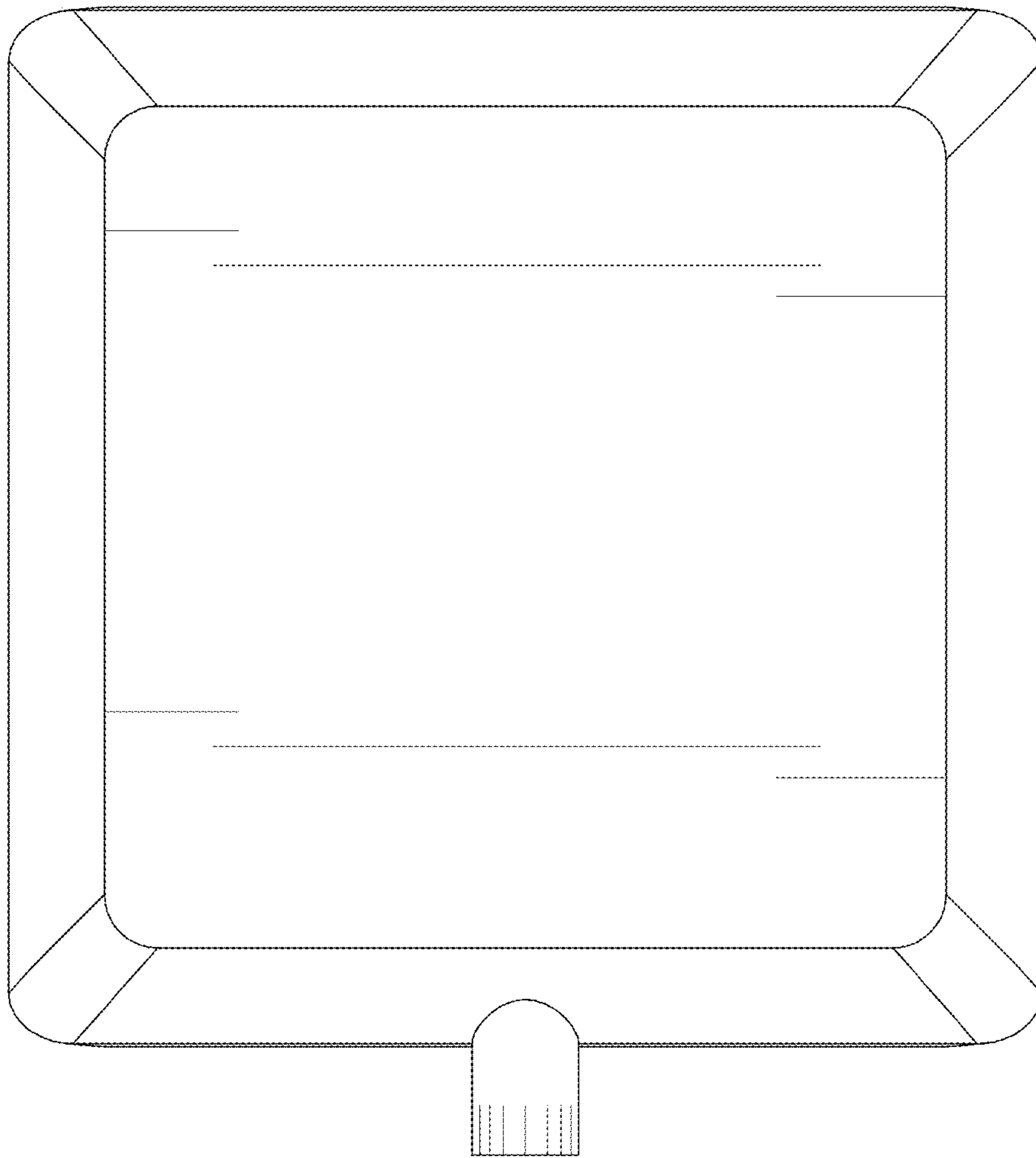


FIG. 1

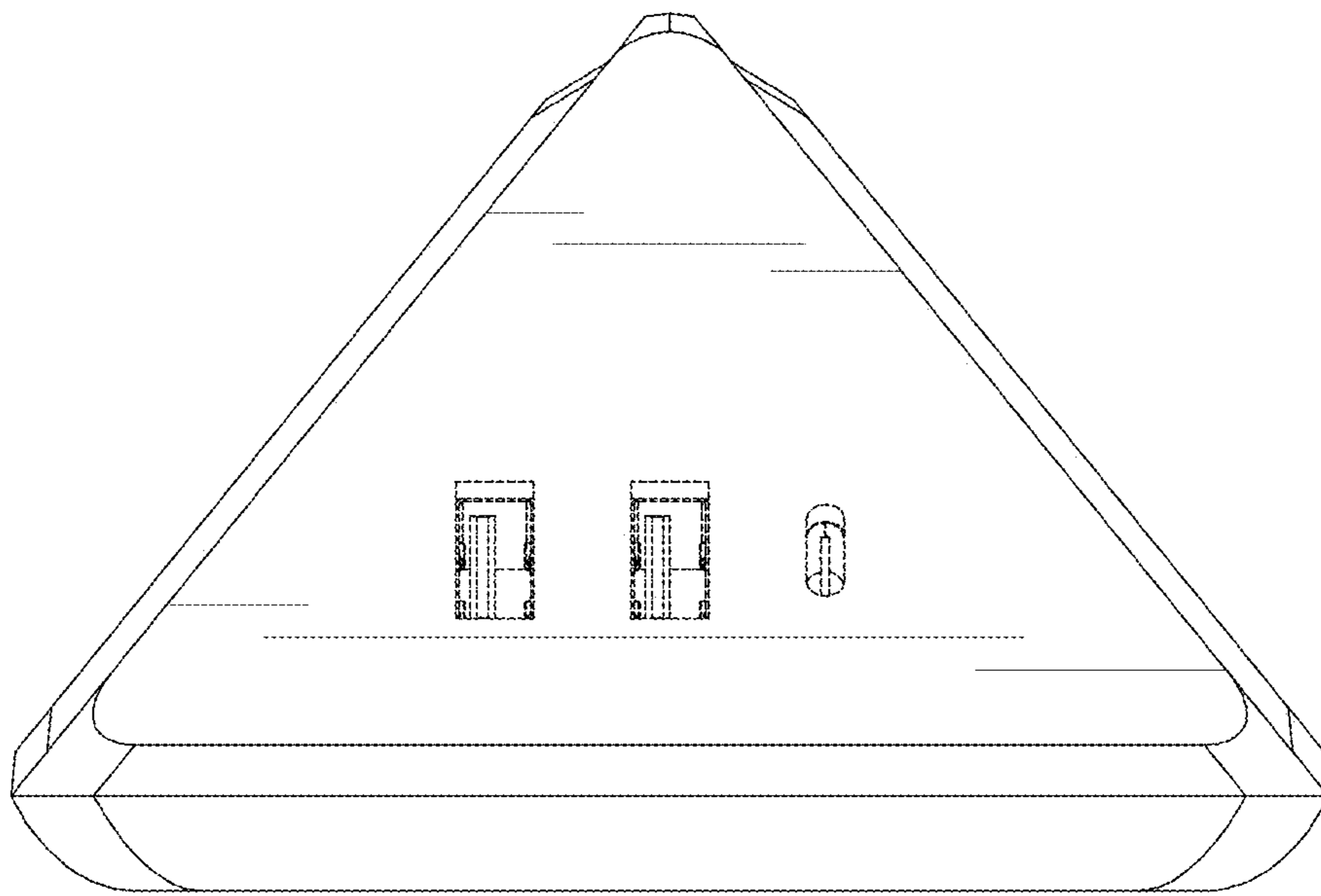


FIG. 2

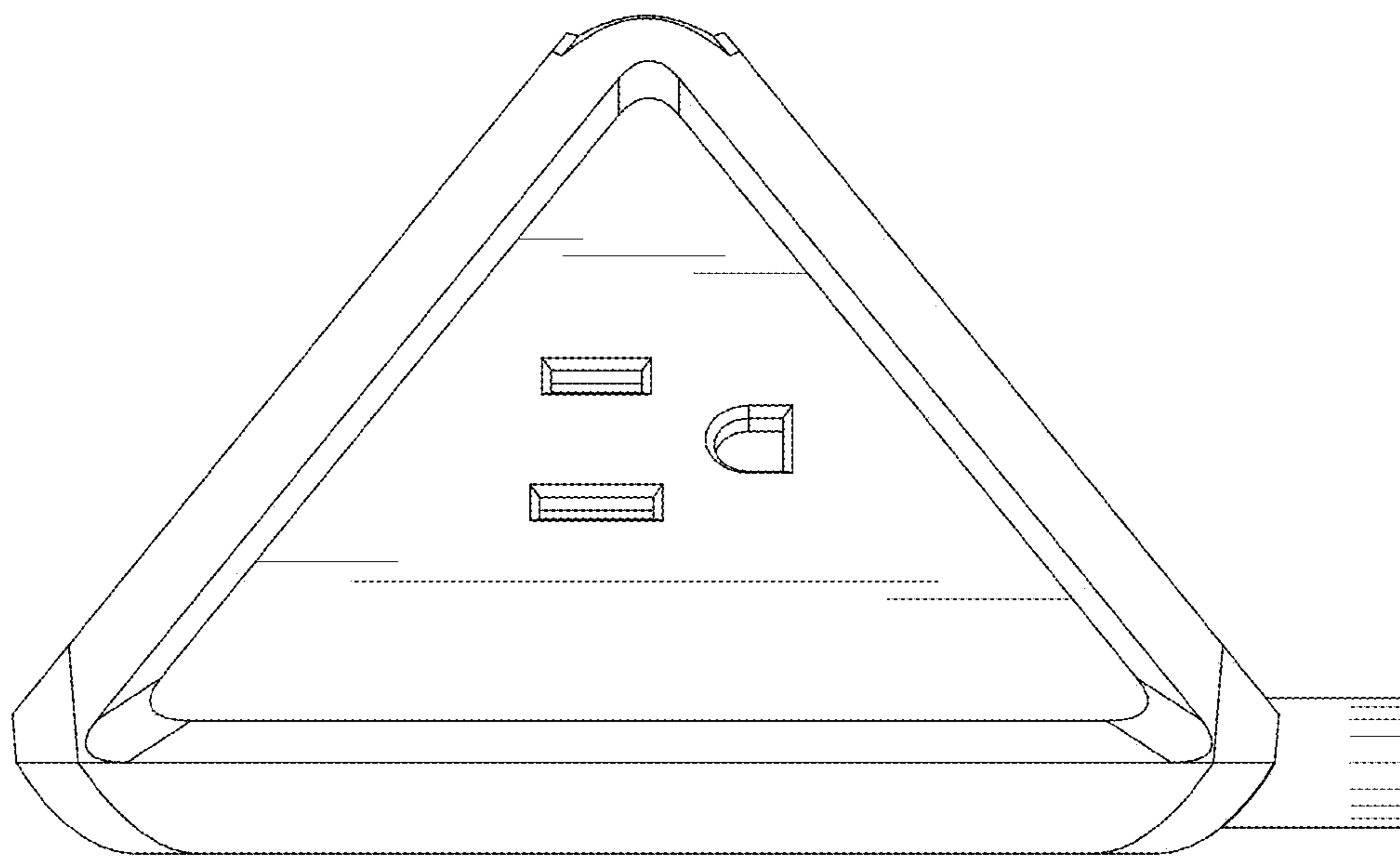


FIG. 3

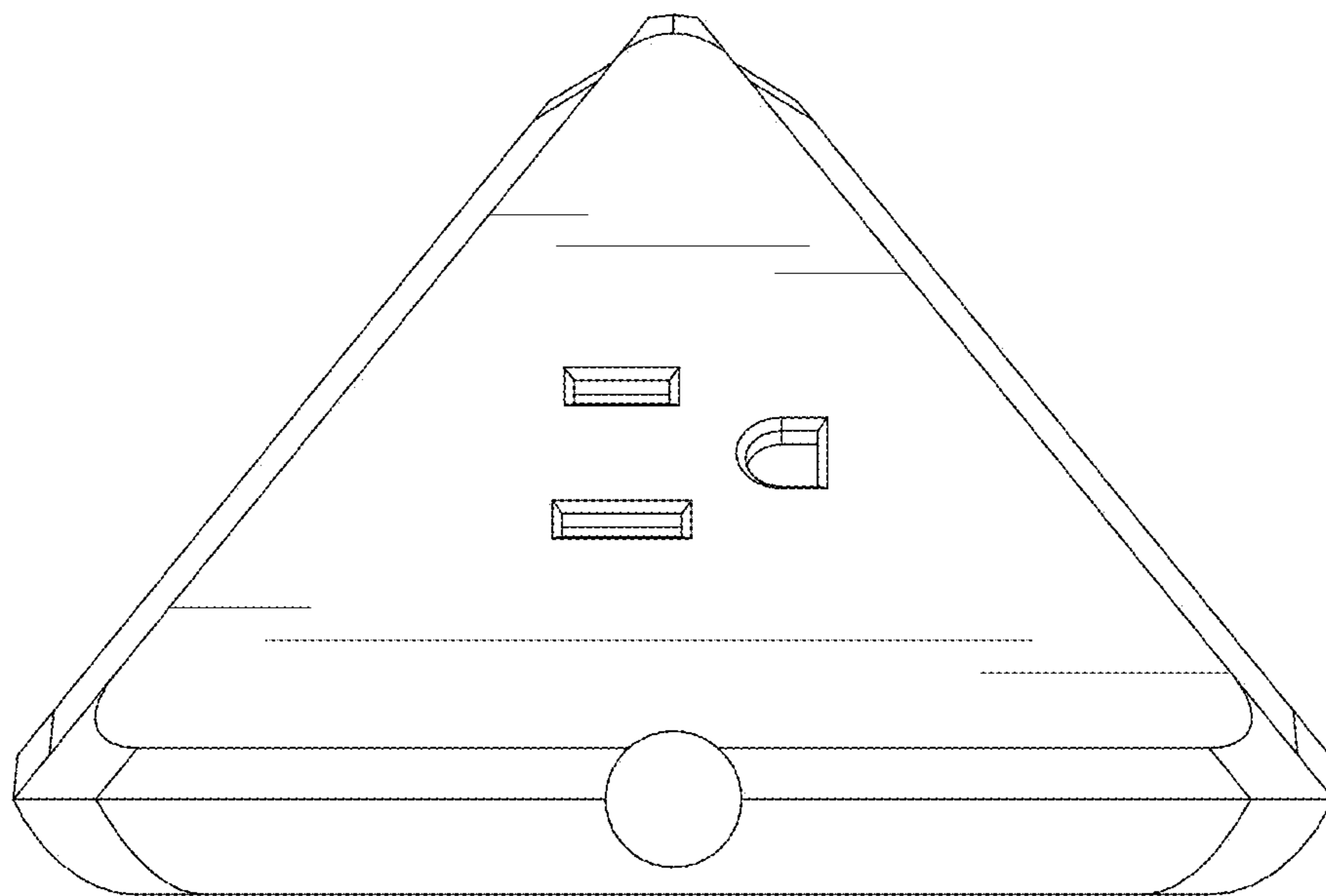


FIG. 4

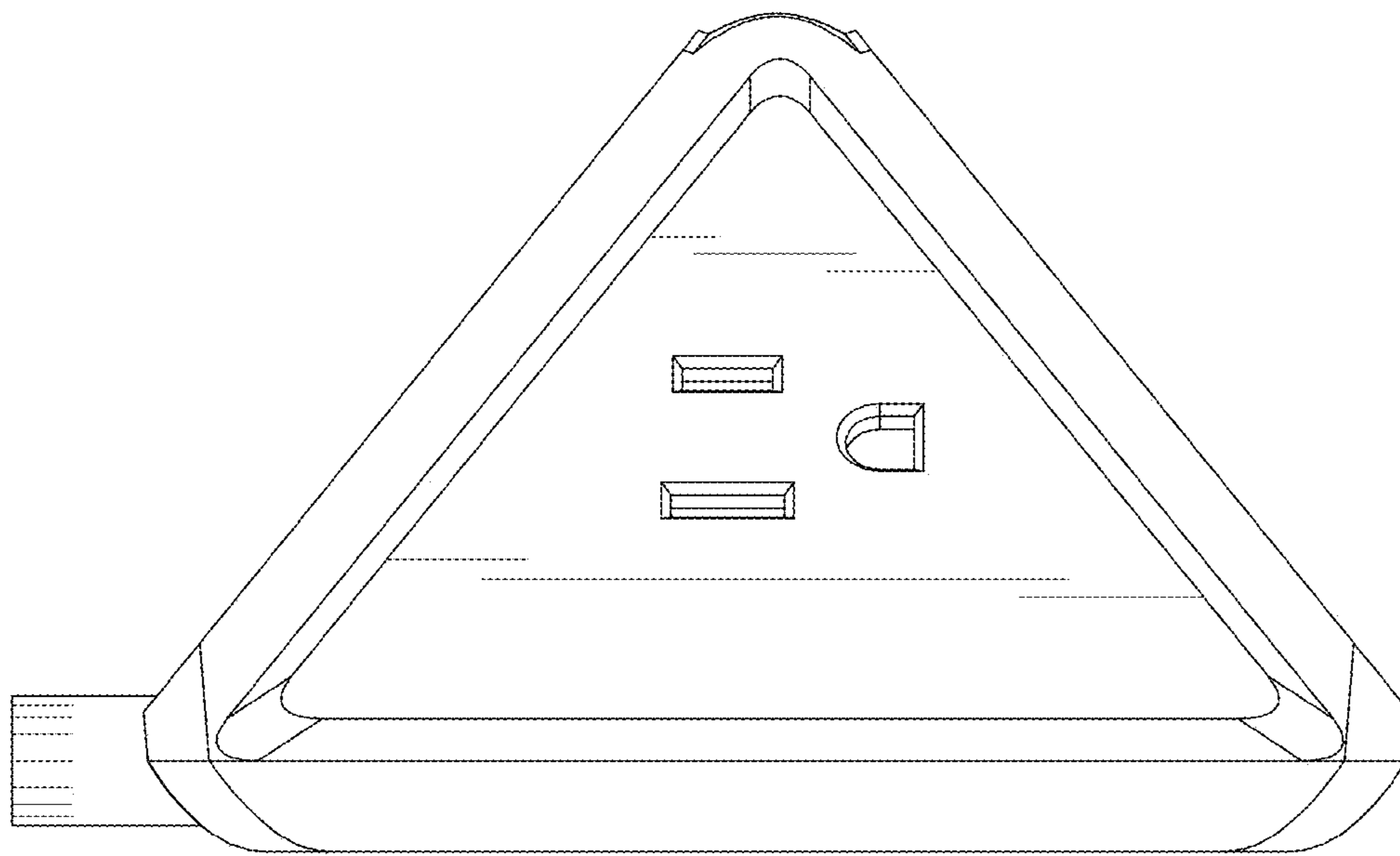


FIG. 5

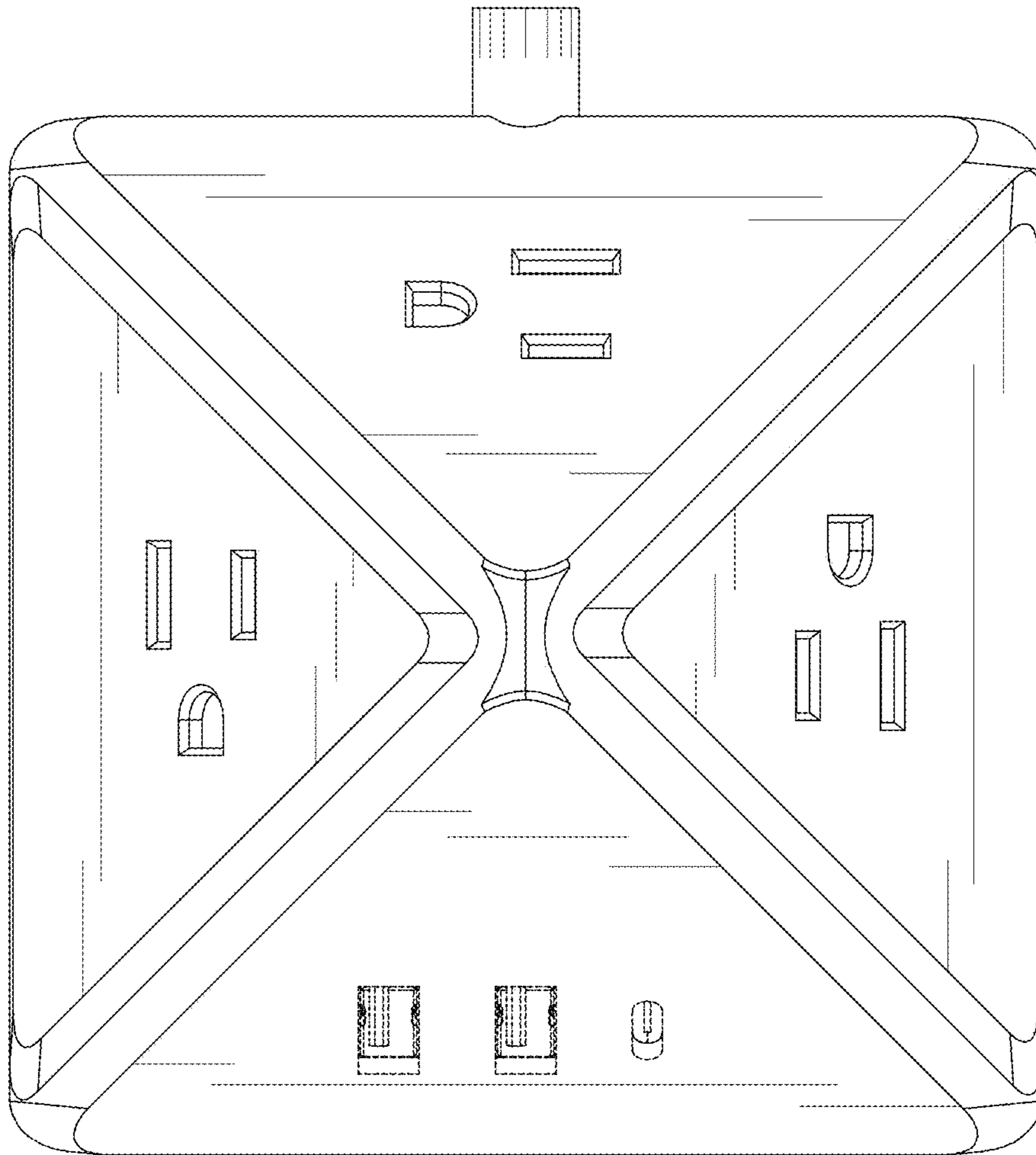


FIG. 6

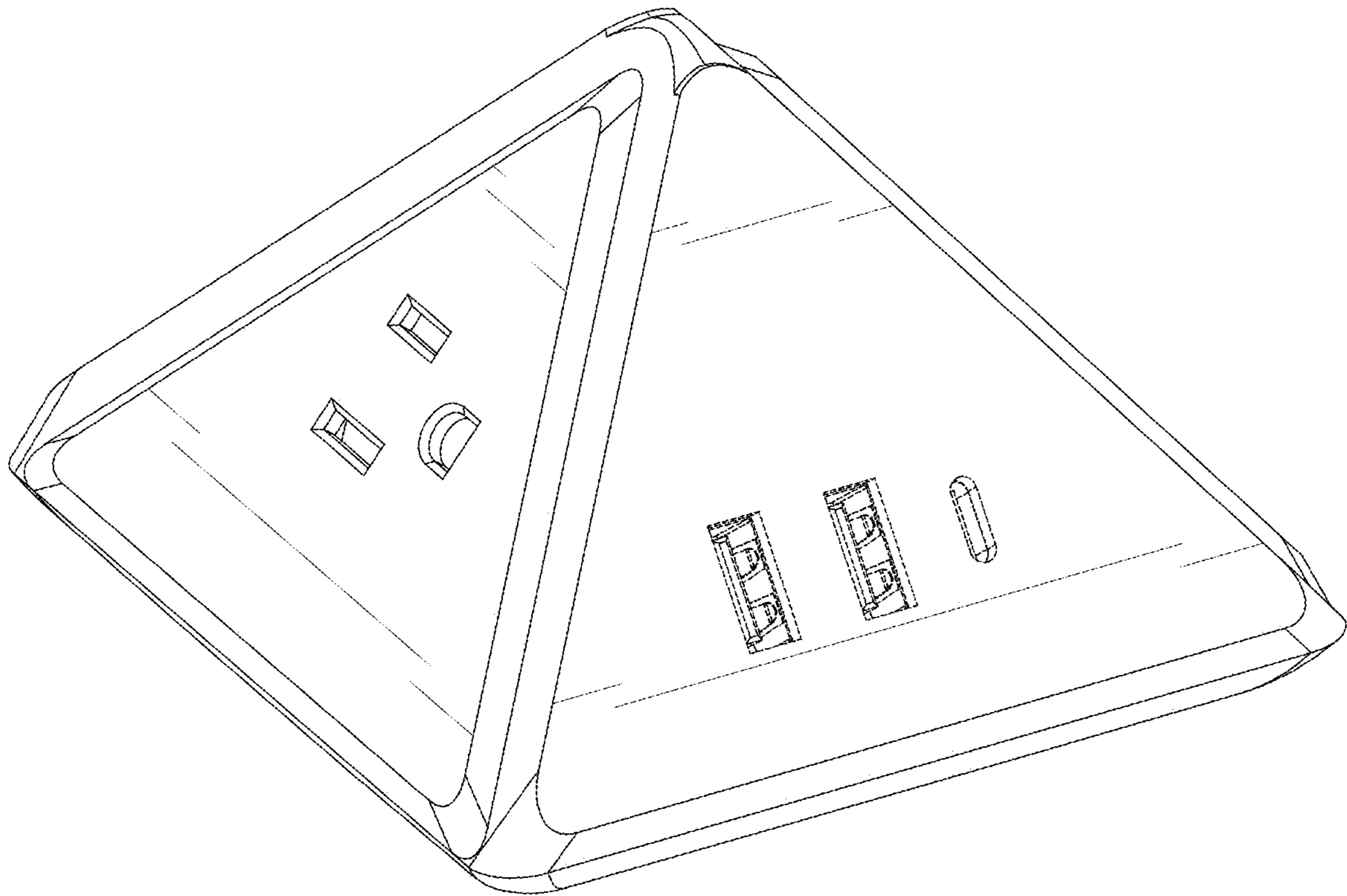


FIG. 7

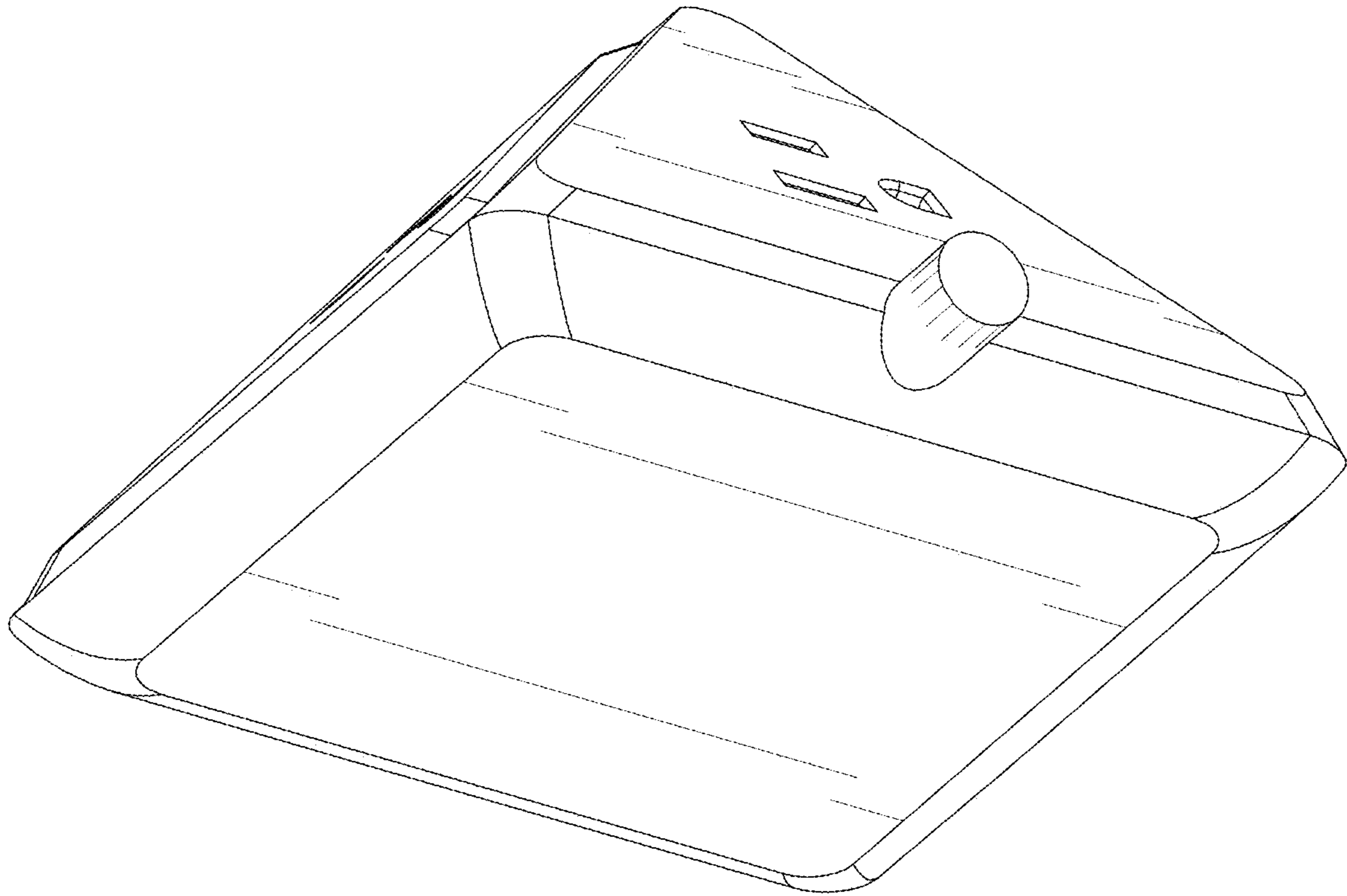


FIG. 8