



US00D968333S

(12) **United States Design Patent**
Pan et al.

(10) **Patent No.:** **US D968,333 S**
(45) **Date of Patent:** **** Nov. 1, 2022**

(54) **PLUG ADAPTER**

(71) Applicant: **Shenzhen Intellirocks Tech Co., Ltd.**,
Shenzhen (CN)

(72) Inventors: **Jinyu Pan**, Shenzhen (CN); **Wenlong Wu**, Shenzhen (CN)

(73) Assignee: **Shenzhen Intellirocks Tech Co., Ltd.**,
Shenzhen (CN)

(**) Term: **15 Years**

(21) Appl. No.: **29/774,979**

(22) Filed: **Mar. 19, 2021**

(51) **LOC (13) Cl.** **13-03**

(52) **U.S. Cl.**
USPC **D13/137.3**

(58) **Field of Classification Search**
USPC ... D13/123, 133, 137.1, 137.2, 137.3, 137.4,
D13/138.1, 138.2, 139.1, 139.2, 139.3,
D13/139.4, 139.5, 139.6, 139.7, 139.8,
D13/151, 152, 153, 154, 155, 156, 157,
D13/158, 159, 184, 199, 103, 107, 108
CPC H01R 13/00; H01R 13/03; H01R 13/04;
H01R 13/10; H01R 13/35; H01R 13/44;
H01R 13/453; H01R 13/4534; H01R
13/502; H01R 13/514; H01R 13/631;
H01R 13/639; H01R 13/6633; H01R
13/6666; H01R 13/6675; H01R 13/7135;
H01R 31/02; H01R 31/06; H01R 31/065
See application file for complete search history.

(56) **References Cited**

U.S. PATENT DOCUMENTS

D808,339 S *	1/2018	Page	D13/139.4
D820,212 S *	6/2018	Stern	D13/137.2
D845,900 S *	4/2019	Liu	D13/137.2
D848,948 S *	5/2019	Wei	D13/137.2
D849,686 S *	5/2019	Byrne	D13/137.2
D851,597 S *	6/2019	Ding	D13/137.2

D867,996 S *	11/2019	Chen	D13/137.2
D874,403 S *	2/2020	Canizares	D13/137.2
D883,217 S *	5/2020	Zheng	D13/137.1
D902,862 S *	11/2020	Rupert	D13/137.1
D902,864 S *	11/2020	Turksu	D13/137.1

(Continued)

FOREIGN PATENT DOCUMENTS

JP D1688681 * 6/2021

OTHER PUBLICATIONS

“Smart Plug Extender, Dual WiFi Outlet Works with Alexa and Google Home, Surge Protector Mini Socket Plug-in Remote Control and Timer Function, ETL FCC Listed, 2.4G Wi-Fi Only, 10A 1200W, 2-Pack, White”, first available Nov. 26, 2021. Amazon.com [https://www.amazon.com/dp/B09MLSYH19] (Year: 2021).*

(Continued)

Primary Examiner — Rosemary K Tarcza
Assistant Examiner — Seth David Kumpf
(74) *Attorney, Agent, or Firm* — ScienBiziP, P.C.

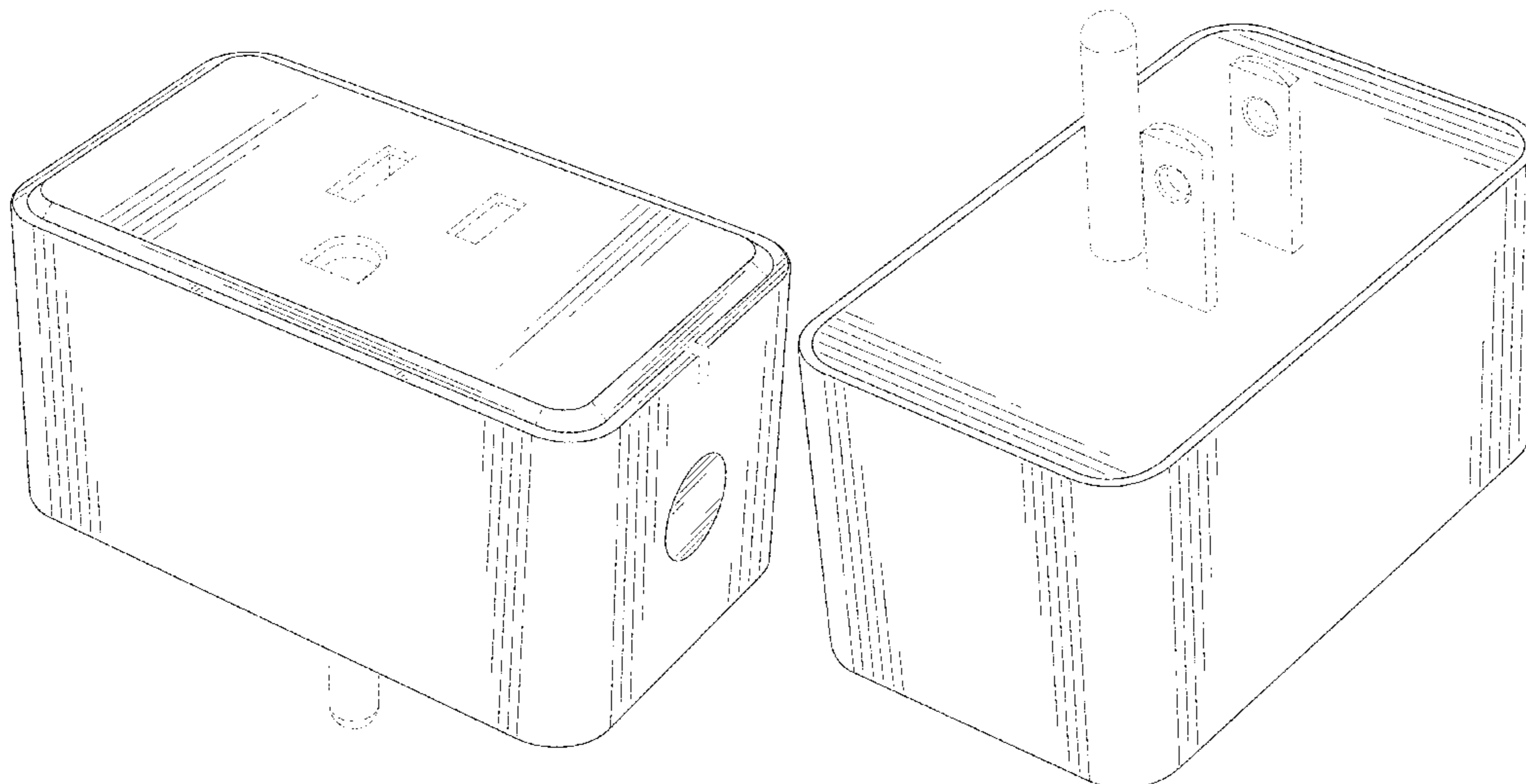
(57) **CLAIM**

The ornamental design for a plug adapter, as shown and described.

DESCRIPTION

FIG. 1 is a front, right, and bottom perspective view of a plug adapter, showing my design.
FIG. 2 is a rear, left, and top perspective view thereof.
FIG. 3 is a front elevation view thereof.
FIG. 4 is a rear elevation view thereof.
FIG. 5 is a left side elevation view thereof.
FIG. 6 is a right side elevation view thereof.
FIG. 7 is a top plan view thereof; and,
FIG. 8 is a bottom plan view thereof.
The broken lines shown in the drawings are included for the purpose of illustrating portions of the plug adapter that form no part of the claimed design.

1 Claim, 8 Drawing Sheets



(56)

References Cited

U.S. PATENT DOCUMENTS

D903,601	S	*	12/2020	Tseng	D13/137.2
D911,969	S	*	3/2021	Canizares	D13/137.2
D923,576	S	*	6/2021	Lyu	D13/137.2
D930,591	S	*	9/2021	Rupert	D13/137.1
D934,177	S	*	10/2021	Canizares	D13/137.2
D946,532	S	*	3/2022	Fu	D13/137.2
D948,428	S	*	4/2022	Li	D13/108

OTHER PUBLICATIONS

“Kasa Smart Plug HS103P2, Smart Home Wi-Fi Outlet Works with Alexa, Echo, Google Home & IFTTT, No Hub Required, Remote Control, 15 Amp, UL Certified, 2-Pack White”, first available Mar. 6, 2018. Amazon.com [<https://www.amazon.com/dp/B07B8W2KHZ>] (Year: 2018).*

“Kasa Smart Plug Mini 15A, Smart Home Wi-Fi Outlet Works with Alexa, Google Home & IFTTT, No Hub Required, UL Certified, 2.4G WiFi Only, 4-Pack(EP10P4), White”, first available Apr. 16, 2021. Amazon.com [<https://www.amazon.com/dp/B091FXLMS8>] (Year: 2021).*

“Amazon Smart Plug, for home automation, Works with Alexa-A Certified for Humans Device”, first accessed Apr. 14, 2022. Amazon.com [<https://www.amazon.com/dp/B089DR29T6>] (Year: 2022).*

* cited by examiner

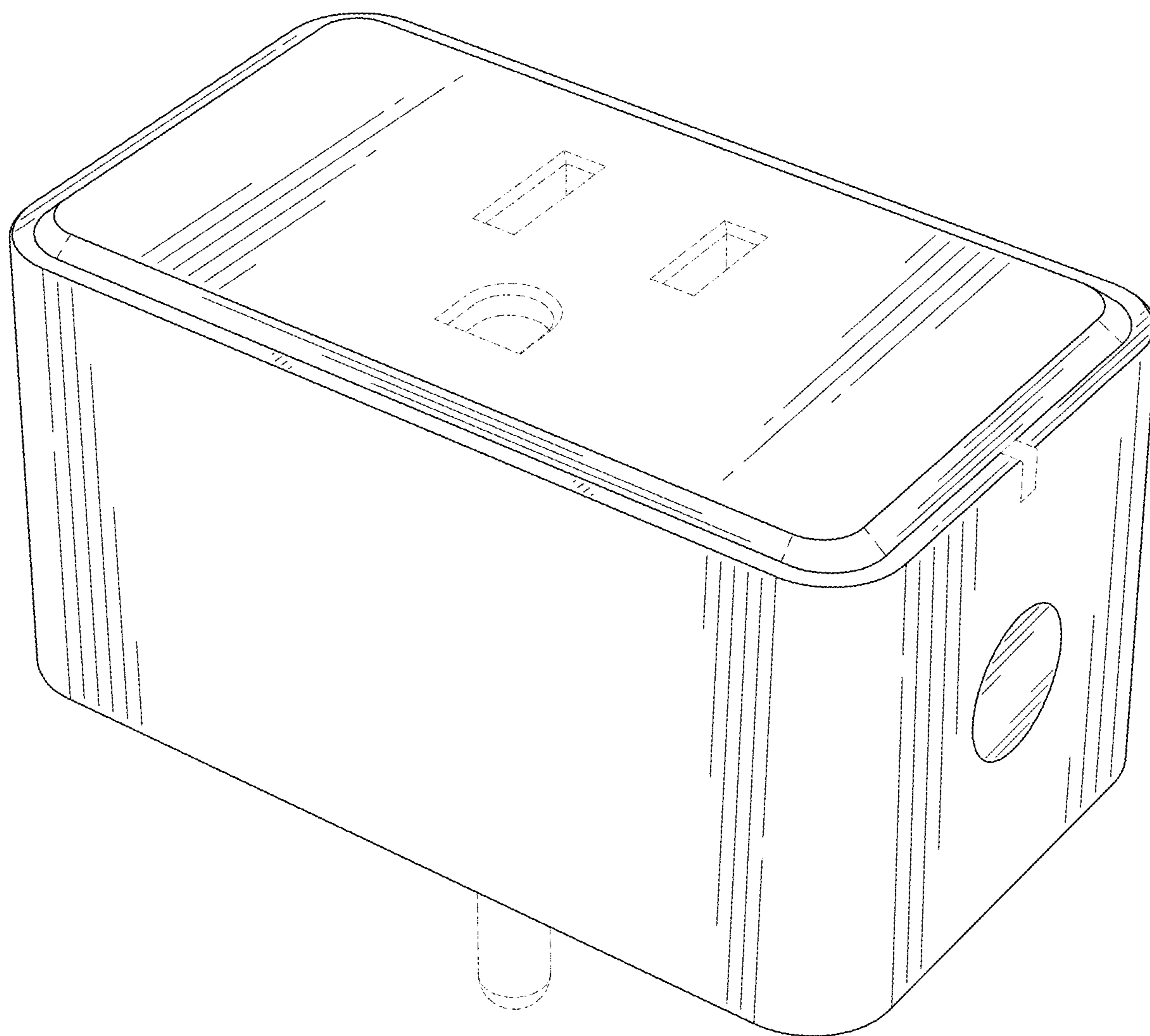


FIG. 1

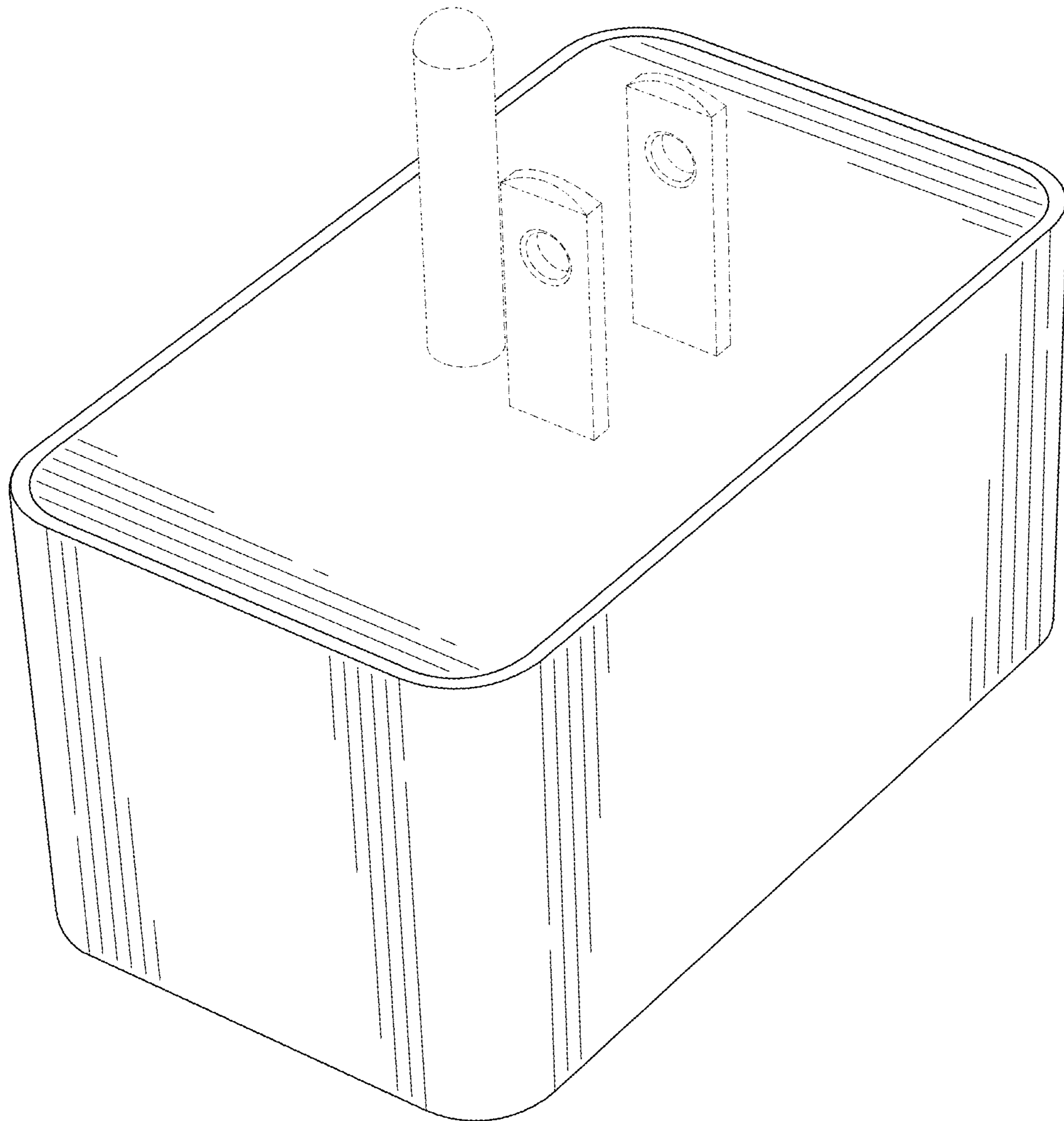


FIG. 2

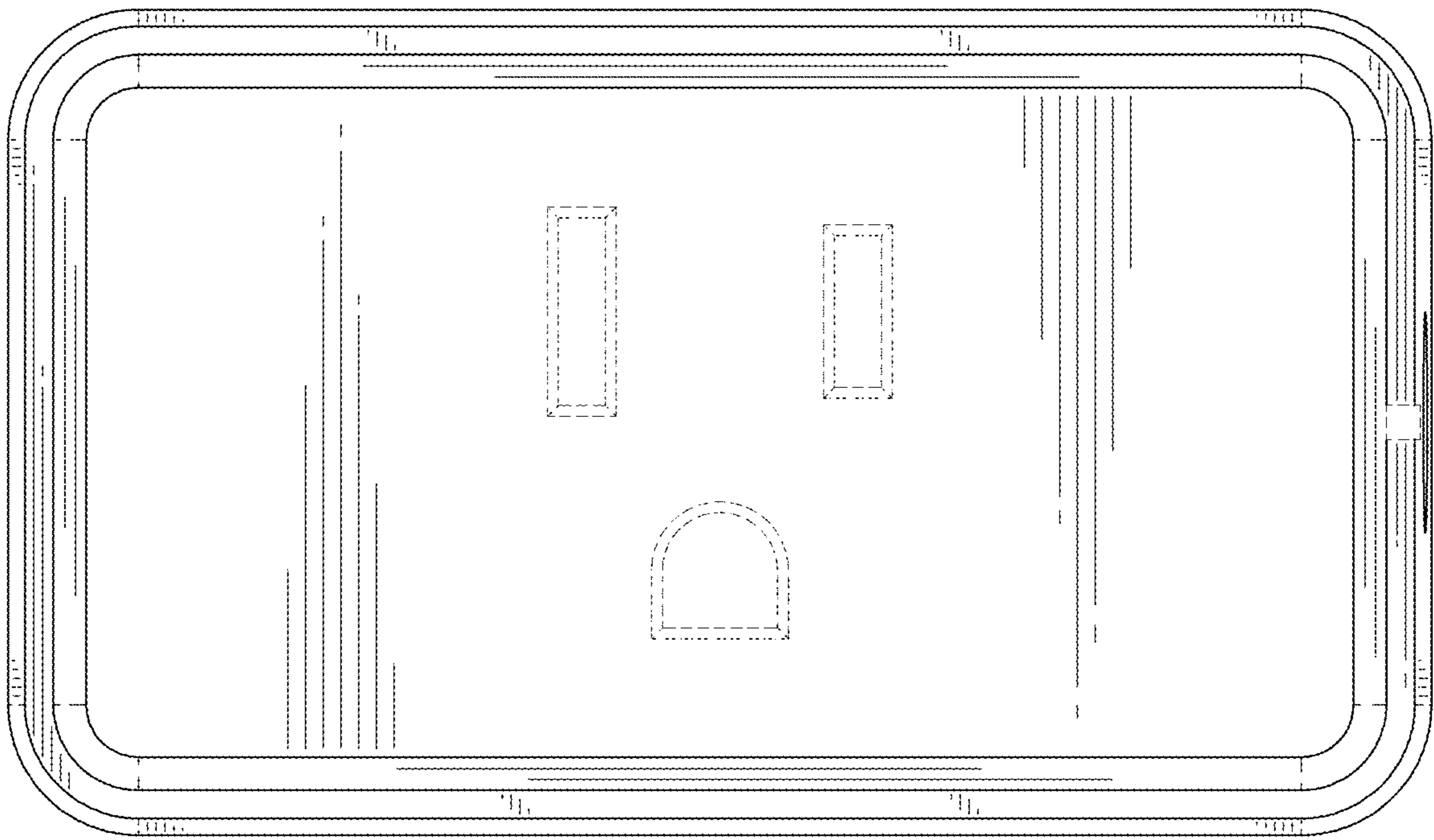


FIG. 3

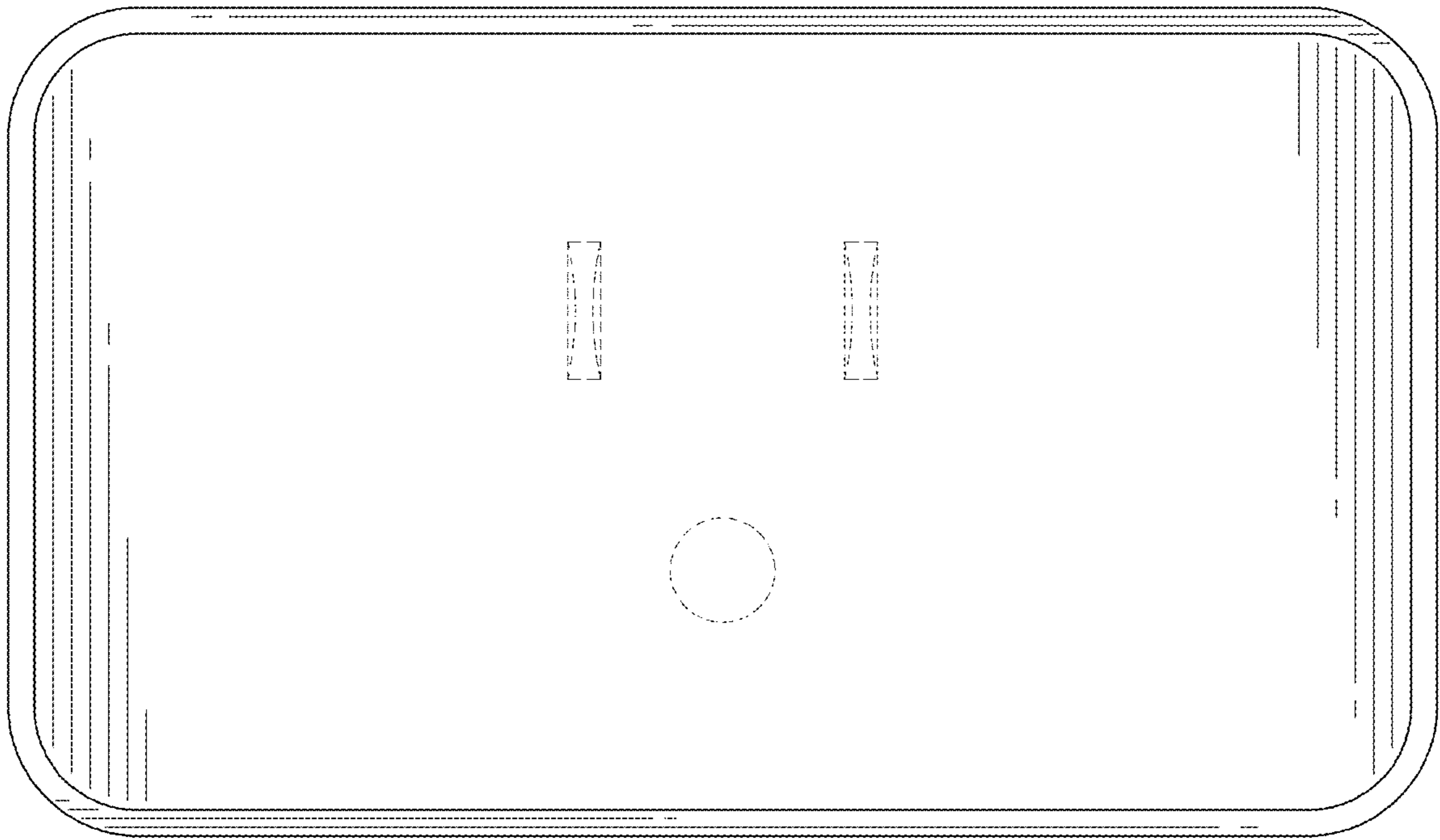


FIG. 4

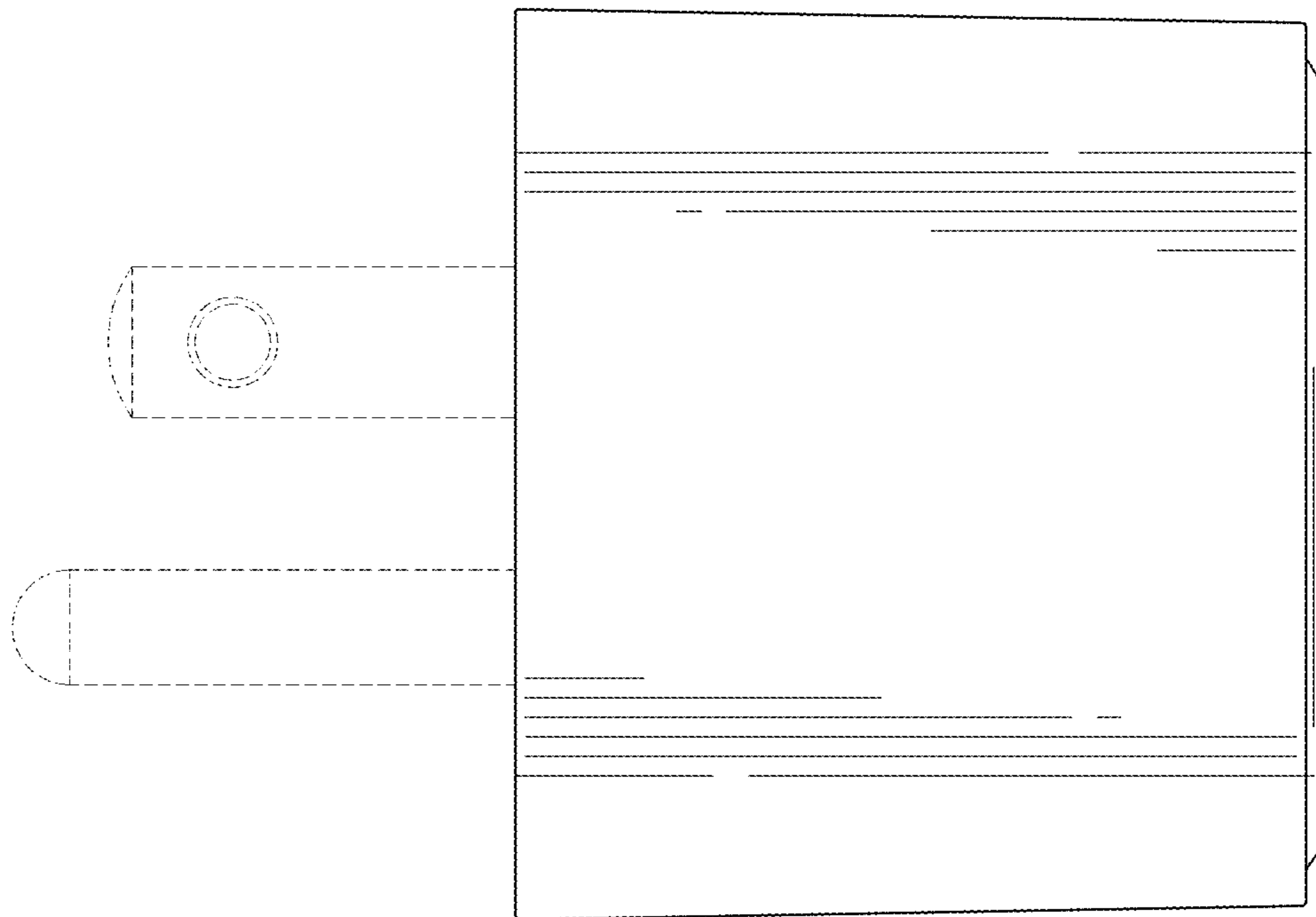


FIG. 5

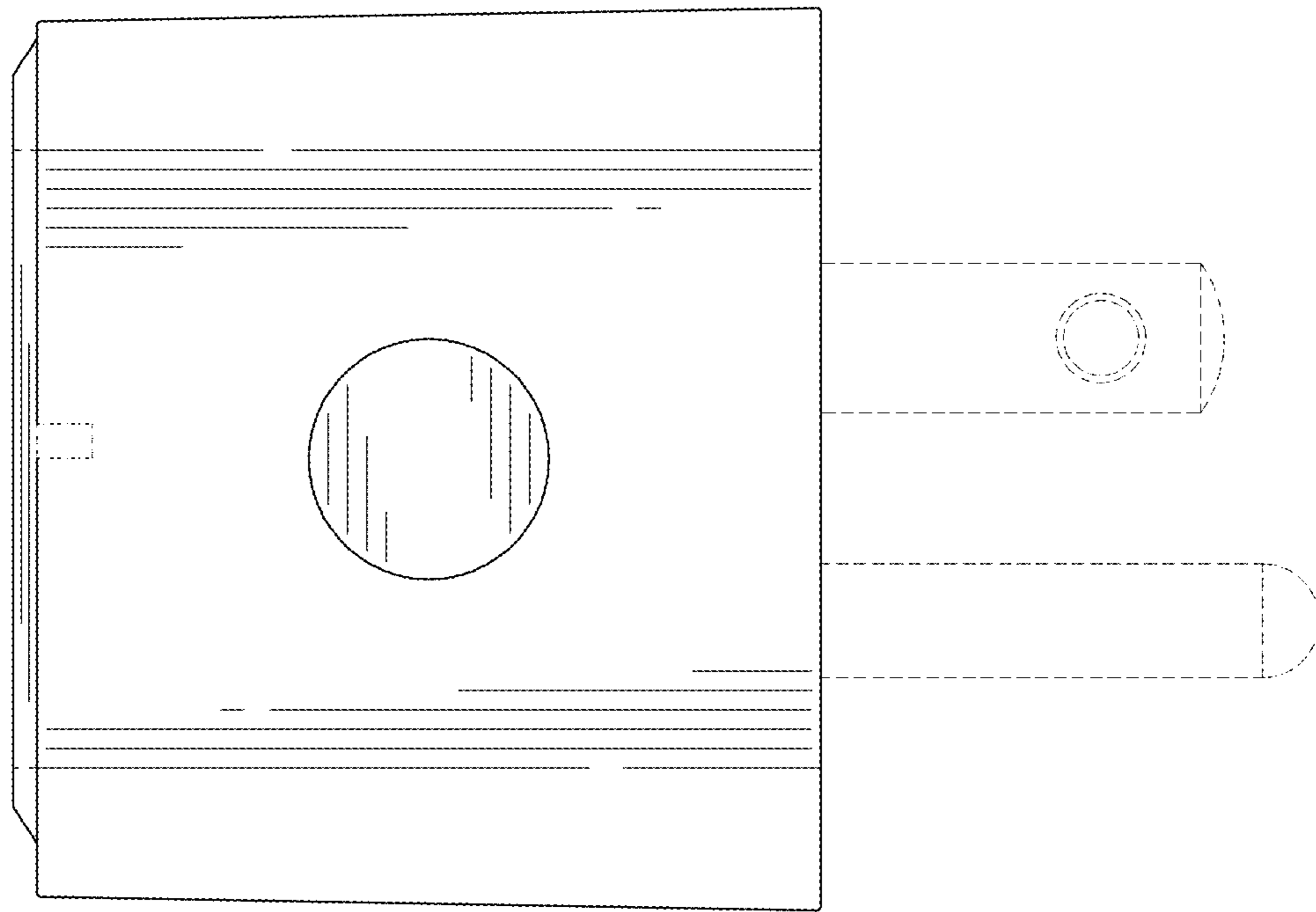


FIG. 6

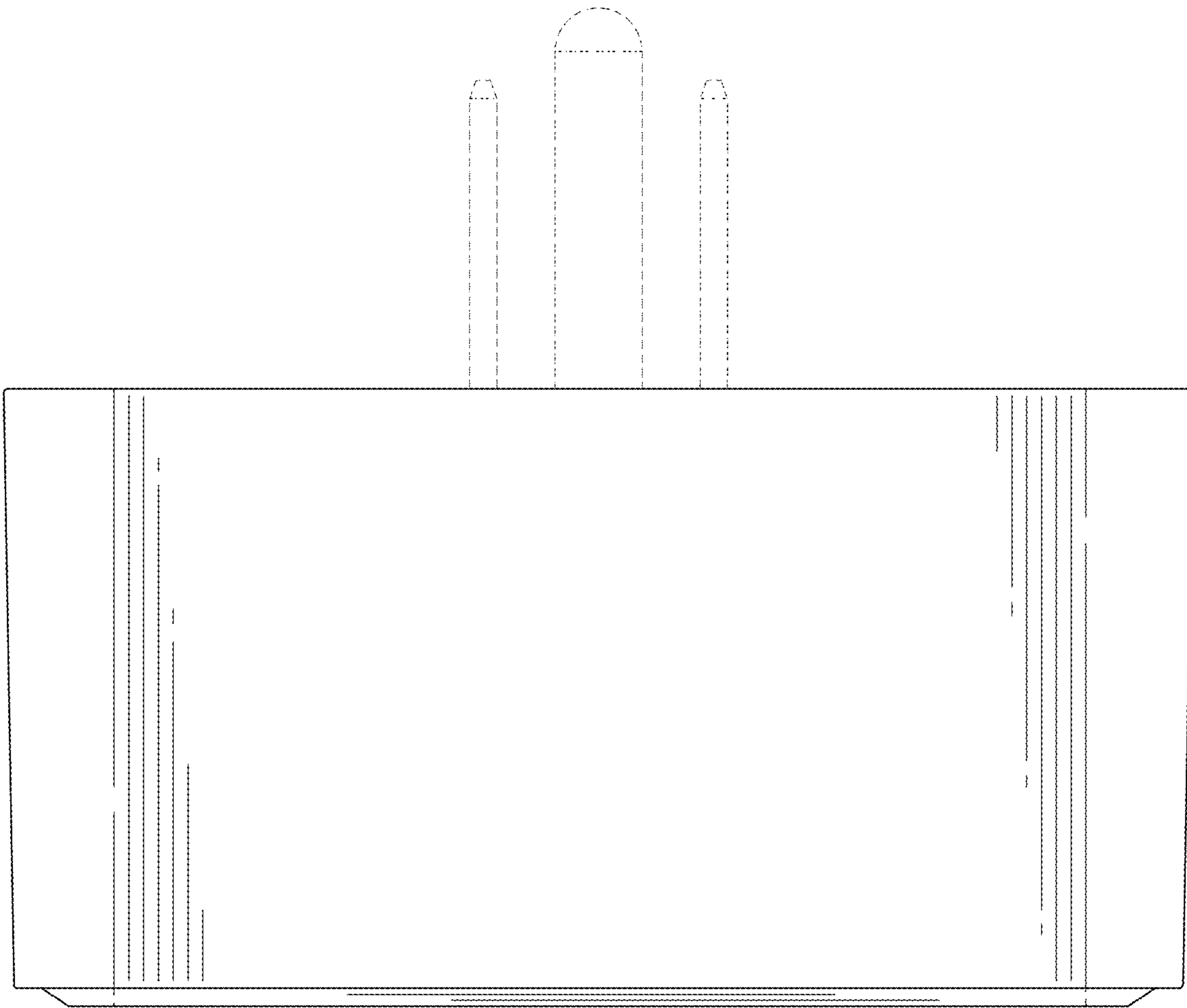


FIG. 7

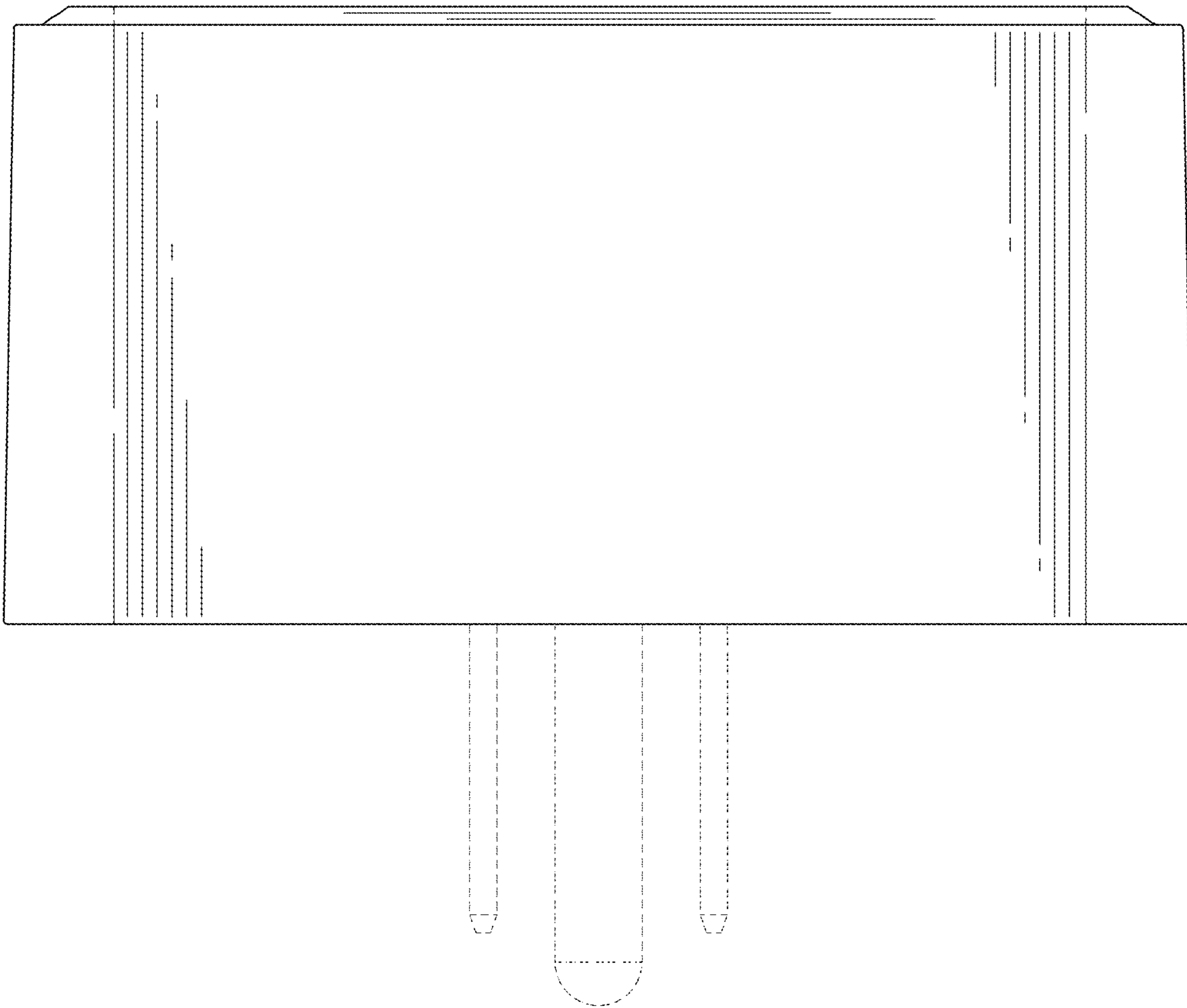


FIG. 8