



US00D968331S

(12) **United States Design Patent**
Zhang

(10) **Patent No.:** **US D968,331 S**
(45) **Date of Patent:** **** Nov. 1, 2022**

(54) **POWER ADAPTER**

D661,649 S * 6/2012 Andre D13/110
D711,824 S * 8/2014 Matsuoka D13/110
D732,472 S * 6/2015 Laffon D13/110

(71) Applicant: **Shenzhen Yigood Technology Co., Ltd.**, Shenzhen (CN)

(Continued)

(72) Inventor: **Meiling Zhang**, Shenzhen (CN)

FOREIGN PATENT DOCUMENTS

(73) Assignee: **SHENZHEN YIGOOD TECHNOLOGY CO., LTD.**, Shenzhen (CN)

CN 304800289 * 9/2018
CN 304834413 * 9/2018

(Continued)

(**) Term: **15 Years**

OTHER PUBLICATIONS

(21) Appl. No.: **29/814,901**

“USB C Charger, Anker 32W 2 Port Charger with 20W USB C Power Adapter, PowerPort PD 2 with Foldable Plug for iPad/iPad Mini, for iPhone 13/13 Mini/13 Pro/13 Pro Max/12/11, Pixel, Galaxy, and More”, first available Oct. 29, 2020. Amazon.com [https://www.amazon.com/dp/B08M5C86NL] (Year: 2020).*

(22) Filed: **Nov. 10, 2021**

(Continued)

(30) **Foreign Application Priority Data**

Nov. 2, 2021 (CN) 202130717071.4

(51) **LOC (13) Cl.** **13-02**

Primary Examiner — Rosemary K Tarcza
Assistant Examiner — Seth David Kumpf

(52) **U.S. Cl.**
USPC **D13/110**

(57) **CLAIM**

(58) **Field of Classification Search**
USPC D13/107, 108, 110, 137.1, 137.2, 137.3, D13/137.4, 138.1, 138.2, 139.1, 139.2, D13/139.3, 139.4, 139.5, 139.6, 139.7, D13/139.8; D14/432, 433, 435.1, 438
CPC H01R 13/20; H01R 13/26; H01R 13/434; H01R 13/625; H01R 13/642; H01R 13/652; H01R 13/11; H01R 13/518; H01R 25/003; H01R 25/006; H01R 43/26; H01H 71/62; H01H 73/14
See application file for complete search history.

The ornamental design for a power adapter, as shown and described.

DESCRIPTION

(56) **References Cited**

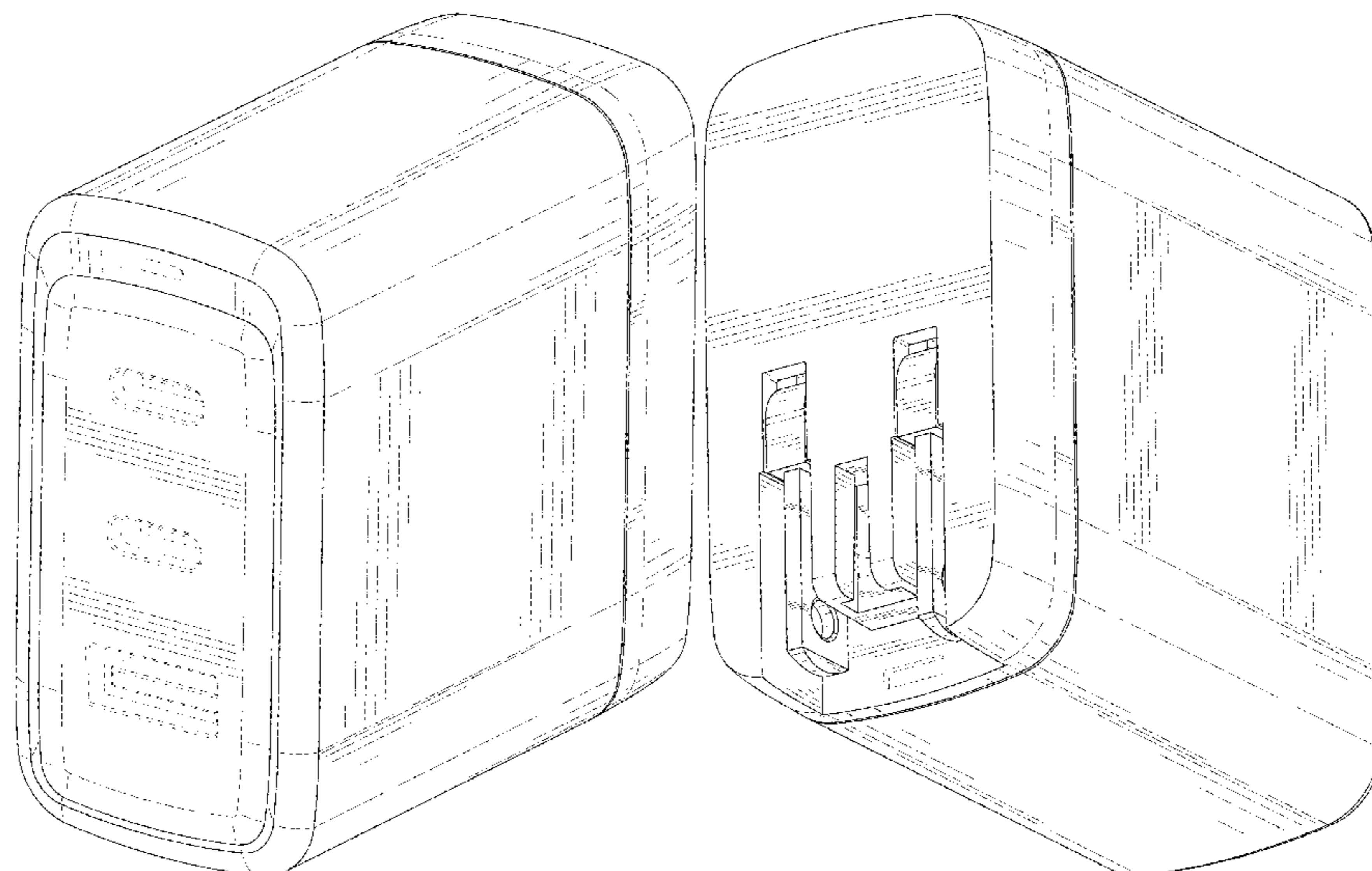
U.S. PATENT DOCUMENTS

D478,310 S * 8/2003 Andre D13/110
D478,546 S * 8/2003 Andre D13/110
D658,123 S * 4/2012 Andre D13/110

FIG. 1 is a perspective view of a power adapter showing my new design;
FIG. 2 is another perspective view thereof;
FIG. 3 is a front elevational view thereof;
FIG. 4 is a rear elevational view thereof;
FIG. 5 is a left side elevational view thereof;
FIG. 6 is a right side elevational view thereof;
FIG. 7 is a top plan view thereof;
FIG. 8 is a bottom plan view thereof; and,
FIG. 9 is a perspective view showing the power adapter in a use state.

The broken lines in the drawings are for the purpose of illustrating portions of the power adapter that form no part of the claimed design.

1 Claim, 9 Drawing Sheets



(56)

References Cited

U.S. PATENT DOCUMENTS

D734,259	S	*	7/2015	Cepress	D13/110
D819,566	S	*	6/2018	Hung	D13/110
D820,209	S	*	6/2018	Lemelson	D13/110
D823,801	S		7/2018	Ouyang		
D910,556	S		2/2021	Huang et al.		
D942,388	S	*	2/2022	Li	D13/108
2014/0199871	A1	*	7/2014	Liu	H01R 31/065 439/312

FOREIGN PATENT DOCUMENTS

CN	306540949	*	5/2021
JP	D1670670	*	10/2020
KR	301160303.0000	*	4/2022

OTHER PUBLICATIONS

“Anker PowerPort III 2-Port 100W Charger PIQ 3.0 Ultra-Powerful Fast Charger, USB C Charger for MacBook Pro/Air, iPad Pro, iPhone 13/12/11, Galaxy/Note, Pixel and More (Cable Not Included)”, first available Jul. 23, 2021. Amazon.com [<https://www.amazon.com/dp/B09B33D76V>] (Year: 2021).*

“Ugreen Nexode 100W USB C Wall Charger—4-Port GaN PD Fast Charger USB-C Power Adapter Compatible with MacBook Pro/Air, Dell XPS. iPad Mini/Pro. iPhone 13/13 Pro Max/iPhone 12, Galaxy S22/S21. Pixel”, first available Apr. 7, 2021. Amazon.com [<https://www.amazon.com/dp/B091Z6JNX4>] (Year: 2021).*

“INVZI 100W USB C Multiport Charger, GaN III 4-Port USB Charging Station Fast Charger Power Adapter for MacBook Pro Air, iPad Pro, Dell XPS, Galaxy S21/S20, iPhone 13 12/12 Pro, Note 20/10+, Pixel”, first available Aug. 3, 2021. Amazon.com [<https://www.amazon.com/dp/B09BQ63NG1>] (Year: 2021).*

* cited by examiner

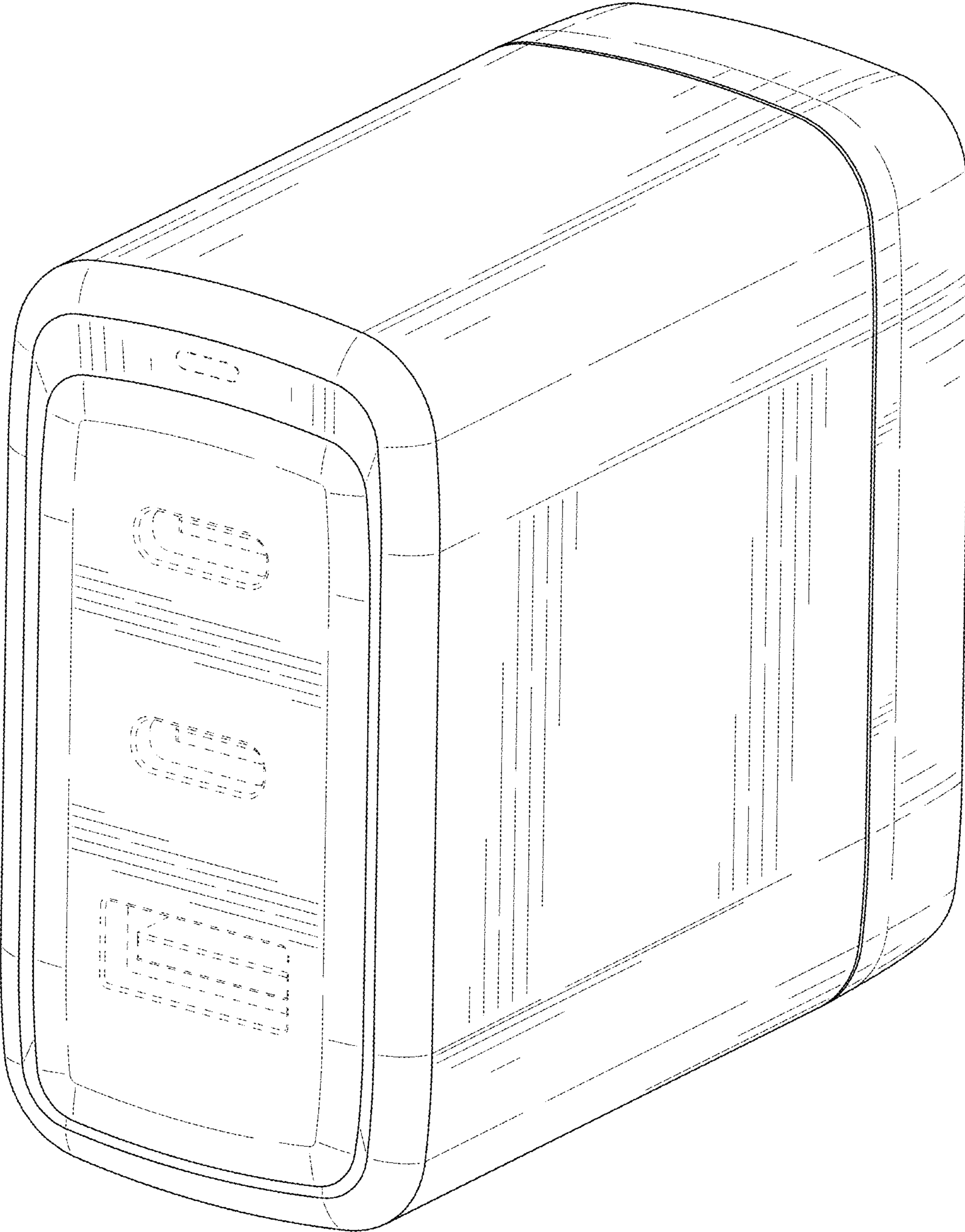


FIG. 1

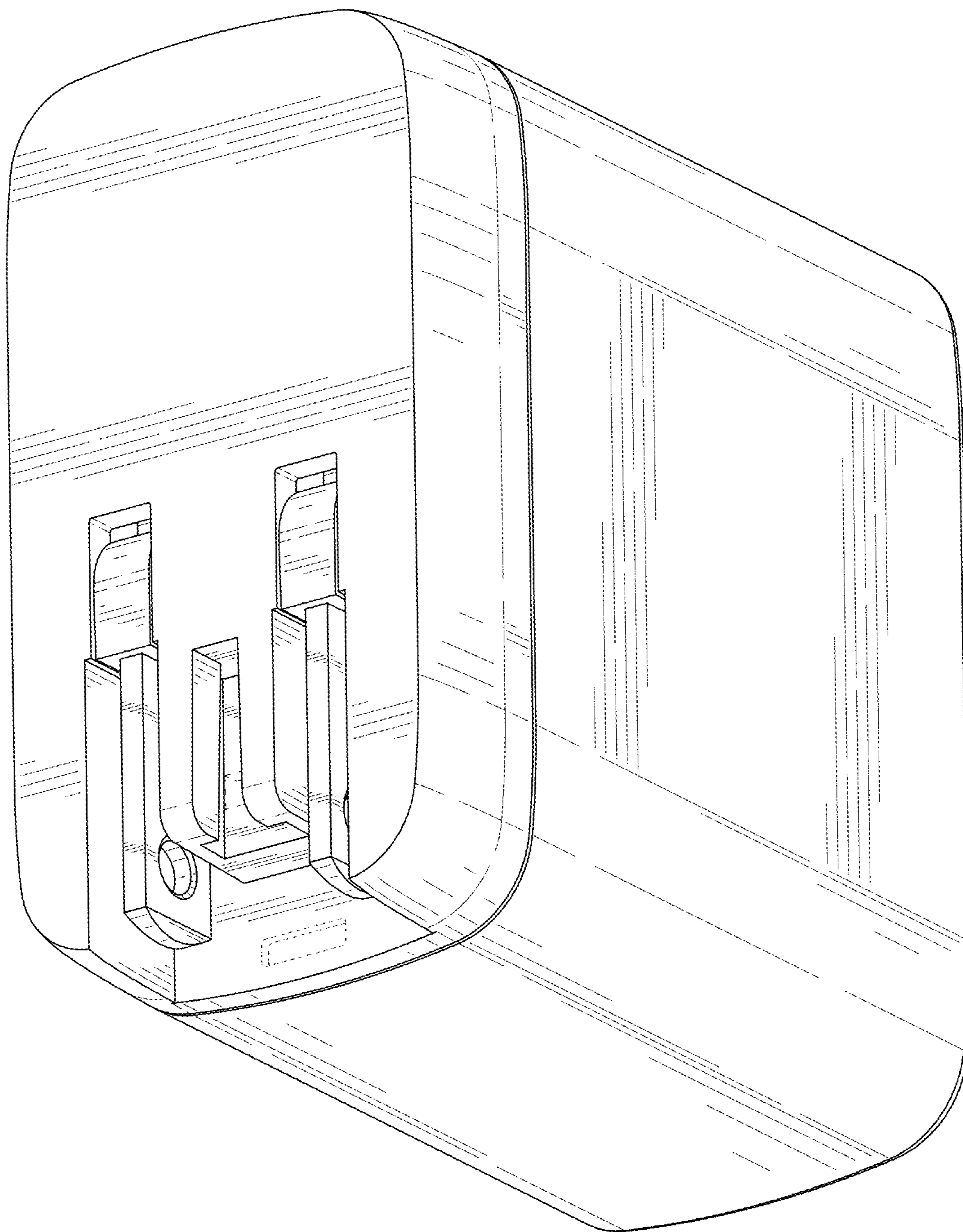


FIG. 2

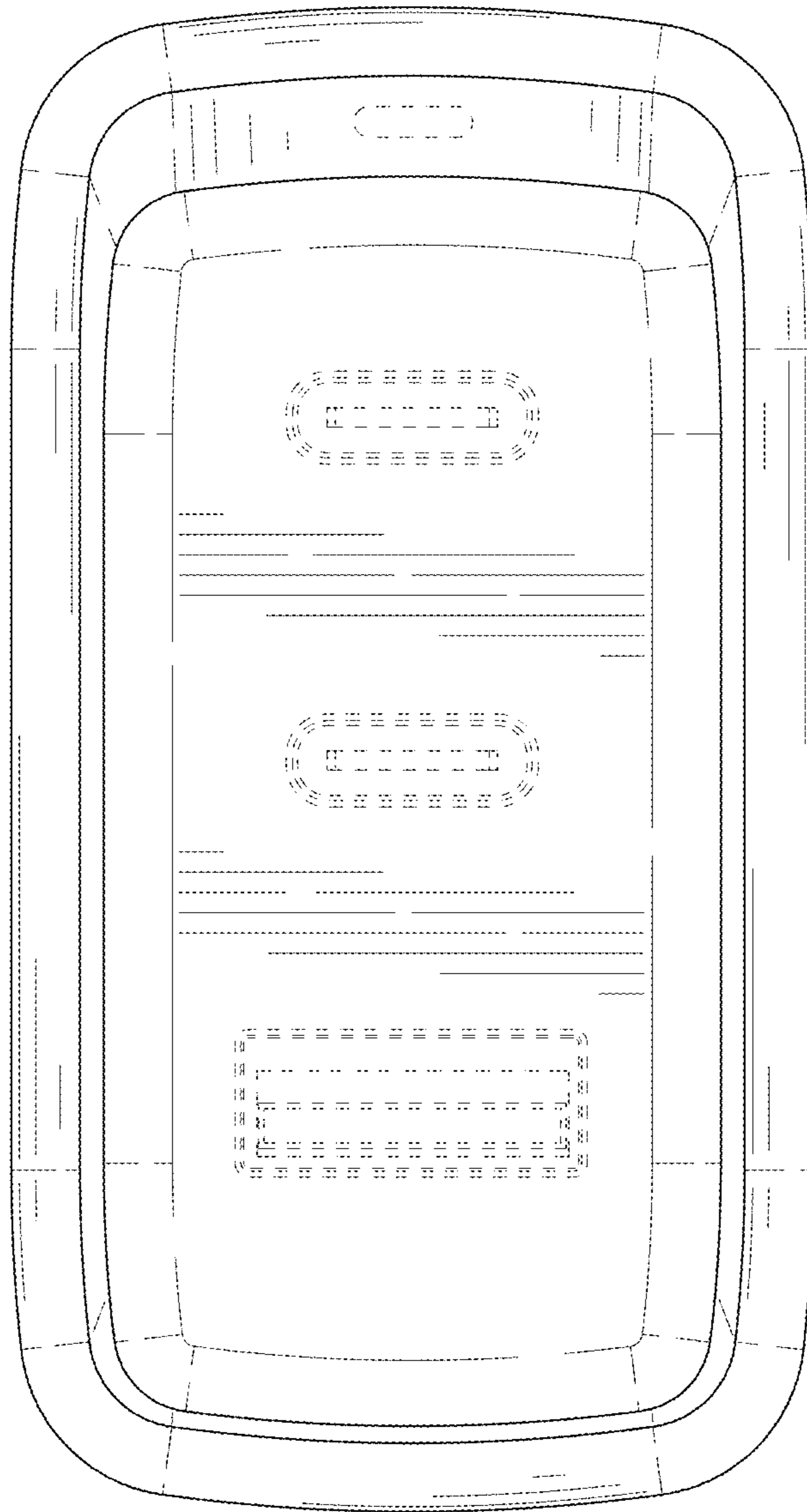


FIG. 3

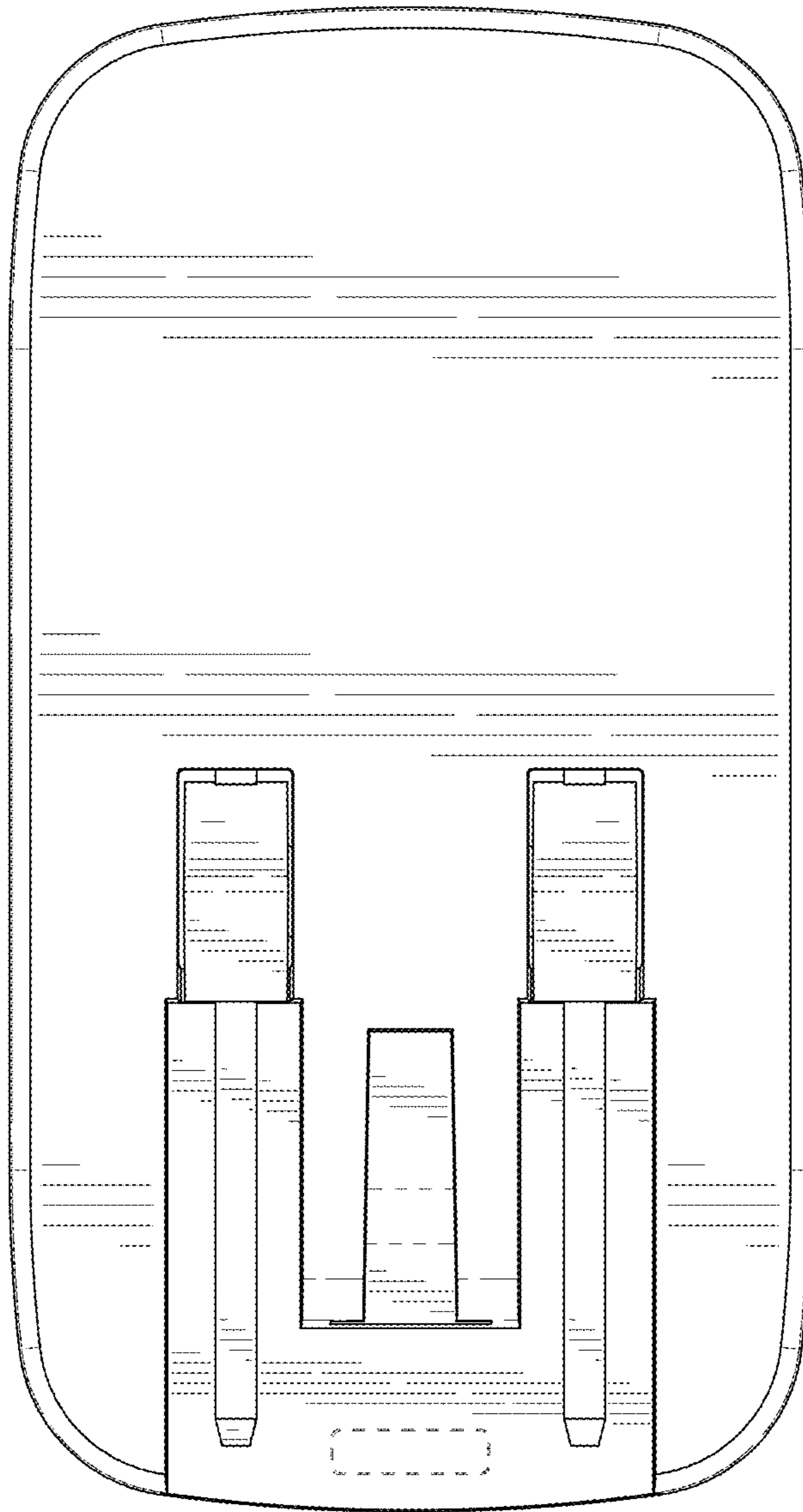


FIG. 4

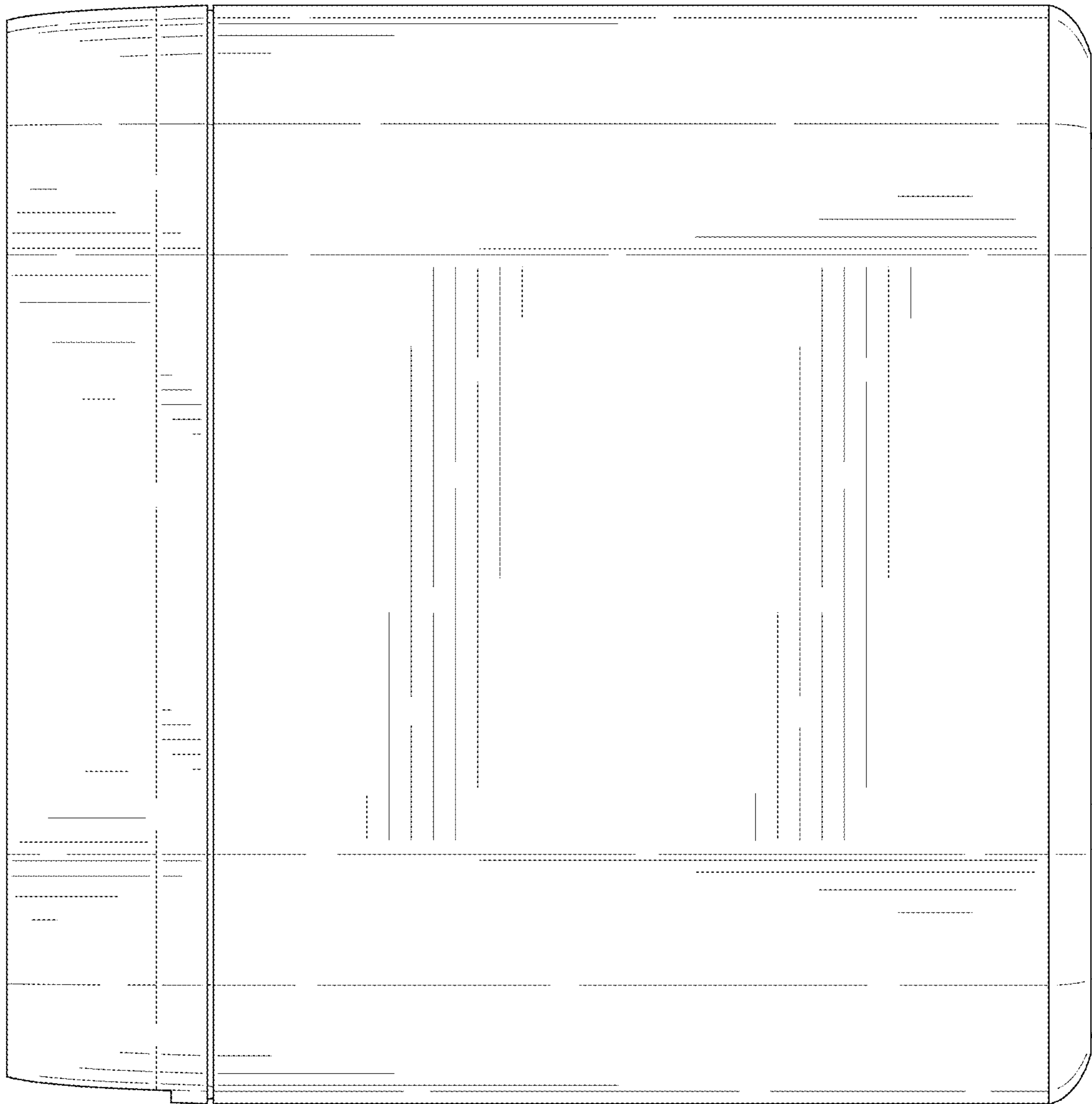


FIG. 5

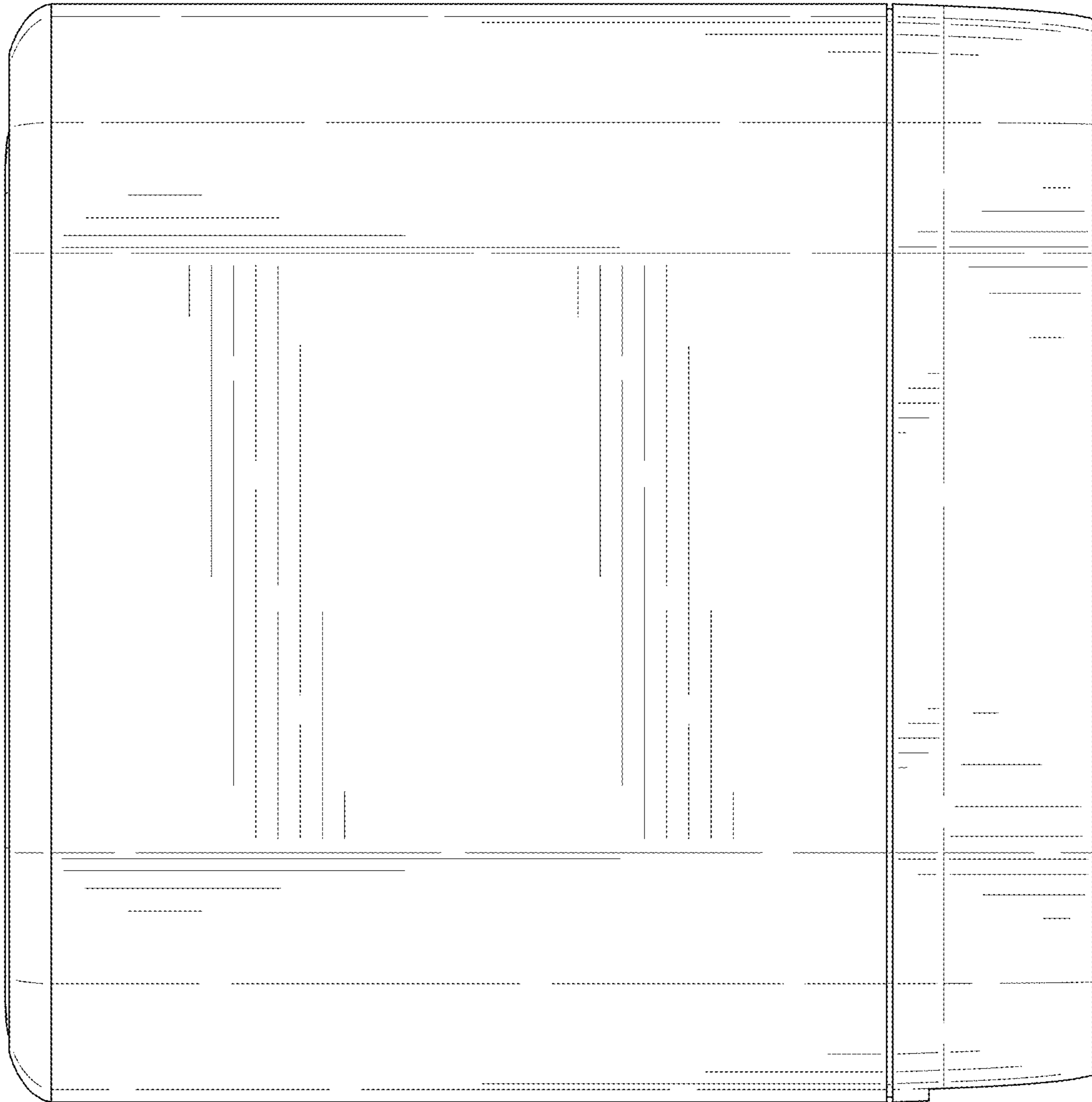


FIG. 6

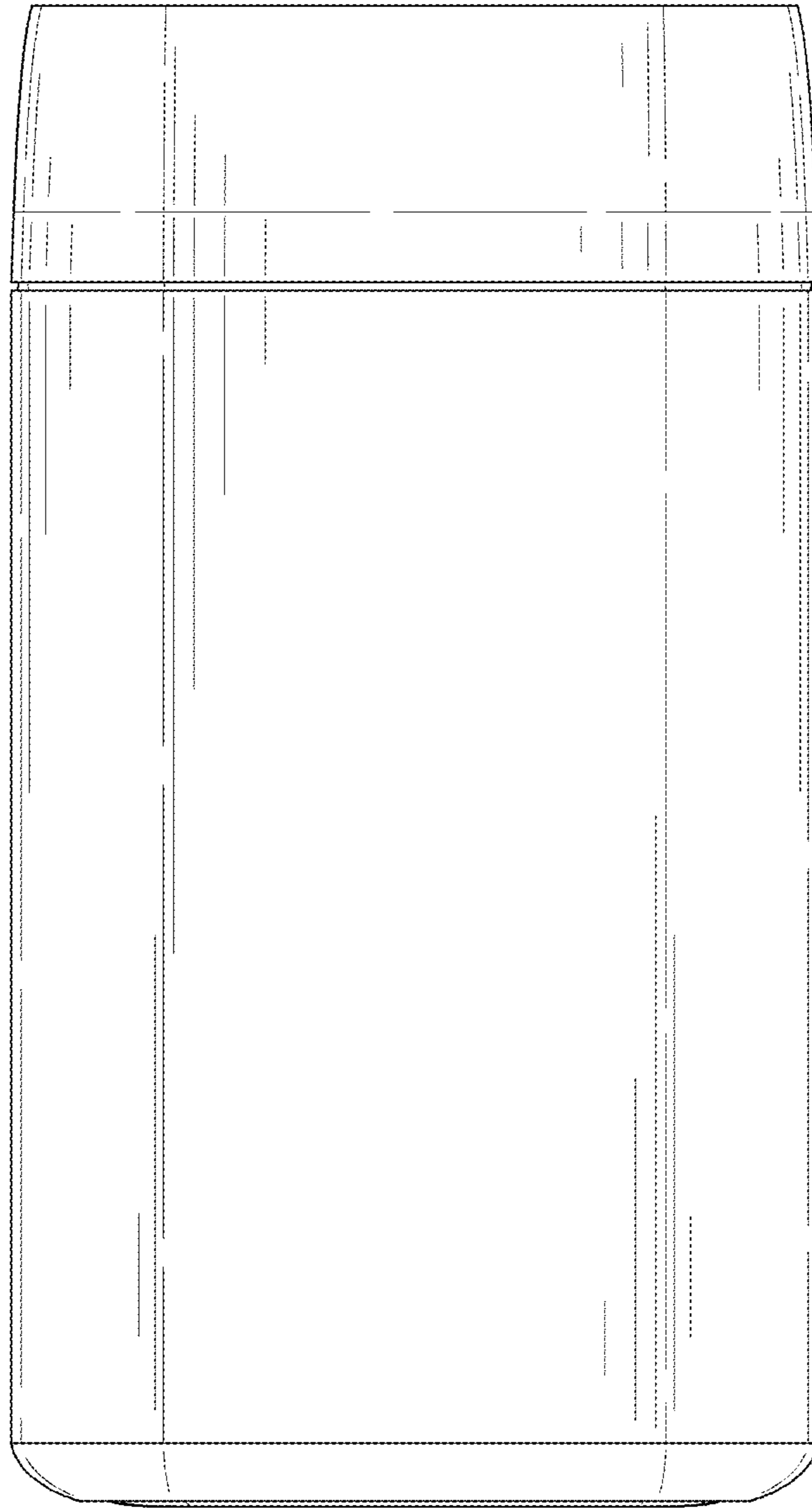


FIG. 7

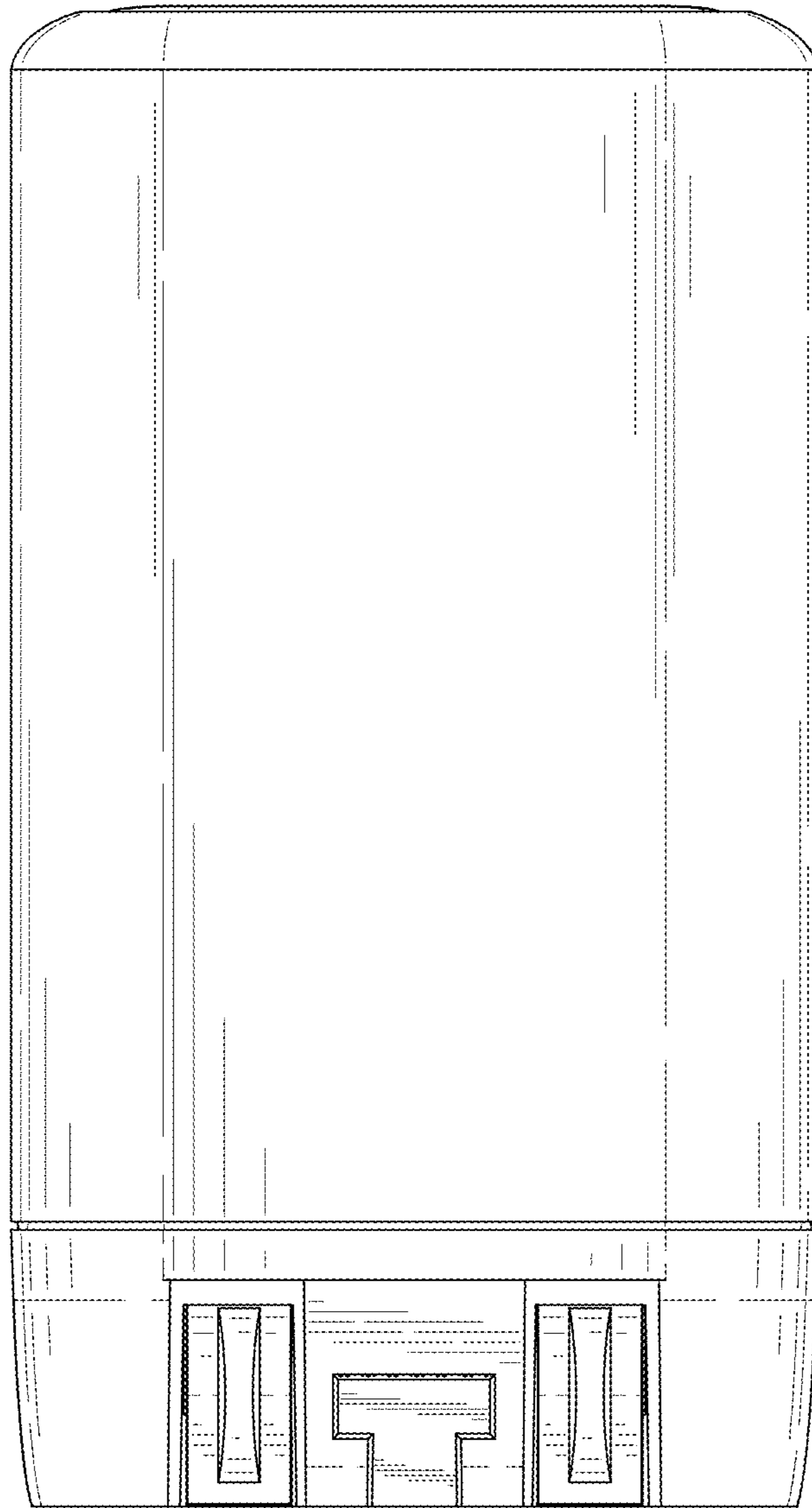


FIG. 8

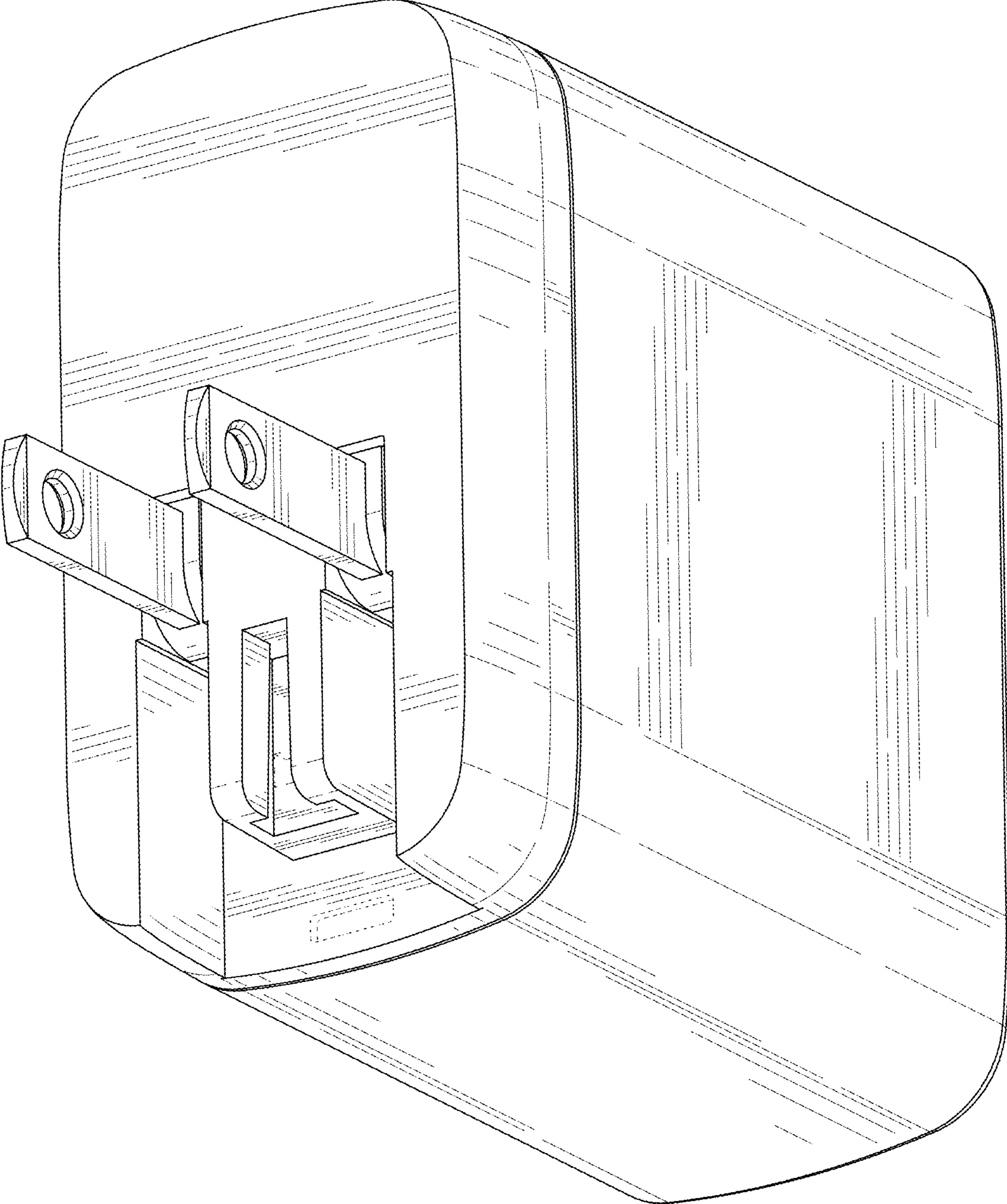


FIG. 9