



US00D968329S

(12) **United States Design Patent** (10) **Patent No.:** **US D968,329 S**
Wang (45) **Date of Patent:** **** Nov. 1, 2022**

(54) **WIRELESS MINI POWER SUPPLY**

(71) Applicant: **HAWINK INC**, Denver, CO (US)

(72) Inventor: **Quanyu Wang**, Yiwu (CN)

(73) Assignee: **Hawink Inc**, Denver, CO (US)

(**) Term: **15 Years**

(21) Appl. No.: **29/679,977**

(22) Filed: **Feb. 12, 2019**

(30) **Foreign Application Priority Data**

Jan. 18, 2019 (CN) 201930027493.1

(51) **LOC (13) Cl.** **13-02**

(52) **U.S. Cl.**
USPC **D13/110**

(58) **Field of Classification Search**
USPC D13/102, 103, 106–108, 110, 112, 114,
D13/116, 118–119, 184, 199
CPC H02J 7/0042; H02J 7/0044; H02J 7/0045;
H02J 7/0047; H02J 7/0003; H02J
7/00047; H02J 7/0013; H02J 7/0027;
H02J 1/122; H02J 7/00; B60R 16/033;
H01M 10/44; H01M 10/46; A61M 37/00
See application file for complete search history.

(56) **References Cited**

U.S. PATENT DOCUMENTS

D570,772	S	*	6/2008	Mahaffey	D13/110
D737,763	S	*	9/2015	Capriola	D13/110
D960,085	S	*	8/2022	Siciliano	D13/103
D960,097	S	*	8/2022	Chen	D13/110
11,406,807	B2	*	8/2022	Smead	A61M 37/0076
2017/0173319	A1	*	6/2017	McGuire	A61M 37/0076
2018/0043146	A1	*	2/2018	Vescovi	A61M 37/0076
2020/0306519	A1	*	10/2020	Smead	H02J 7/0047
2021/0402162	A1	*	12/2021	Siciliano	H02J 7/00038

OTHER PUBLICATIONS

“Hawink Wireless Mini Tattoo Battery Dedicated 3.7V Lithium Battery 1600mAh, 3 Hours Continuous Power Supply P199-DC”, Amazon.com, first available on Mar. 3, 2019. <<https://www.amazon.com/Hawink-Wireless-Dedicated-Continuous-Interface/dp/B07PCL6ZBV/>>. (Year: 2019).*

* cited by examiner

Primary Examiner — Rosemary K Tarcza

(74) *Attorney, Agent, or Firm* — Bay State IP, LLC

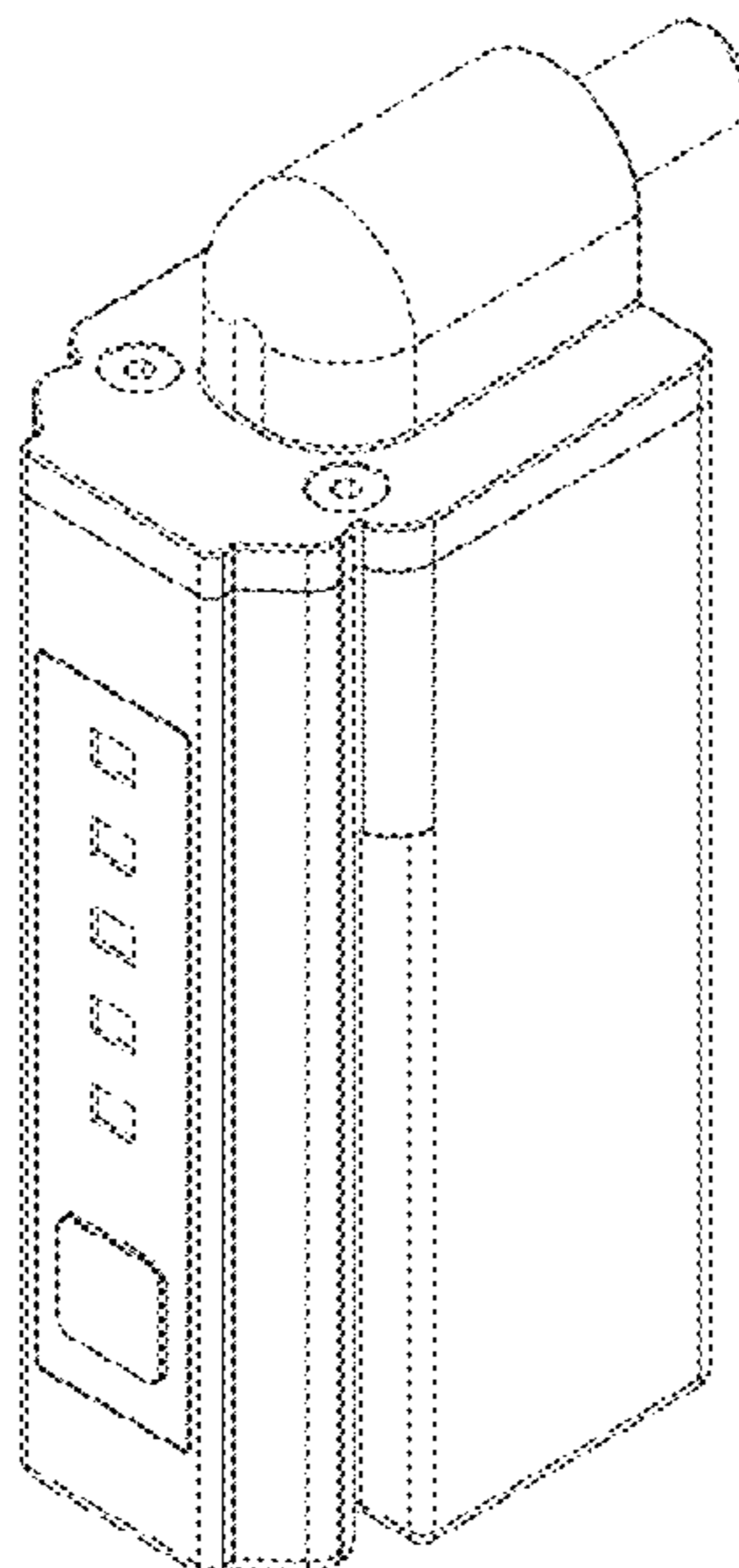
(57) **CLAIM**

The ornamental design for a wireless mini power supply, as shown and described.

DESCRIPTION

FIG. 1 is a front perspective view of the wireless mini power supply showing my new design;
FIG. 2 is a back perspective view thereof;
FIG. 3 is a front view thereof;
FIG. 4 is a back view thereof;
FIG. 5 is a top view thereof;
FIG. 6 is a bottom view thereof;
FIG. 7 is a left side view thereof;
FIG. 8 is a right side view thereof;
FIG. 9 is a front perspective view of the wireless mini power supply showing my new design;
FIG. 10 is a back perspective view thereof;
FIG. 11 is a front view thereof;
FIG. 12 is a back view thereof;
FIG. 13 is a top view thereof;
FIG. 14 is a bottom view thereof;
FIG. 15 is a left side view thereof; and,
FIG. 16 is a right side view thereof.
The broken lines shown in the drawings depict portions of the wireless mini power supply that form no part of the claimed design.

1 Claim, 16 Drawing Sheets



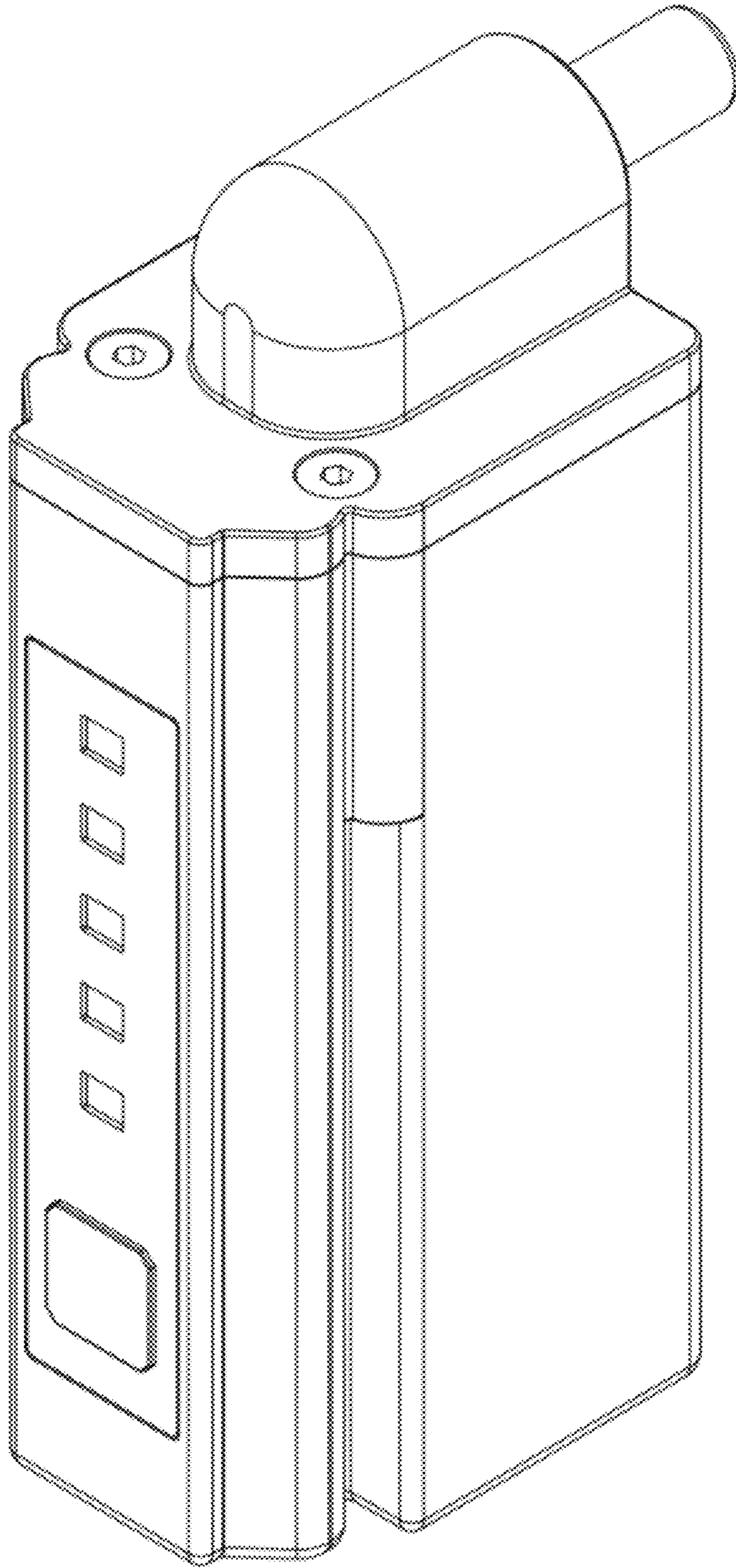


FIG. 1

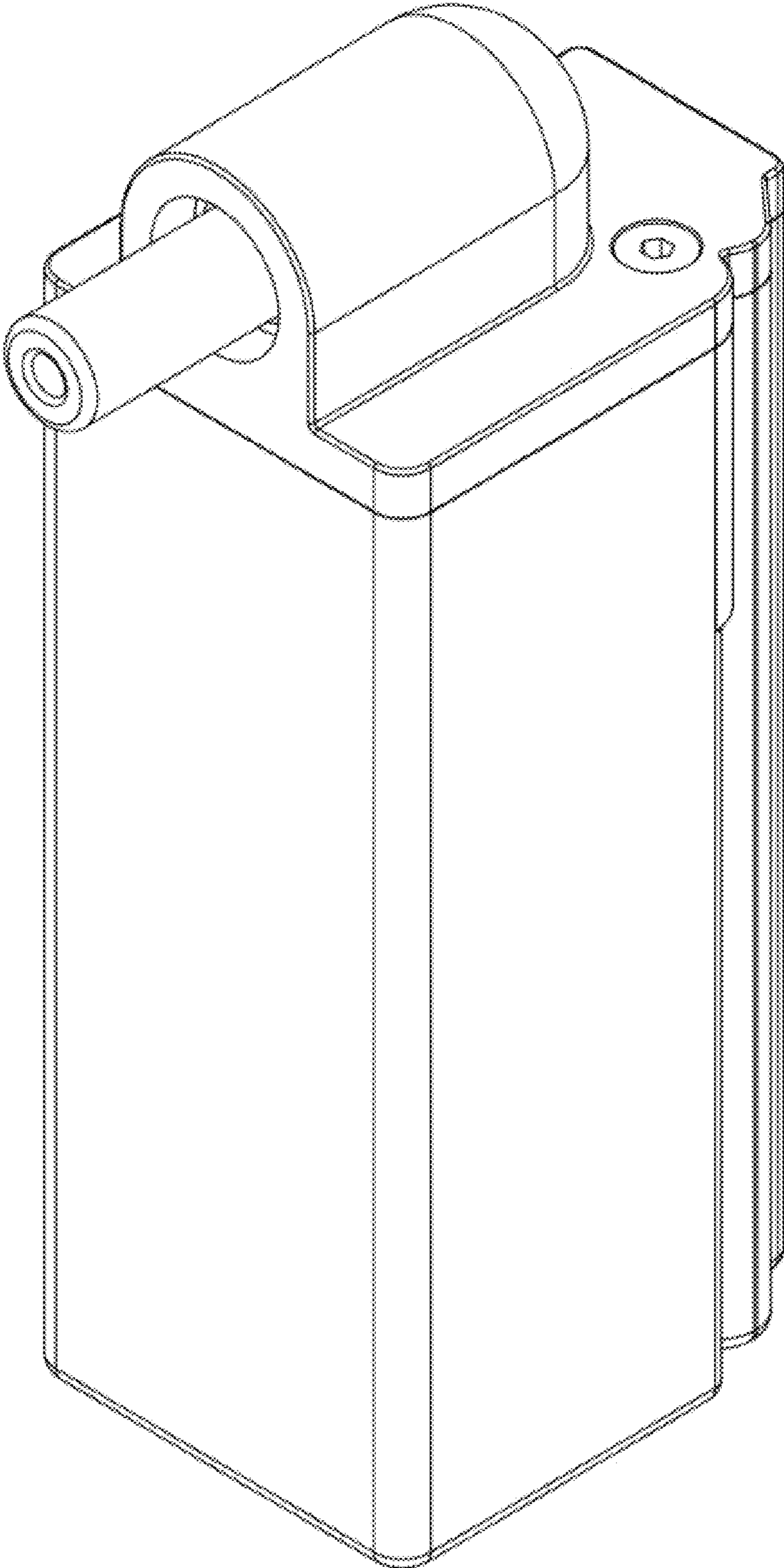


FIG. 2

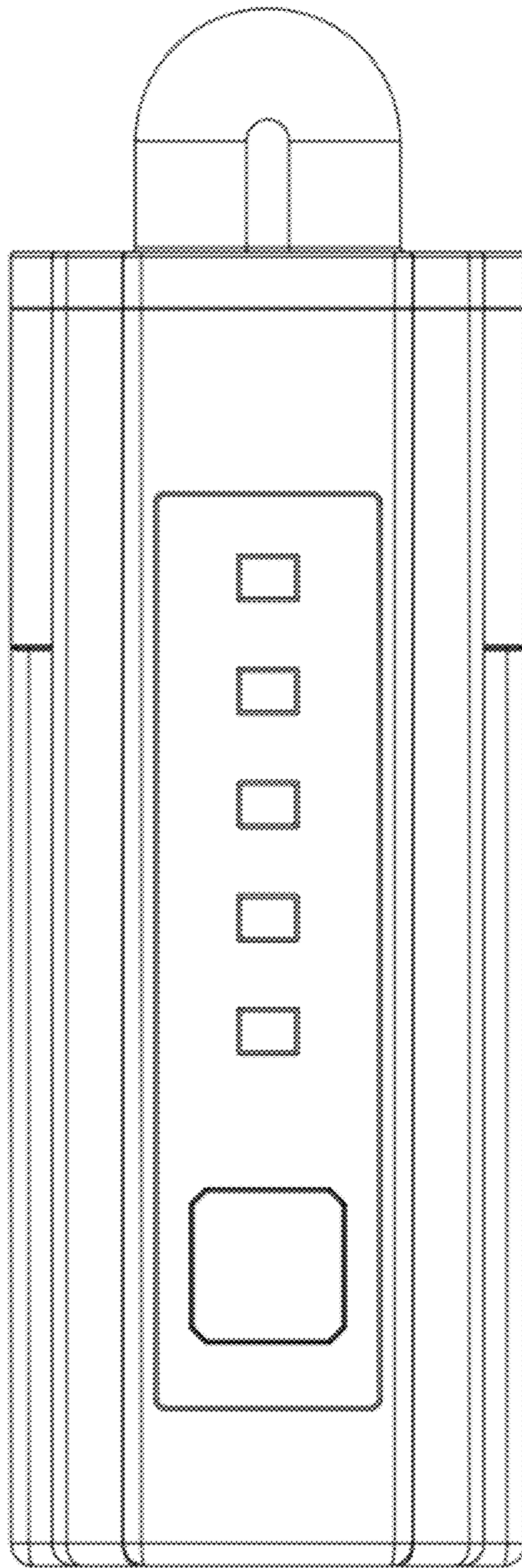


FIG. 3

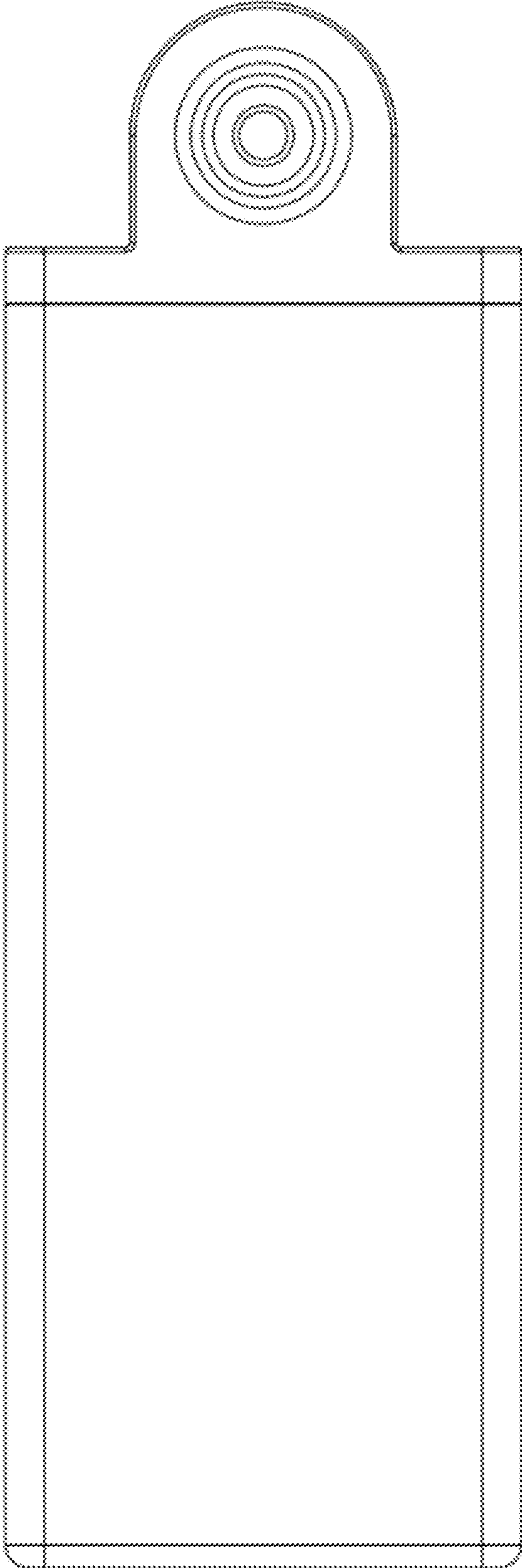


FIG. 4

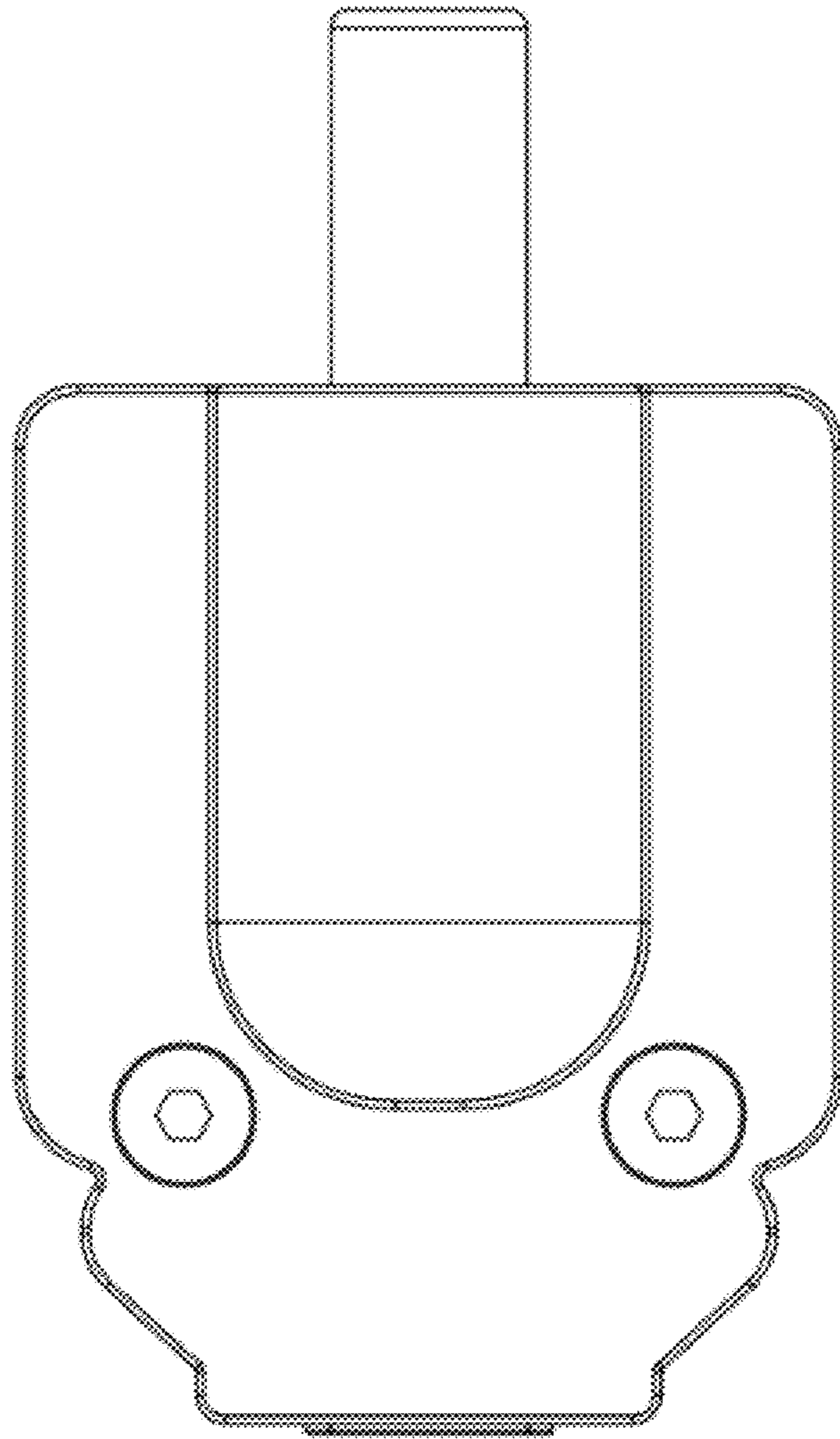


FIG. 5

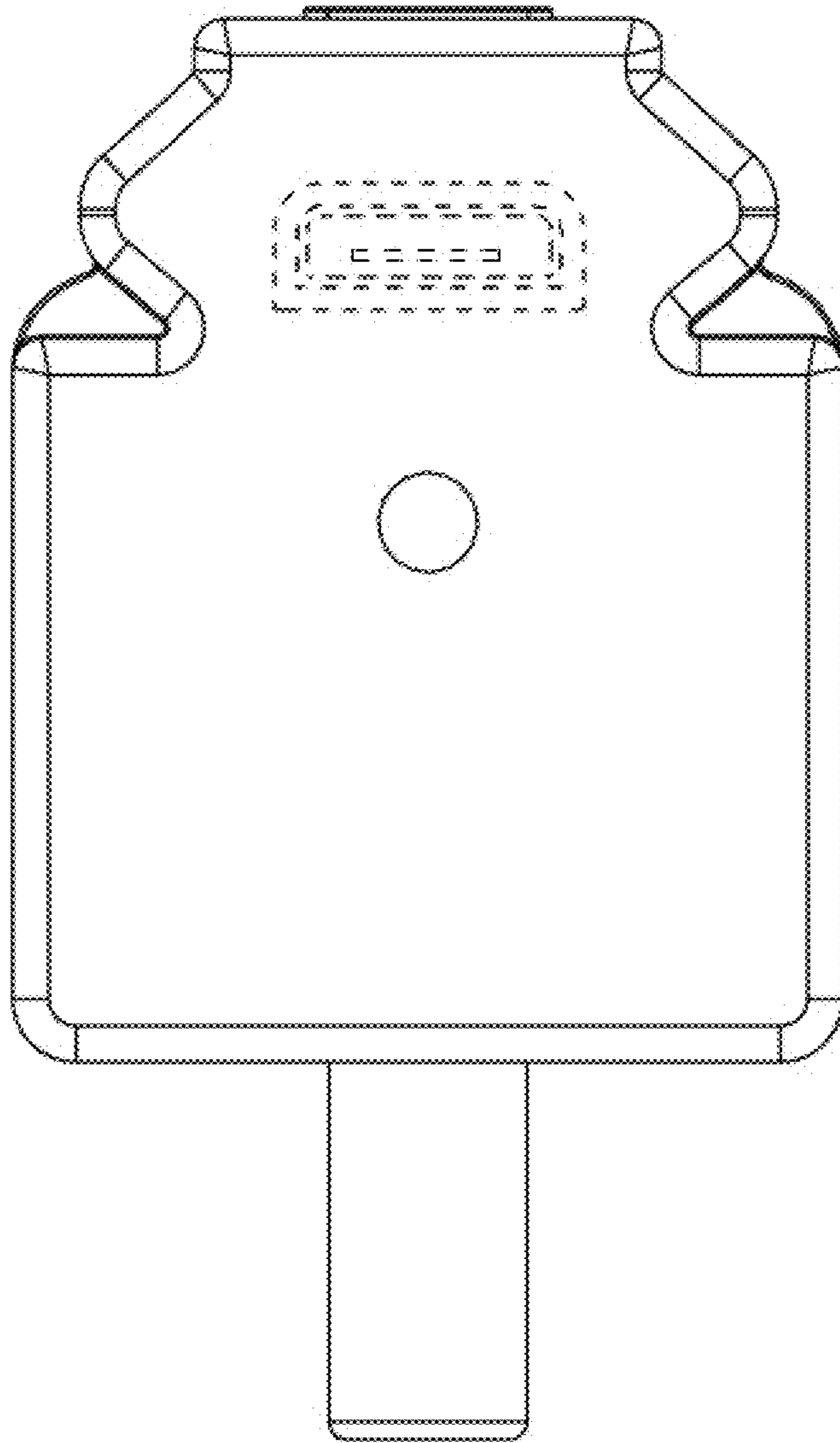


FIG. 6

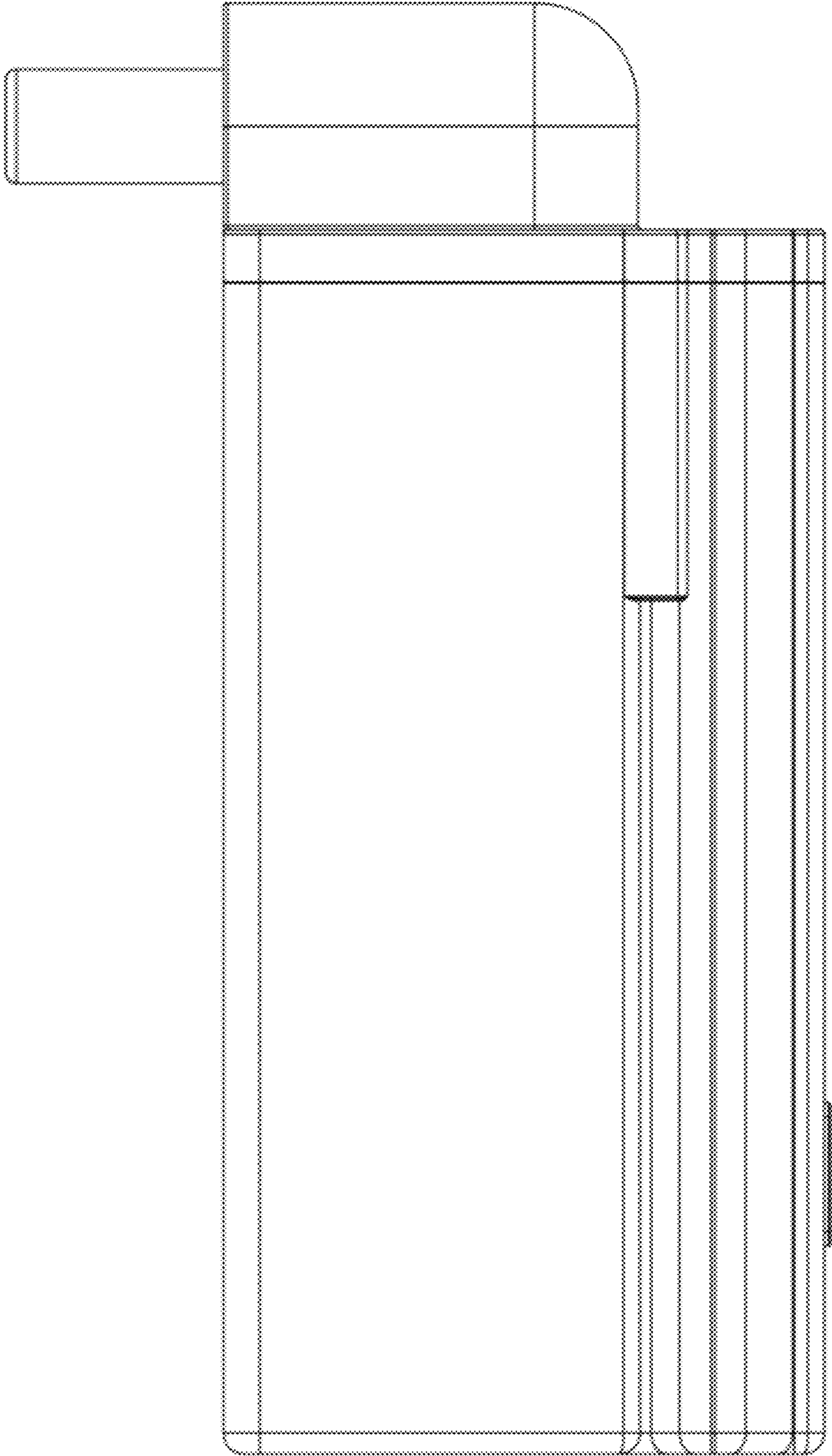


FIG. 7

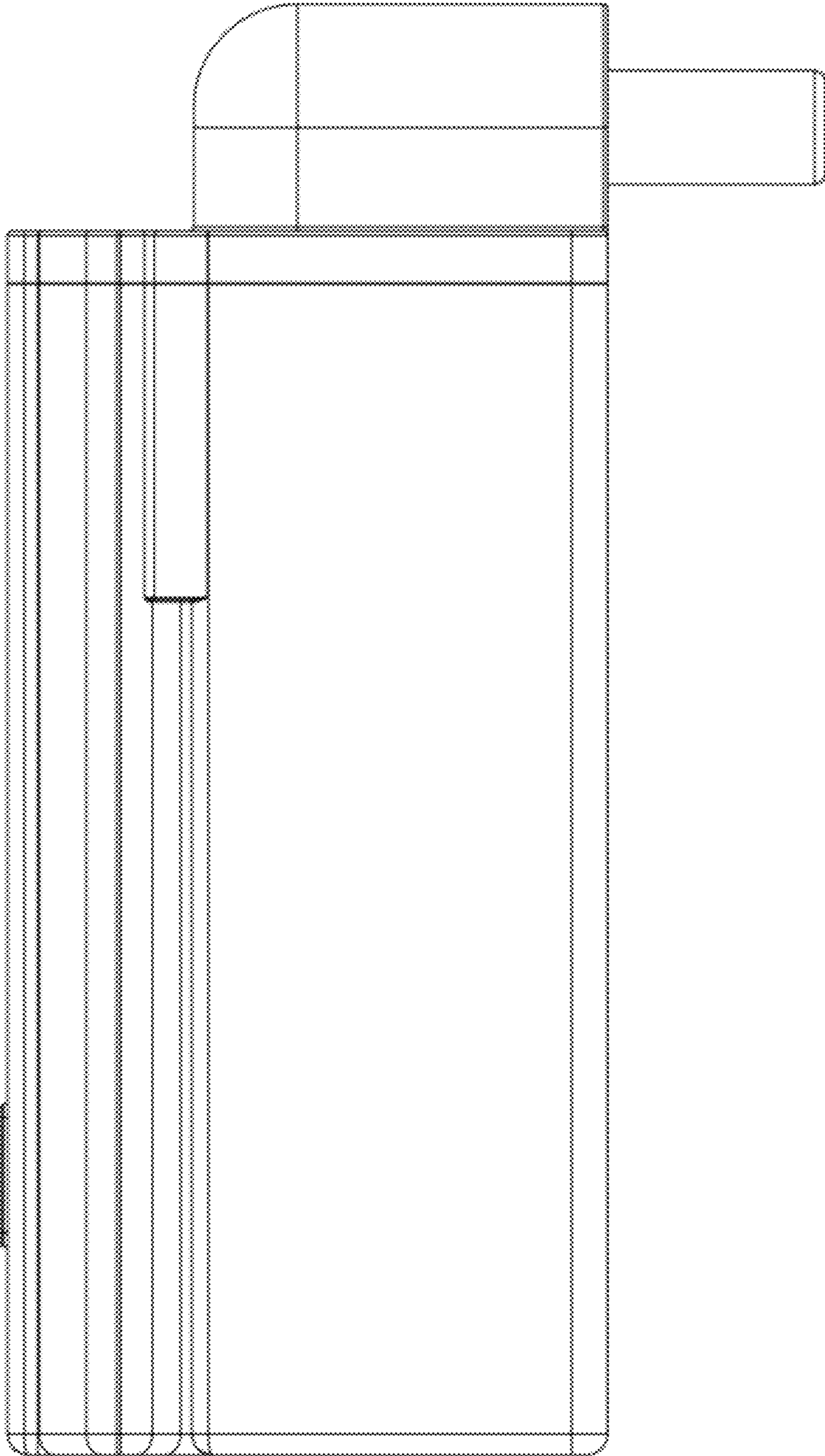


FIG. 8

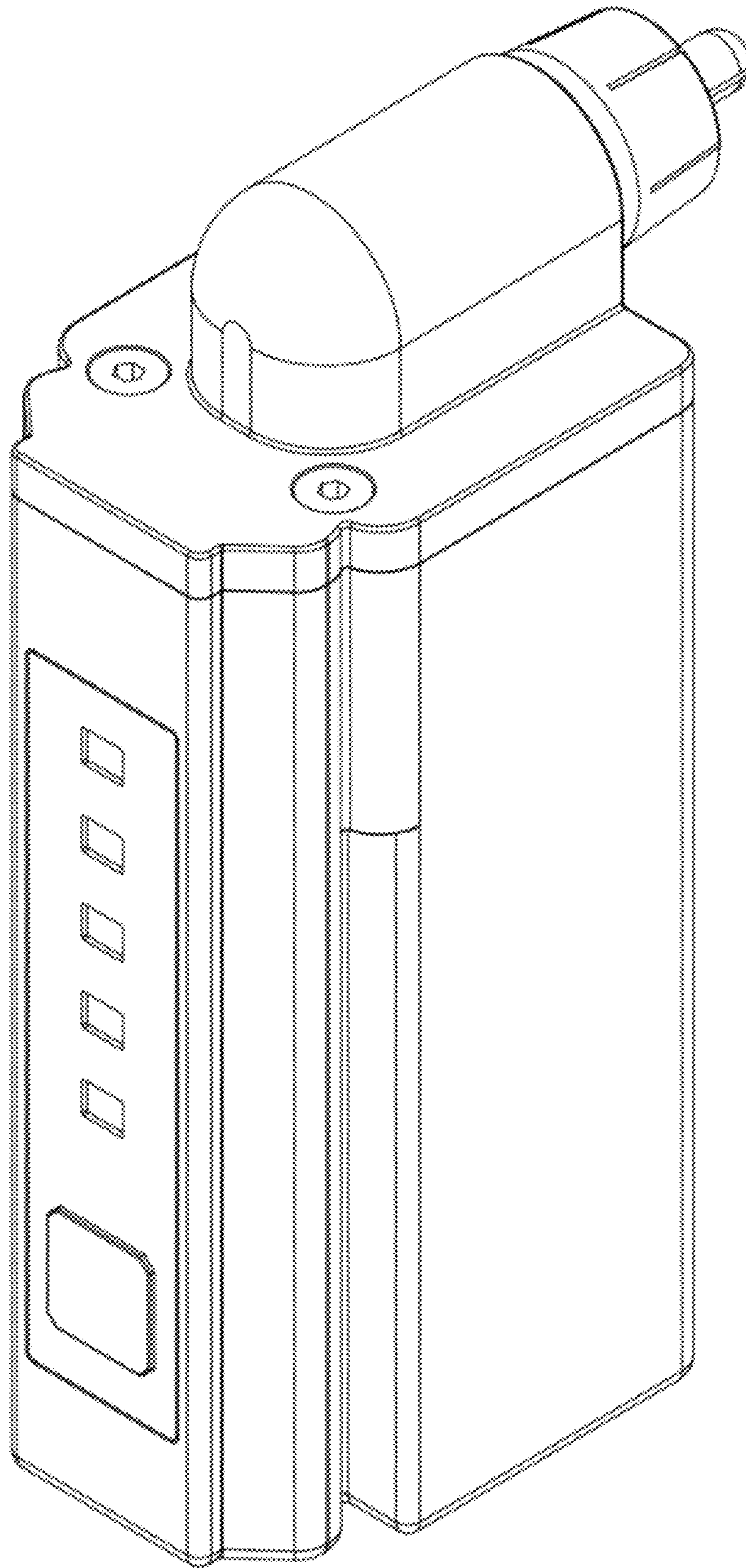


FIG. 9

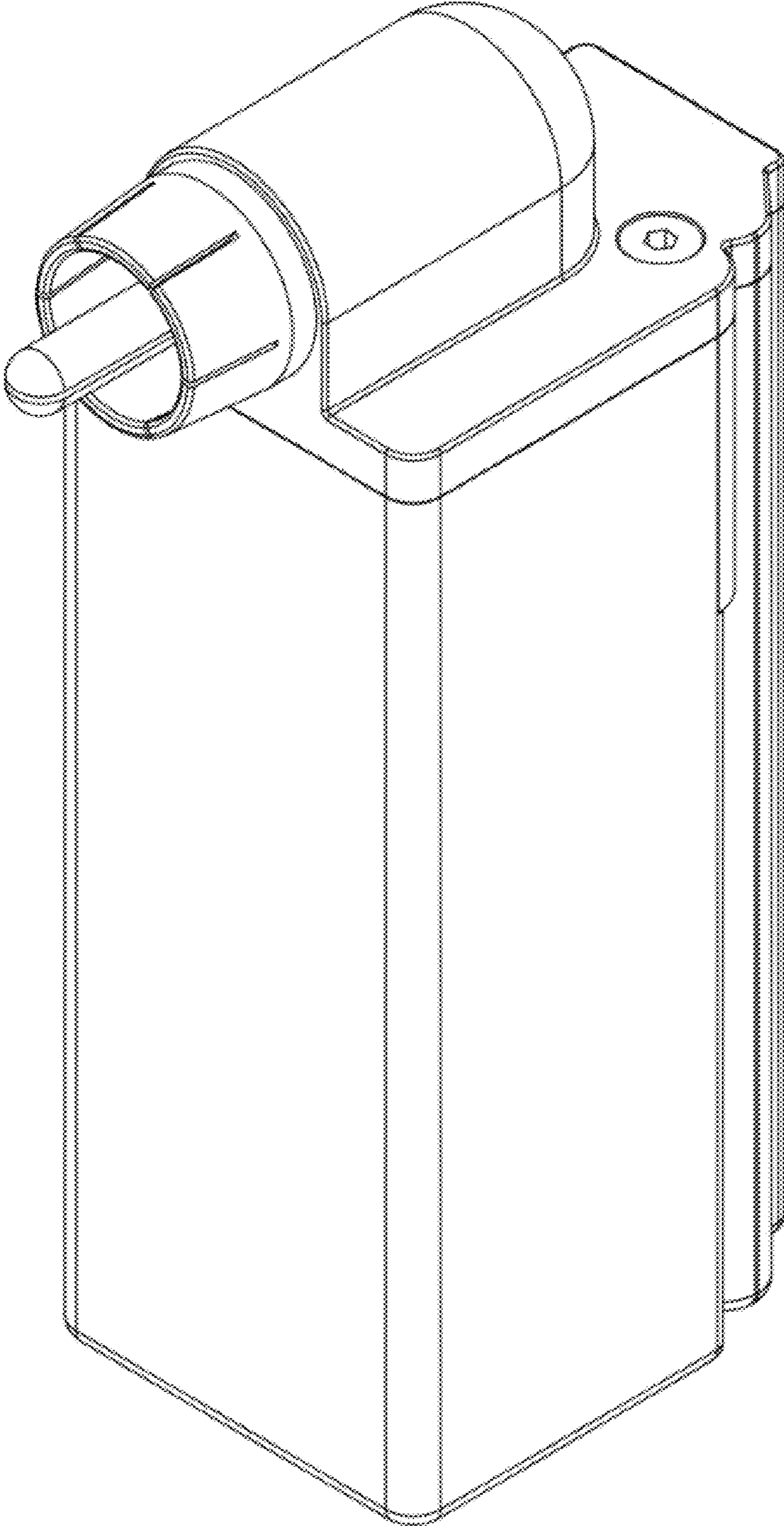


FIG. 10

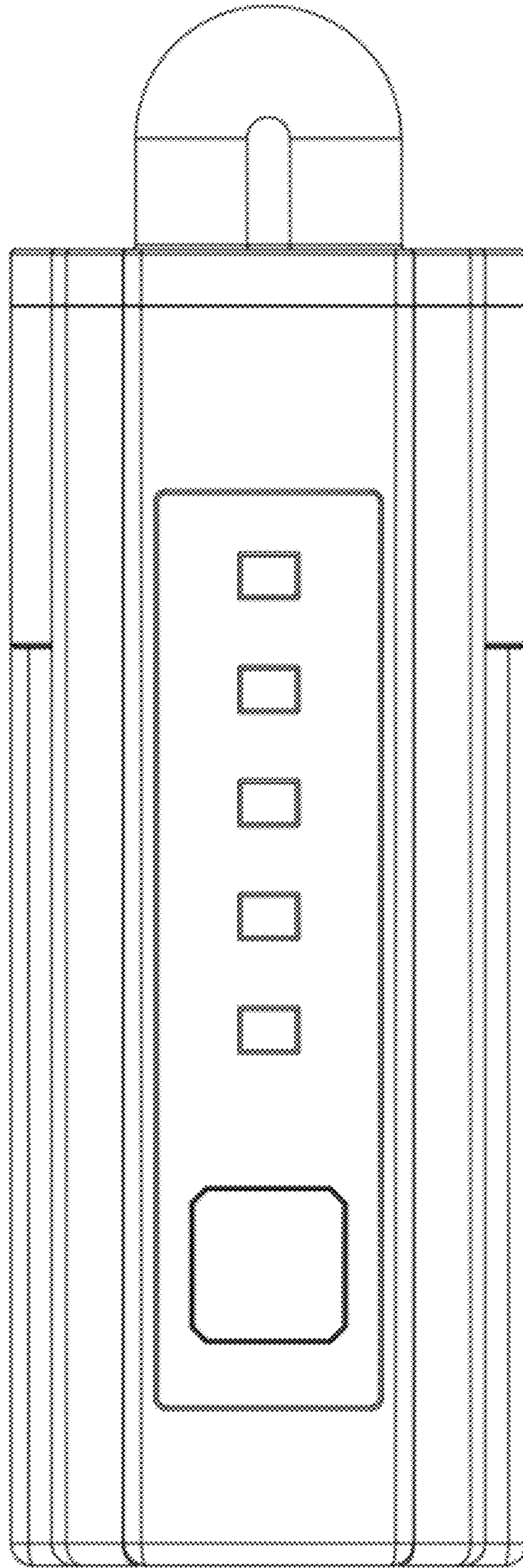


FIG. 11

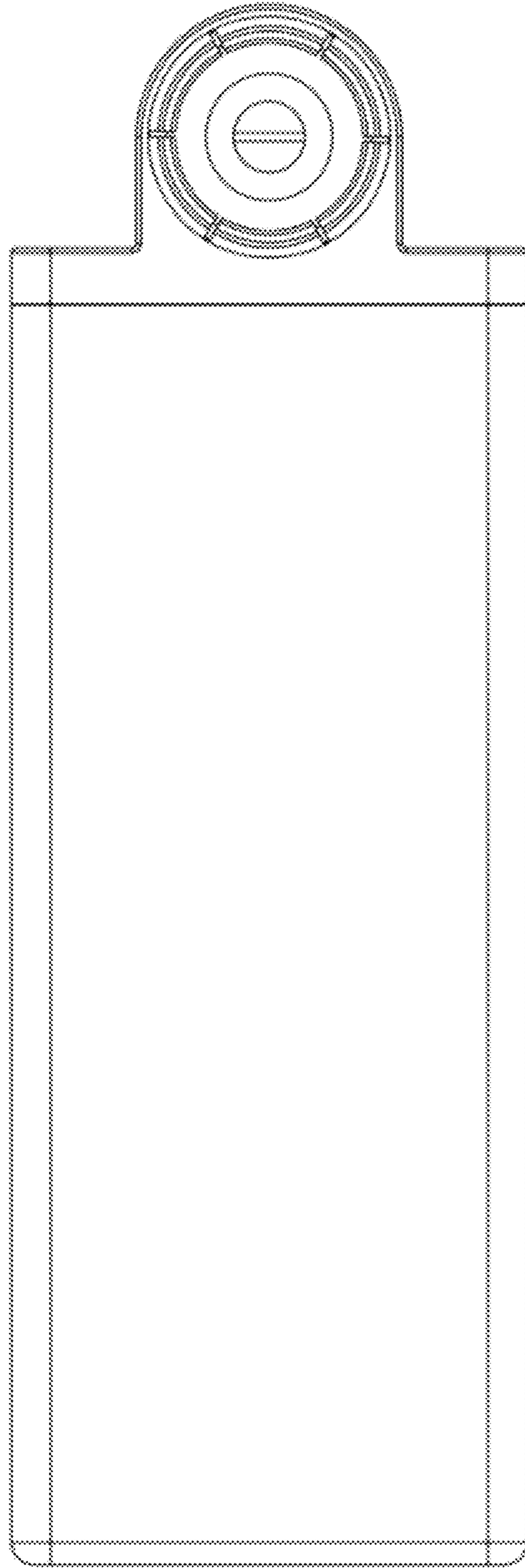


FIG. 12

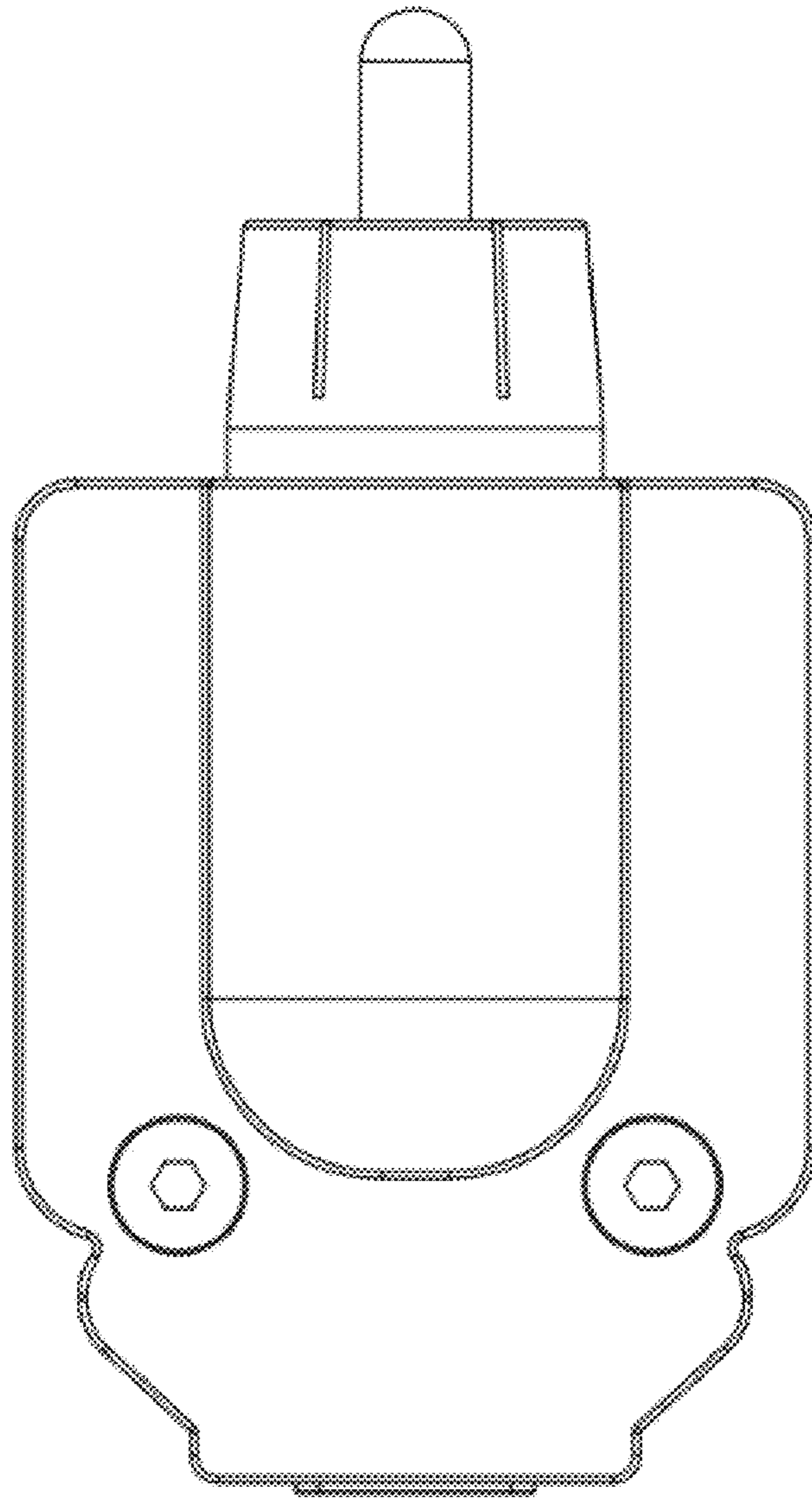


FIG. 13

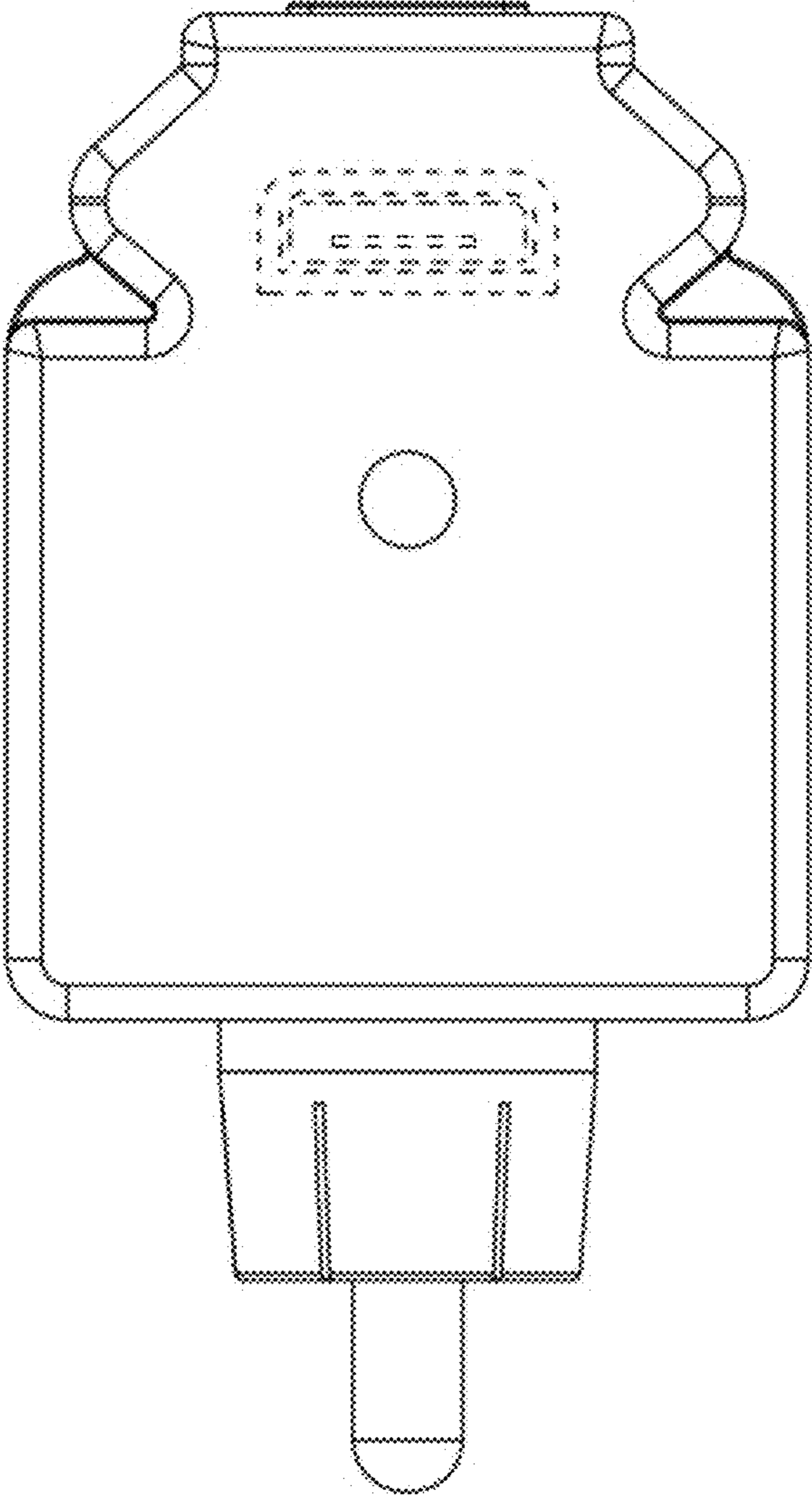


FIG. 14

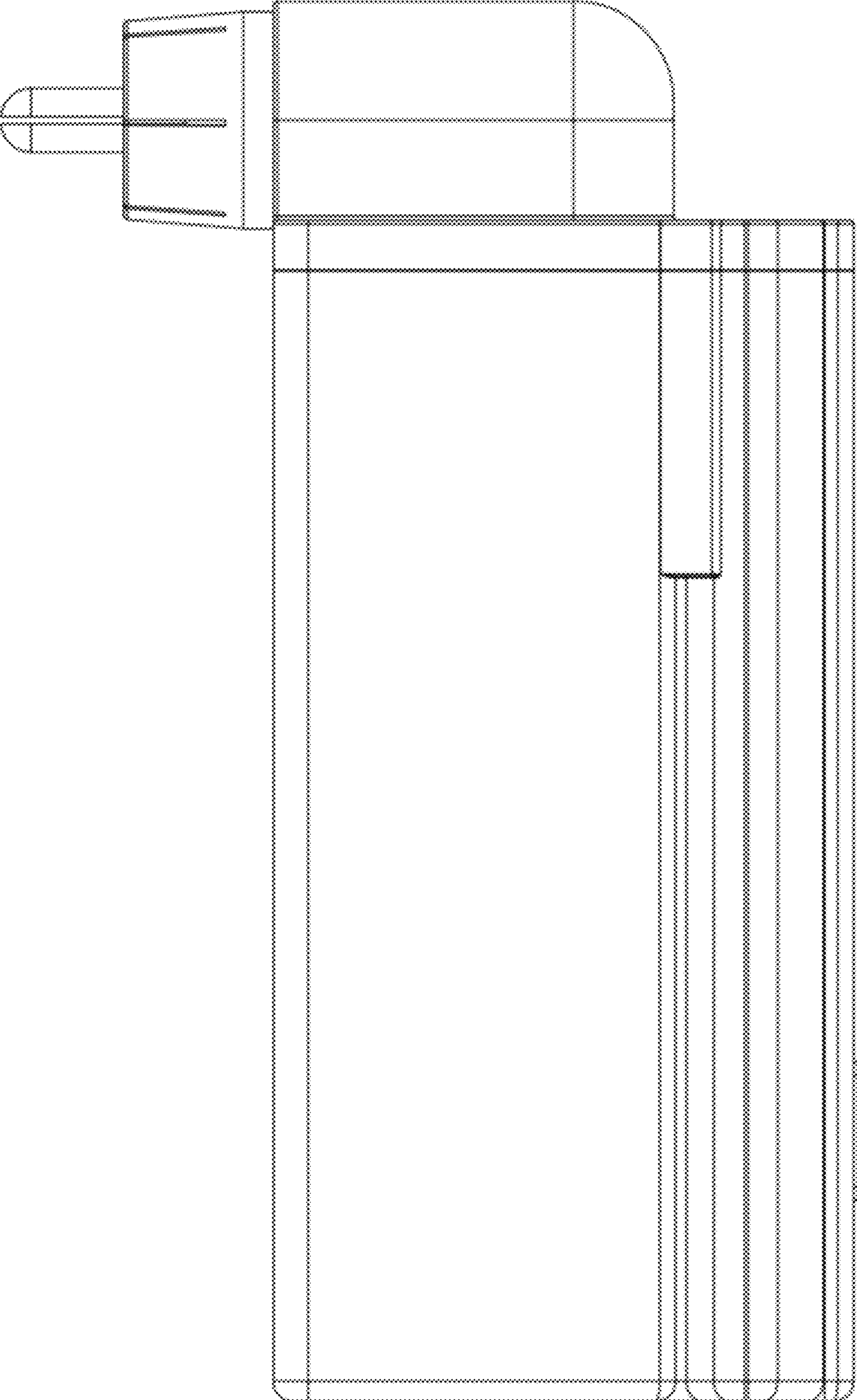


FIG. 15

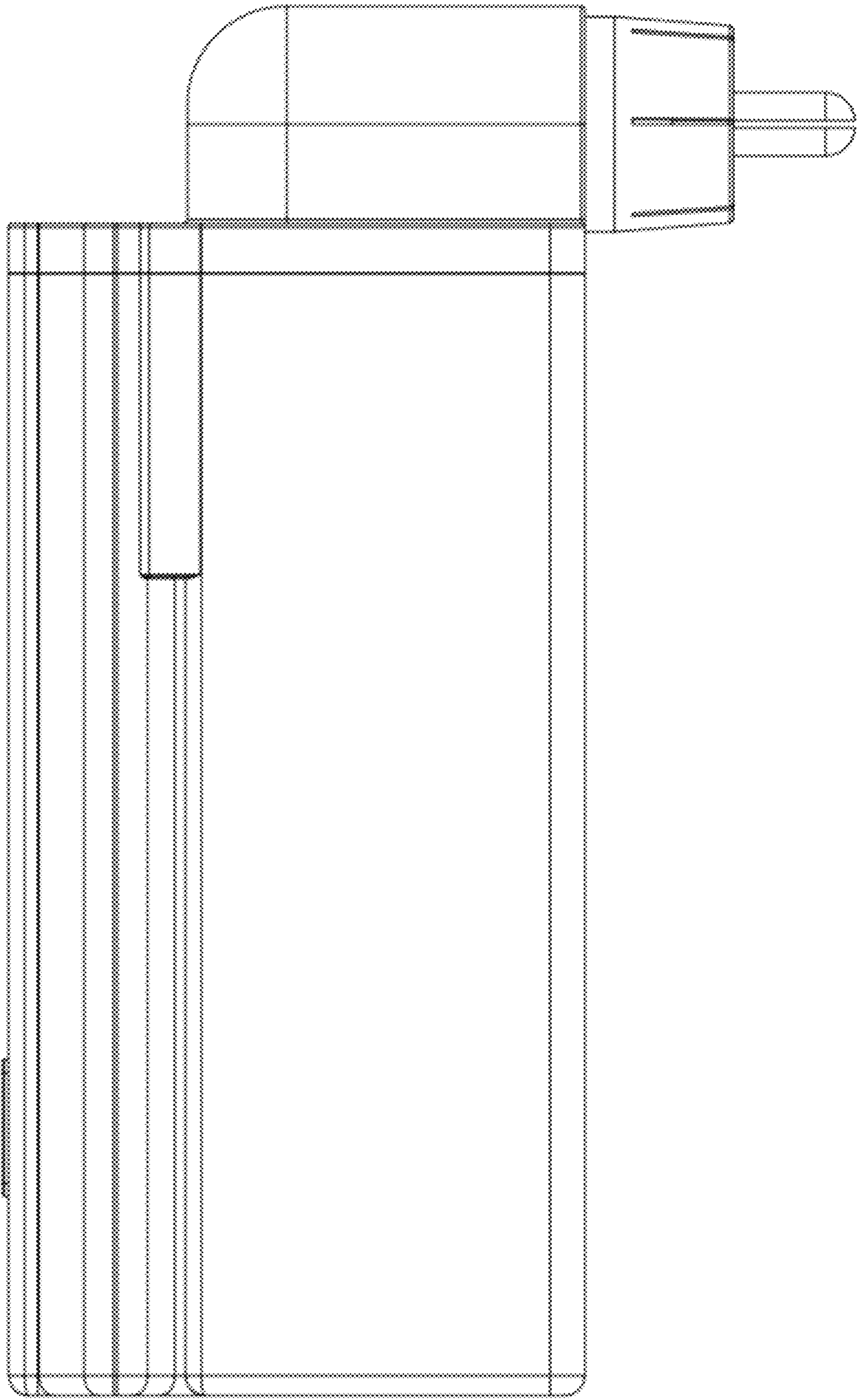


FIG. 16