



US00D968327S

(12) **United States Design Patent**
Liu

(10) **Patent No.:** **US D968,327 S**
(45) **Date of Patent:** **** Nov. 1, 2022**

- (54) **WIRELESS CHARGER**
- (71) Applicant: **Guanyuan Jianye (Dongguan) Intelligent Manufacturing Co., Ltd., Dongguan (CN)**
- (72) Inventor: **Yong Liu, Yichun (CN)**
- (**) Term: **15 Years**
- (21) Appl. No.: **29/845,074**
- (22) Filed: **Jul. 5, 2022**
- (51) **LOC (13) Cl.** **13-02**
- (52) **U.S. Cl.**
USPC **D13/108**
- (58) **Field of Classification Search**
USPC D13/107–108, 110, 118–119, 184, 199;
D14/251, 253, 432, 434, 447
CPC .. H02J 7/025; H02J 7/005; H02J 50/00; H02J
50/10; H02J 50/12; H02J 50/80; H02J
7/02; H02J 7/0026; H02J 7/0042; H02J
7/0044; H02J 7/0045; H02J 7/0013; H02J
7/0003
See application file for complete search history.

(56) **References Cited**

U.S. PATENT DOCUMENTS

D611,407 S *	3/2010	Webb	D13/108
D756,917 S *	5/2016	Leabman	D13/108
D756,918 S *	5/2016	Leabman	D13/108
D782,973 S	4/2017	Zhou		
D839,825 S	2/2019	Tschopp		
D884,625 S *	5/2020	Li	D13/108
D885,334 S *	5/2020	Covington	D13/108
D891,367 S *	7/2020	Covington	D13/108
D902,151 S	11/2020	Yang		
D908,621 S *	1/2021	Akana	D13/108

(Continued)

OTHER PUBLICATIONS

“UCOMX Nano 3 in 1 Wireless Charger,Magnetic Foldable 3 in 1 Charging Station,Fast Wireless Charging Pad,Compatible with iPhone 13/Pro/Max/12/Pro/Max, AirPods Pro, iWatch (Adapter Included)—

White”, Amazon.com, first available on Sep. 7, 2021. Retrieved from the internet: <<https://www.amazon.com/UCOMX-Wireless-Magnetic-Foldable-Compatible/dp/B09FKZ7M9M/?th=1>> (Year: 2021).*

(Continued)

Primary Examiner — Rosemary K Tarcza

(74) *Attorney, Agent, or Firm* — Rumit Ranjit Kanakia

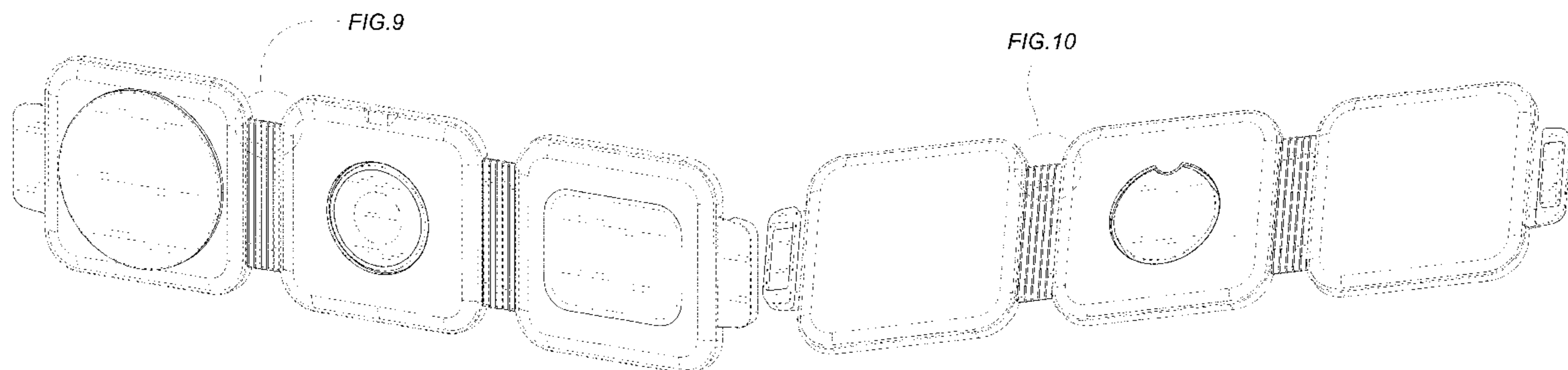
(57) **CLAIM**

The ornamental design for a wireless charger, as shown and described.

DESCRIPTION

FIG. 1 is a perspective view of a wireless charger showing my new design;
 FIG. 2 is another perspective view thereof;
 FIG. 3 is a front elevational view thereof;
 FIG. 4 is a rear elevational view thereof;
 FIG. 5 is a left side view thereof;
 FIG. 6 is a right side view thereof;
 FIG. 7 is a top plan view thereof;
 FIG. 8 is a bottom plan view thereof;
 FIG. 9 is a partial enlarged view of FIG. 1;
 FIG. 10 is a partial enlarged view of FIG. 2;
 FIG. 11 is a partial enlarged view of FIG. 5;
 FIG. 12 is a partial enlarged view of FIG. 6;
 FIG. 13 is a partial enlarged view of FIG. 7;
 FIG. 14 is a partial enlarged view of FIG. 7;
 FIG. 15 is a partial enlarged view of FIG. 7;
 FIG. 16 is a partial enlarged view of FIG. 7;
 FIG. 17 is a partial enlarged view of FIG. 8;
 FIG. 18 is a partial enlarged view of FIG. 8;
 FIG. 19 is a partial enlarged view of FIG. 8; and,
 FIG. 20 is a partial enlarged view of FIG. 8.
 The broken lines in the figures are for the purposes of illustrating portions of the wireless charger, which form no part of the claimed design.

1 Claim, 10 Drawing Sheets



(56)

References Cited

U.S. PATENT DOCUMENTS

D922,947 S 6/2021 Wang
D922,948 S 6/2021 Wang
D933,600 S 10/2021 Wang
D934,169 S 10/2021 Huang
D934,796 S 11/2021 Hwan
D935,398 S 11/2021 Wang
D957,325 S * 7/2022 Turksu D13/108
2021/0281088 A1* 9/2021 Feng H02J 7/0042

OTHER PUBLICATIONS

“MURPISO 3 in 1 Magnetic Foldable Wireless Charger,Folding Fast Wireless Charger Station for Travel,Compatible with iPhone 13 12 11/Pro/XS/XR/8,AirPods 3/2/Pro,iWatch 7/6/5/4/3/2(with Storage Box)”, Amazon.com, first available on Jun. 13, 2022. Retrieved from the internet: <<https://www.amazon.com/MURPISO-Magnetic-Foldable-Wireless-Compatible/dp/B0B3X36BF7/>> (Year: 2022).*

* cited by examiner

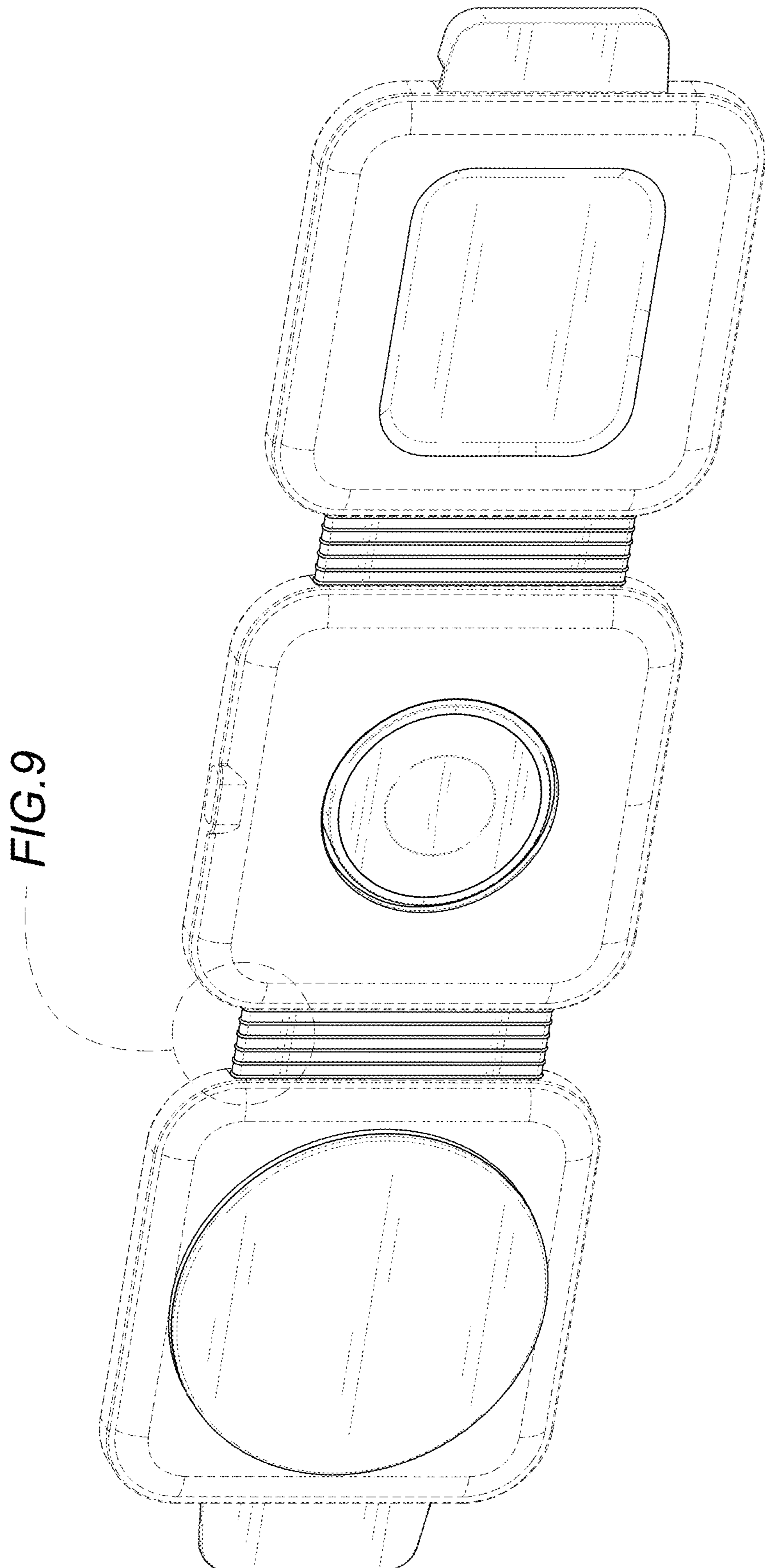


FIG. 1

FIG.10

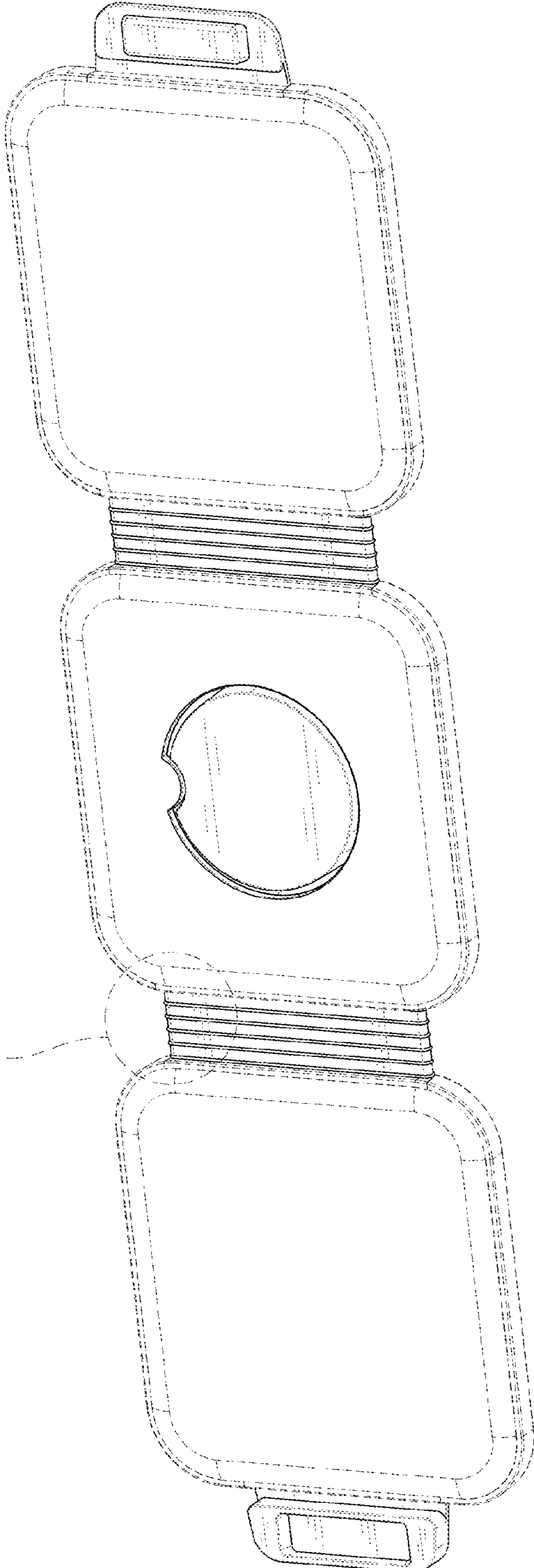


FIG.2

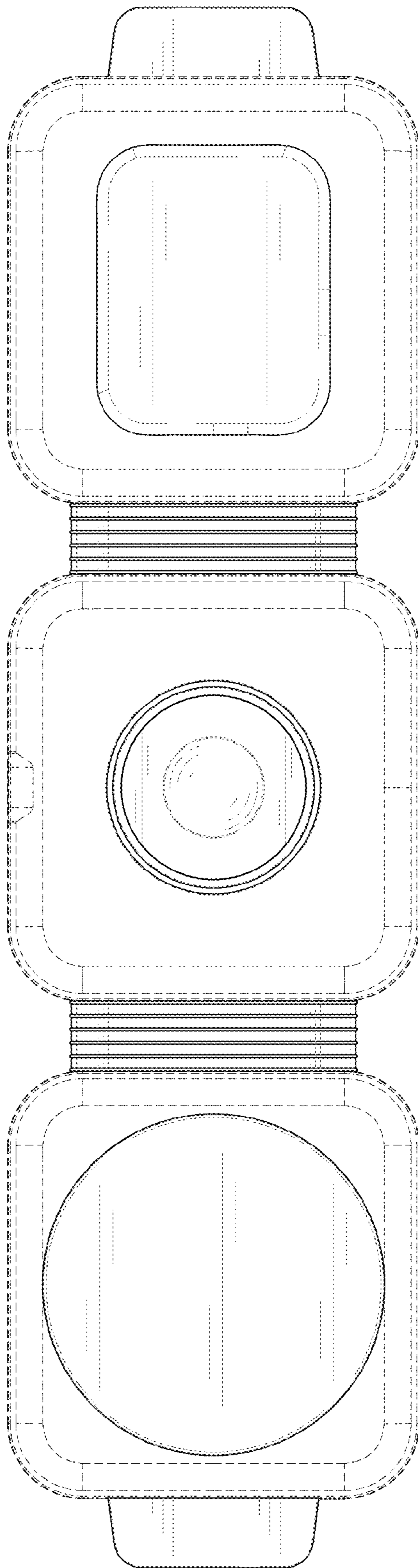


FIG. 3

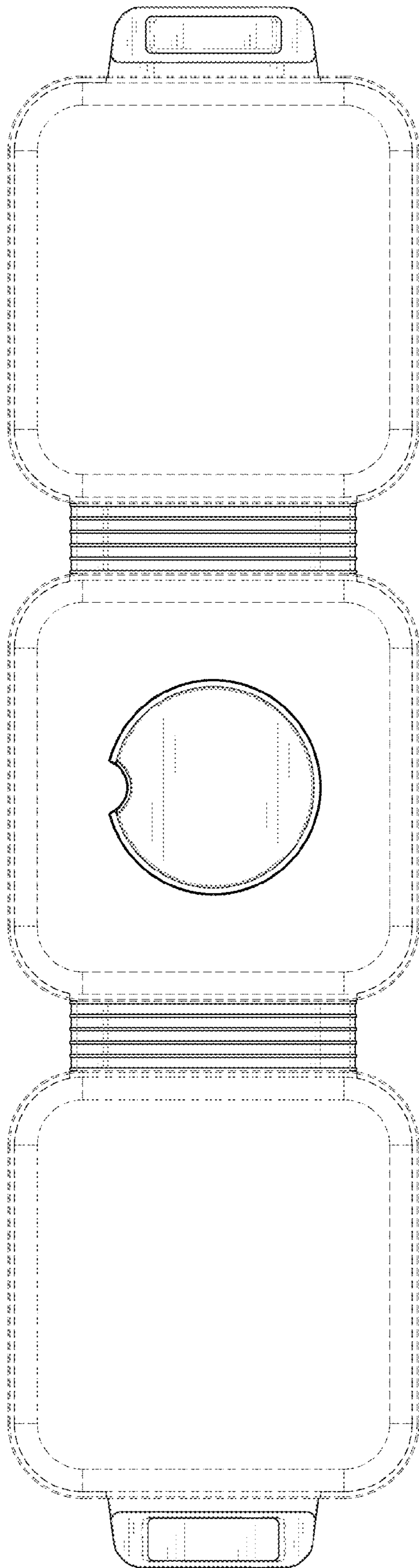


FIG. 4

FIG.11

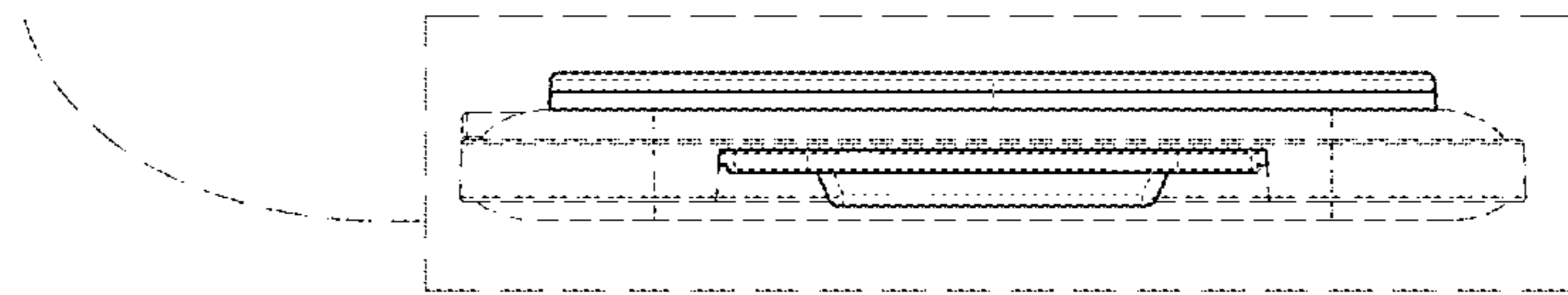


FIG.12

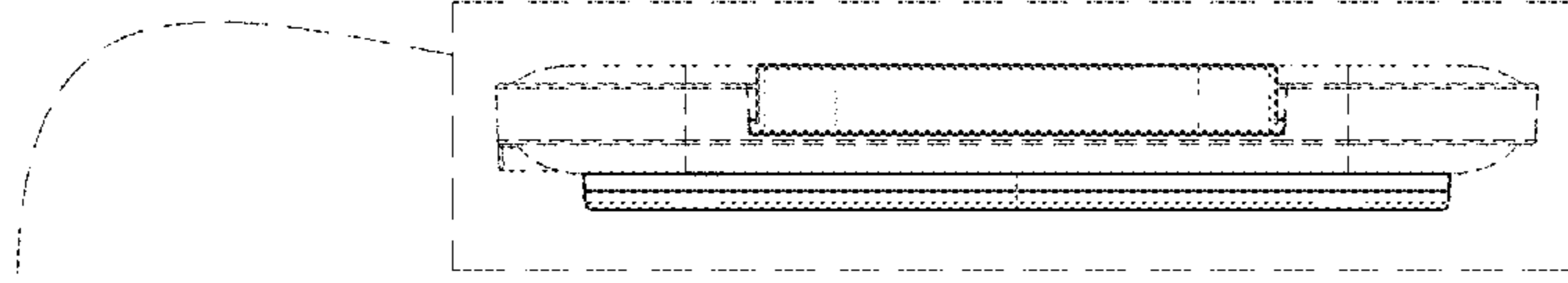


FIG.5

FIG.6

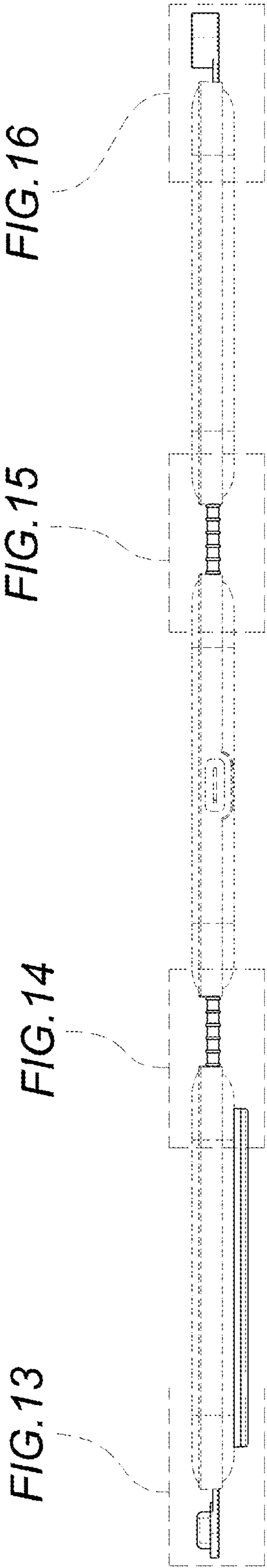


FIG. 7

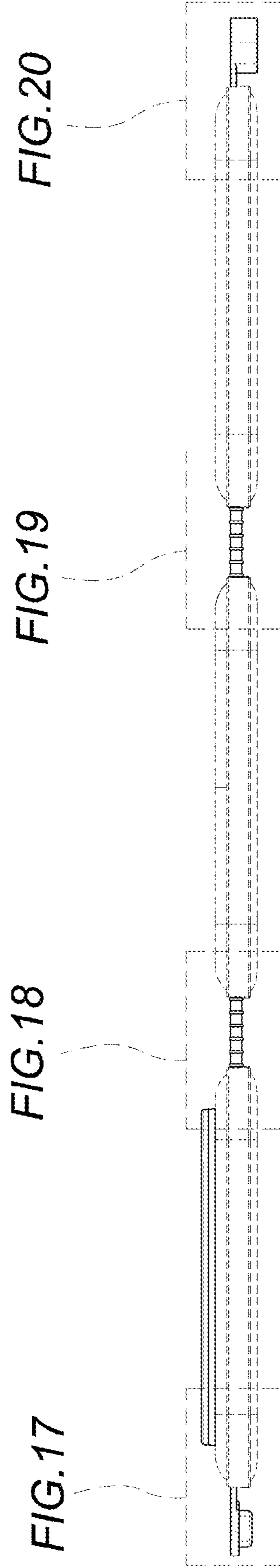


FIG. 8

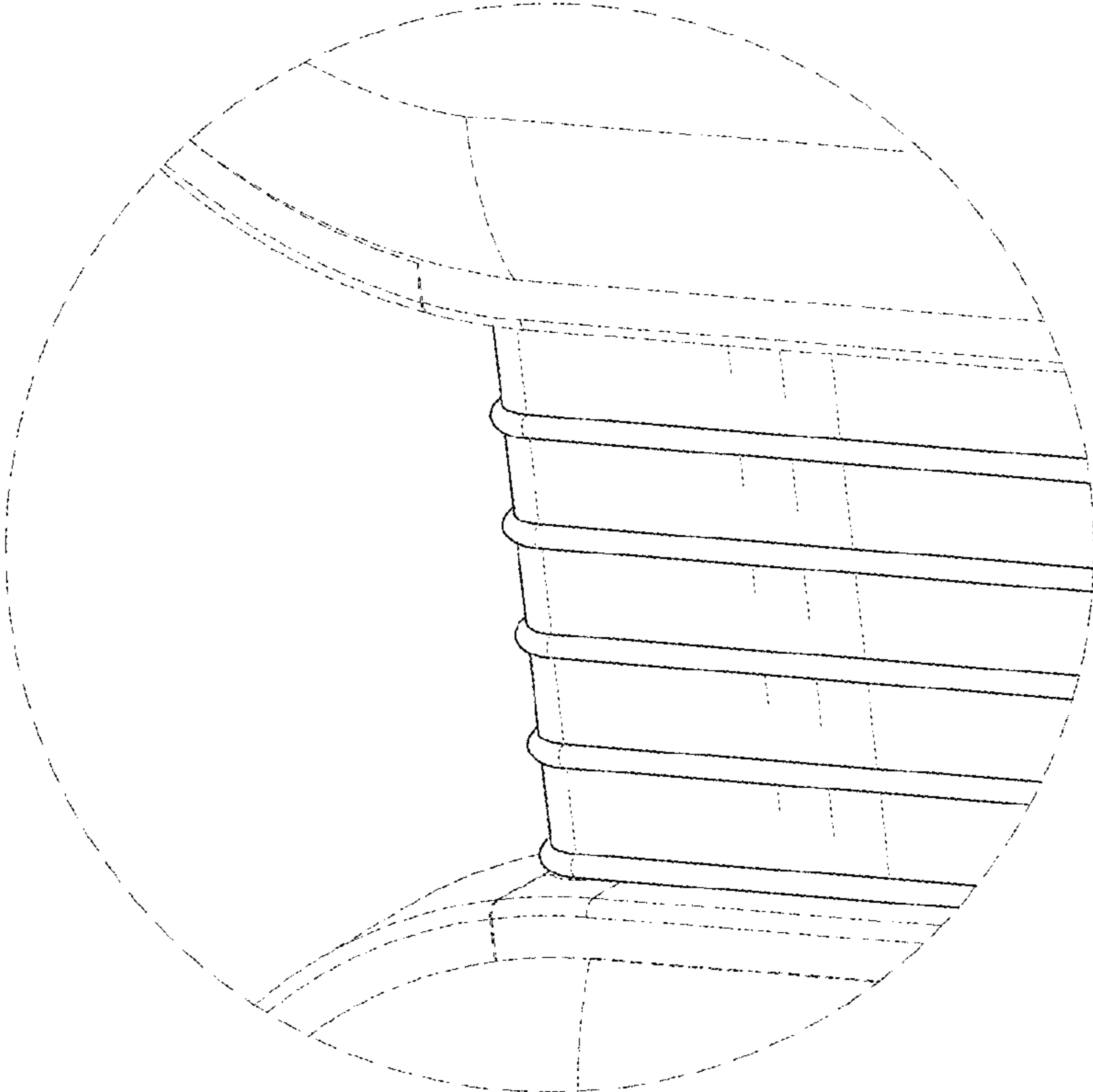


FIG. 9

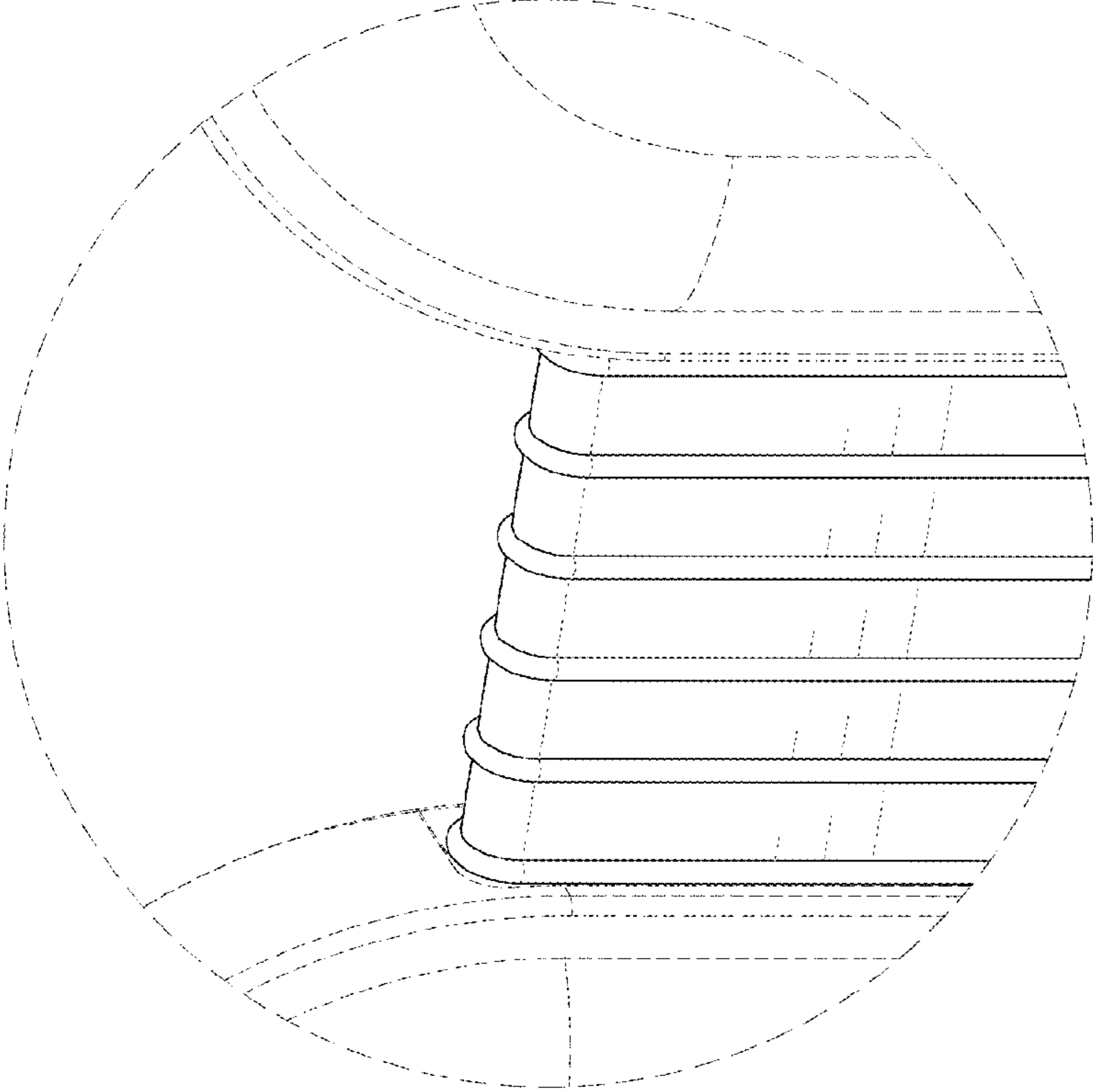


FIG. 10

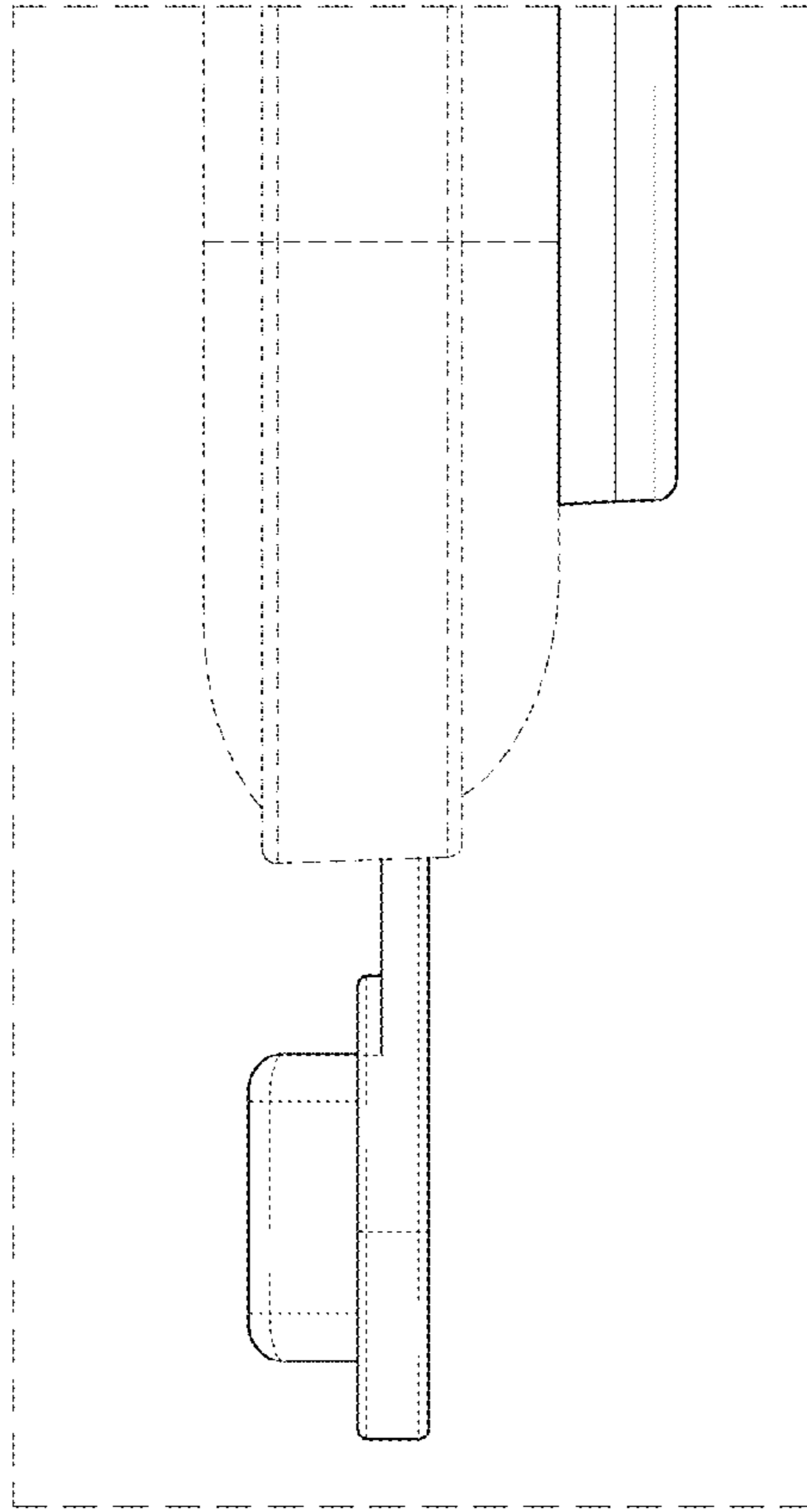
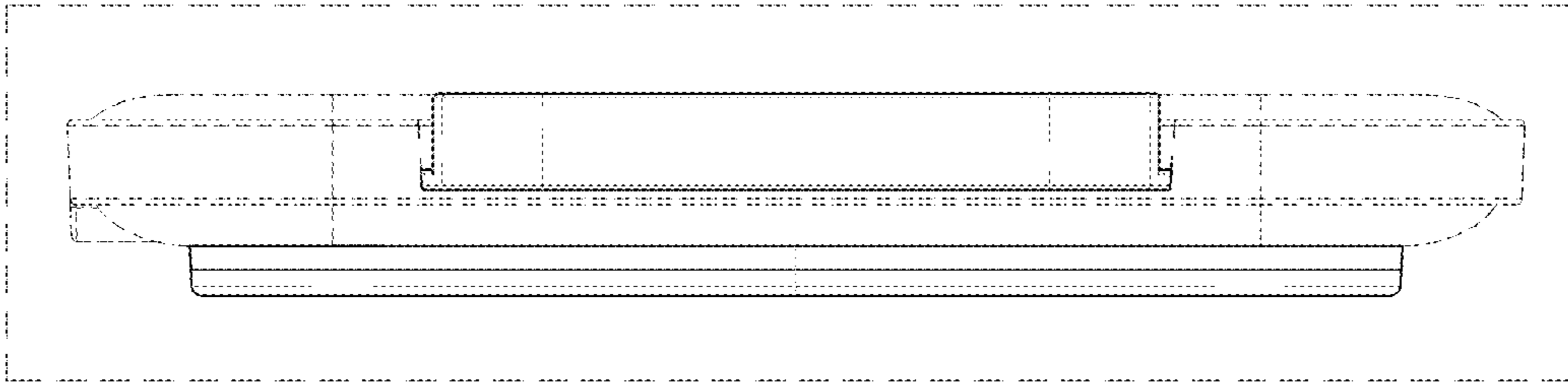
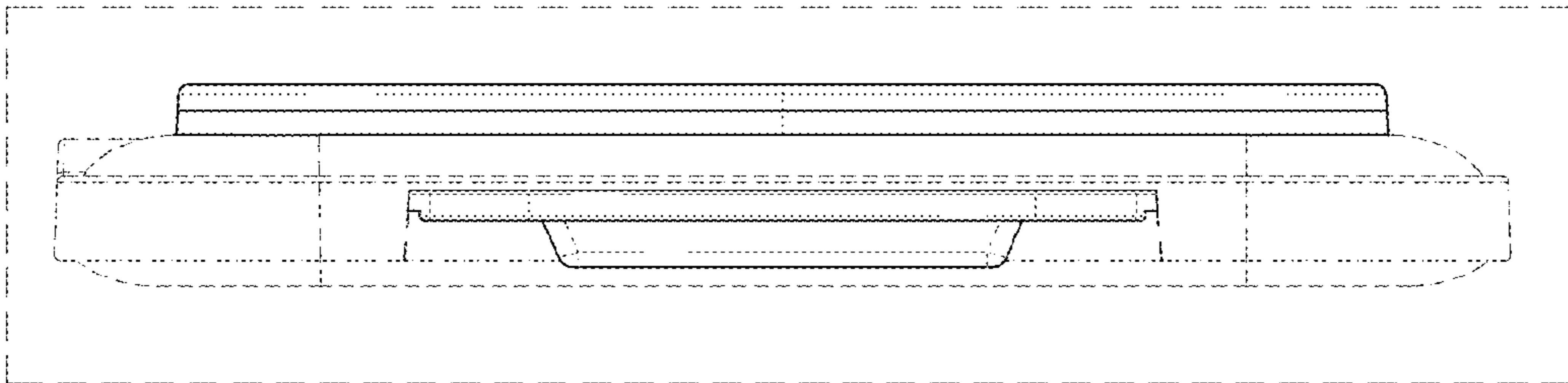


FIG. 13

FIG. 12

FIG. 11

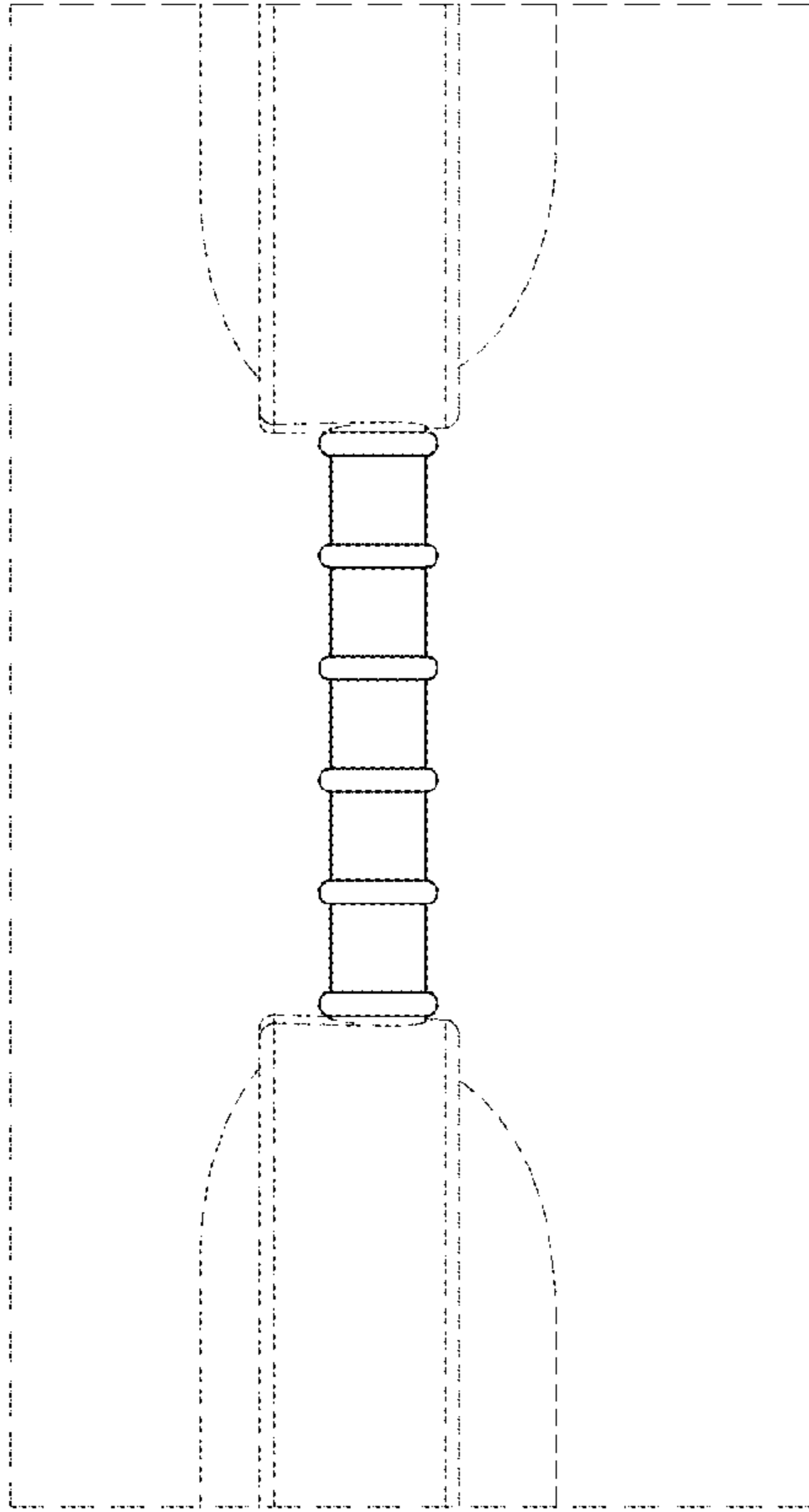


FIG. 15

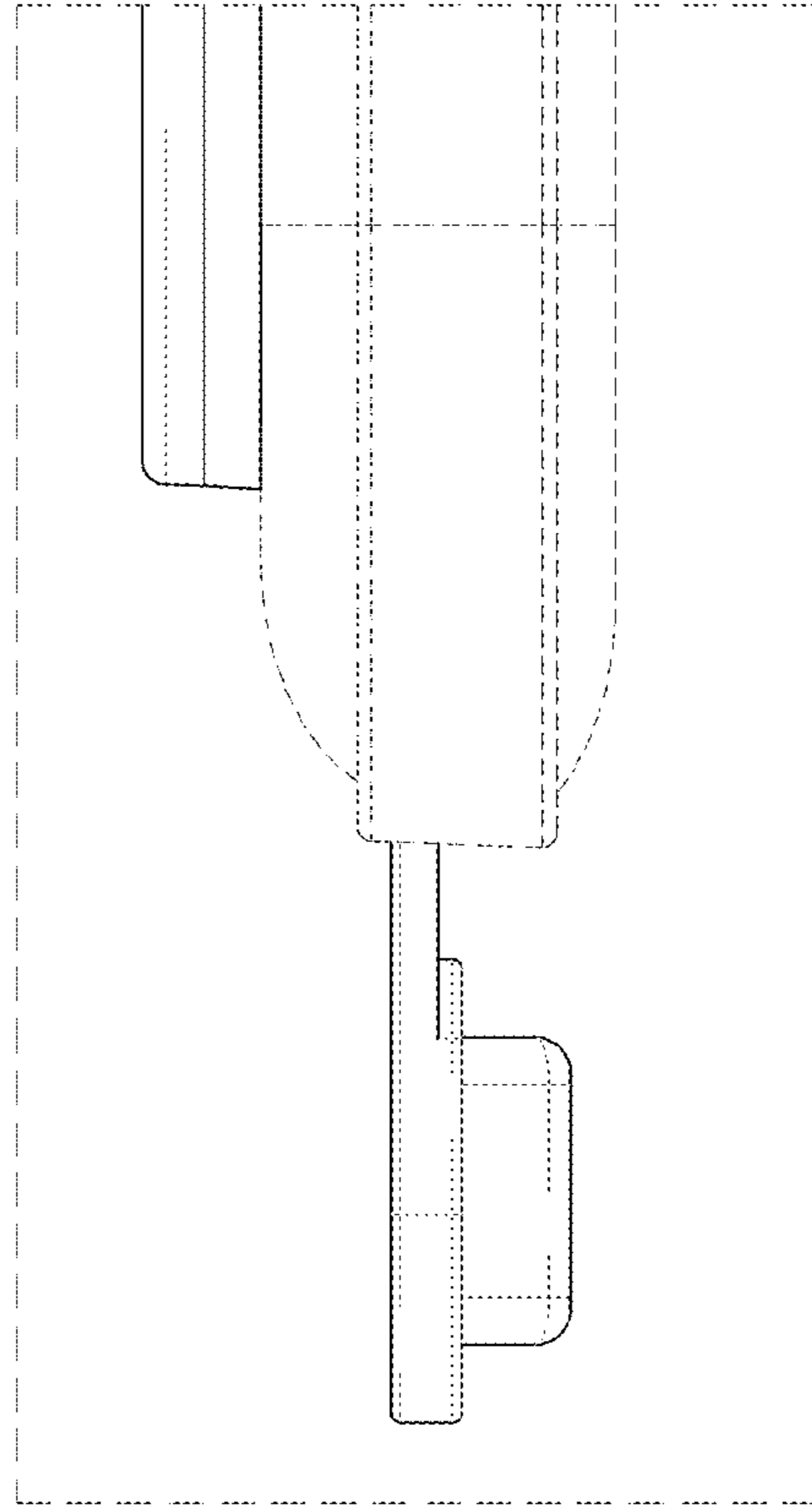


FIG. 17

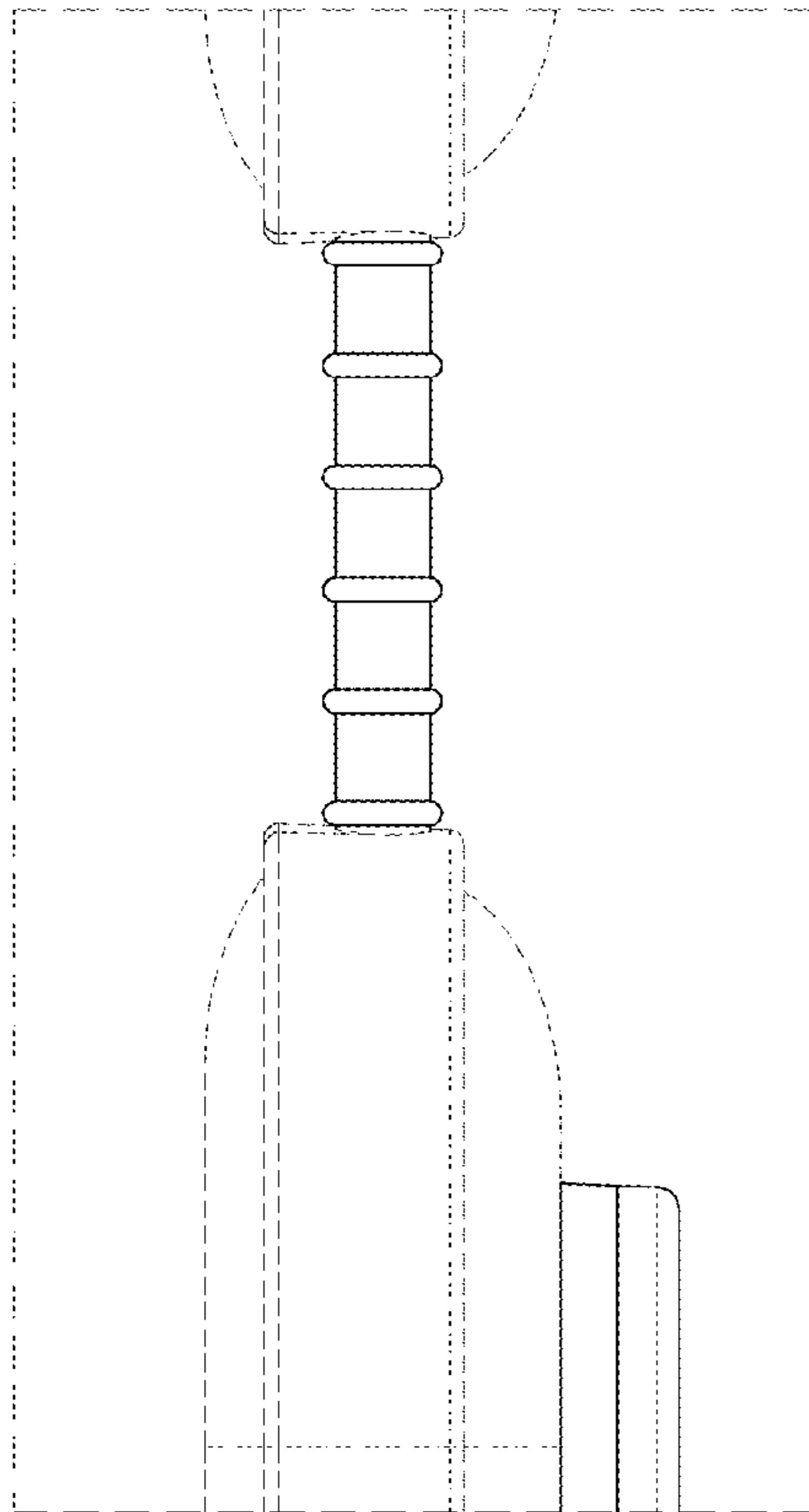


FIG. 14

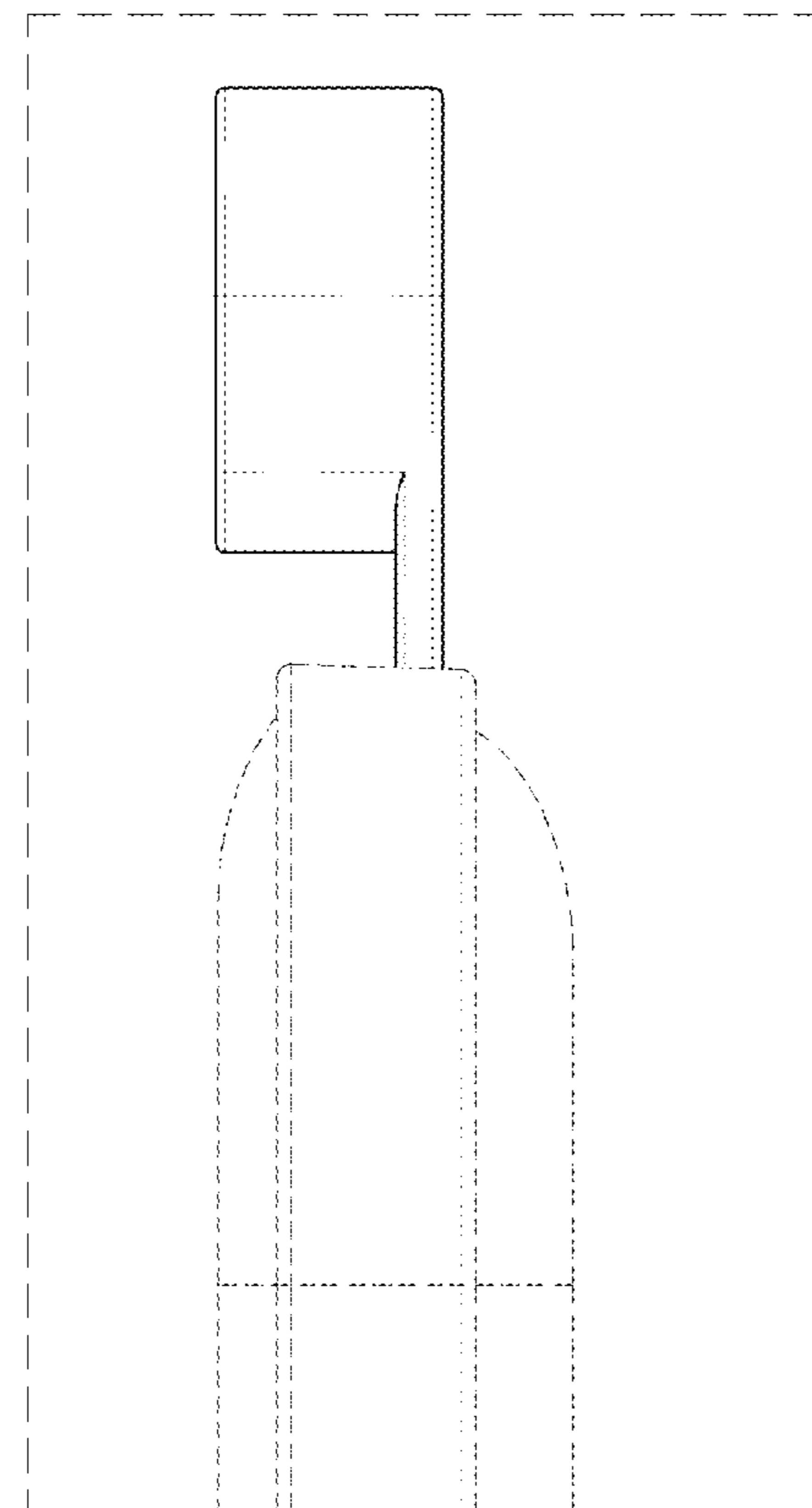


FIG. 16

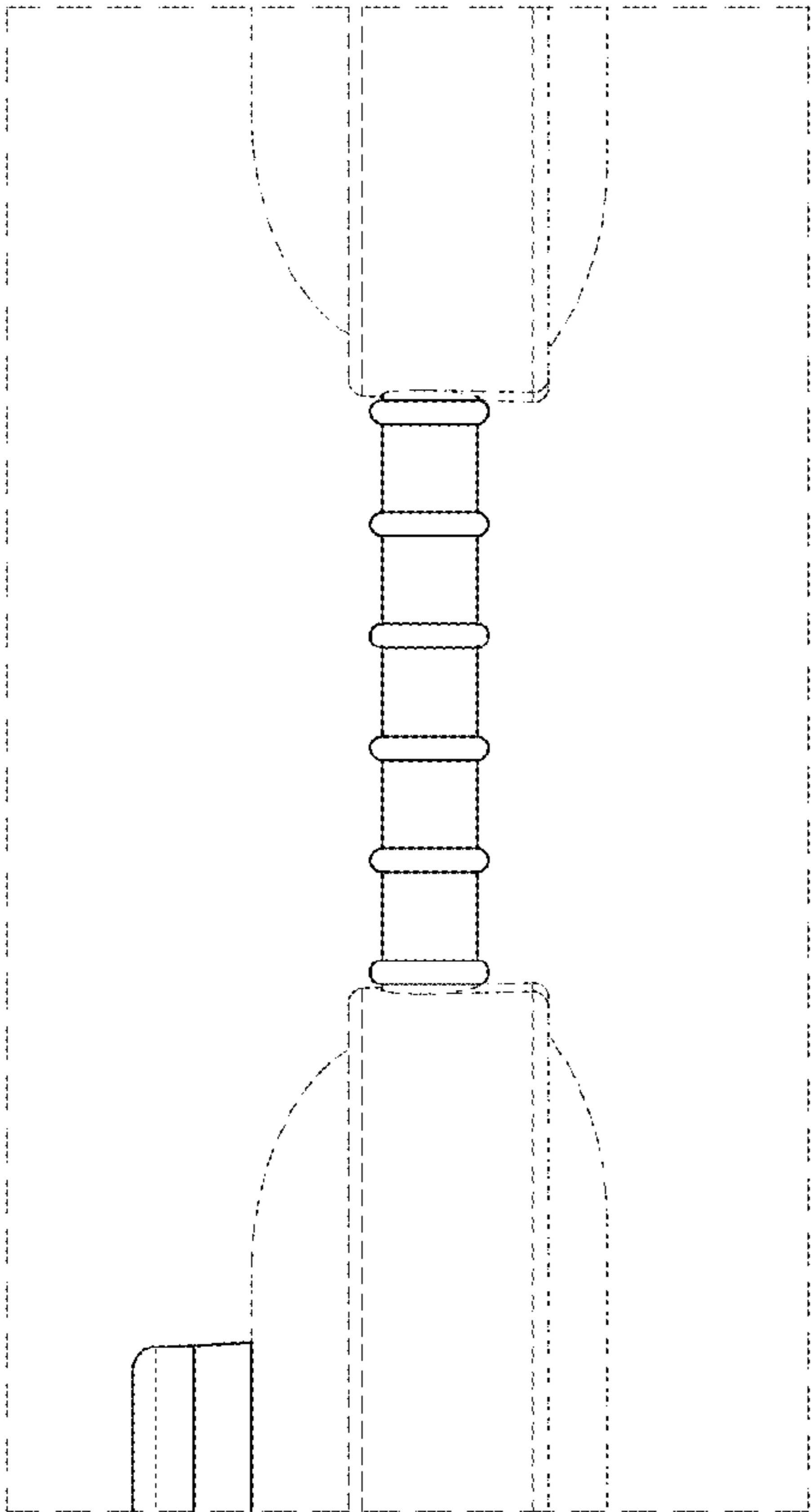


FIG. 18

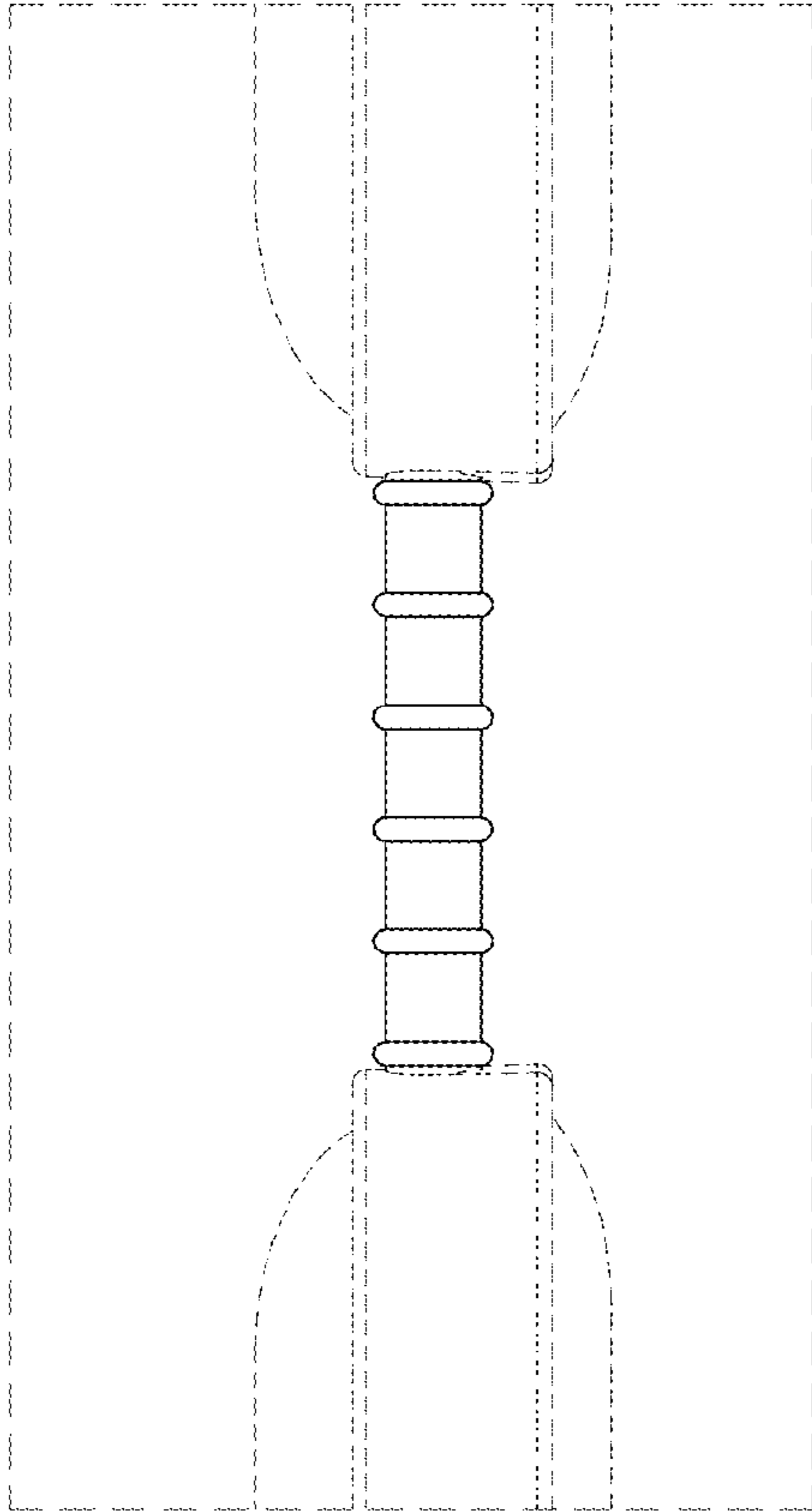


FIG. 19

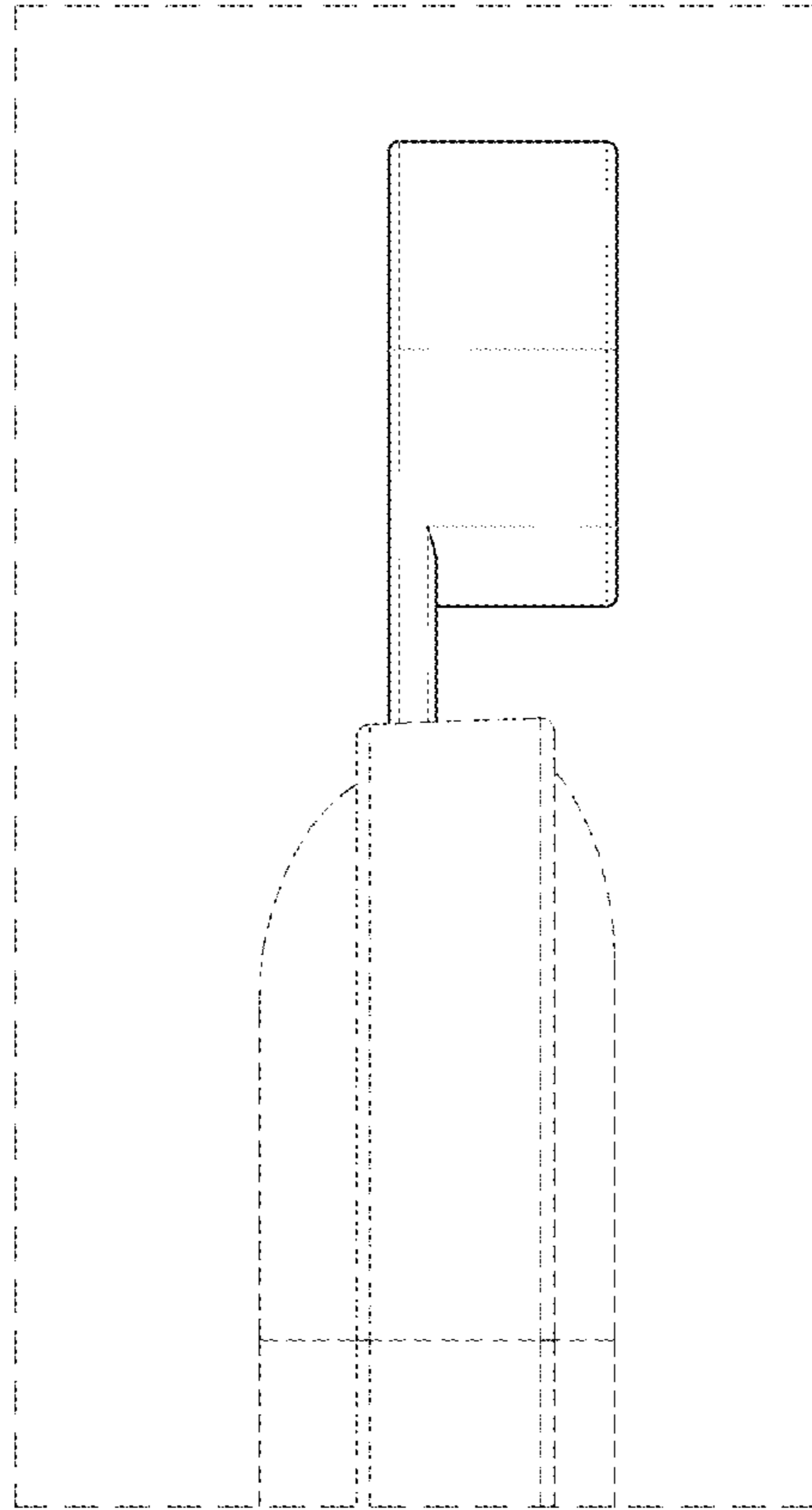


FIG. 20