



US00D968326S

(12) **United States Design Patent** (10) **Patent No.:** **US D968,326 S**
Luo (45) **Date of Patent:** **** Nov. 1, 2022**

(54) **STAND FOR WIRELESS CHARGER**

(71) Applicant: **CHUN LAM GROUP (INTERNATIONAL) LIMITED,**
Dongguan (CN)

(72) Inventor: **Jin Luo,** Dongguan (CN)

(73) Assignee: **CHUN LAM GROUP (INTERNATIONAL) LIMITED,**
Dongguan (CN)

(**) Term: **15 Years**

(21) Appl. No.: **29/813,304**

(22) Filed: **Oct. 27, 2021**

(51) **LOC (13) Cl.** **13-02**

(52) **U.S. Cl.**
USPC **D13/108; D14/447**

(58) **Field of Classification Search**
USPC D13/103, 107, 108, 118, 119, 183;
D14/217, 240, 251, 253, 432, 433, 434,
D14/439, 447

CPC H02J 7/0049; H02J 50/05; H02J 7/0027;
H04M 1/06

See application file for complete search history.

(56) **References Cited**

U.S. PATENT DOCUMENTS

D607,817 S *	1/2010	Tan	D13/108
D669,028 S *	10/2012	Ino	D13/108
D811,414 S *	2/2018	Lee	D14/447
D858,530 S *	9/2019	Liao	D14/434
D911,277 S	2/2021	Shang		
D928,703 S	8/2021	Liao		
D930,582 S *	9/2021	Lee	D13/108
D932,425 S *	10/2021	Zhu	D13/107
D937,775 S *	12/2021	Maloney	D13/108

D940,077 S *	1/2022	Jiang	D13/108
D956,692 S *	7/2022	Turksu	D14/447
2009/0051319 A1 *	2/2009	Fang	H02J 7/0044 320/115
2017/0223862 A1 *	8/2017	Justiss	F16M 13/022
2020/0112193 A1 *	4/2020	Wu	H02J 7/025
2021/0091817 A1 *	3/2021	Heroux	H04B 1/3888

OTHER PUBLICATIONS

“Moko Armor Wireless Charger”. Found online Jul. 26, 2022 at amazon.com. Reference dated Oct. 18, 2021. Retrieved from https://www.amazon.com/dp/B09JNVBVG5/ref=sspa_dk_detail_2. (Year: 2021).*

(Continued)

Primary Examiner — Kendra Leslie Hamilton

Assistant Examiner — Amanda Christensen

(57) **CLAIM**

The ornamental design for a stand for wireless charger, as shown and described.

DESCRIPTION

FIG. 1 is a perspective view of a stand for wireless charger showing my new design;

FIG. 2 is another perspective view thereof;

FIG. 3 is a front elevational view thereof;

FIG. 4 is a rear elevational view thereof;

FIG. 5 is a left side elevational view thereof;

FIG. 6 is a right side elevational view thereof;

FIG. 7 is a top plan view thereof;

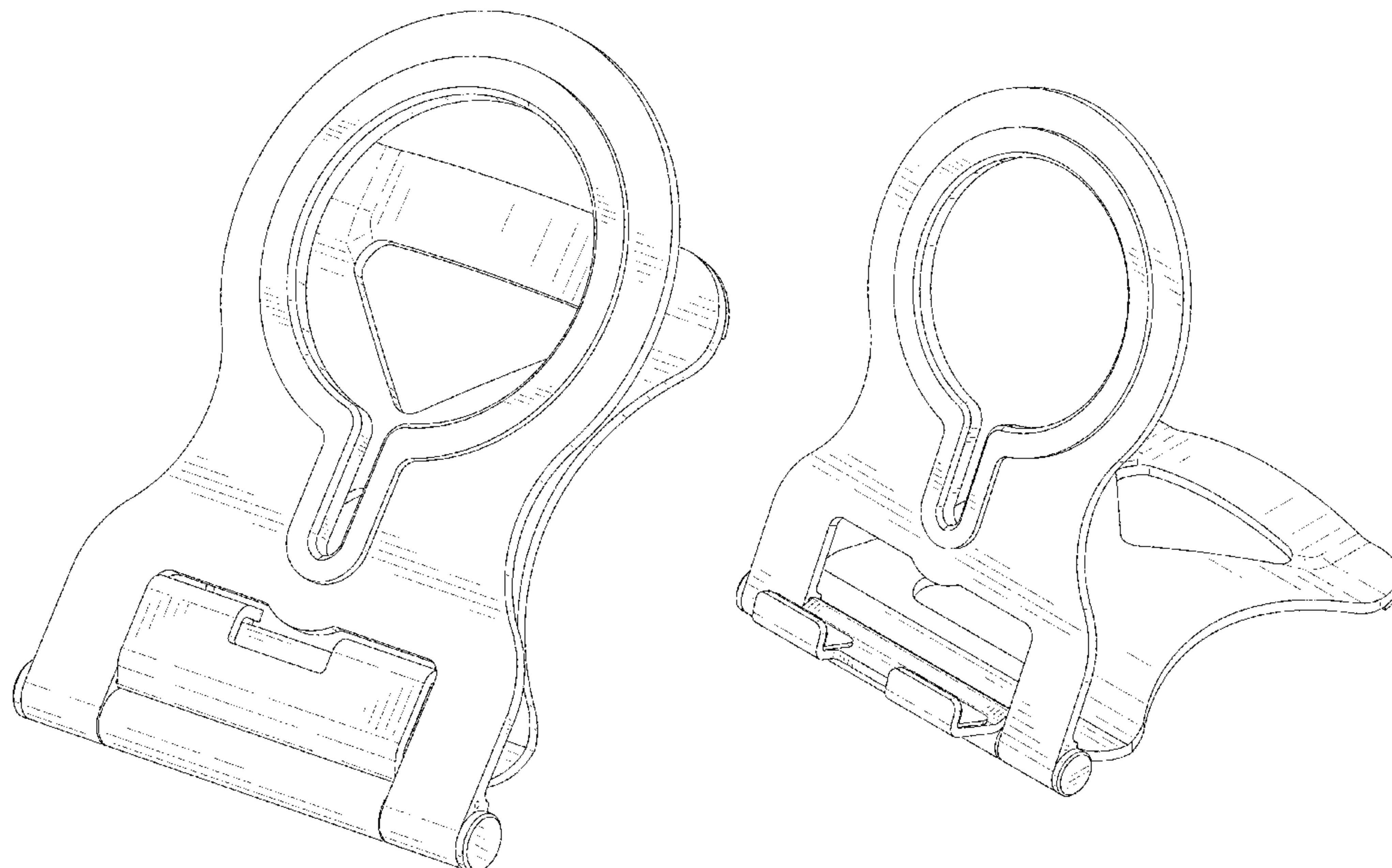
FIG. 8 is a bottom plan view thereof.

FIG. 9 is a perspective view of the stand for wireless charger where the stand for wireless charger is in a configuration of use; and,

FIG. 10 is another perspective view thereof.

The broken lines in the drawings depict portions of the stand for wireless charger that form no part of the claimed design.

1 Claim, 10 Drawing Sheets



(56)

References Cited

OTHER PUBLICATIONS

“Nillkin Foldable Stand”. Found online Jul. 26, 2022 at amazon.in. Reference dated Jan. 19, 2021. Retrieved from <https://www.amazon.in/Nillkin-Foldable-Tailored-Charging-Aluminium/dp/B08TCCRYLN>. (Year: 2021).*

“Jake Davy Wireless Magnetic Phone Charger”. Found online Jan. 21, 2022 at amazon.co.uk. Reference dated Aug. 6, 2021. Retrieved from <https://www.amazon.co.uk/Wireless-Magnetic-Charger-Mag-Safe-Charging-BLACK/dp/B09C1BMWW2>. (Year: 2021).*

* cited by examiner

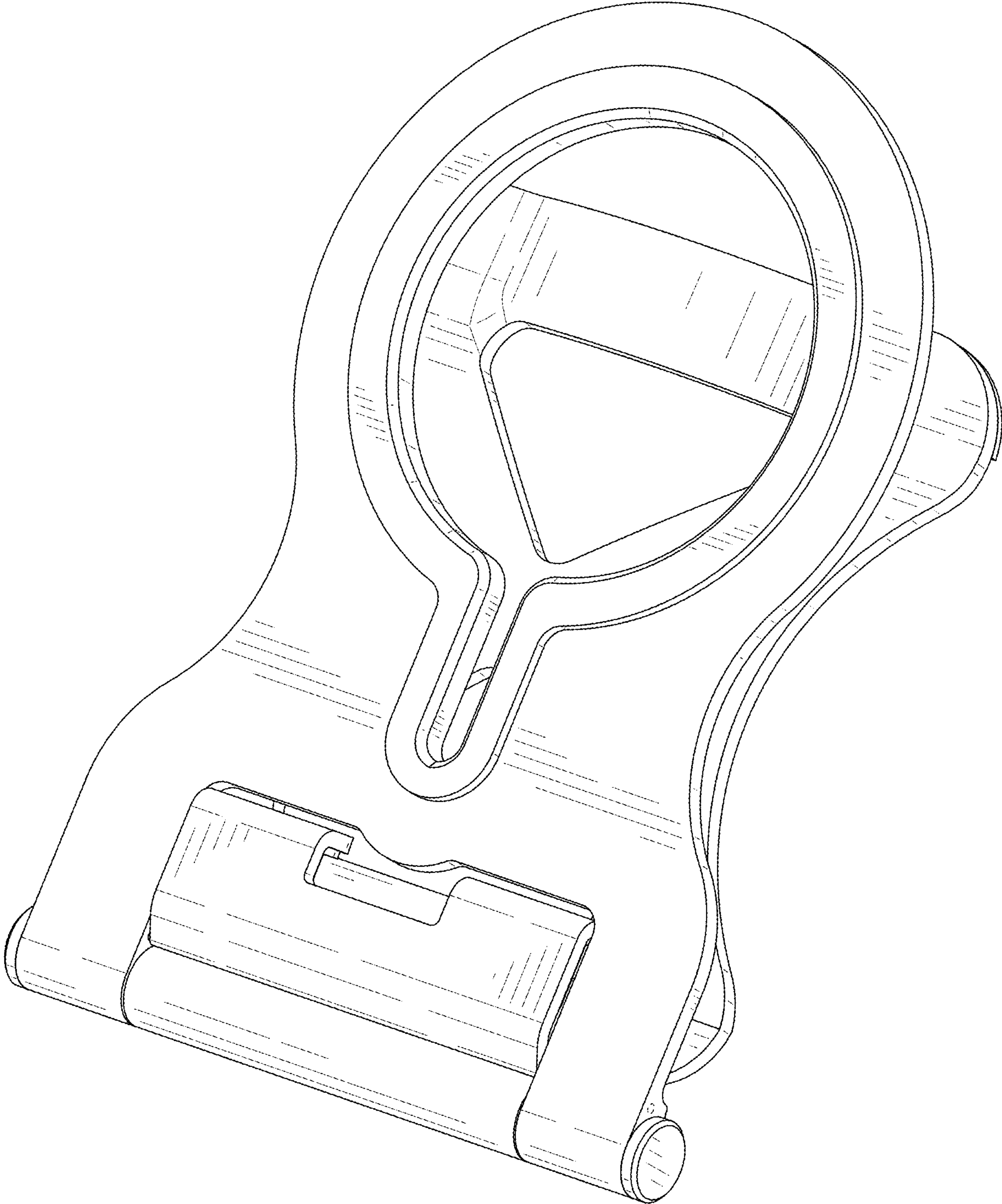


FIG. 1

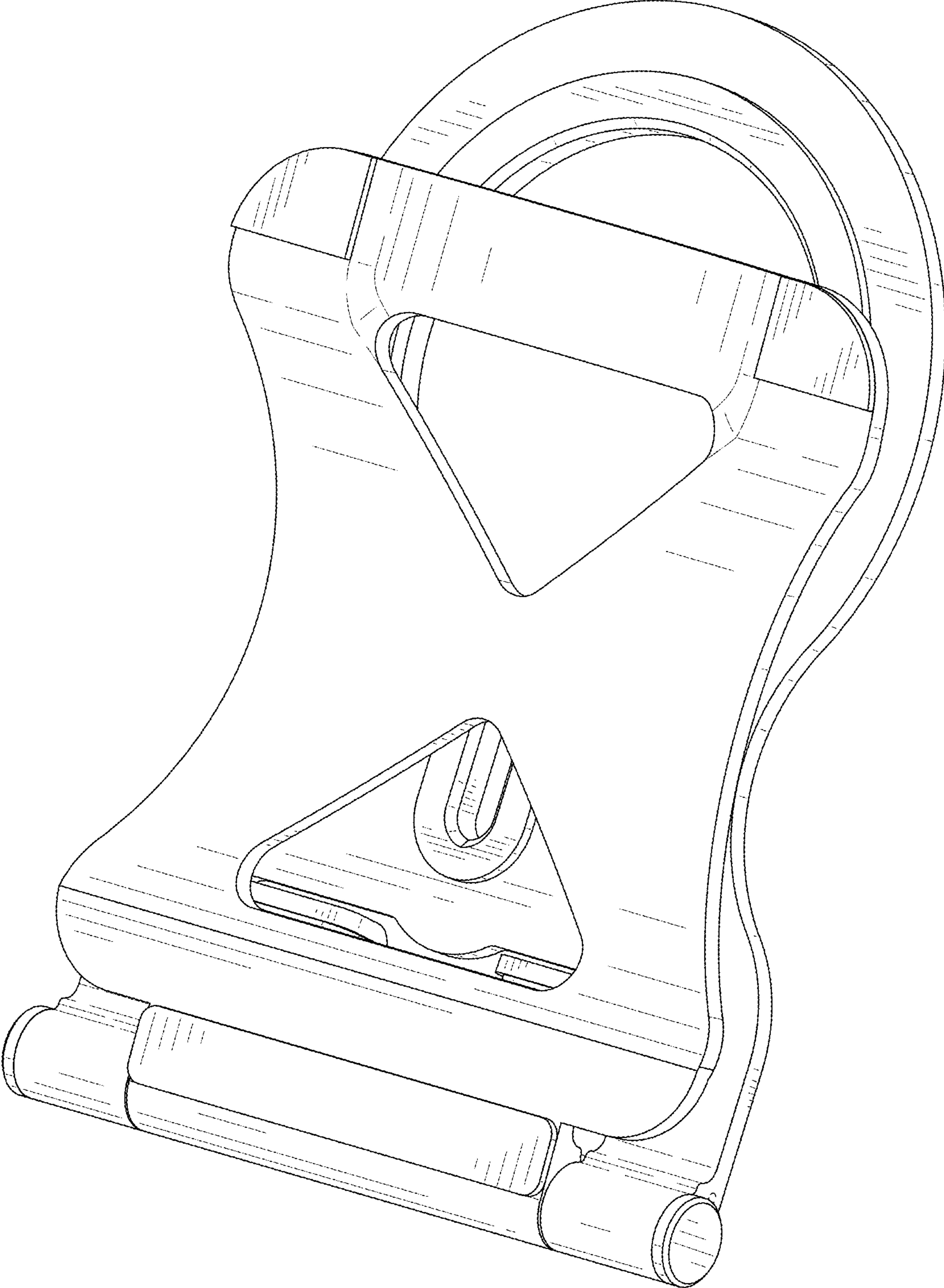


FIG. 2

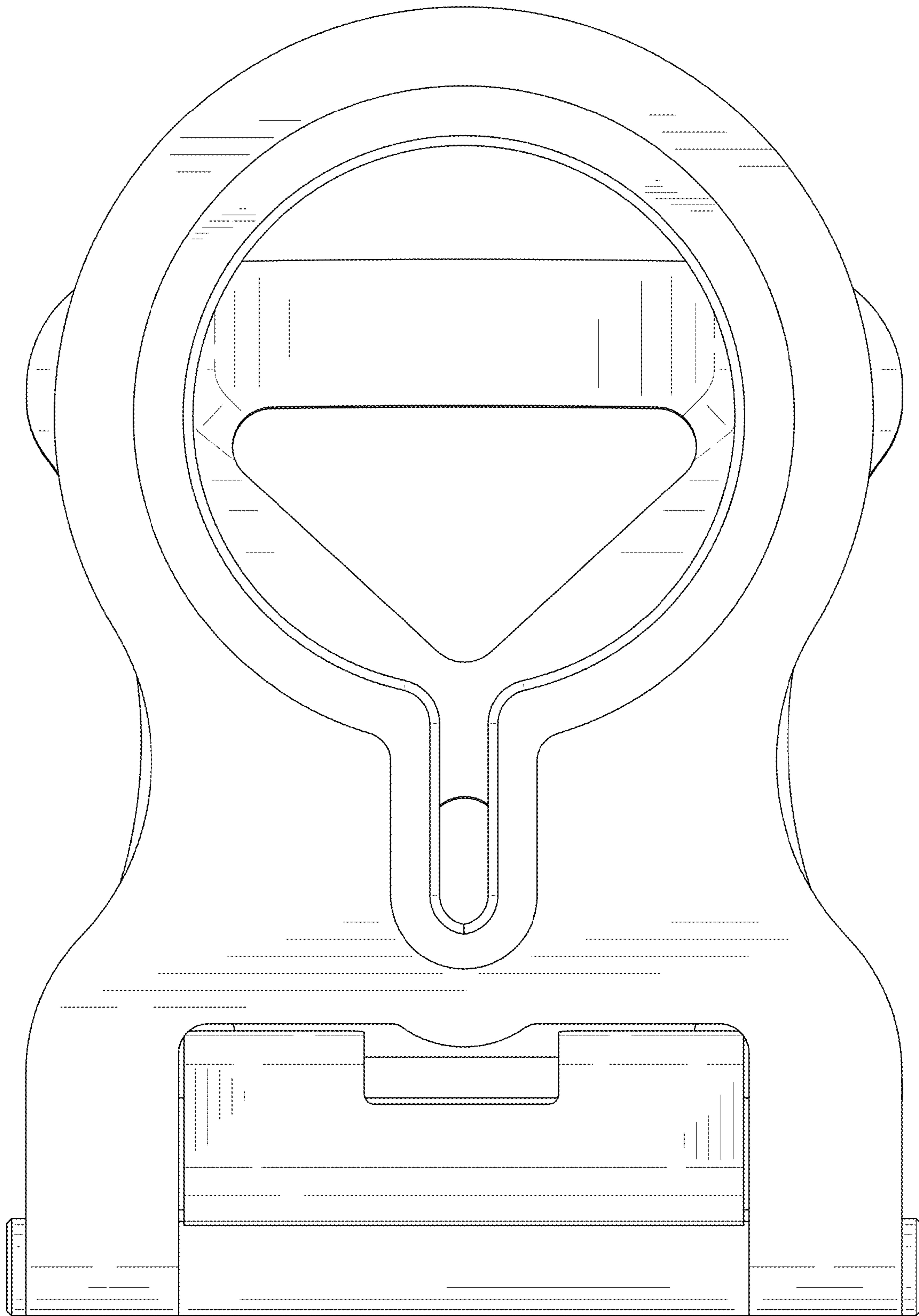


FIG. 3

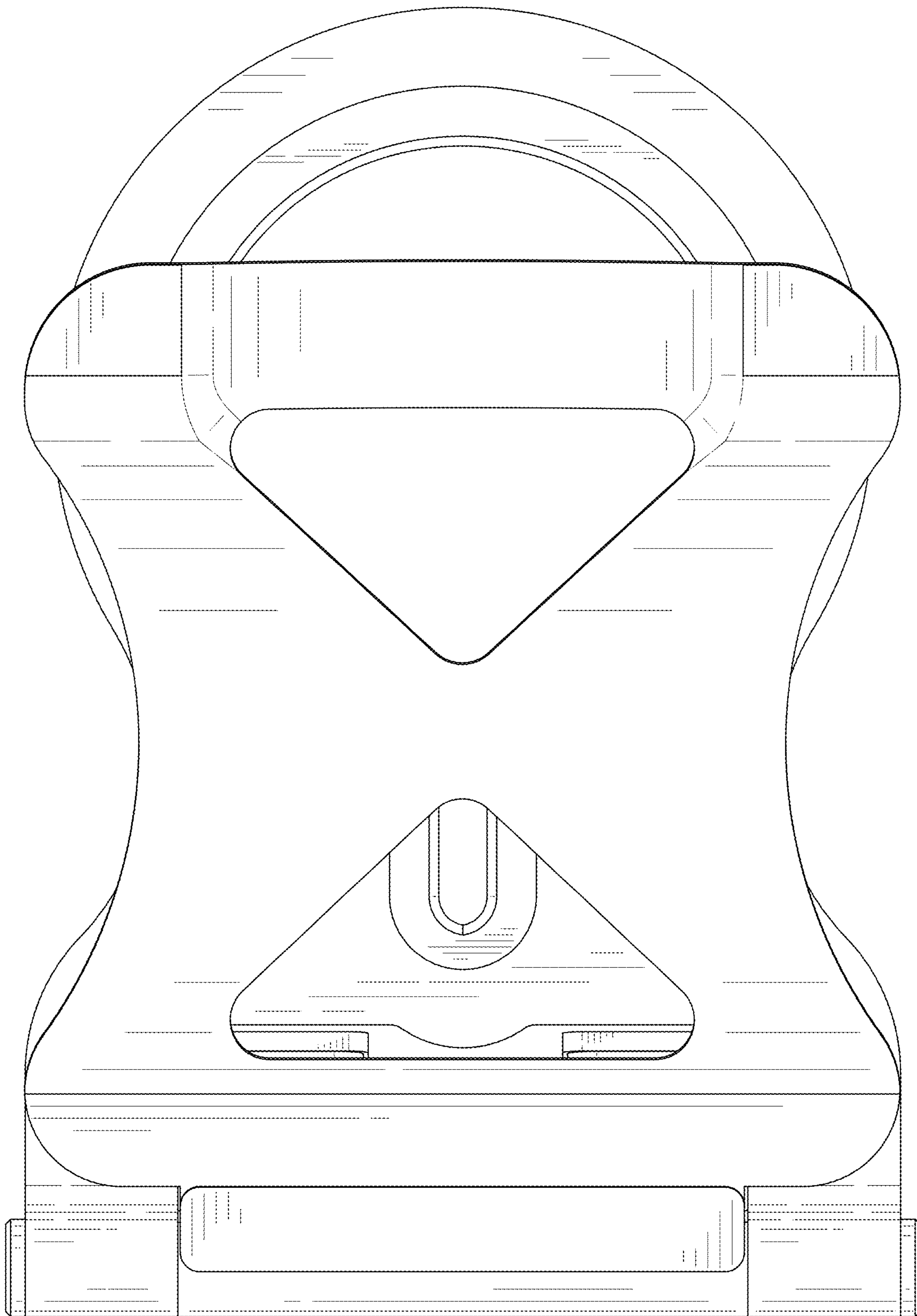


FIG. 4

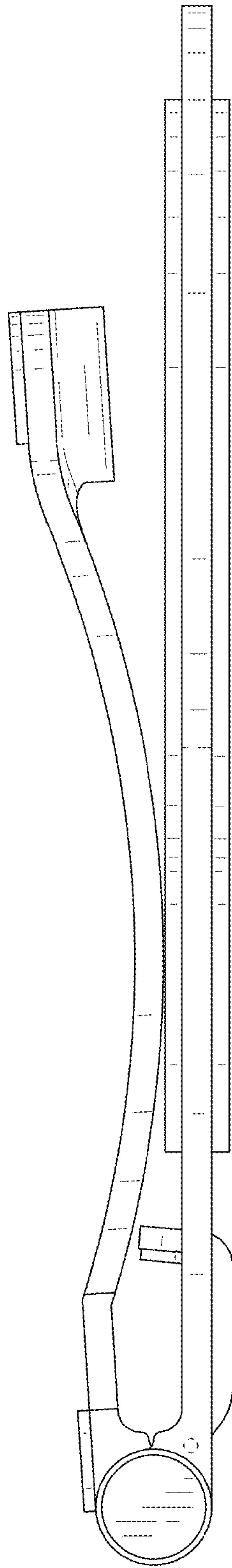


FIG. 5

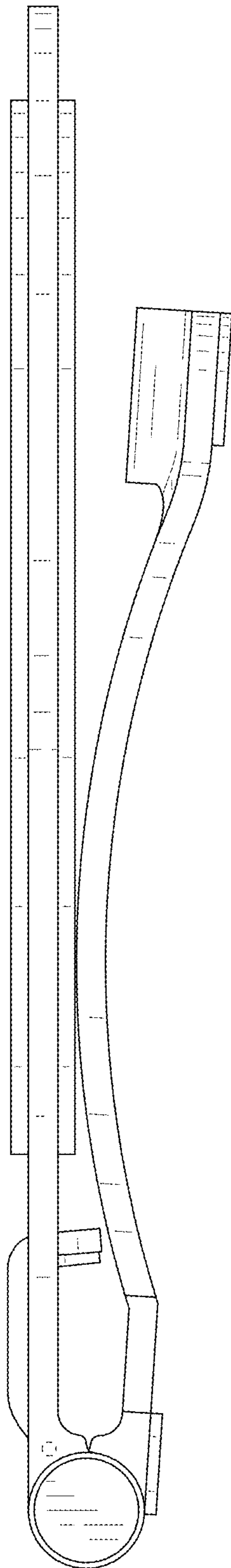


FIG. 6

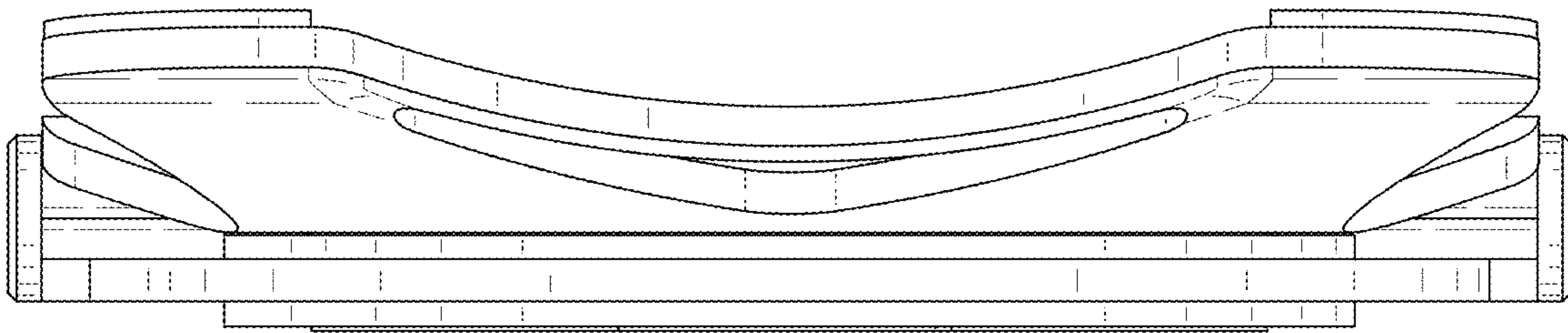


FIG. 7

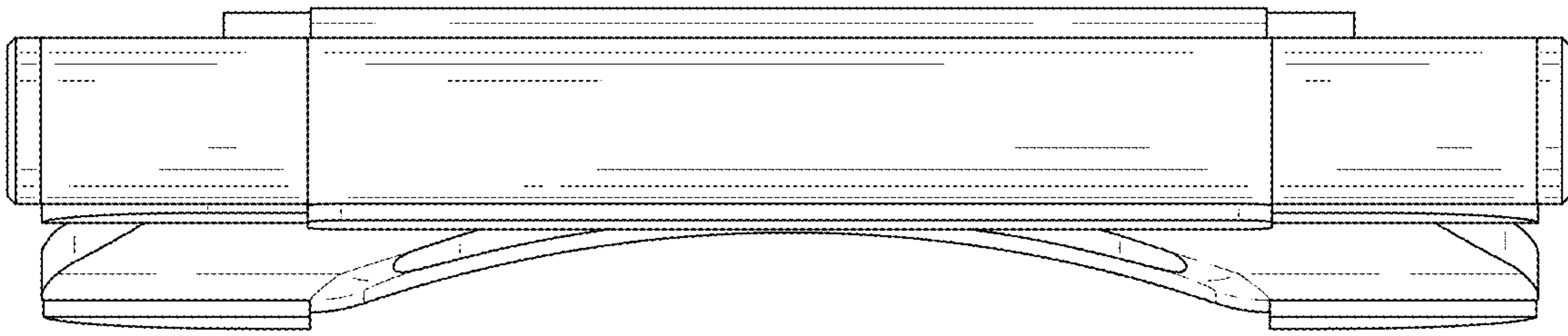


FIG. 8

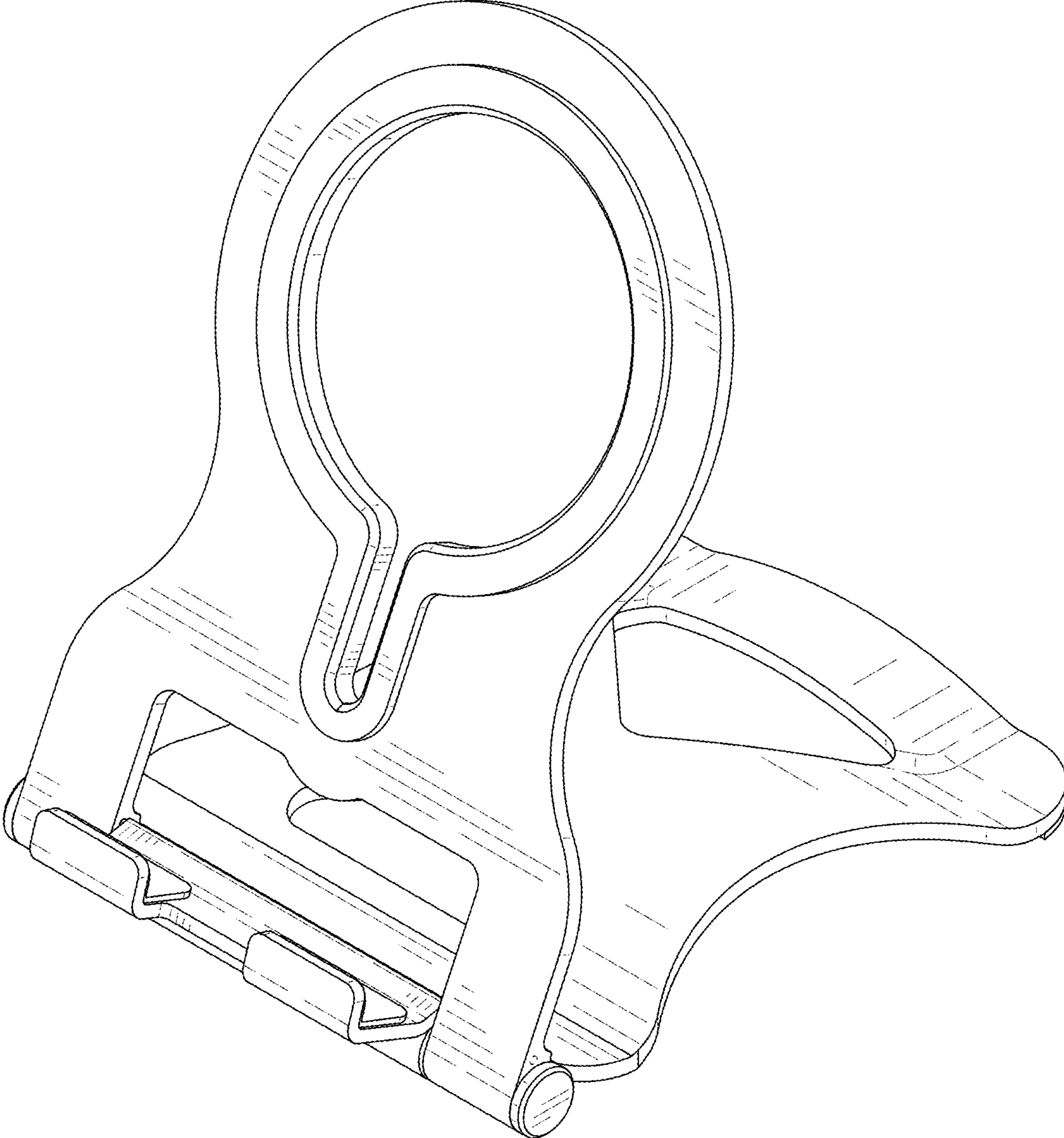


FIG. 9

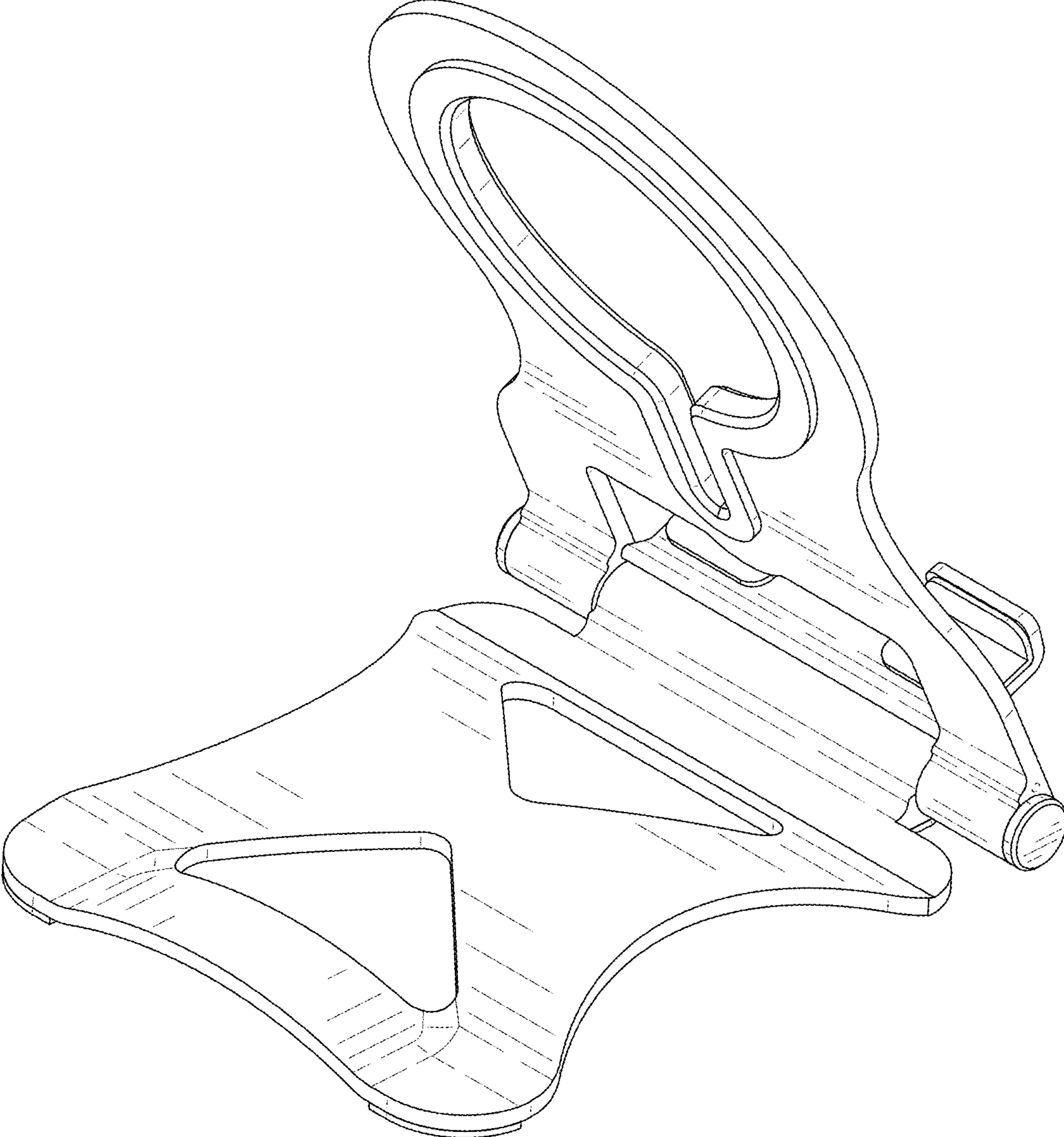


FIG. 10