



US00D968325S

(12) **United States Design Patent**  
**Jiang et al.**

(10) **Patent No.:** **US D968,325 S**

(45) **Date of Patent:** **\*\* Nov. 1, 2022**

(54) **WIRELESS CHARGING STAND**

(71) Applicant: **Shenzhen Esorun Technology Co., Ltd.**, Shenzhen (CN)

(72) Inventors: **Hongjun Jiang**, Shenzhen (CN); **Yi Zhang**, Shenzhen (CN); **Huaqi Dai**, Shenzhen (CN)

(73) Assignee: **SHENZHEN ESORUN TECHNOLOGY CO., LTD.**, Shenzhen (CN)

(\*\*) Term: **15 Years**

(21) Appl. No.: **29/800,746**

(22) Filed: **Jul. 23, 2021**

(30) **Foreign Application Priority Data**

Mar. 23, 2021 (CN) ..... 202130158008.1

(51) **LOC (13) Cl.** ..... **13-02**

(52) **U.S. Cl.**  
USPC ..... **D13/108**

(58) **Field of Classification Search**  
USPC ..... D13/103, 107, 108, 118, 119, 184, 199;  
D14/251, 253, 432, 433, 434, 439, 447  
CPC ..... H04B 1/3877; H02J 7/0027; H04M 1/026  
See application file for complete search history.

(56) **References Cited**

**U.S. PATENT DOCUMENTS**

D606,545 S \* 12/2009 Salmon ..... D14/434  
D674,337 S \* 1/2013 Au Yeung ..... D13/108  
D787,441 S \* 5/2017 Lee ..... D13/108  
9,723,735 B1 \* 8/2017 Kim ..... F16M 11/041  
10,920,929 B1 \* 2/2021 Heroux ..... F16M 13/04  
D911,940 S \* 3/2021 Roberts ..... D13/108  
D920,237 S 5/2021 Huang et al.  
D930,582 S \* 9/2021 Lee ..... D13/108  
D935,692 S \* 11/2021 Courtney ..... D28/38

D937,775 S \* 12/2021 Maloney ..... D13/108  
D940,076 S \* 1/2022 Jiang ..... D13/108  
D940,077 S \* 1/2022 Jiang ..... D13/108

(Continued)

**OTHER PUBLICATIONS**

“Esorun Wireless Charger Stand”. Found online Jun. 13, 2022 at amazon.com. Reference dated Oct. 24, 2021. Retrieved from https://www.amazon.com/Wireless-Charger-Charging-Compact-Samsung/dp/B09C275FDG/ref=sr\_1\_1?th=1. (Year: 2021).\*

(Continued)

*Primary Examiner* — Kendra Leslie Hamilton  
*Assistant Examiner* — Amanda Christensen

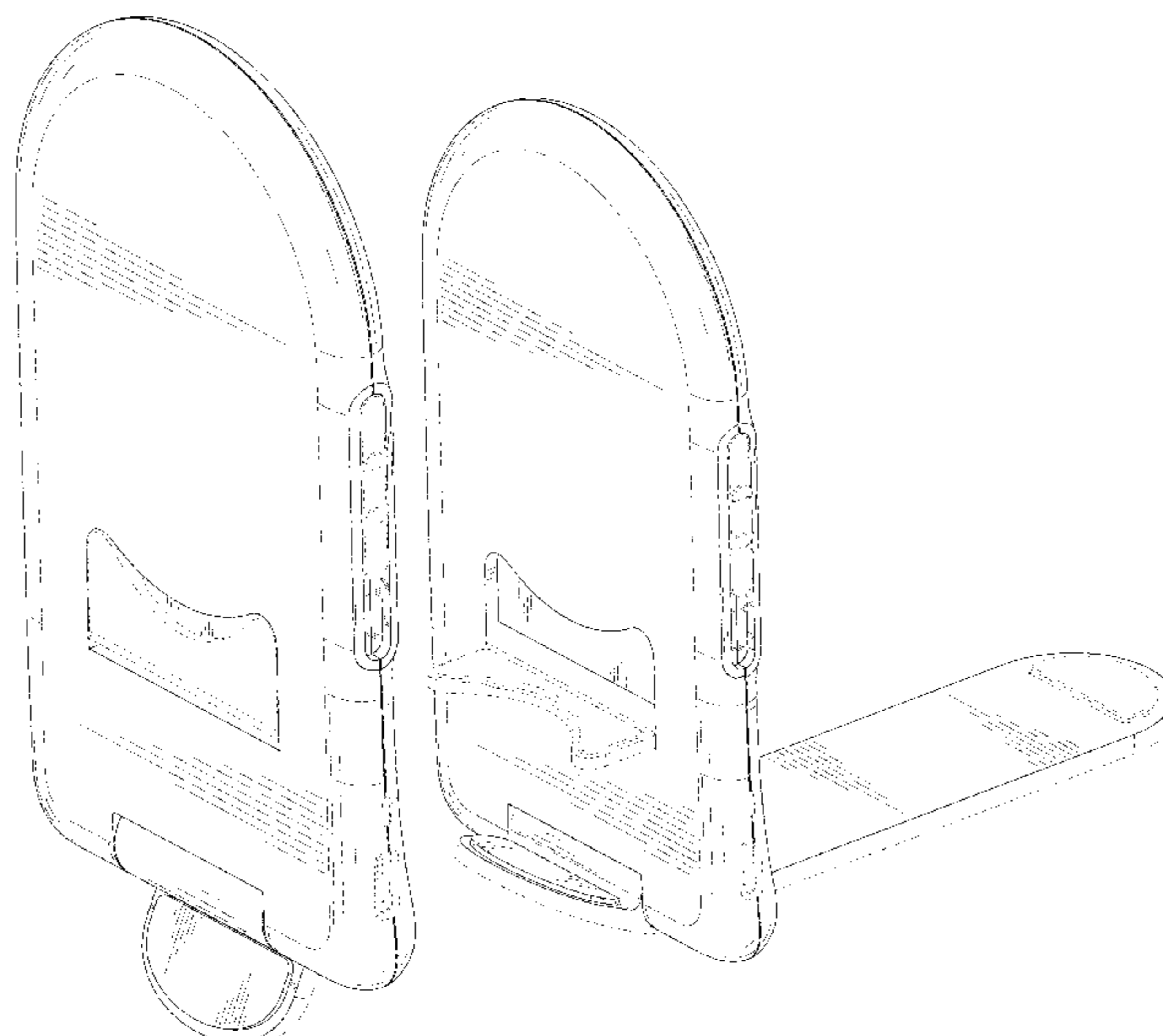
(57) **CLAIM**

The ornamental design for a wireless charging stand, as shown and described.

**DESCRIPTION**

FIG. 1 is a perspective view of a wireless charging stand showing our new design;  
FIG. 2 is another perspective view thereof;  
FIG. 3 is a front elevational view thereof;  
FIG. 4 is a rear elevational view thereof;  
FIG. 5 is a left side elevational view thereof;  
FIG. 6 is a right side elevational view thereof;  
FIG. 7 is a top plan view thereof;  
FIG. 8 is a bottom plan view thereof;  
FIG. 9 is a perspective view showing the wireless charging stand in a use state;  
FIG. 10 is another perspective view showing the wireless charging stand in a second use state; and,  
FIG. 11 is an enlarged view of the wireless charging stand shown within the area designated as 11 in FIG. 3.  
The broken lines in the drawings depict portions of the wireless charging stand that form no part of the claimed design.

**1 Claim, 11 Drawing Sheets**



(56)

**References Cited**

U.S. PATENT DOCUMENTS

D952,562 S \* 5/2022 Akana ..... D13/119  
11,359,761 B2 \* 6/2022 Liu ..... F16M 11/10

OTHER PUBLICATIONS

“Konga Adjustable Folding Stent”. Found online Jun. 14, 2022 at konga.com. Reference dated Oct. 5, 2020. Retrieved from [https://tineye.com/search/635c2d31cd9ba8d041d9ee1735c64a5354b202a7?sort=crawl\\_date&order=asc&page=1](https://tineye.com/search/635c2d31cd9ba8d041d9ee1735c64a5354b202a7?sort=crawl_date&order=asc&page=1). (Year: 2020).\*

“Jake Davy Wireless Magnetic Phone Charger”. Found online Jan. 21, 2022 at amazon.co.uk. Reference dated Aug. 6, 2021. Retrieved from <https://www.amazon.co.uk/Wireless-Magnetic-Charger-Mag-Safe-Charging-BLACK/dp/B09C1BMWW2>. (Year: 2021).\*

\* cited by examiner

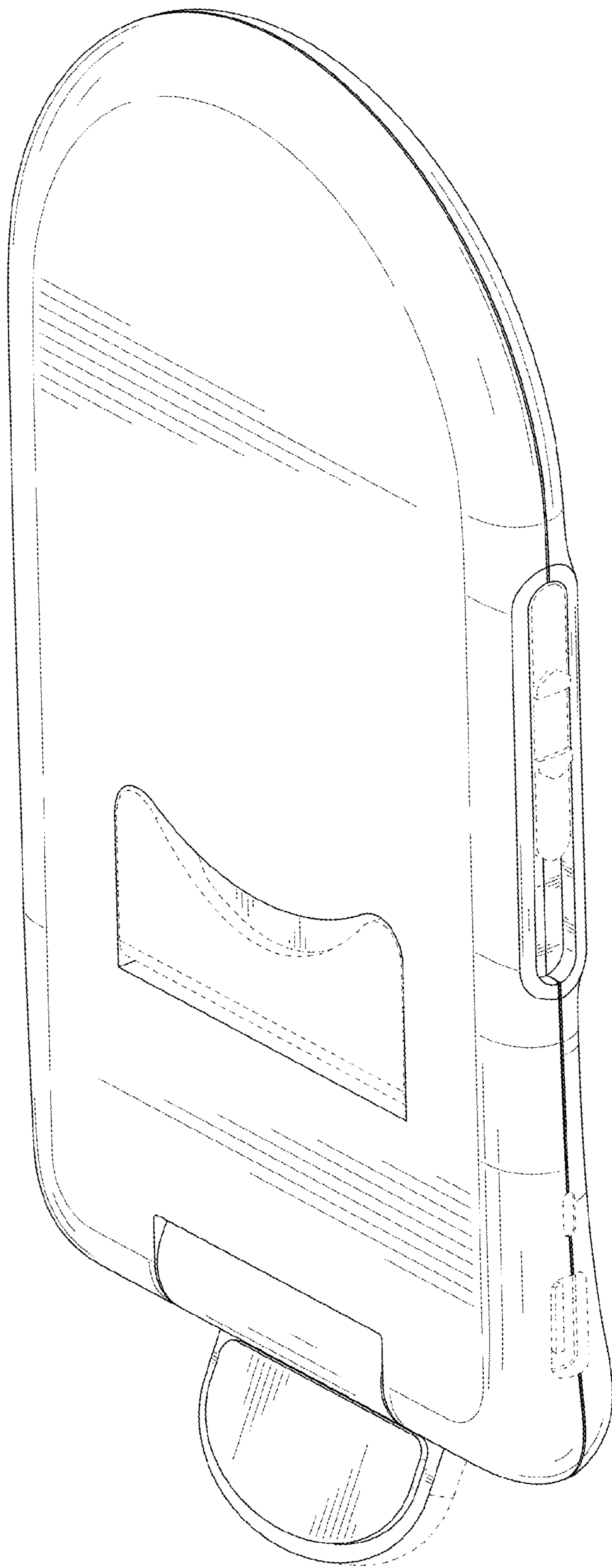


FIG. 1

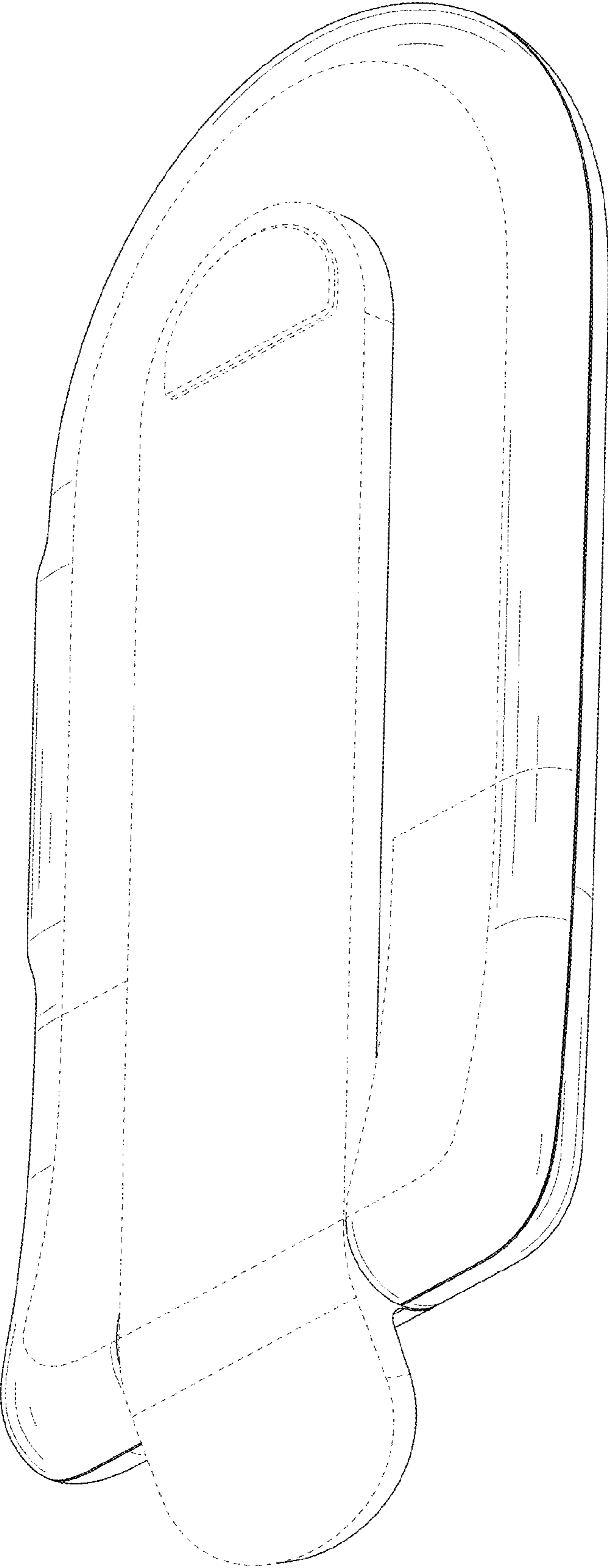


FIG. 2

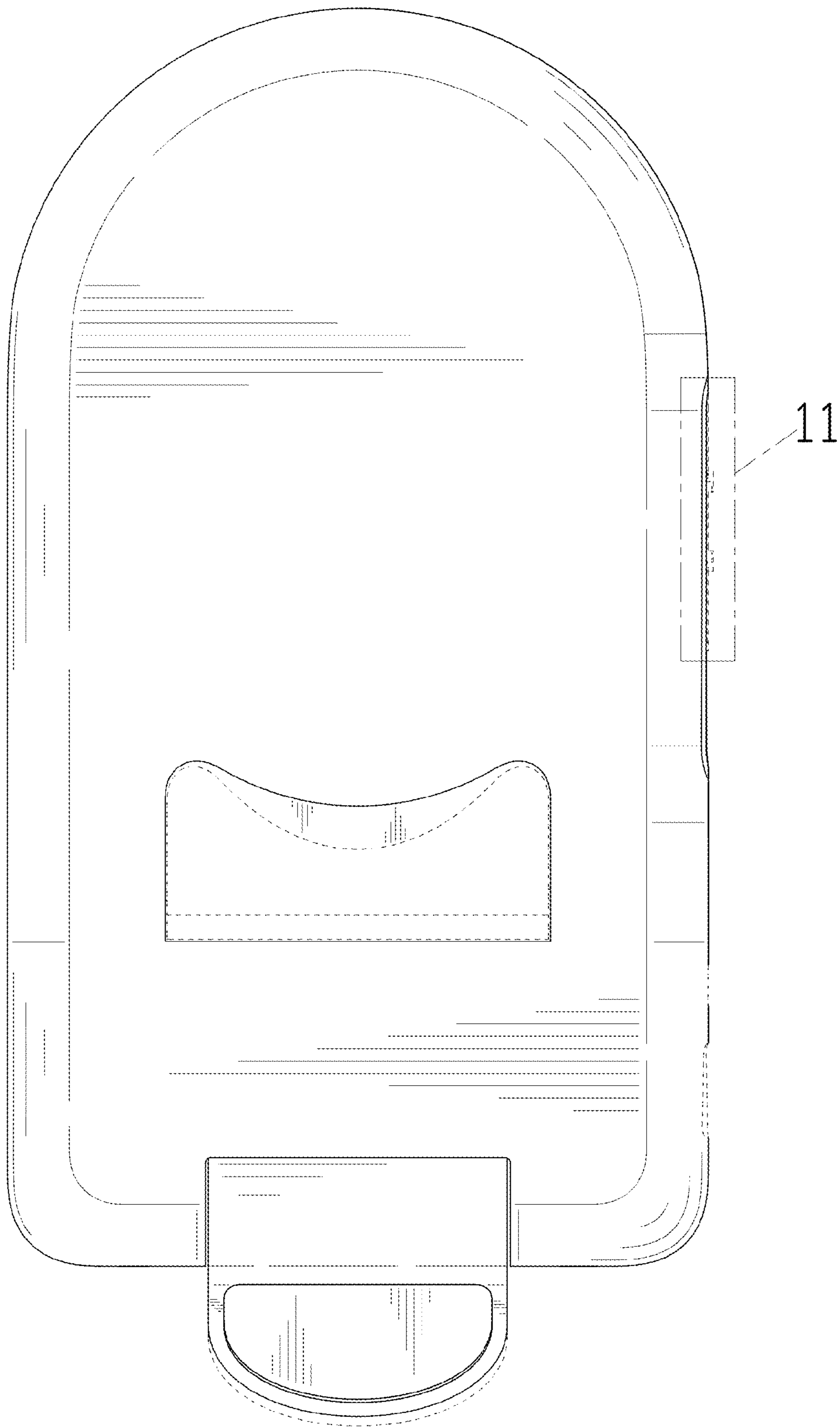


FIG. 3

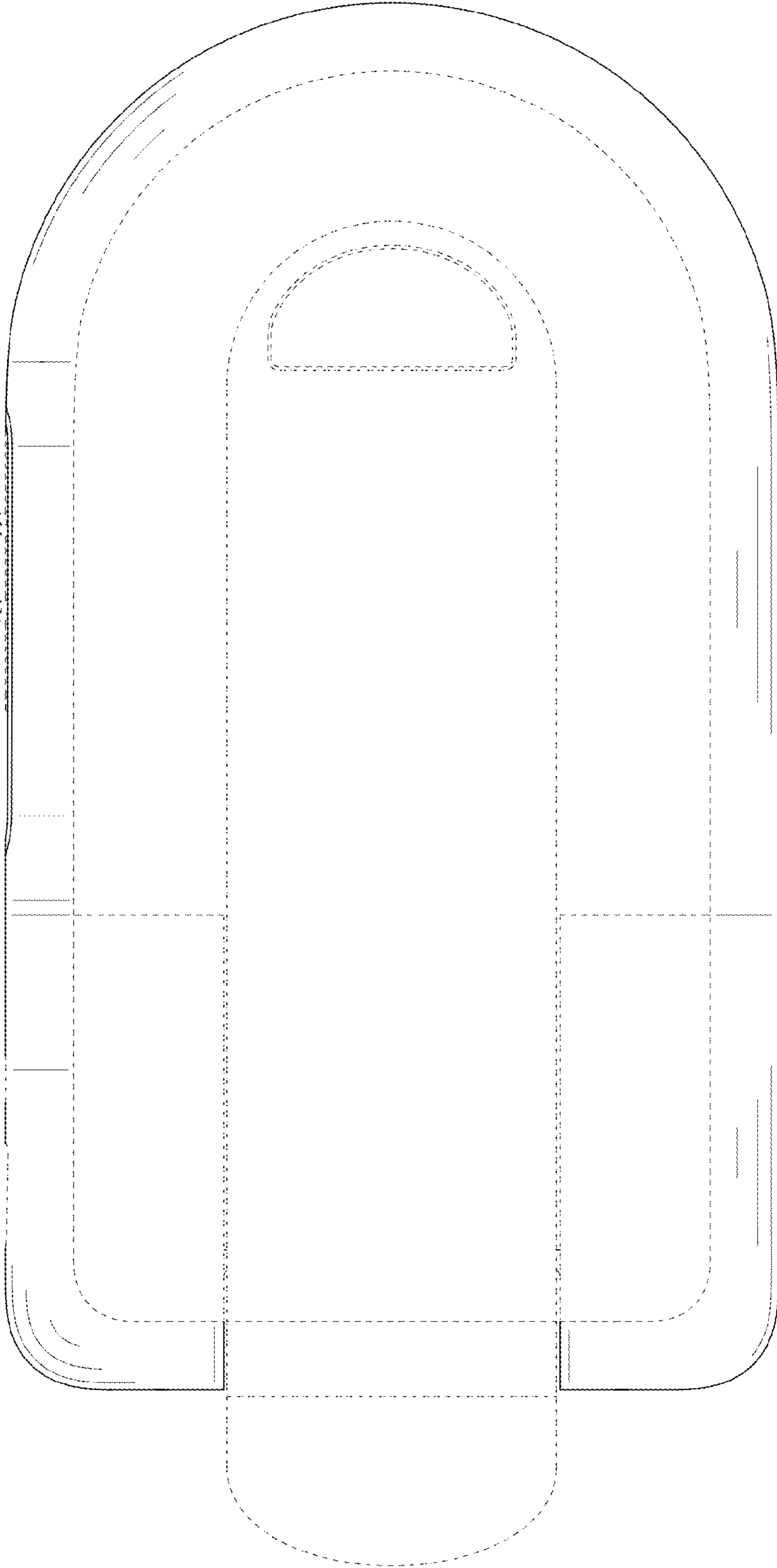


FIG. 4

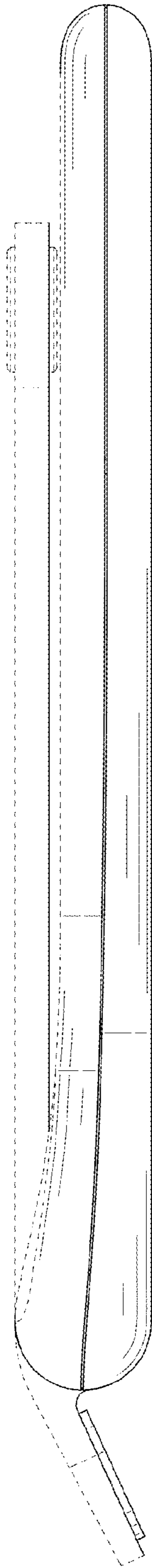


FIG. 5

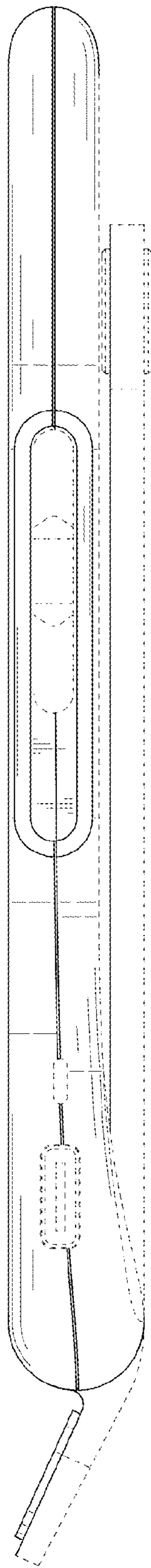


FIG. 6



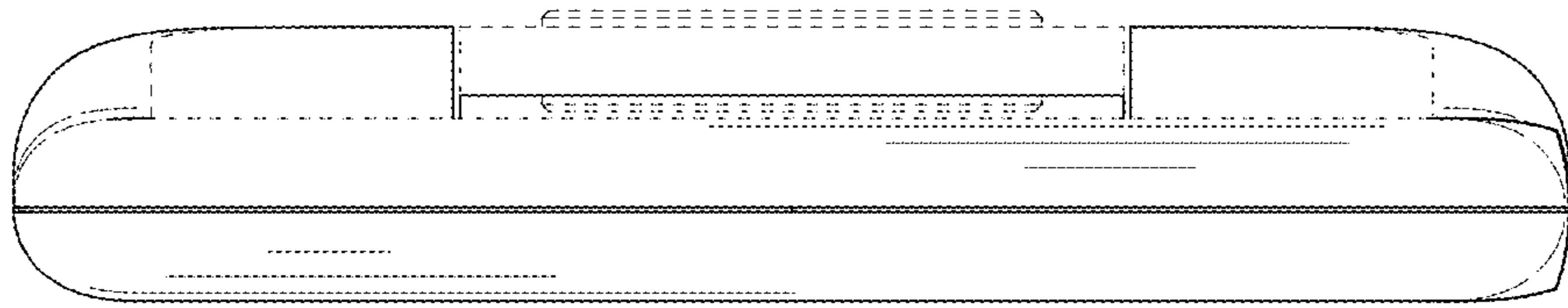


FIG. 7

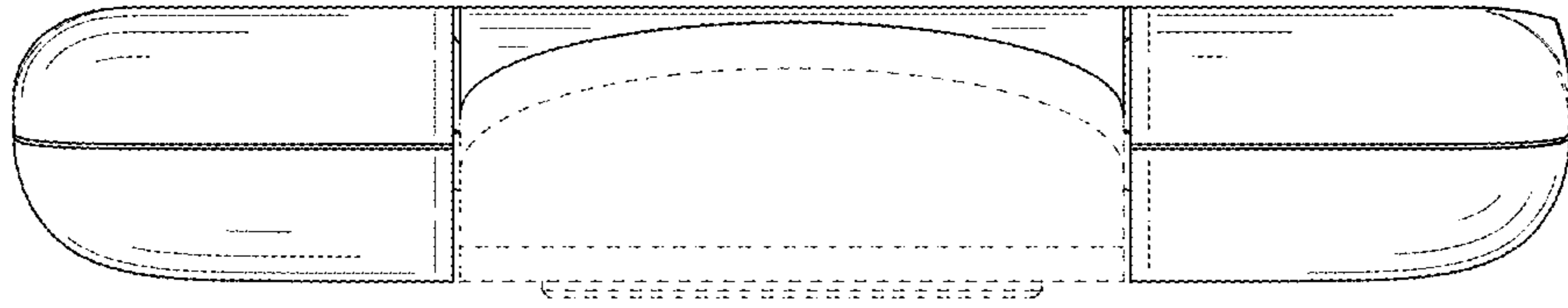


FIG. 8

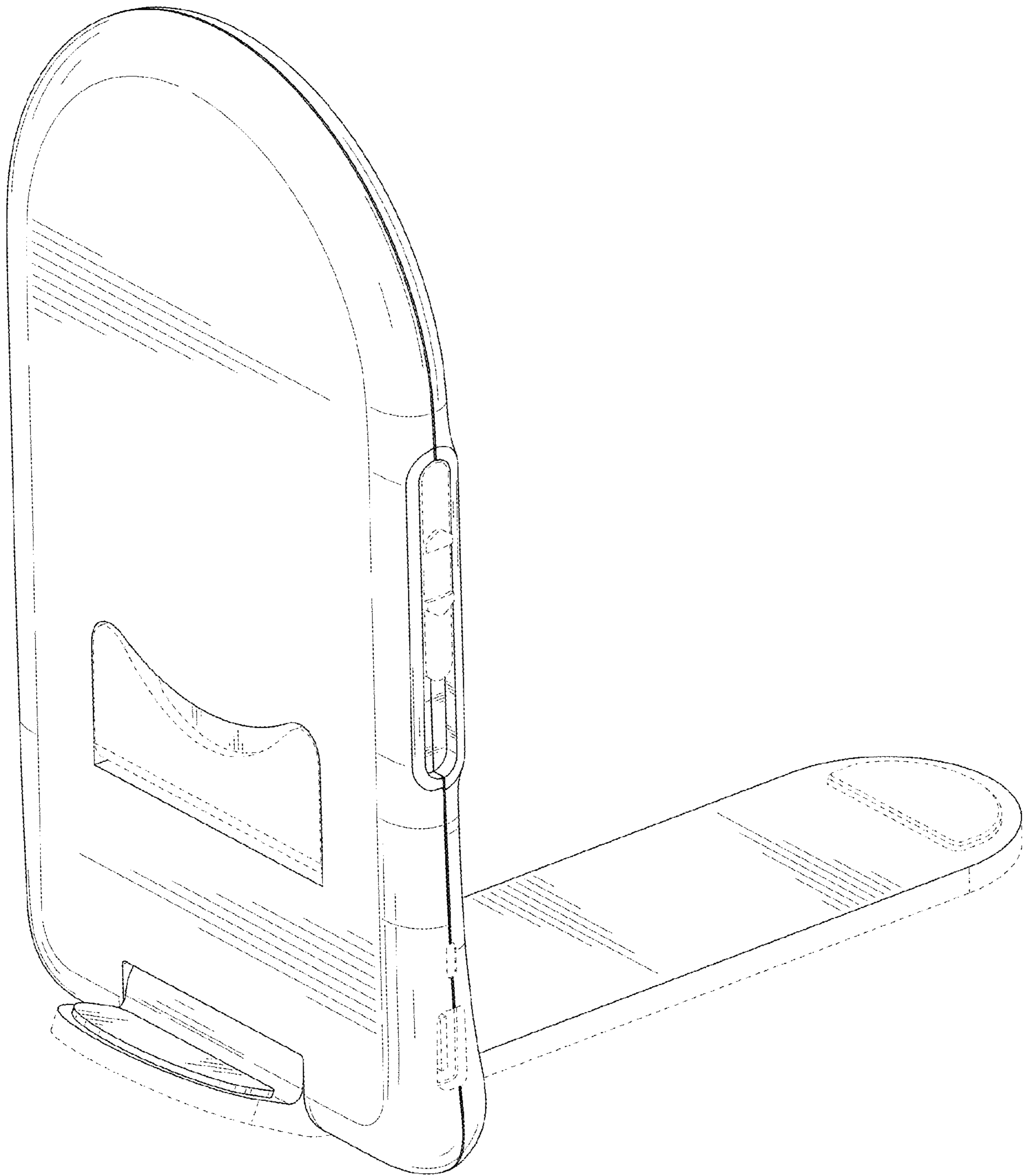


FIG. 9

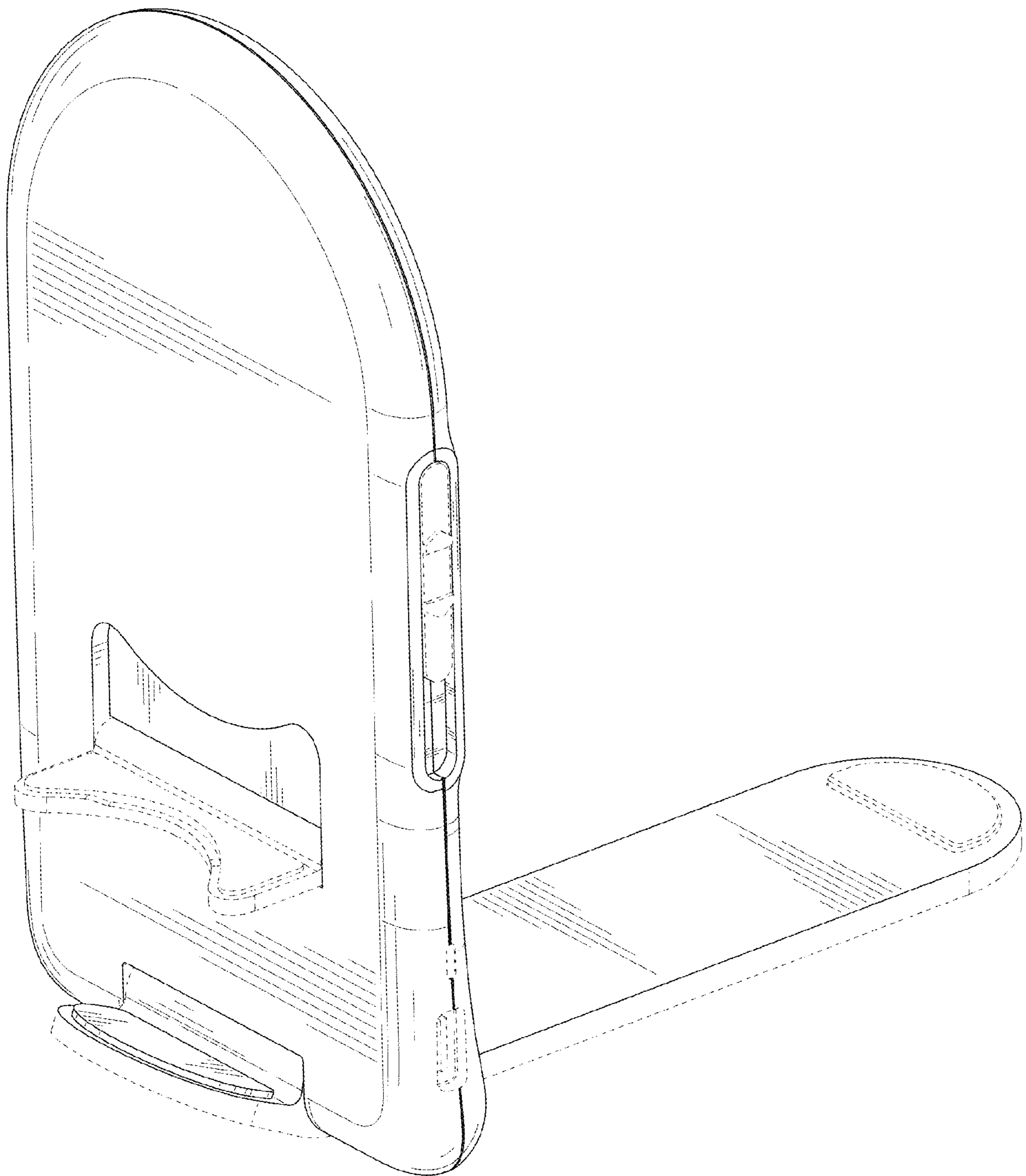


FIG. 10

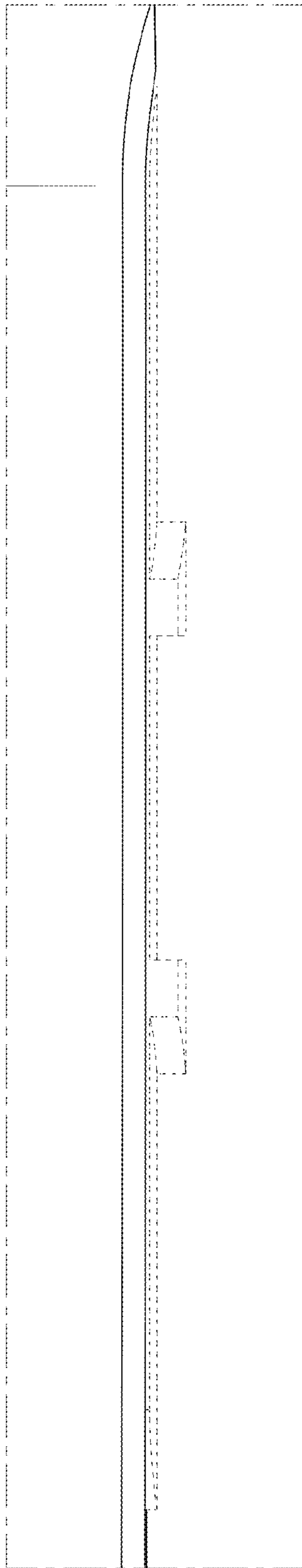


FIG. 11