



US00D968323S

(12) **United States Design Patent**
Wang

(10) **Patent No.:** **US D968,323 S**

(45) **Date of Patent:** **** Nov. 1, 2022**

(54) **CHARGING STAND**

(71) Applicant: **Li Wang**, Fuyang (CN)

(72) Inventor: **Li Wang**, Fuyang (CN)

(**) Term: **15 Years**

(21) Appl. No.: **29/790,728**

(22) Filed: **Dec. 13, 2021**

(30) **Foreign Application Priority Data**

Oct. 9, 2021 (CN) 202130663380.8

(51) **LOC (13) Cl.** **13-02**

(52) **U.S. Cl.**
USPC **D13/108**

(58) **Field of Classification Search**
USPC D13/103, 107, 108, 110, 118, 151, 153,
D13/154, 155, 184
CPC Y02E 60/10; Y02E 60/50; H01M 50/10;
H01M 50/107; H01M 50/557; H01M
50/209; H01M 50/502; H01M 2220/30;
H02J 7/00; H02J 7/0003; H02J 7/0011;
H02J 7/0013; H02J 7/0054; H02J 7/0055;
H02J 7/0057

See application file for complete search history.

(56) **References Cited**

U.S. PATENT DOCUMENTS

D776,053 S * 1/2017 Barnard D13/108
D788,699 S * 6/2017 Hoehn D13/107
D829,650 S 10/2018 Buller
D859,308 S * 9/2019 Connell D13/108
D890,090 S 7/2020 Hernandez et al.
D920,237 S * 5/2021 Huang D13/108
D920,239 S * 5/2021 Cheng D13/108

D920,240 S * 5/2021 Xiao D13/108
D920,241 S * 5/2021 Xiao D13/108
D926,126 S * 7/2021 DeMaio D13/108
D930,582 S * 9/2021 Lee D13/108
D930,583 S * 9/2021 Lee D13/108
D931,209 S * 9/2021 Hahn D13/108
D931,211 S * 9/2021 Cheng D13/108
D934,172 S 10/2021 Lin et al.
D935,397 S * 11/2021 Brisebras D13/108
D935,399 S * 11/2021 Lin D13/108
D944,198 S * 2/2022 Wu D13/108
D955,330 S * 6/2022 Jiang D13/108
D955,332 S * 6/2022 Wang D13/108
D956,692 S * 7/2022 Turksu D14/447
2020/0185952 A1 * 6/2020 Morrow H02J 50/005

* cited by examiner

Primary Examiner — Christy Nemeth

(74) *Attorney, Agent, or Firm* — Zhihua Han

(57) **CLAIM**

The ornamental design for a charging stand, as shown and described.

DESCRIPTION

FIG. 1 is a first perspective view of a charging stand showing my new design;

FIG. 2 is a second perspective view thereof;

FIG. 3 is a front view thereof;

FIG. 4 is a back view thereof;

FIG. 5 is a left side view thereof;

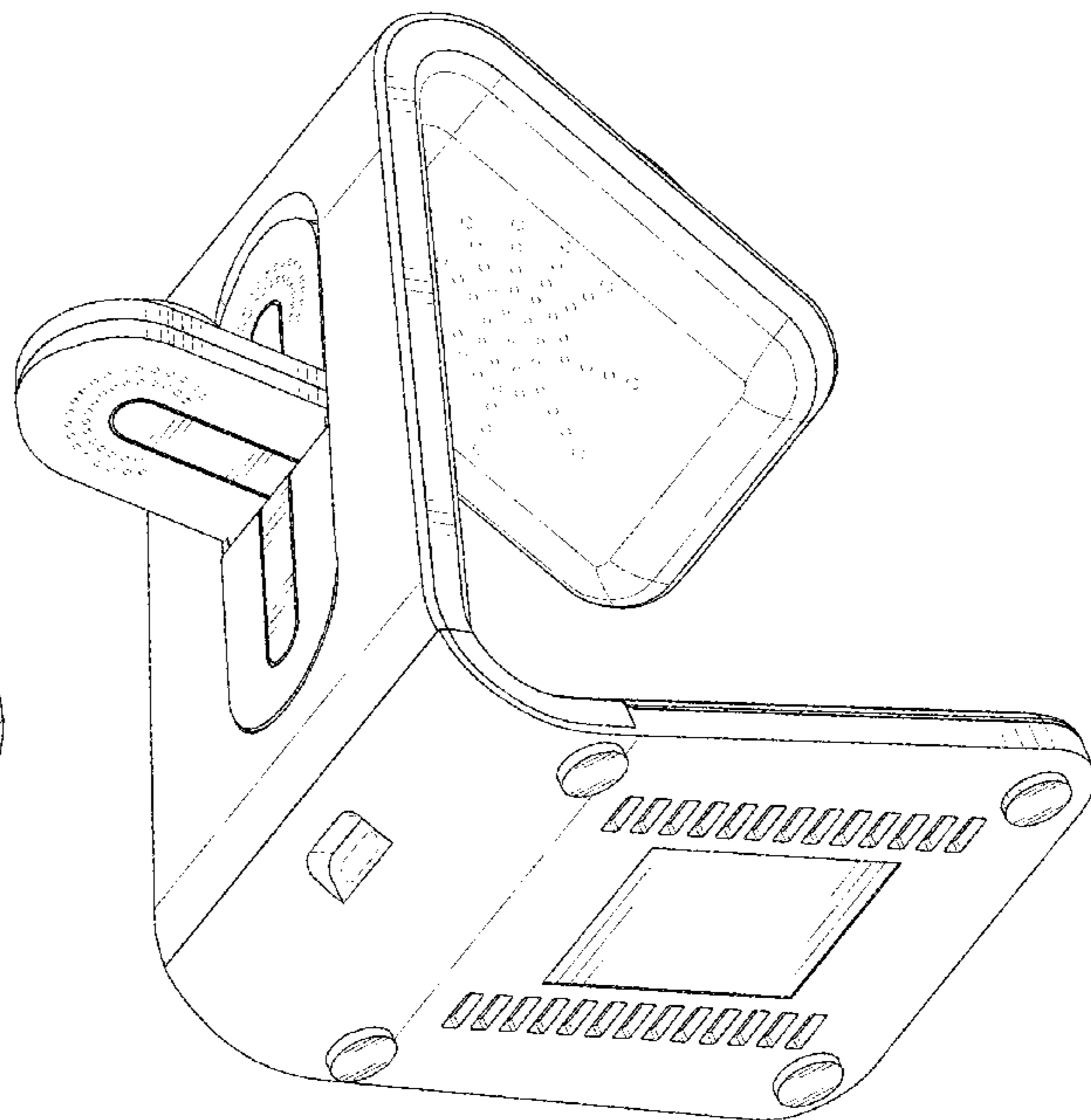
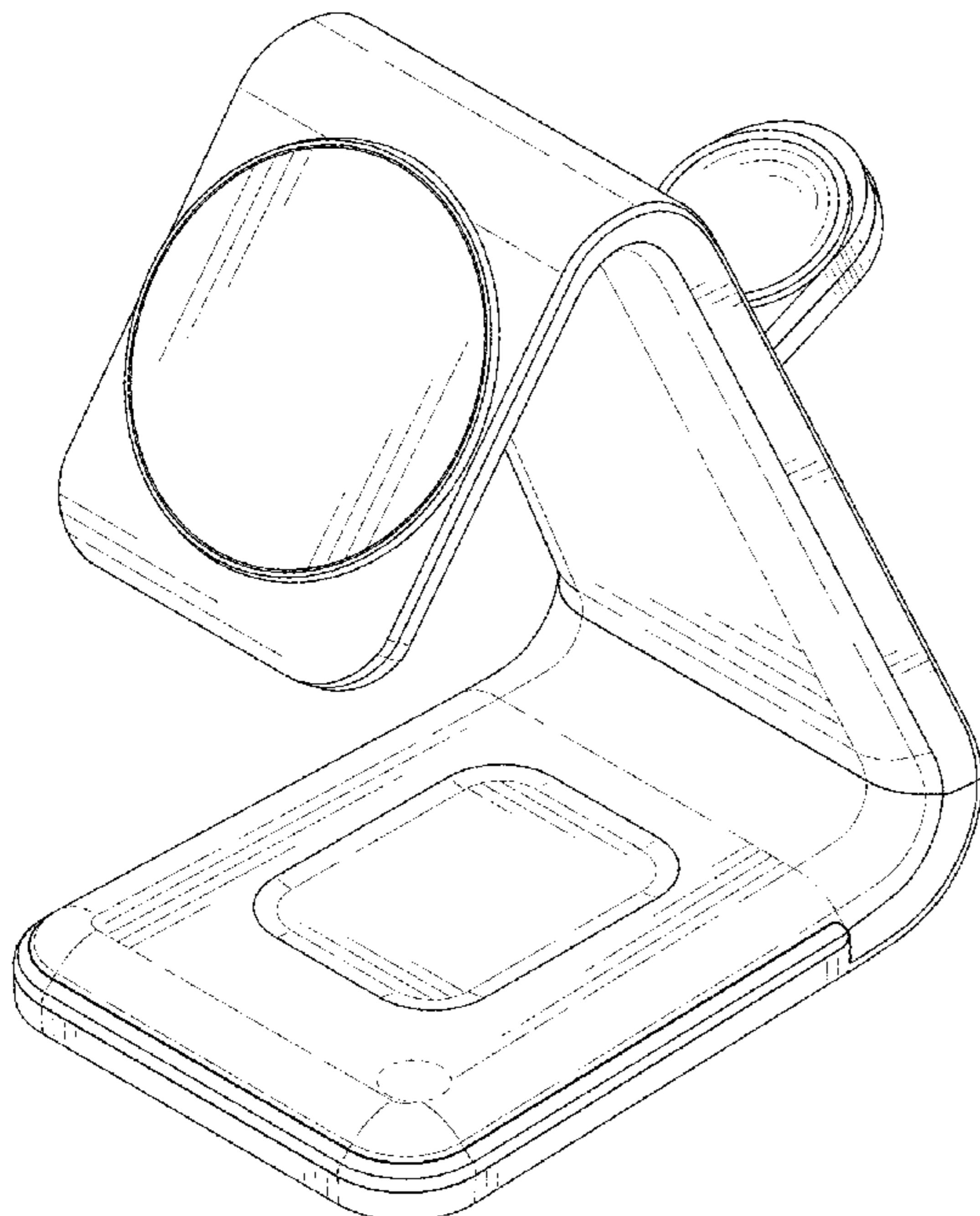
FIG. 6 is a right side view thereof;

FIG. 7 is a top view thereof; and,

FIG. 8 is a bottom view thereof.

The broken lines shown in the drawings depict portions of the charging stand in which the design is embodied that form no part of the claimed design.

1 Claim, 8 Drawing Sheets



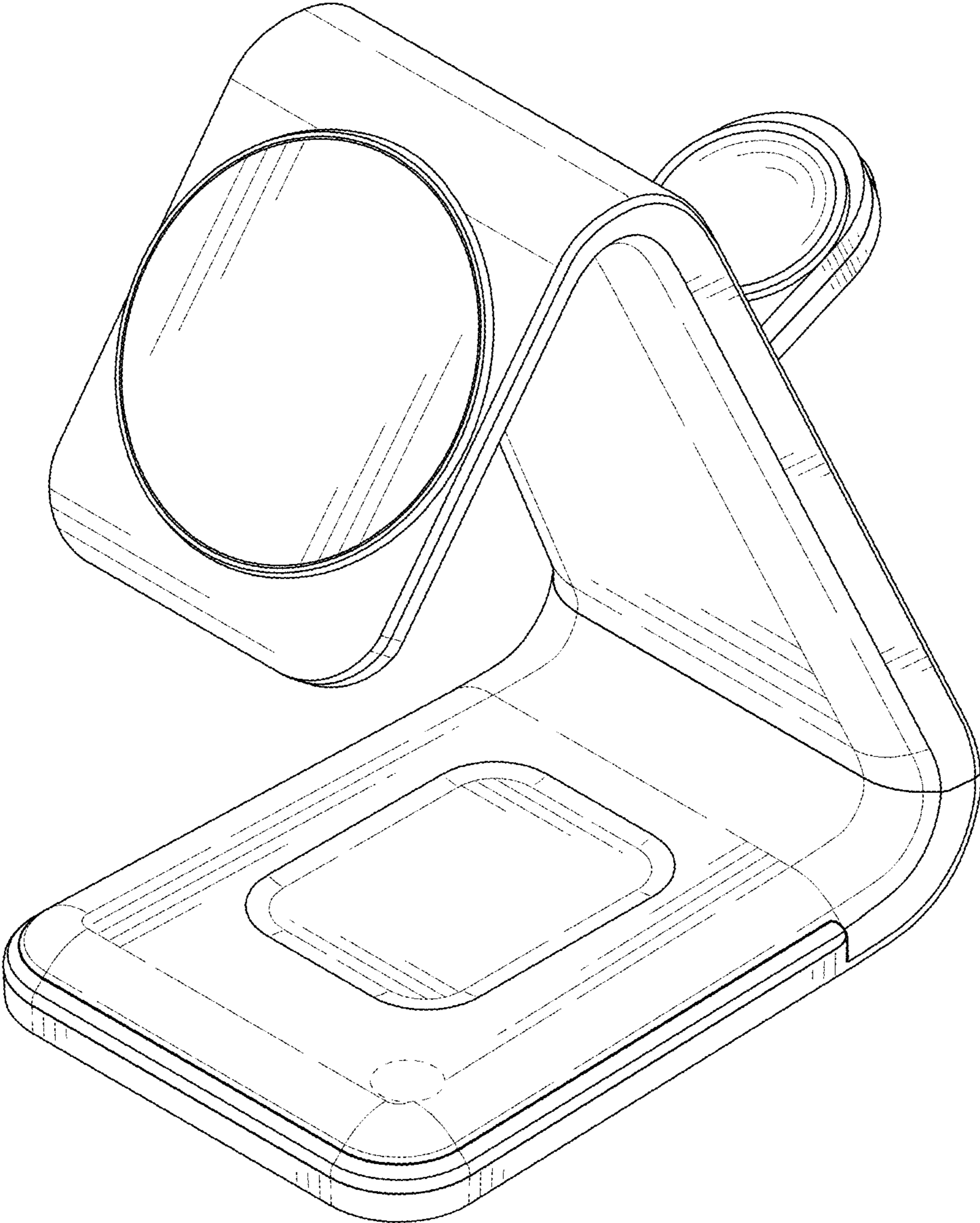


FIG. 1

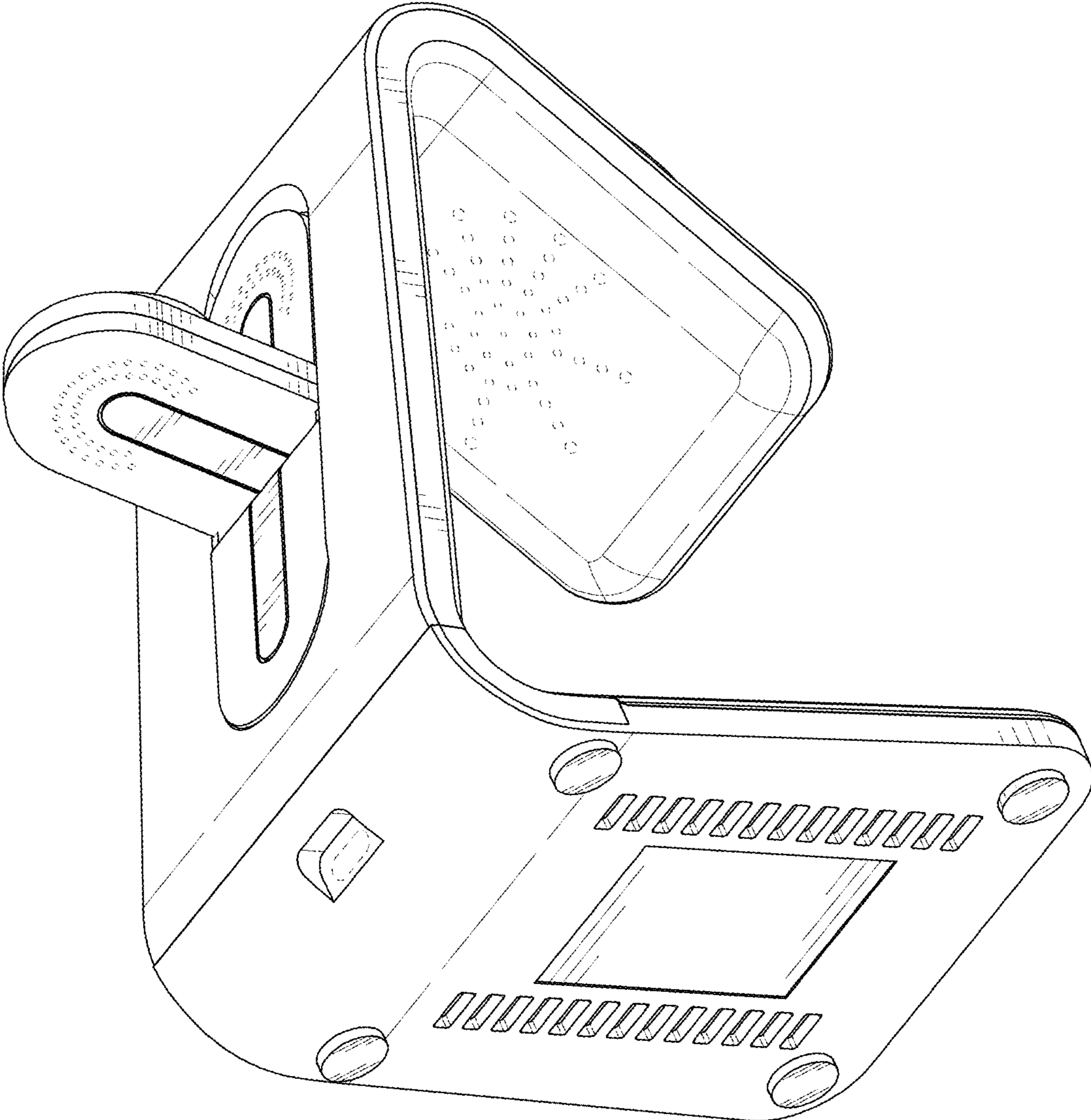


FIG. 2

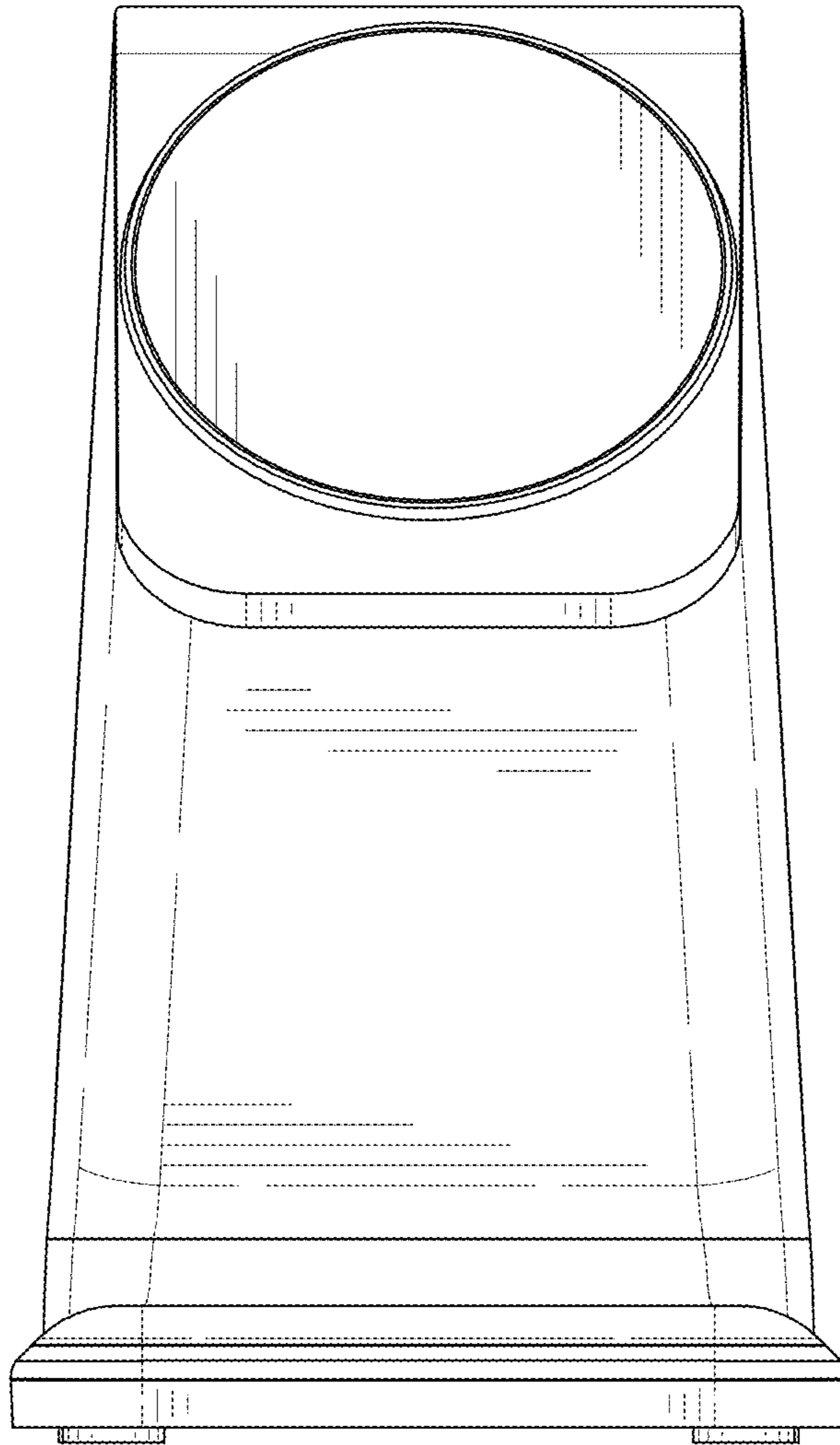


FIG. 3

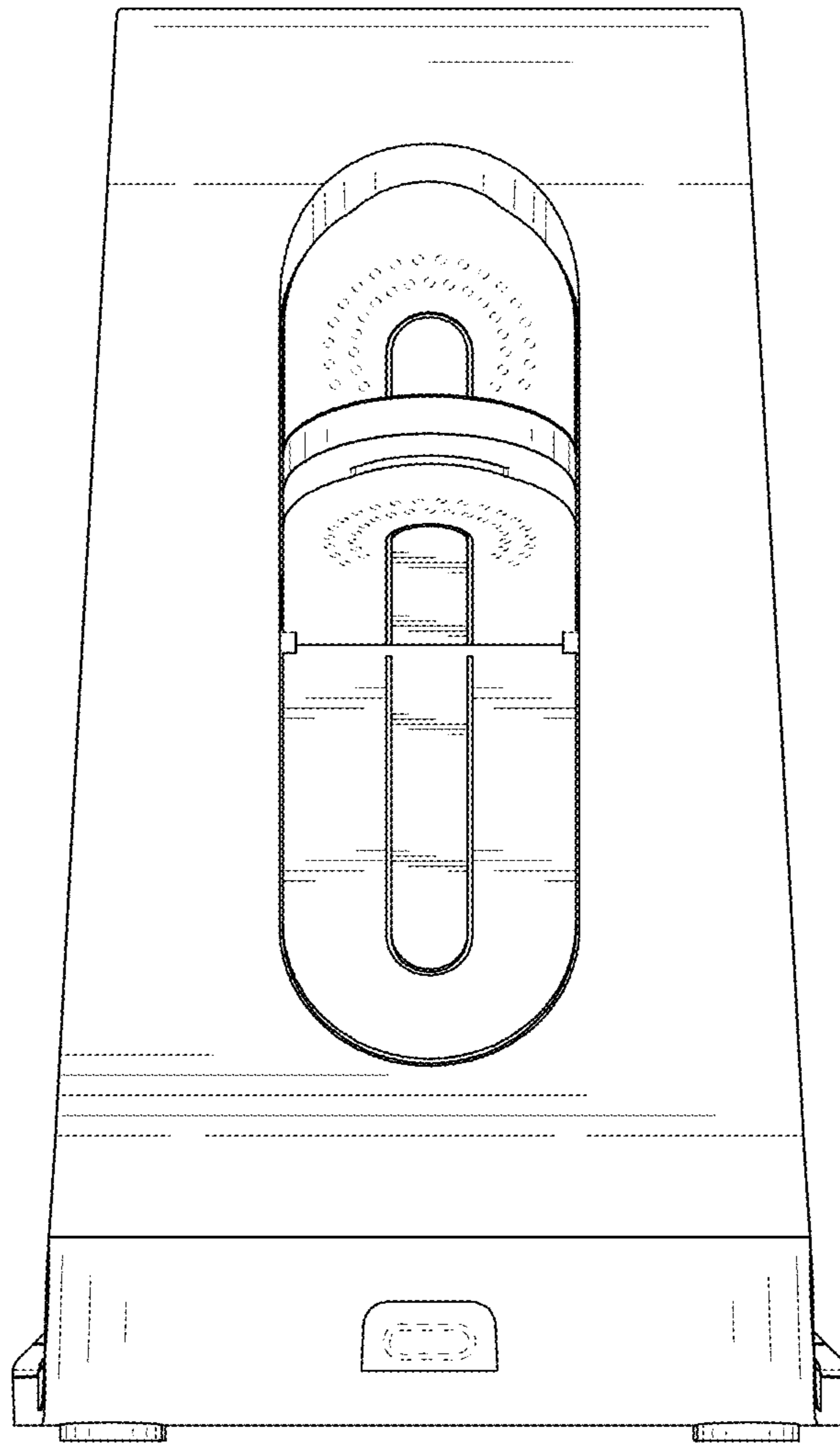


FIG. 4

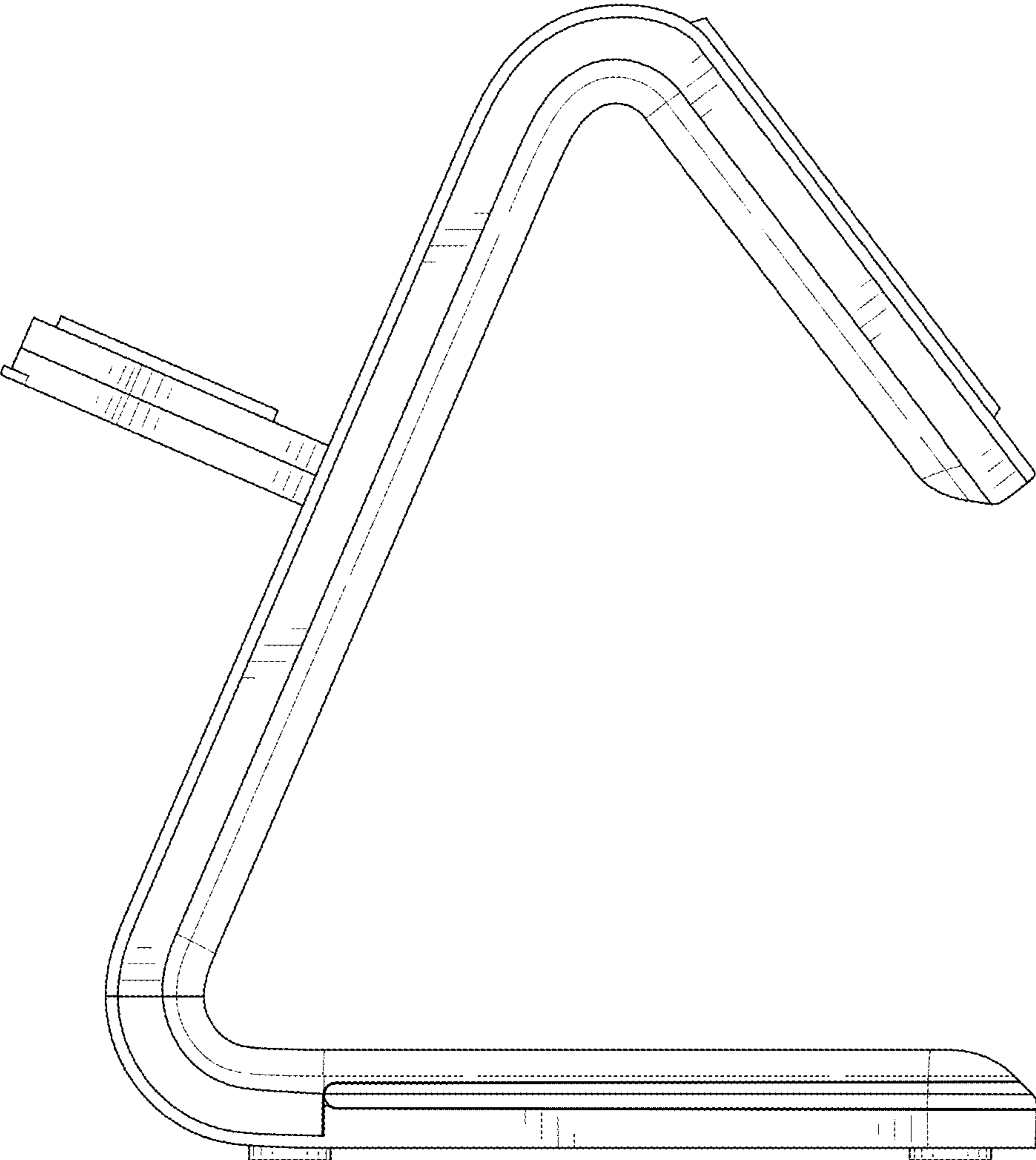


FIG. 5

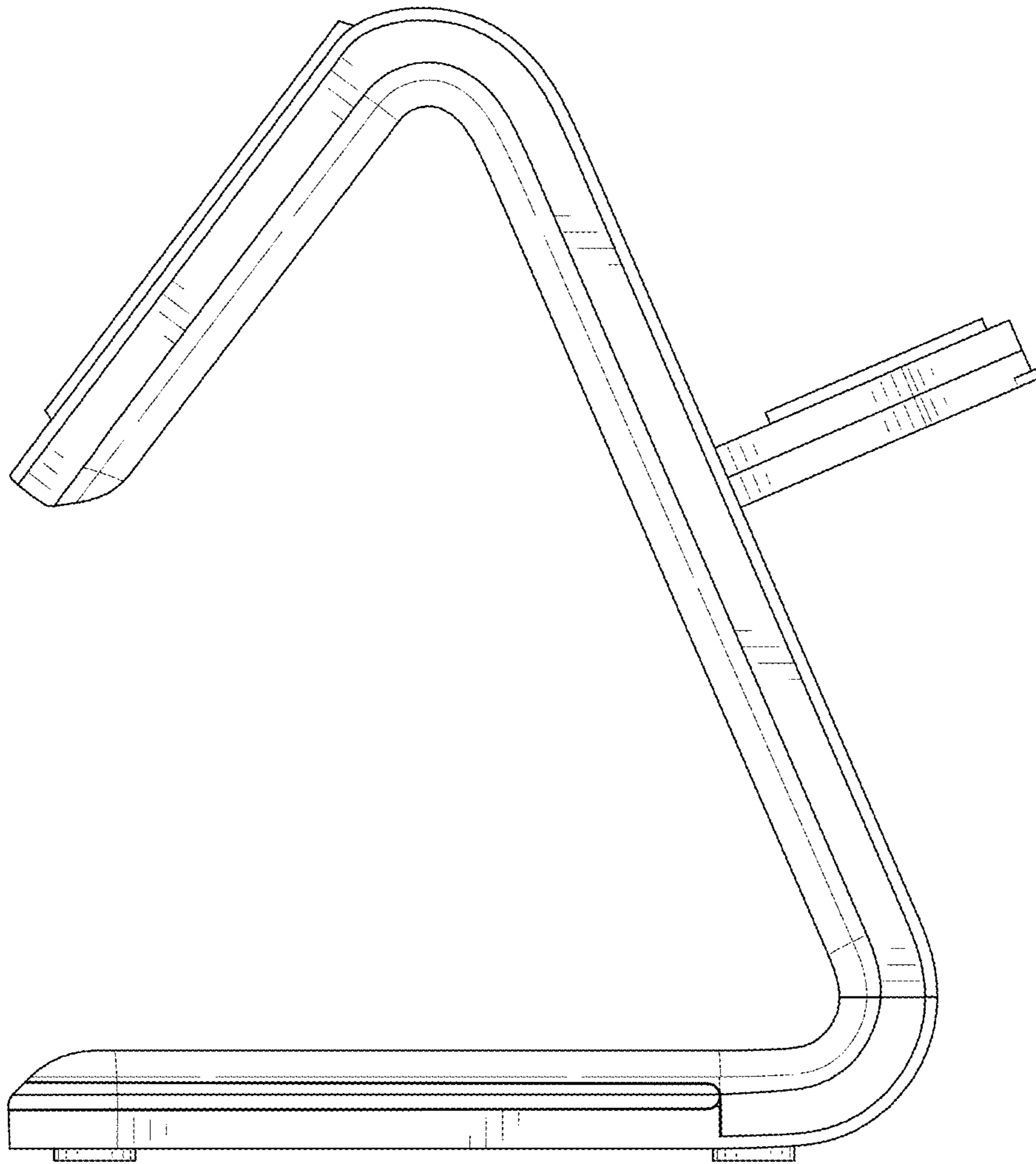


FIG. 6

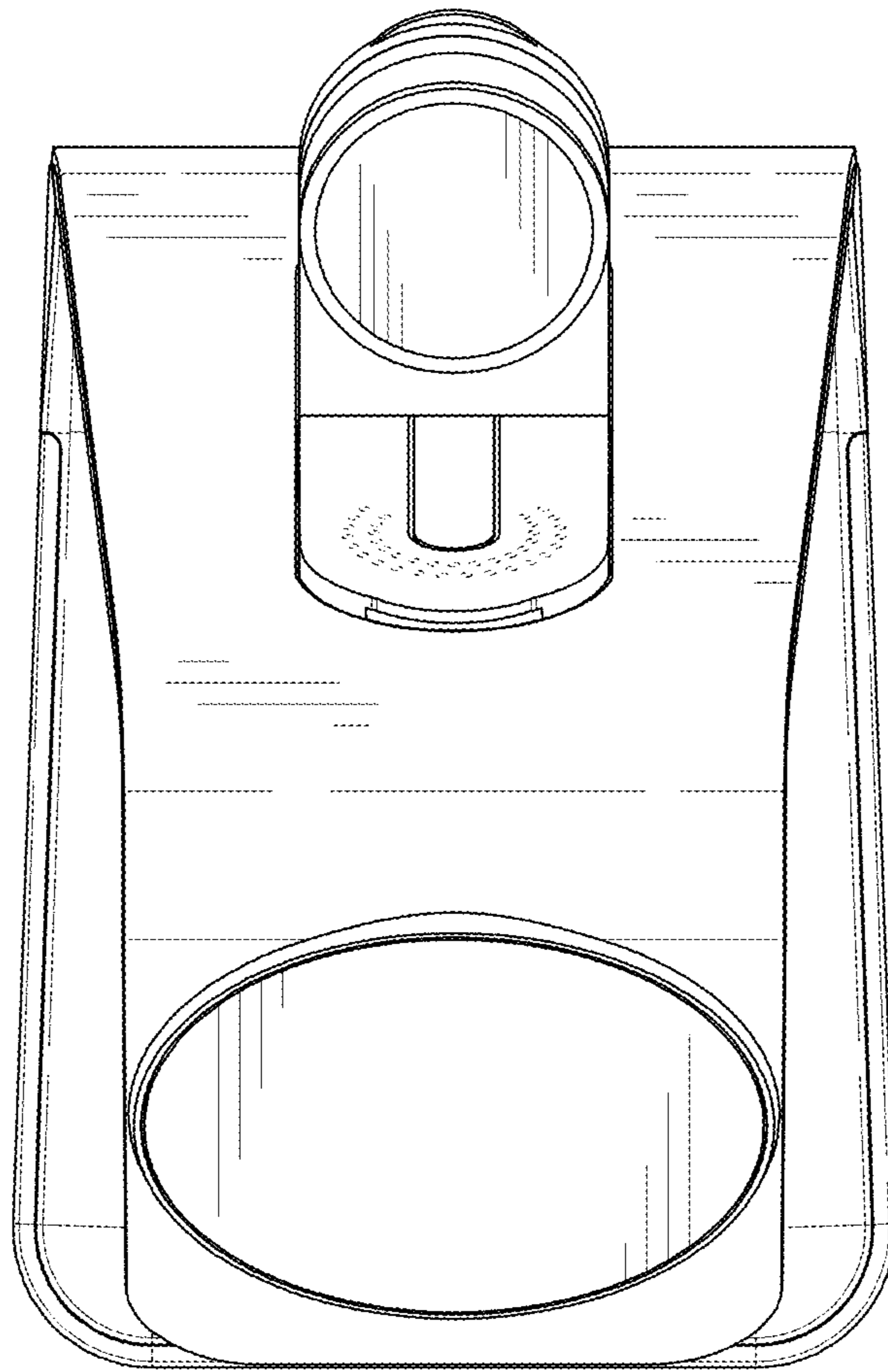


FIG. 7

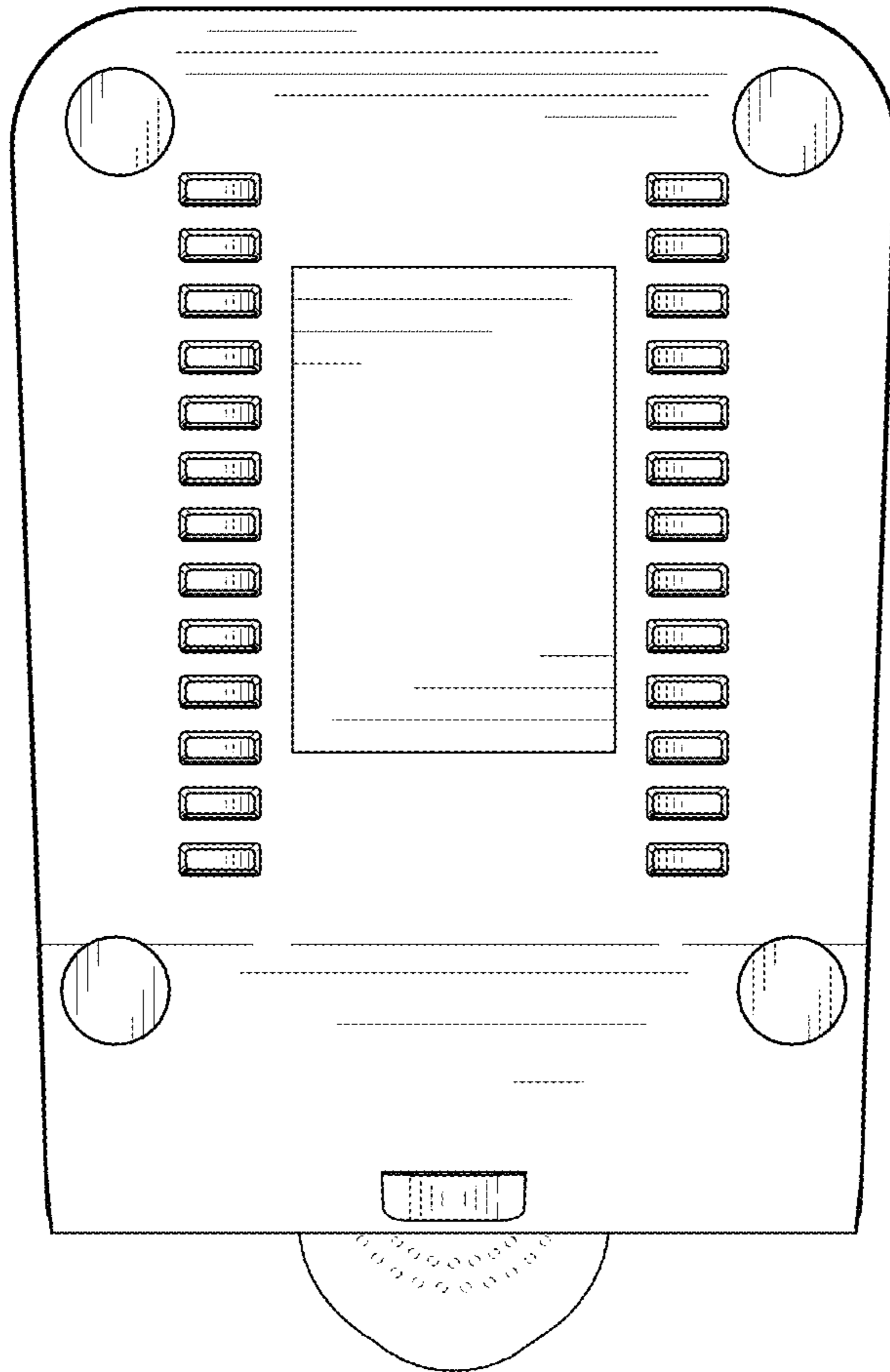


FIG. 8