



US00D968320S

(12) **United States Design Patent**
Jiang

(10) **Patent No.:** **US D968,320 S**

(45) **Date of Patent:** **** Nov. 1, 2022**

(54) **COMBINATION SUPERCHARGING STATION WITH ALARM CLOCK**

(71) Applicant: **Shenzhen Chifrog Technology Co., Ltd.**, Shenzhen (CN)

(72) Inventor: **Yunzheng Jiang**, Shenzhen (CN)

(73) Assignee: **SHENZHEN CHIFROG TECHNOLOGY CO., LTD.**, Shenzhen (CN)

(**) Term: **15 Years**

(21) Appl. No.: **29/717,004**

(22) Filed: **Dec. 13, 2019**

(30) **Foreign Application Priority Data**

Jun. 14, 2019 (CN) 201930308315.6

(51) **LOC (13) Cl.** **13-02**

(52) **U.S. Cl.**
USPC **D13/108; D10/15; D14/171**

(58) **Field of Classification Search**
USPC D13/103, 107, 108, 110, 118, 119, 184, D13/199; D10/15; D14/168, 170, 171, D14/300, 432, 433, 434
CPC H02J 50/00; H02J 15/00; H02J 7/0044; H05K 5/00
See application file for complete search history.

(56) **References Cited**

U.S. PATENT DOCUMENTS

- 5,883,859 A * 3/1999 Bentley G04G 13/021 368/10
- D478,327 S * 8/2003 Rozier D14/188
- D540,300 S * 4/2007 Amid-Hozour D14/188
- D795,216 S * 8/2017 Poandl D14/172
- D842,129 S * 3/2019 Yang D10/15

- D852,161 S * 6/2019 Hannibal, III D14/172
- D870,693 S * 12/2019 Yan D14/171
- D887,286 S * 6/2020 Barr D10/15
- D897,955 S * 10/2020 Kim D13/108
- D911,308 S * 2/2021 Huang D14/214
- D917,388 S * 4/2021 Bonilla D13/108
- 2017/0289668 A1 * 10/2017 Kim H04R 1/1041
- 2021/0143653 A1 * 5/2021 Li H02J 7/0042

OTHER PUBLICATIONS

“Super Charging Station with Alarm Clock”. Found online Jun. 30, 2021 at fccid.io. Reference dated Jun. 2019. Retrieved from <https://fccid.io/2AUOJ-CF-W15/User-Manual/User-manual-4456118.pdf>. (Year: 2019).*

(Continued)

Primary Examiner — Kendra Leslie Hamilton
Assistant Examiner — Amanda Christensen
(74) *Attorney, Agent, or Firm* — Calfee Halter & Griswold LLP

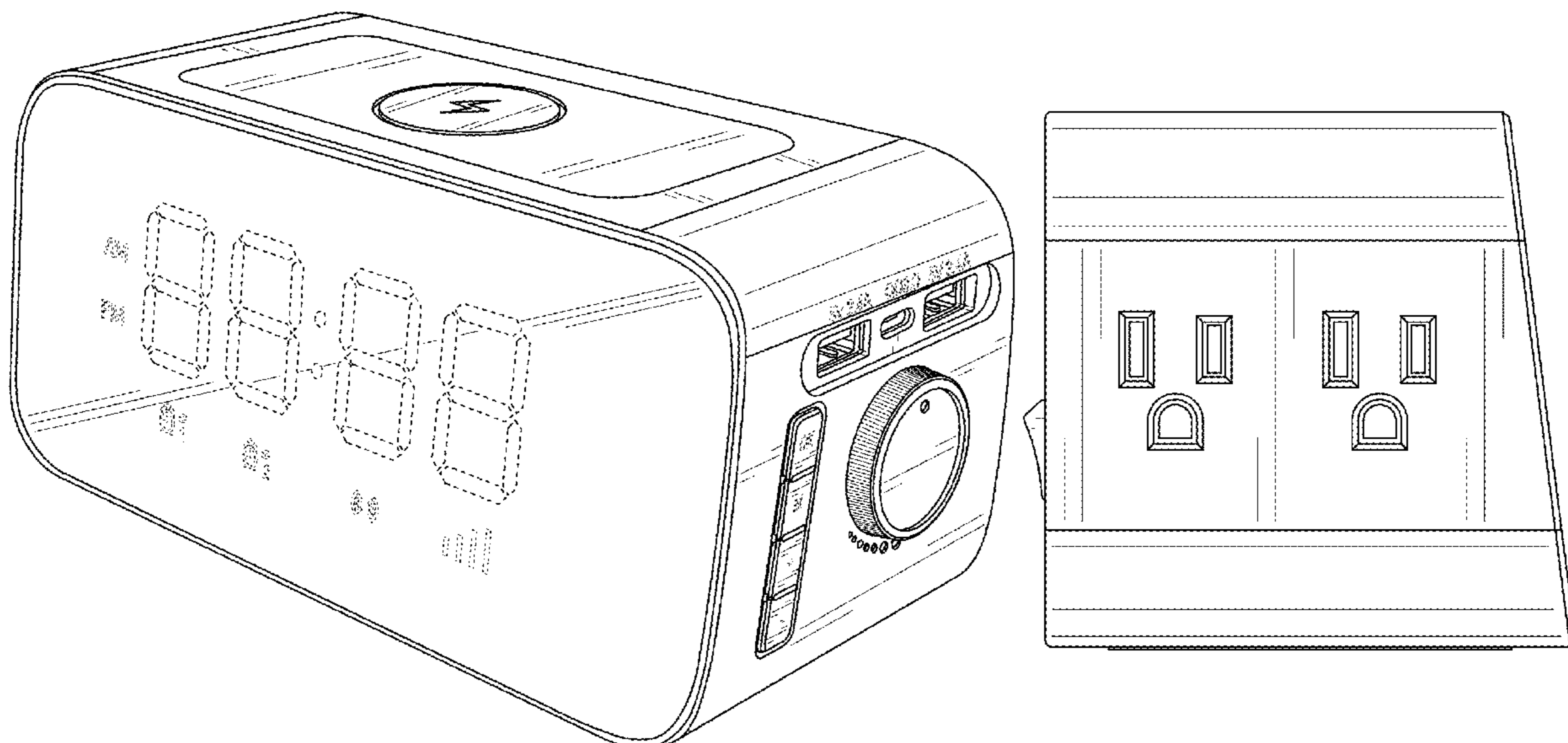
(57) **CLAIM**

The ornamental design for a combination supercharging station with alarm clock, as shown and described.

DESCRIPTION

FIG. 1 is a line drawing of a top, front, left-side perspective view of a combination supercharging station with alarm clock of the present design; FIG. 2 is a front elevational view thereof; FIG. 3 is a rear elevational view thereof; FIG. 4 is a right side elevational view thereof; FIG. 5 is a left side elevational view thereof; FIG. 6 is a top plan view thereof; and, FIG. 7 is a bottom plan view thereof. The broken lines depict portions of the combination supercharging station with alarm clock that form no part of the claimed design.

1 Claim, 7 Drawing Sheets



(56)

References Cited

OTHER PUBLICATIONS

“Homtime Multi-Function Alarm Clock”. Found online Jun. 30, 2021 at amazon.com. Reference dated May 6, 2016. Retrieved from https://www.amazon.com/dp/B01H1N4PBI/ref=sspa_dk_detail_1. (Year: 2016).*

“Emerson Alarm Clock Radio and Wireless Charger”. Found online Jun. 30, 2021 at amazon.com. Reference dated May 24, 2019. Retrieved from https://www.amazon.com/Emerson-Radio-Bluetooth-Compatible-ER100202/dp/B07SDR1HH9/ref=asc_df_B07SDR1HH9/?th=1. (Year: 2019).*

* cited by examiner

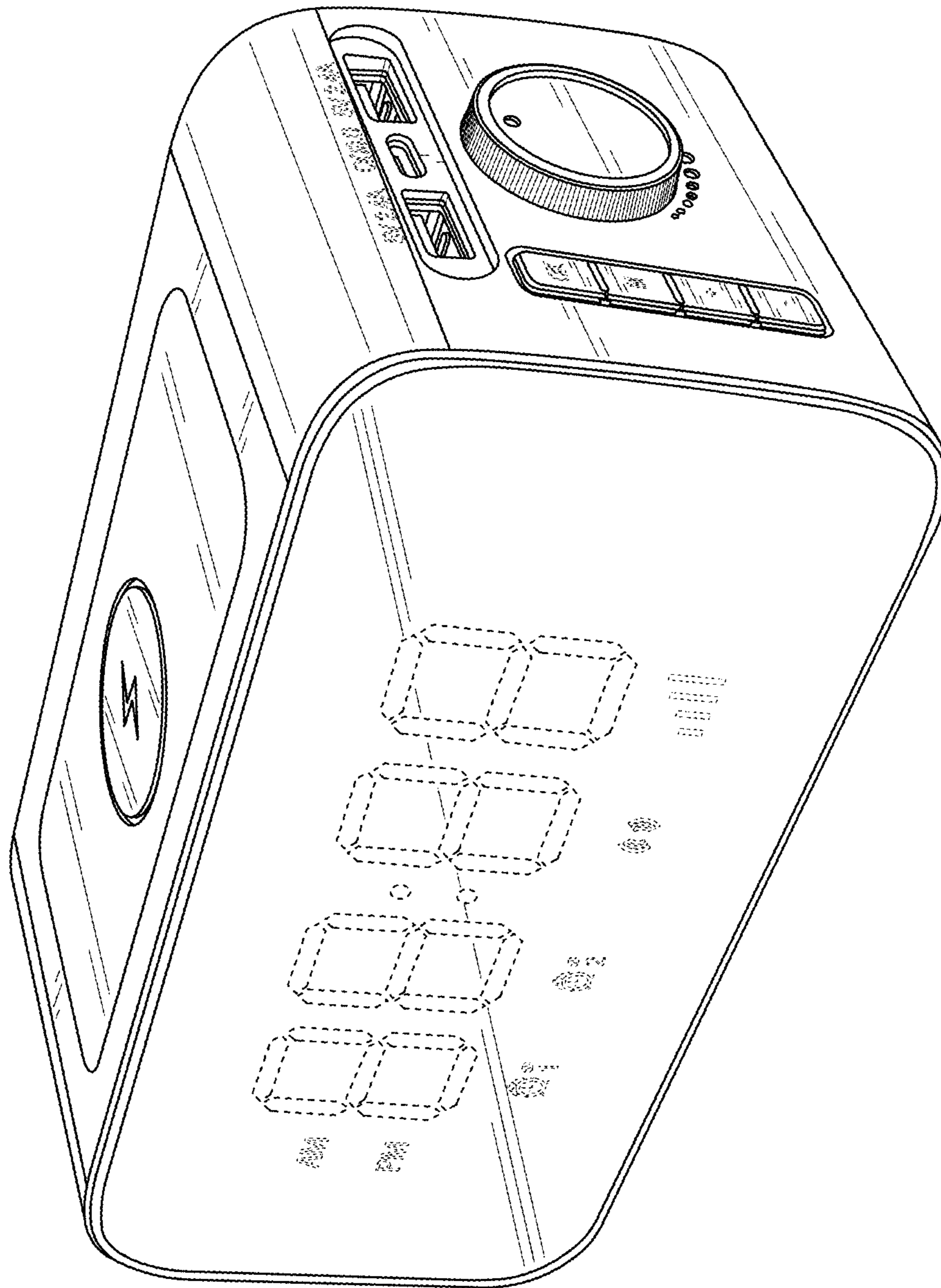


FIG. 1

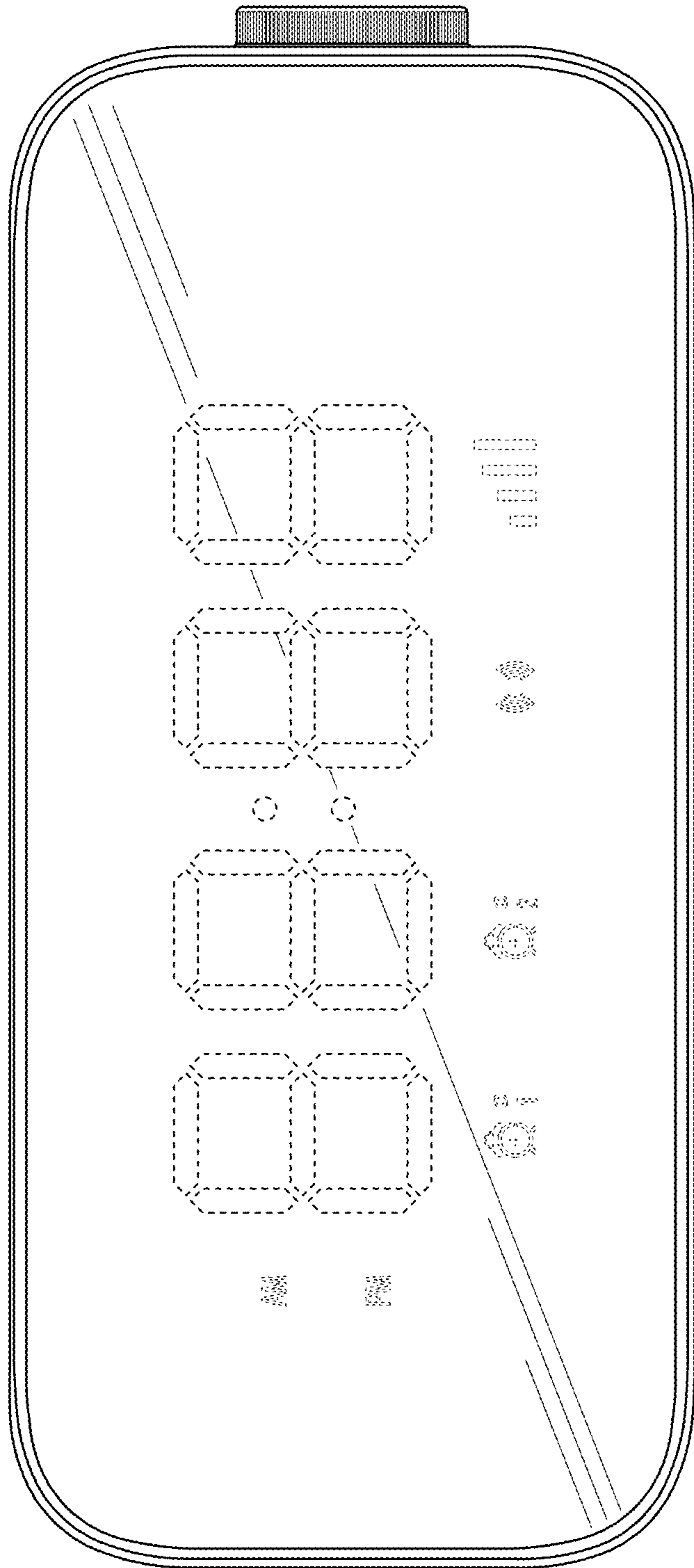


FIG. 2

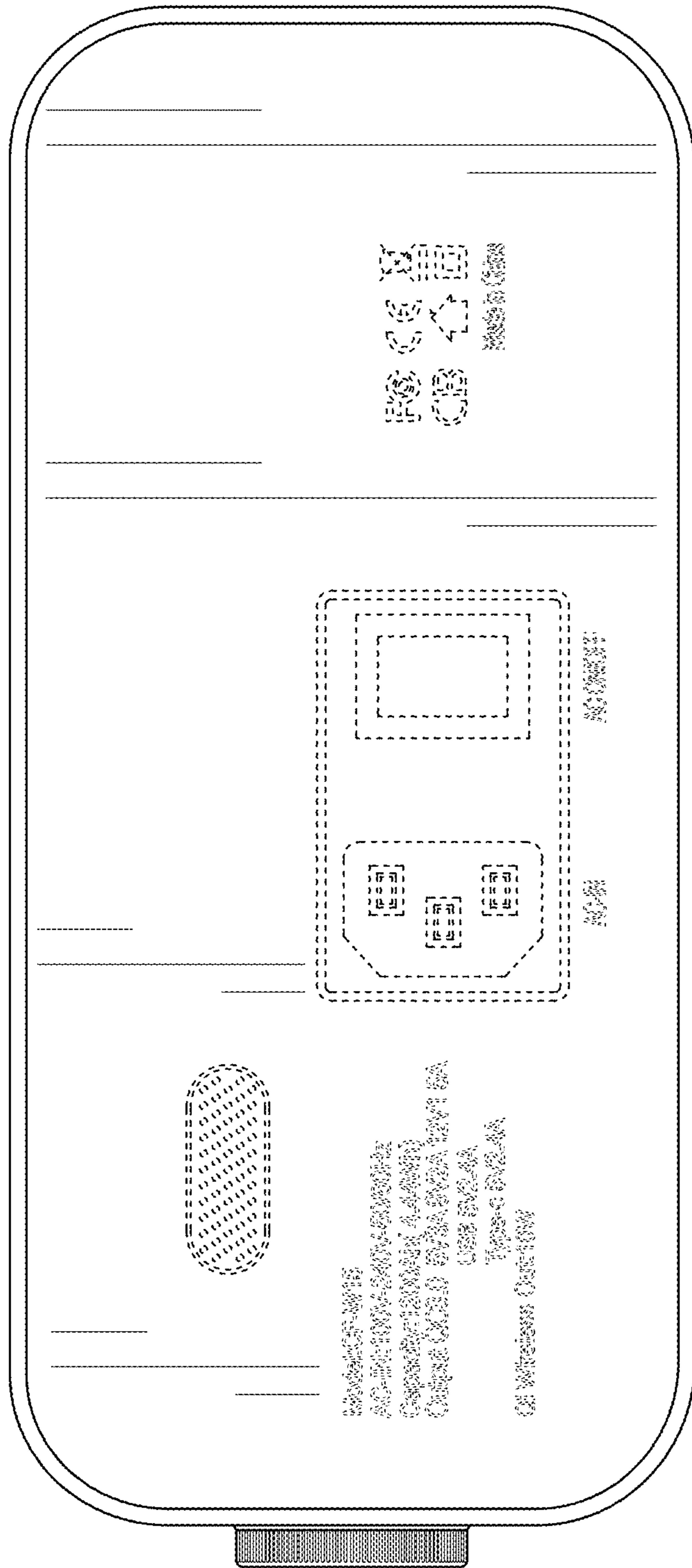


FIG. 3

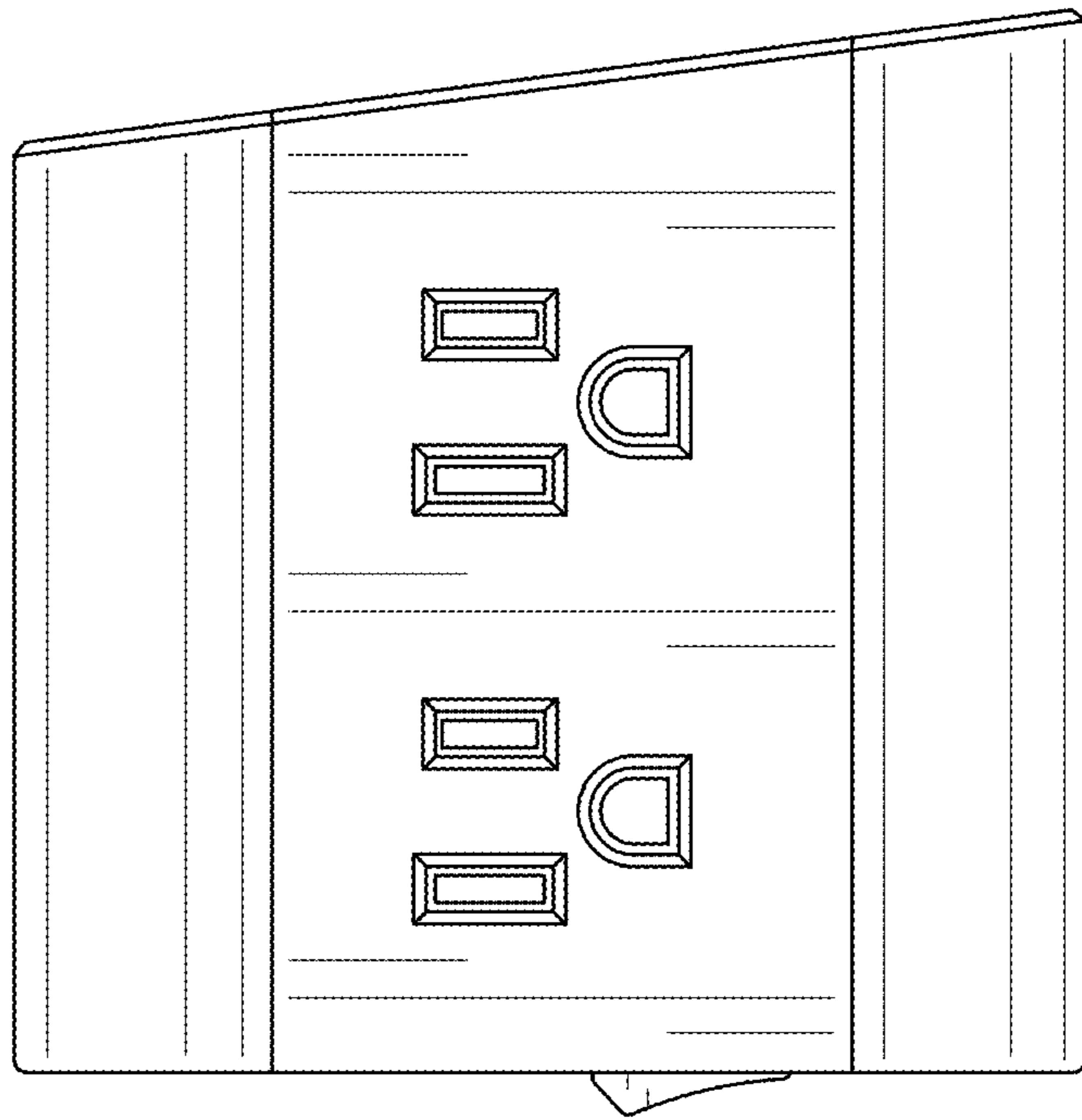


FIG. 4

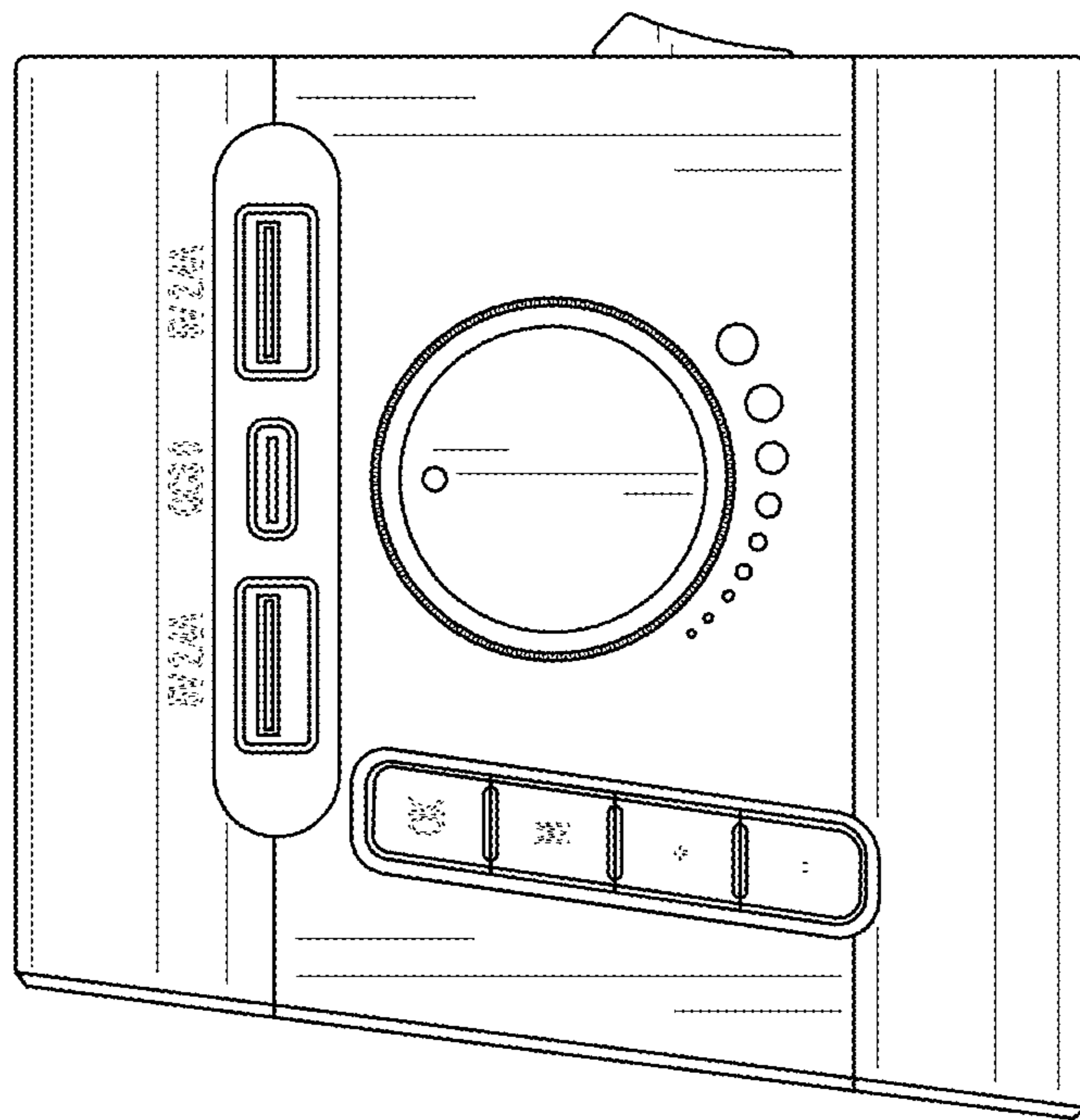


FIG. 5

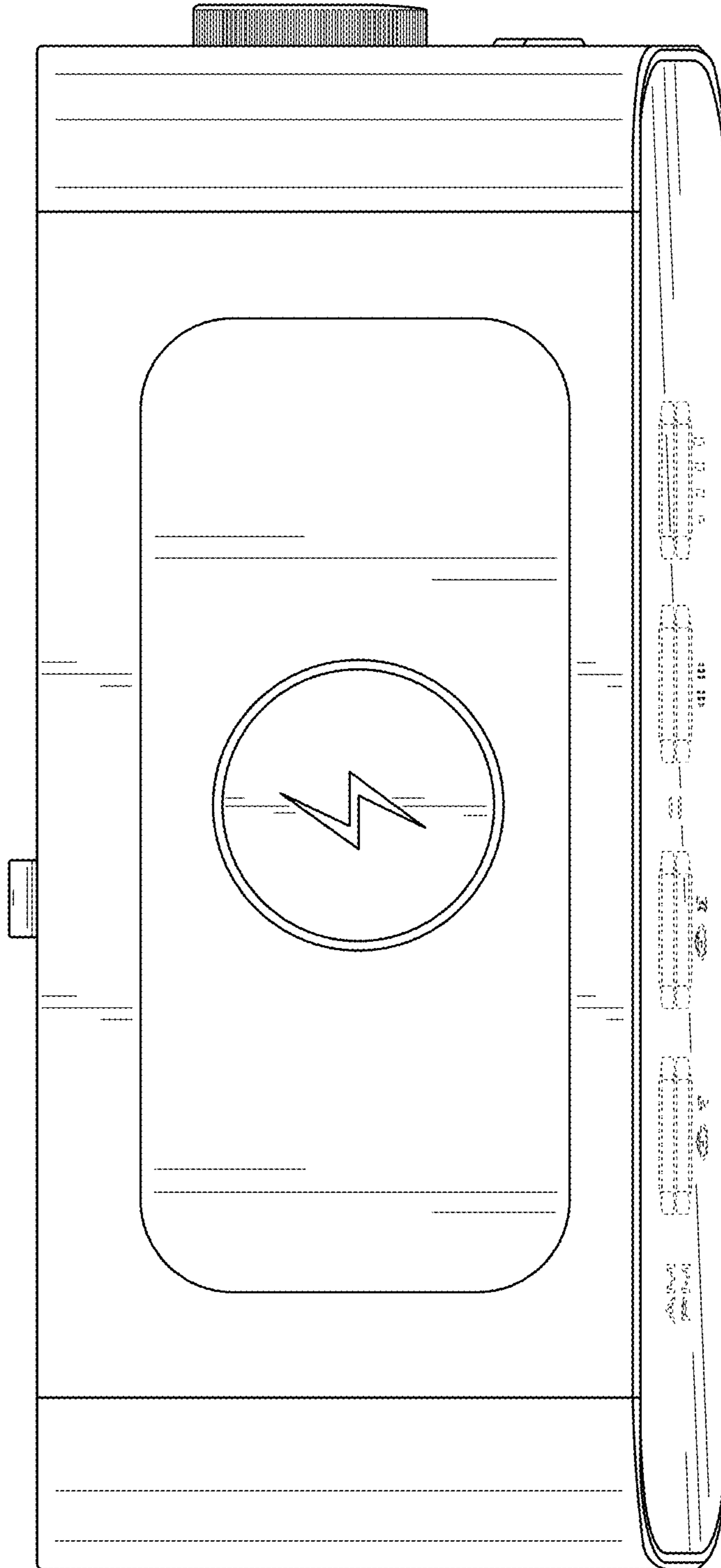


FIG. 6

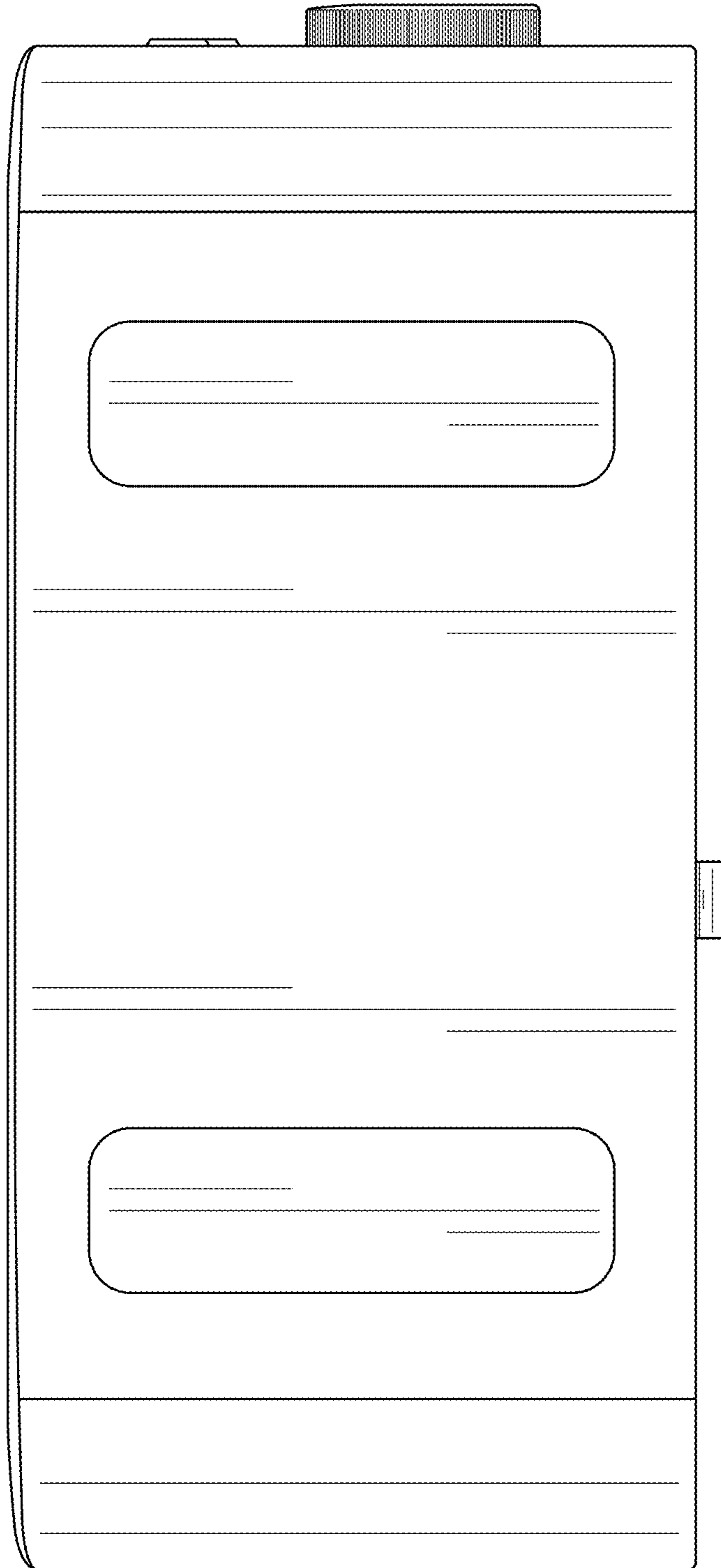


FIG. 7