



US00D968318S

(12) **United States Design Patent** (10) **Patent No.:** **US D968,318 S**  
**Donati et al.** (45) **Date of Patent:** **\*\* Nov. 1, 2022**

(54) **BATTERY PACK CAP**  
 (71) Applicant: **Ariens Company**, Brillion, WI (US)  
 (72) Inventors: **Andrew L. Donati**, Appleton, WI (US);  
**Jason Dong**, Woodridge, IL (US);  
**Brian Vickery**, Woodridge, IL (US);  
**William Tenorio**, Woodridge, IL (US)

D609,641 S 2/2010 Huang et al.  
 D617,733 S 6/2010 Yang  
 D618,172 S 6/2010 Yang  
 D674,816 S 1/2013 Higashikawa et al.  
 D681,685 S 5/2013 Higashikawa  
 D707,260 S 6/2014 Hippoliti  
 D707,721 S 6/2014 Hippoliti  
 D762,165 S \* 7/2016 Rowe ..... D13/103  
 (Continued)

(73) Assignee: **Ariens Company**, Brillion, WI (US)

**FOREIGN PATENT DOCUMENTS**

(\*\*) Term: **15 Years**

WO 2019/129045 A1 7/2019  
 WO 2019/129129 A1 7/2019  
 WO 2020/019687 A1 1/2020

(21) Appl. No.: **29/751,235**

*Primary Examiner* — Nathaniel D. Buckner  
 (74) *Attorney, Agent, or Firm* — Michael Best & Friedrich LLP

(22) Filed: **Sep. 18, 2020**

(51) **LOC (13) Cl.** ..... **13-02**

(52) **U.S. Cl.**  
 USPC ..... **D13/103**

(57) **CLAIM**

(58) **Field of Classification Search**  
 USPC ..... D13/102–106, 110, 118–119, 184  
 CPC . Y02E 60/10; H01M 2220/30; H01M 50/209;  
 H01M 50/213; H01M 50/183; H01M  
 50/10; H01M 50/529; H01M 50/531;  
 H01M 10/0525; H01M 10/0436; H01M  
 10/052; H01M 10/0565; H01M 10/30;  
 H01M 10/345; H01M 10/425; H01M  
 2010/0495; B25F 5/02; B25F 5/00; A61B  
 2017/00734

We claim the ornamental design for a battery pack cap, as shown and described.

See application file for complete search history.

**DESCRIPTION**

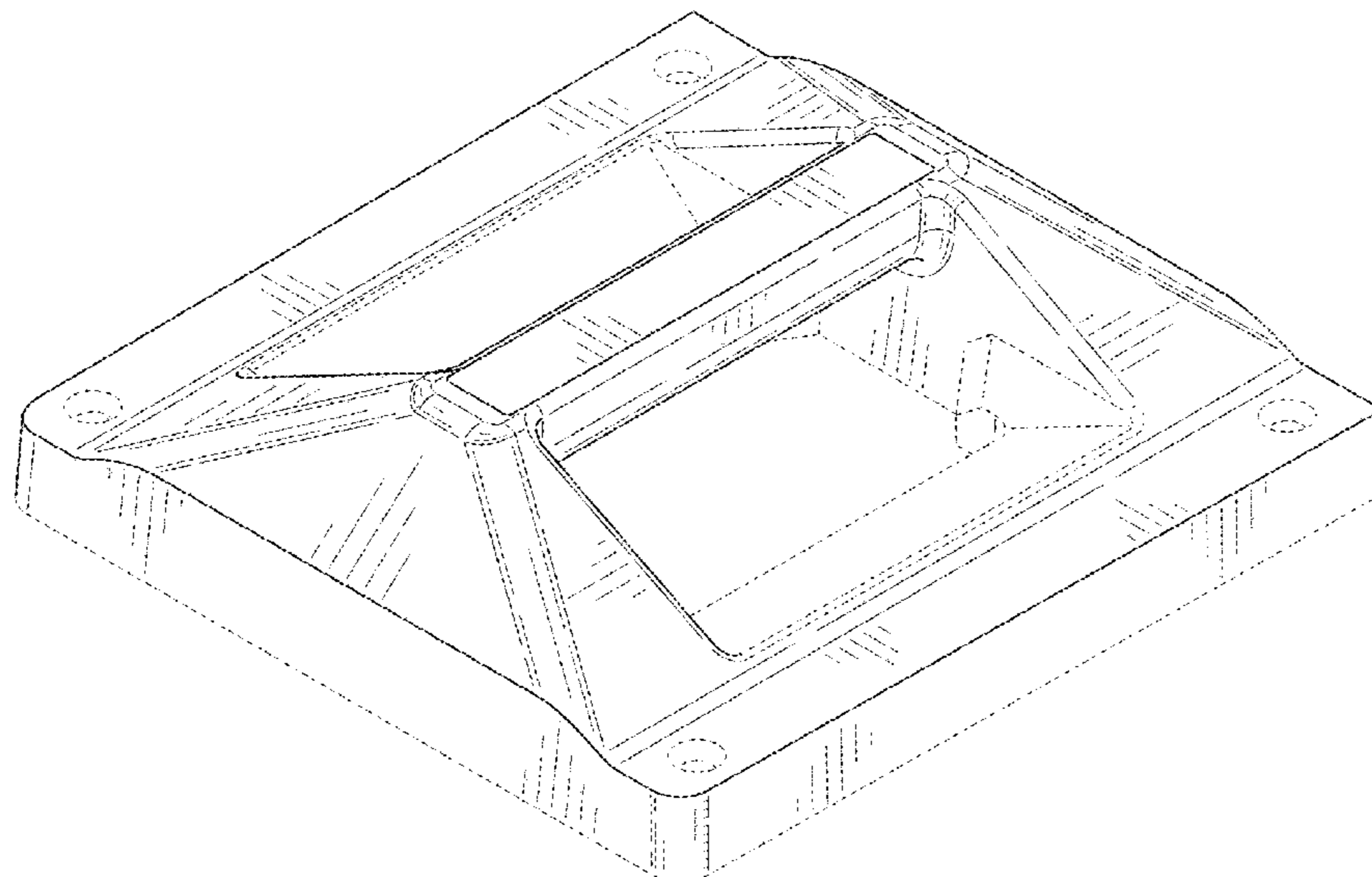
(56) **References Cited**

**U.S. PATENT DOCUMENTS**

D311,742 S 10/1990 Splittstoesser  
 D359,740 S 6/1995 Crosby et al.  
 D412,702 S 8/1999 Goto  
 D428,023 S 7/2000 Surrige et al.  
 D450,330 S 11/2001 Katoh et al.  
 D495,718 S 9/2004 Higashikawa  
 D536,709 S 2/2007 Kullhem et al.  
 D560,690 S 1/2008 Higashikawa  
 D582,416 S \* 12/2008 Duarte ..... D14/496

FIG. 1 is a top, front, right perspective view of a battery pack cap showing our new design;  
 FIG. 2 is a front view thereof;  
 FIG. 3 is a rear view thereof;  
 FIG. 4 is a left side view thereof;  
 FIG. 5 is a right side view thereof;  
 FIG. 6 is a top view thereof;  
 FIG. 7 is a top, rear, left perspective view thereof; and,  
 FIG. 8 is an enlarged fragmentary view thereof, wherein unclaimed subject matter is omitted to enhance clarity.  
 The broken lines immediately adjacent to the shaded area depict boundaries of the claimed design and form no part thereof. The broken lines depict environmental structure and form no part of the claimed design. Portions of the battery pack cap not shown in the drawing form no part of the claimed design.

**1 Claim, 8 Drawing Sheets**



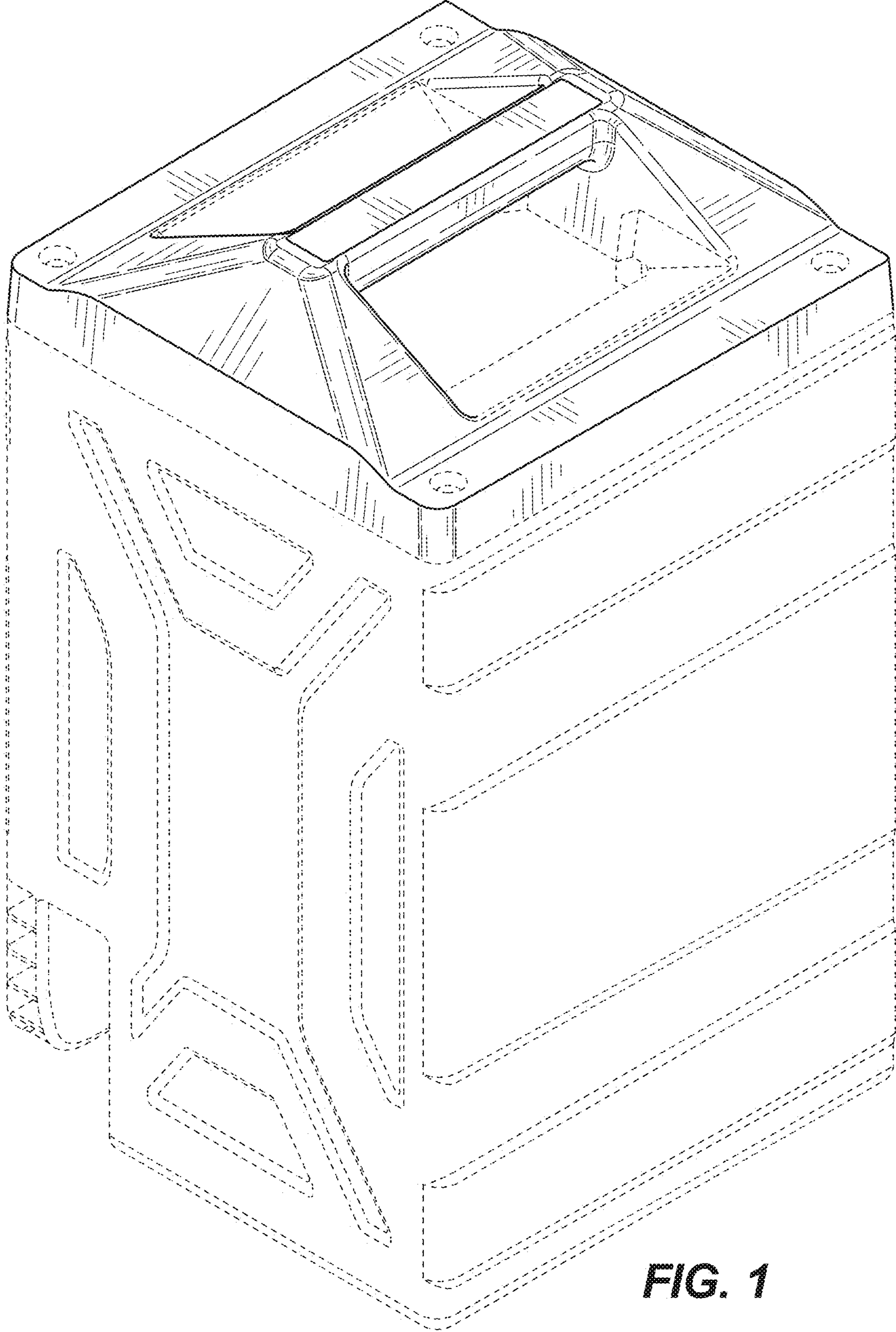
(56)

**References Cited**

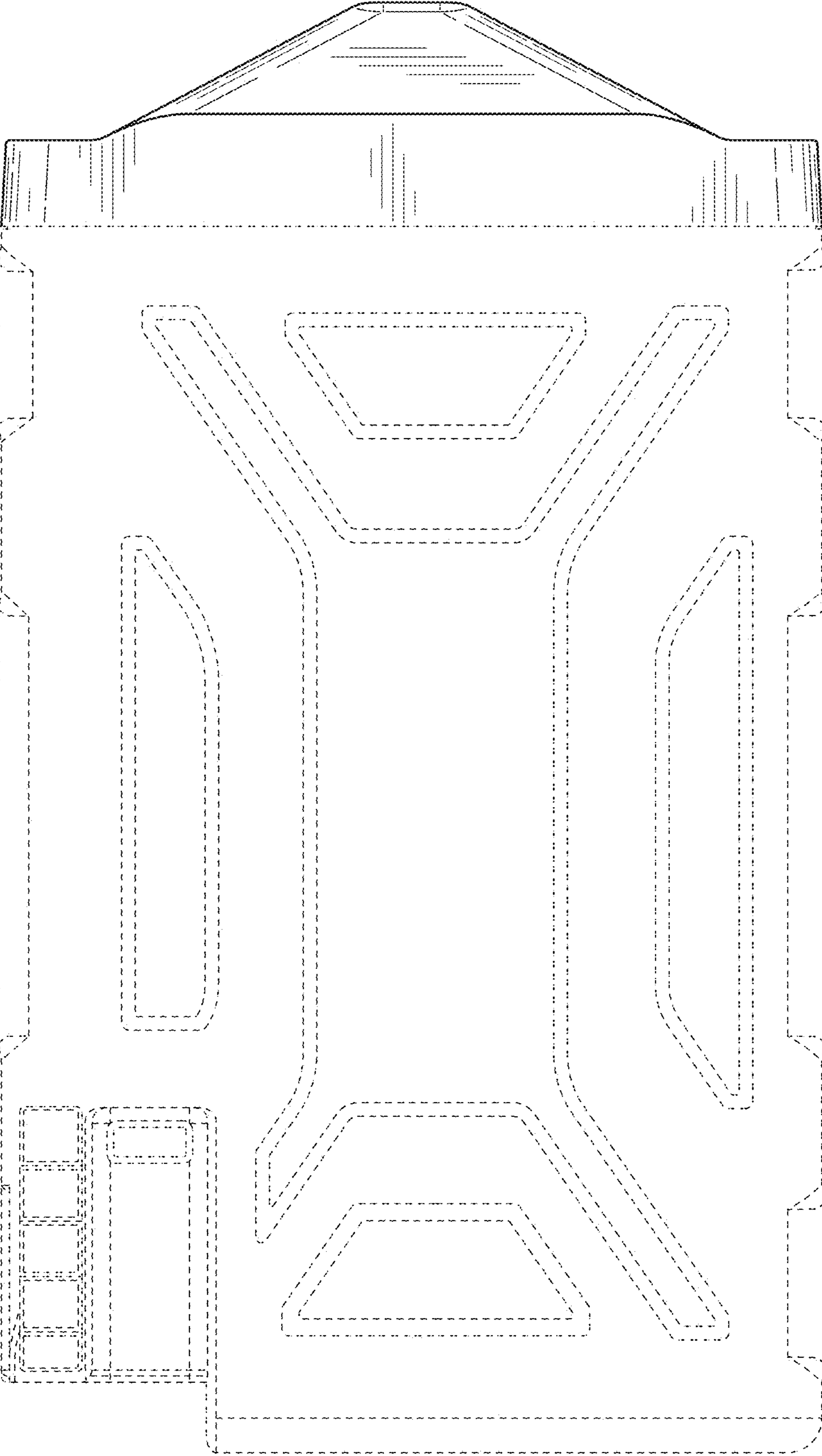
U.S. PATENT DOCUMENTS

D789,423	S	6/2017	Shi	
D815,039	S *	4/2018	Wen .....	D13/110
D820,197	S *	6/2018	Luke .....	D13/103
D846,494	S *	4/2019	Takahashi .....	D13/103
D866,609	S	11/2019	Long	
D866,610	S	11/2019	Long	
D866,611	S	11/2019	Long	
D882,510	S *	4/2020	Theis .....	D13/103
D887,357	S *	6/2020	Liao .....	D13/110
D900,022	S *	10/2020	Bell .....	D13/103
D904,976	S *	12/2020	Stoermer .....	D13/103
D911,957	S *	3/2021	Sun .....	D13/103
D932,433	S *	10/2021	Tang .....	D13/110
D937,211	S	11/2021	Zugen et al.	
11,217,852	B2 *	1/2022	Matsumoto .....	B60K 1/04
D942,928	S *	2/2022	Yi .....	D13/103
2019/0075724	A1	3/2019	Becke et al.	
2019/0160972	A1	5/2019	Zeiler et al.	
2019/0291779	A1	9/2019	Zeiler et al.	
2020/0315095	A1	10/2020	Liu et al.	

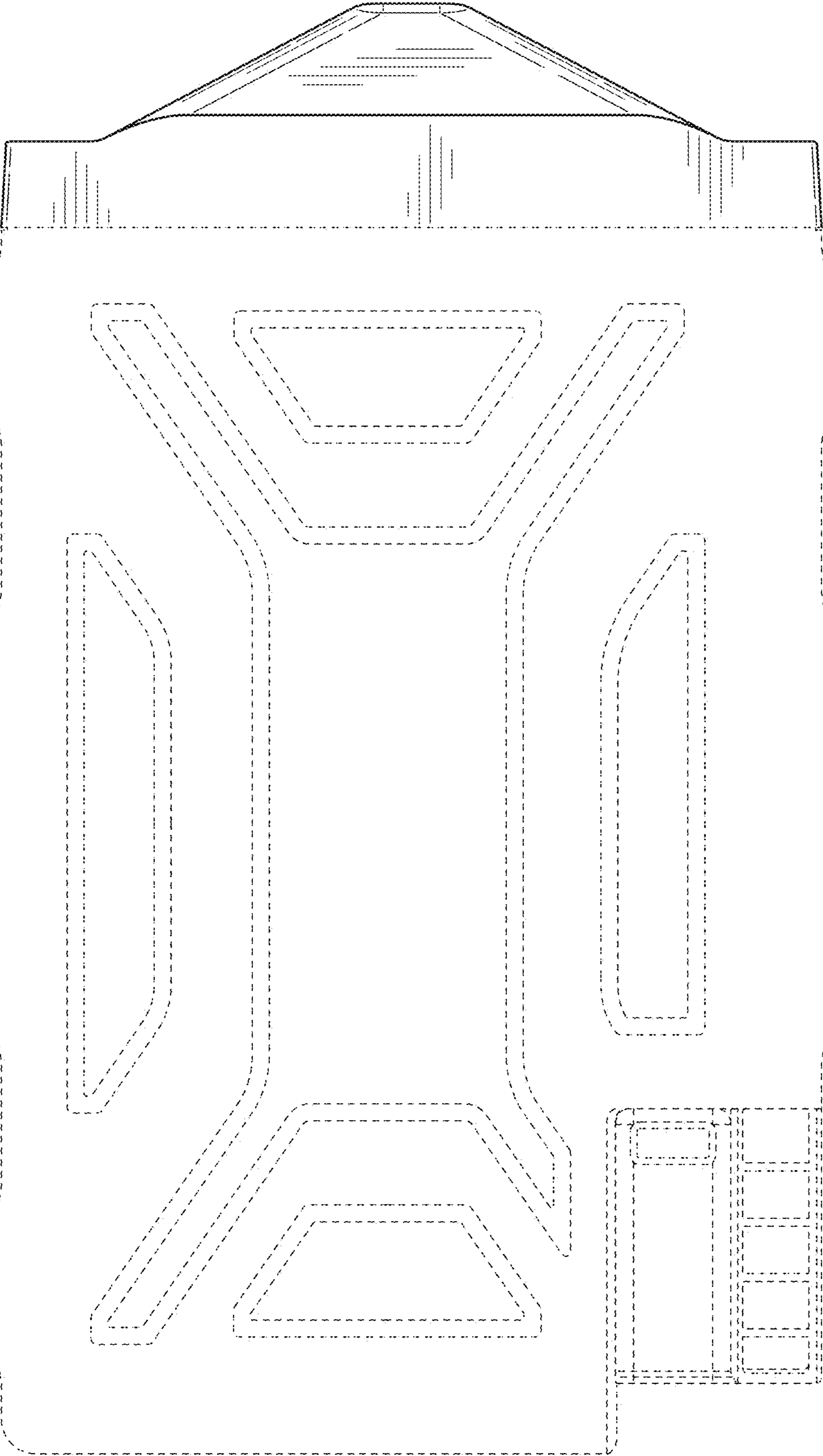
\* cited by examiner



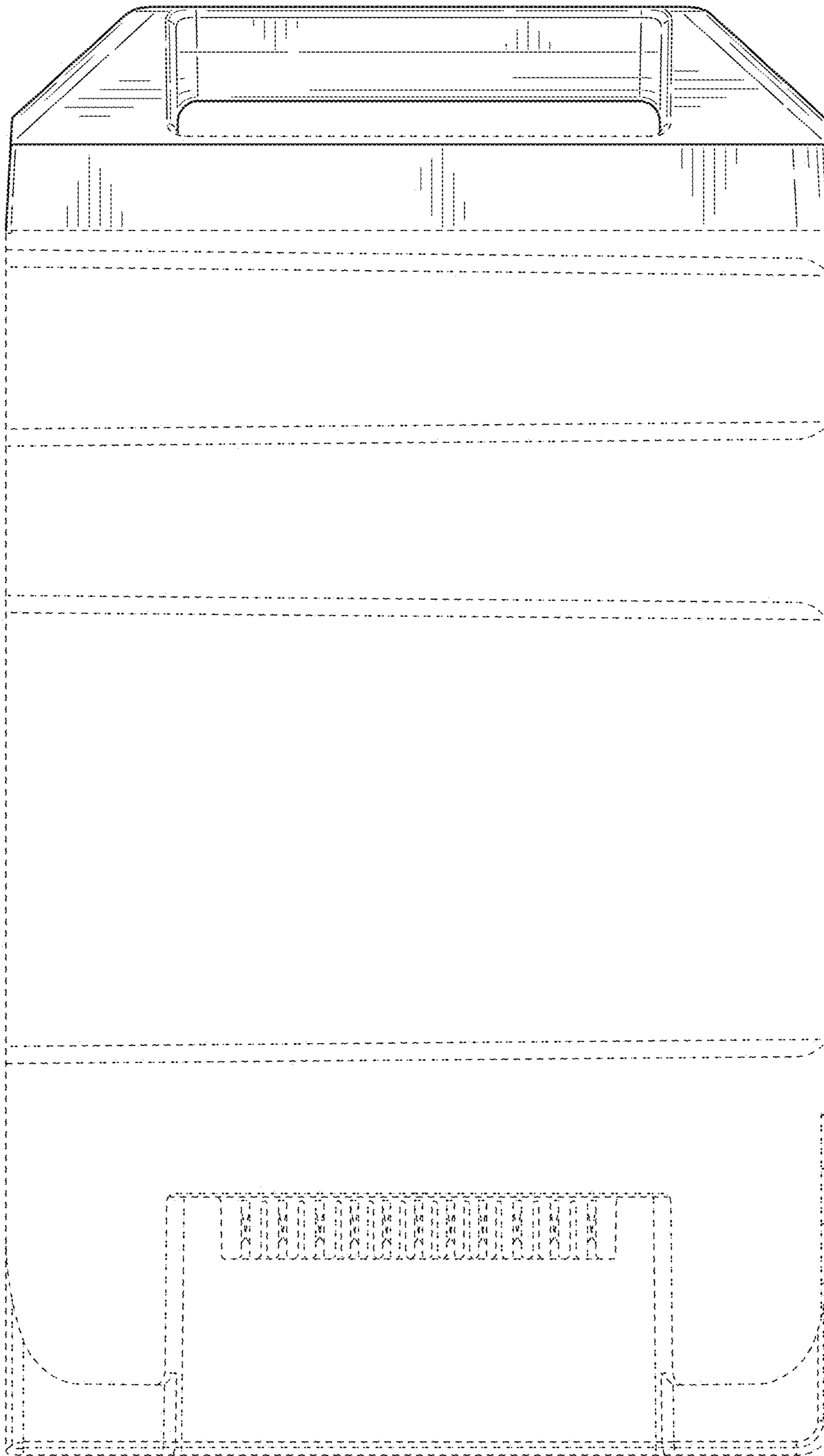
**FIG. 1**



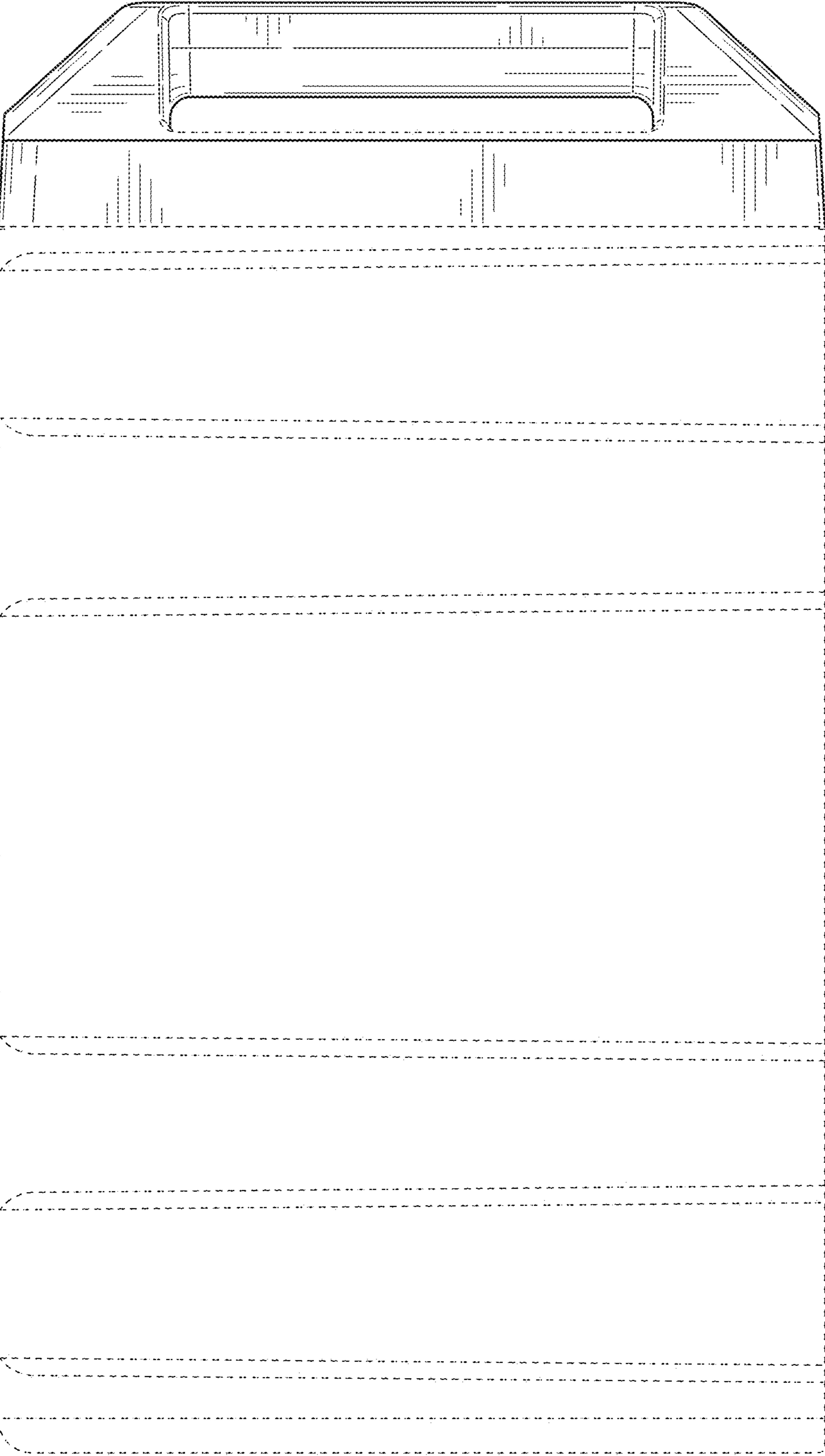
**FIG. 2**



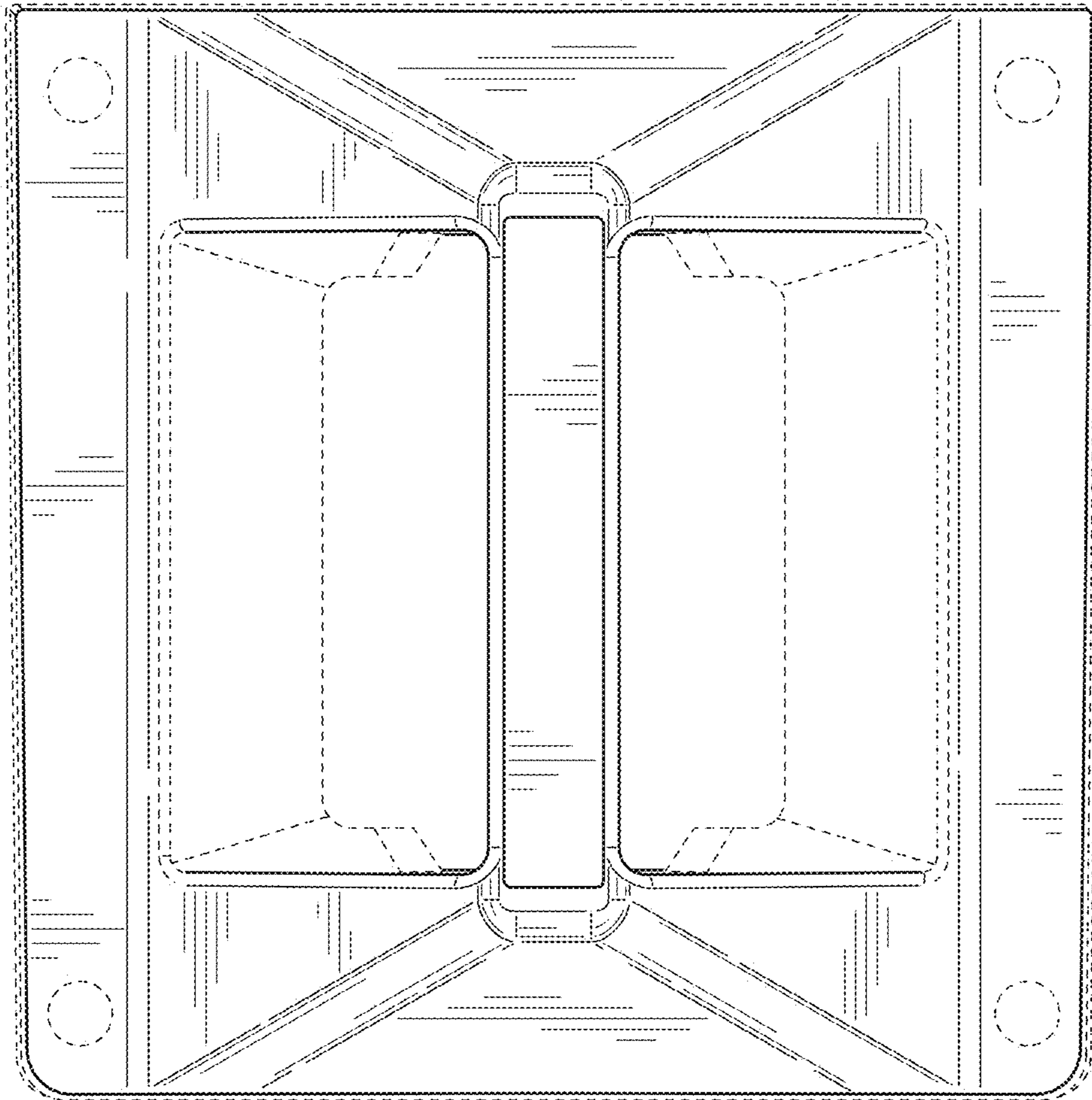
**FIG. 3**



**FIG. 4**

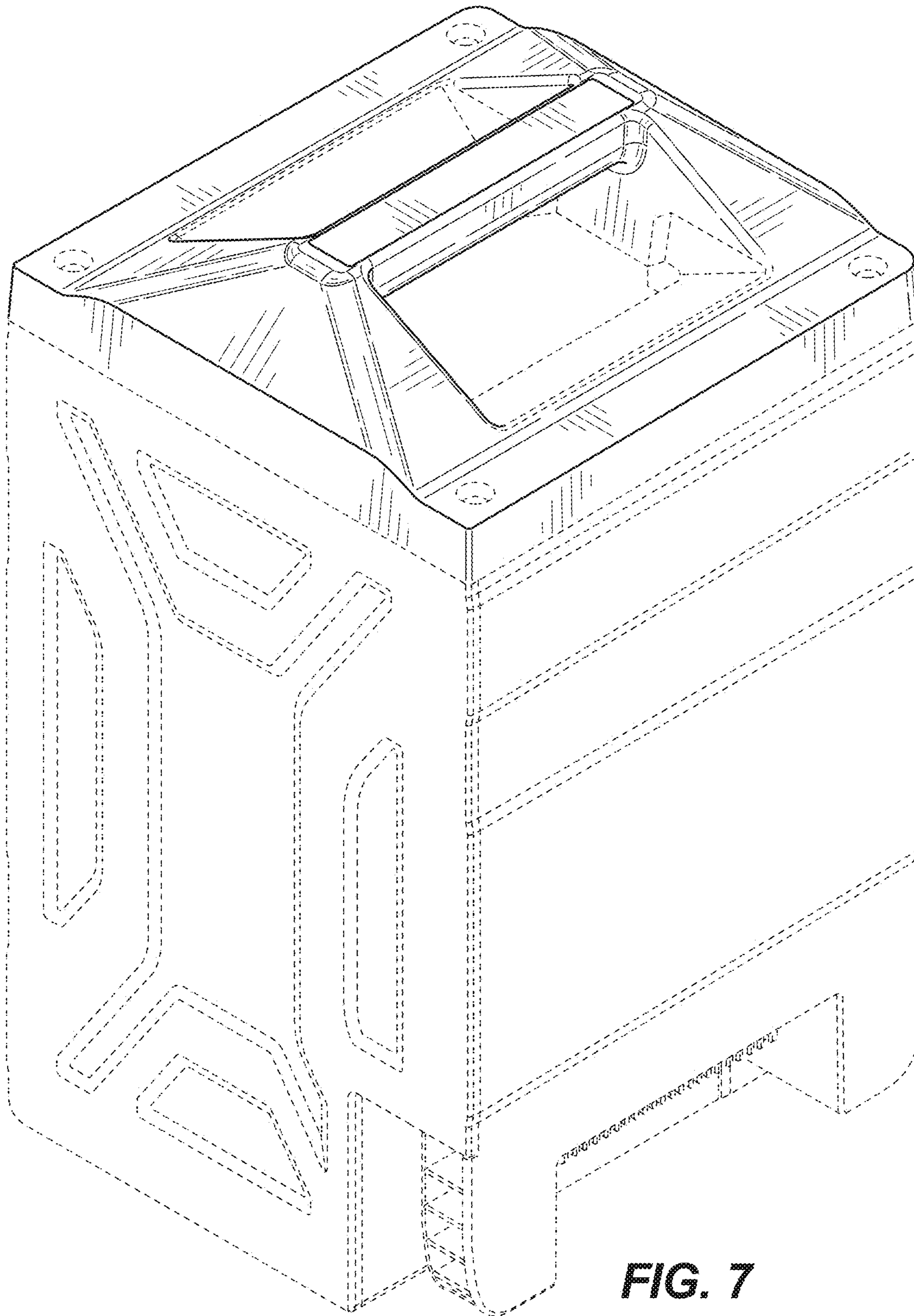


**FIG. 5**



**FIG. 6**





**FIG. 7**

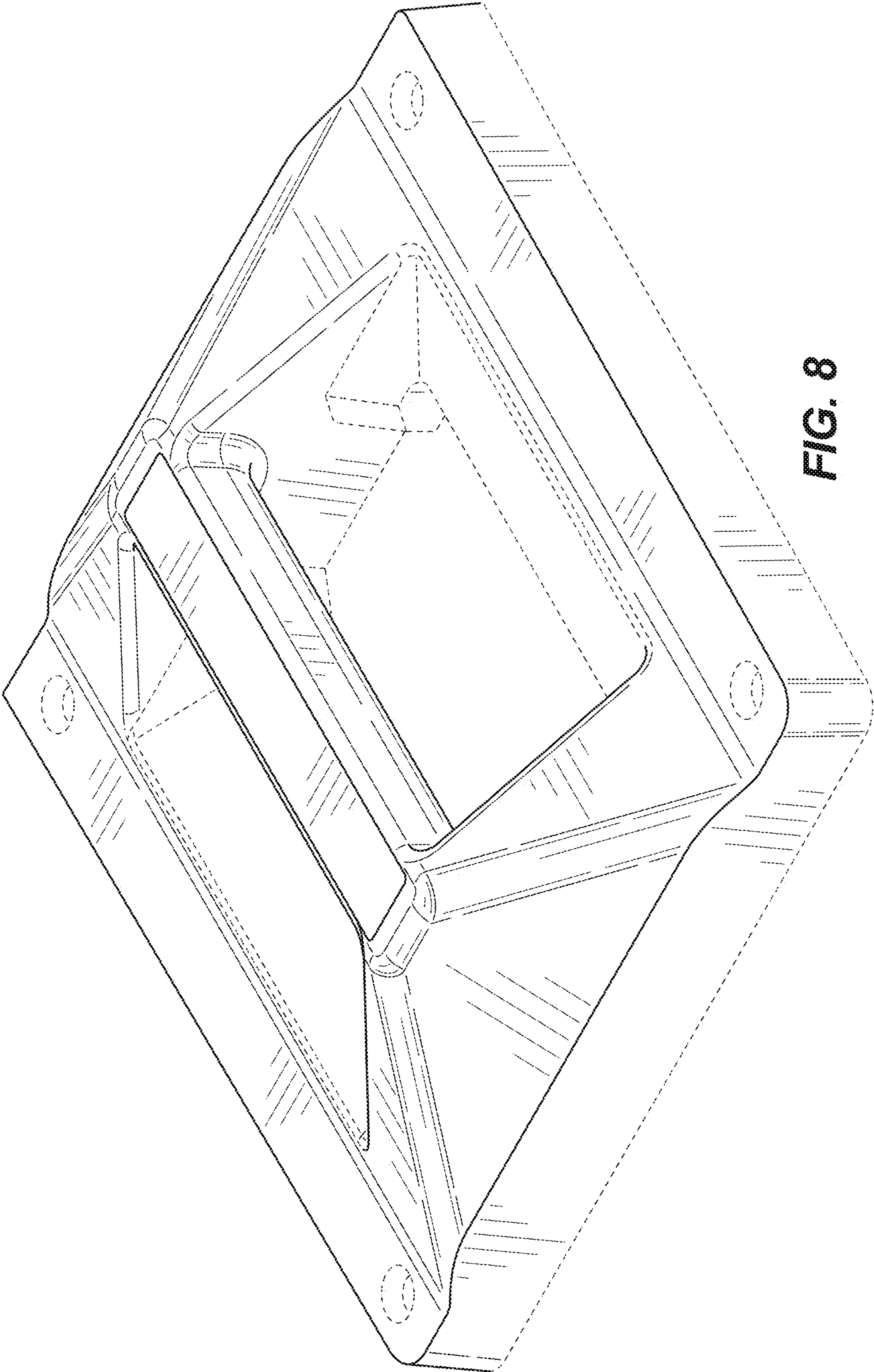


FIG. 8