



US00D968311S

(12) **United States Design Patent**
Kuang

(10) **Patent No.:** **US D968,311 S**

(45) **Date of Patent:** **** Nov. 1, 2022**

(54) **ROOF RACK CROSSBAR**

(71) Applicant: **Xingqin Kuang**, Tianrun (CN)

(72) Inventor: **Xingqin Kuang**, Tianrun (CN)

(**) Term: **15 Years**

(21) Appl. No.: **29/823,358**

(22) Filed: **Jan. 17, 2022**

(51) **LOC (13) Cl.** **12-16**

(52) **U.S. Cl.**
USPC **D12/412**

(58) **Field of Classification Search**
USPC D12/406-414; D3/35; D6/317-319,
D6/513-514; D32/58
CPC B62J 9/003; B62J 7/06; B62J 9/001
See application file for complete search history.

(56) **References Cited**

U.S. PATENT DOCUMENTS

D515,496 S	2/2006	Rakow	
D538,219 S	3/2007	Rakow	
D568,231 S	5/2008	Frischer	
D626,059 S	10/2010	Jackson	
D633,031 S	2/2011	Robertson	
D709,818 S *	7/2014	Zhang	D12/412
D792,833 S *	7/2017	Chan	D12/412
D855,551 S	8/2019	Shen	
D856,901 S	8/2019	Elliott	
10,384,587 B2 *	8/2019	Flaherty	B60P 3/1008
D873,760 S	1/2020	Connellan	
D877,686 S	3/2020	Connellan	
D878,277 S	3/2020	Connellan	
D879,012 S *	3/2020	Guo	D12/412

D895,529 S *	9/2020	Chang	D12/412
D895,530 S *	9/2020	Lathrop	D12/412
D906,225 S *	12/2020	Eriksson	D12/412
D908,072 S *	1/2021	Connellan	D12/412
D919,550 S *	5/2021	Teng	D12/412
D921,567 S *	6/2021	Pearce	D12/412
D921,568 S *	6/2021	Xia	D12/412
D929,930 S *	9/2021	Park	D12/406
D940,631 S *	1/2022	Gangappa	D12/412

* cited by examiner

Primary Examiner — Katrina A Betton

(74) *Attorney, Agent, or Firm* — Runit Ranjit Kanakia

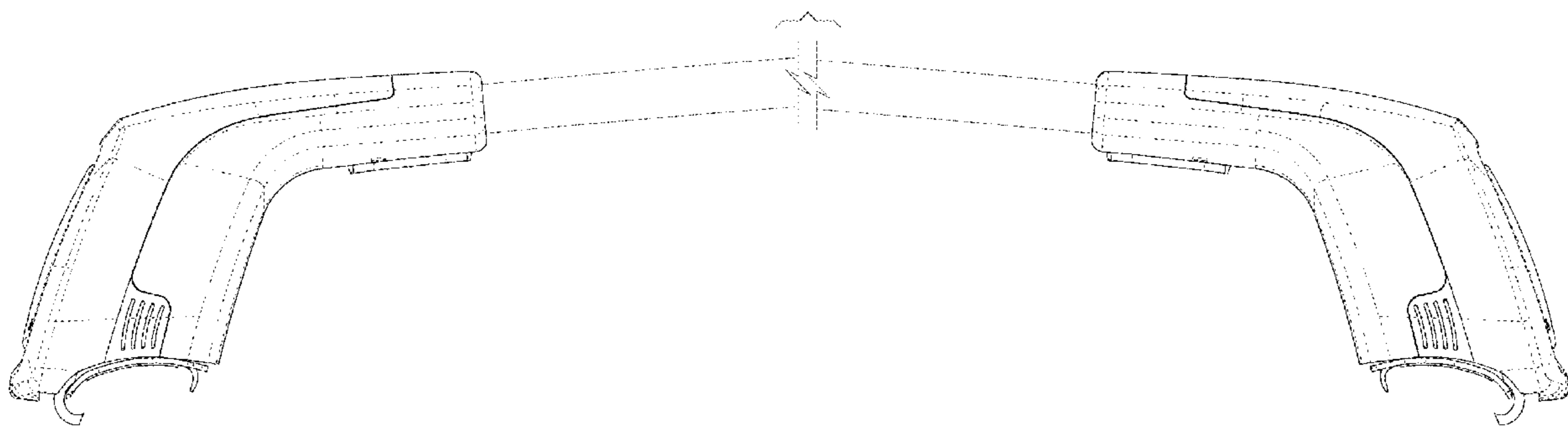
(57) **CLAIM**

The ornamental design for a roof rack crossbar, as shown and described.

DESCRIPTION

FIG. 1 is a perspective view of a roof rack crossbar showing my new design;
 FIG. 2 is another perspective view thereof;
 FIG. 3 is a front elevational view thereof;
 FIG. 4 is a rear elevational view thereof;
 FIG. 5 is a left devotional view thereof the right side view is identical;
 FIG. 6 is a top side view thereof;
 FIG. 7 is a bottom plan view thereof;
 FIG. 8 is a partial enlarged view of FIG. 1;
 FIG. 9 is a partial enlarged view of FIG. 2; and,
 FIG. 10 is a partial enlarged view of FIG. 2.
 The broken lines in the figures are for the purposes of illustrating portions of the roof rack crossbar, which form no part of the claimed design.

1 Claim, 10 Drawing Sheets



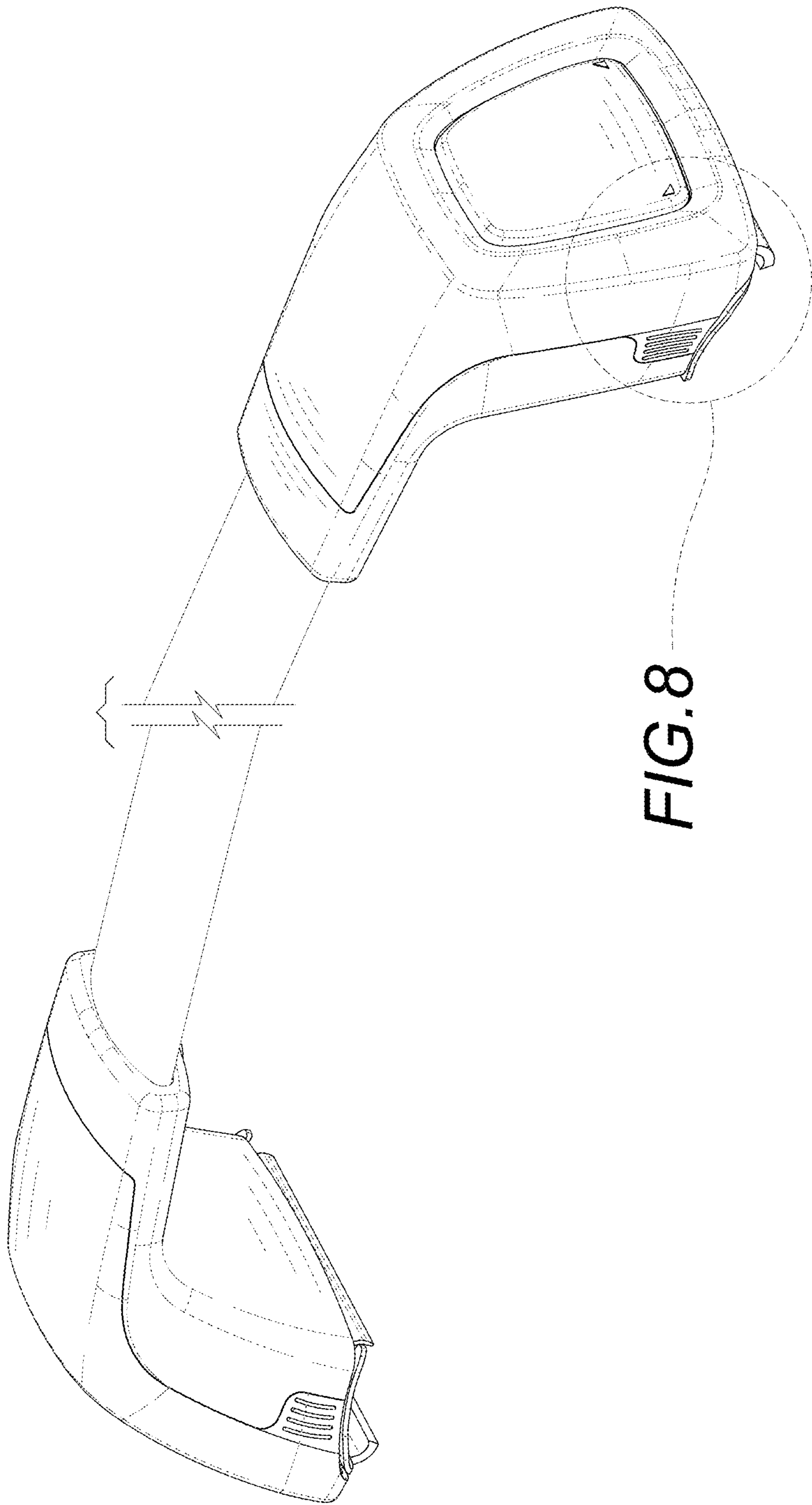


FIG. 8

FIG. 1

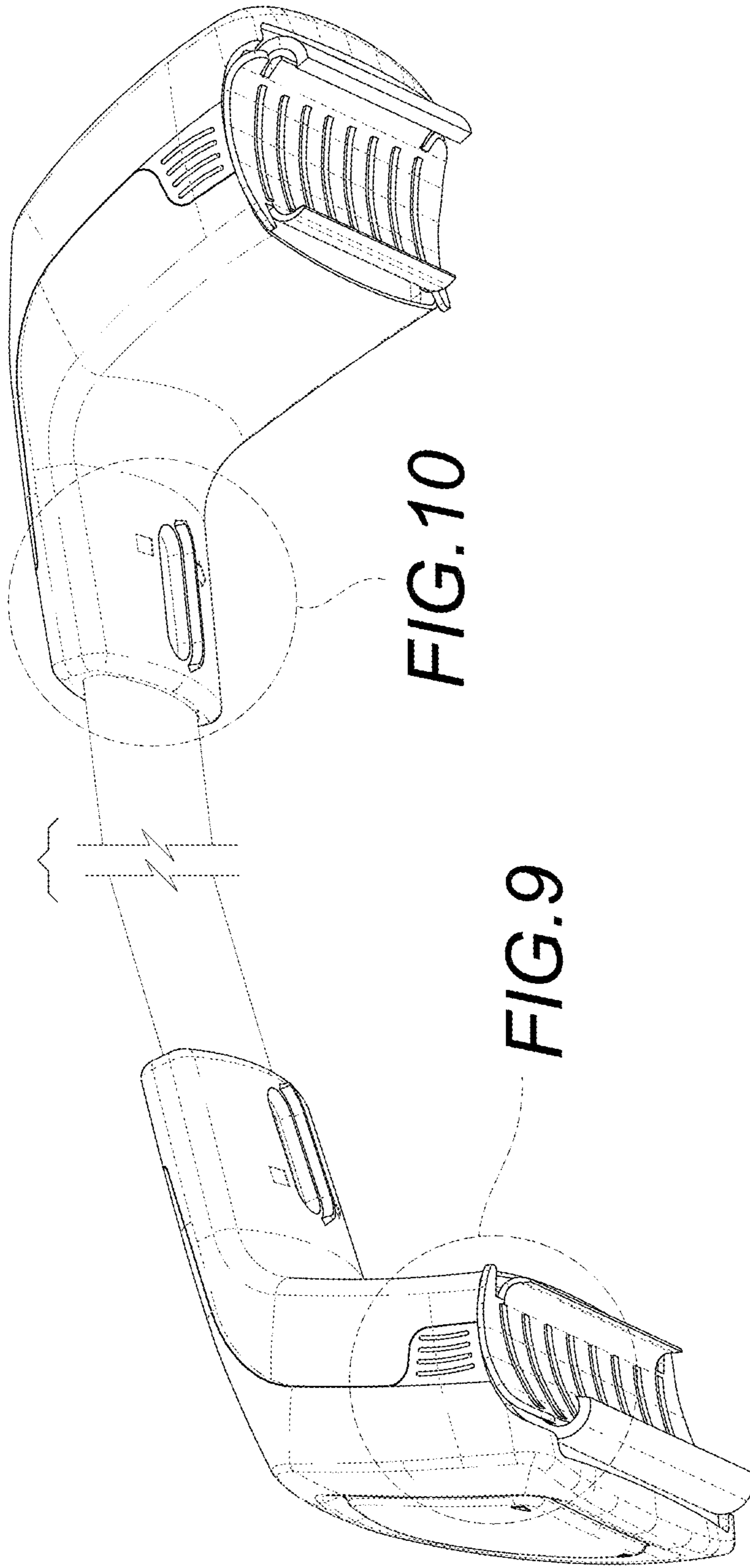


FIG. 2

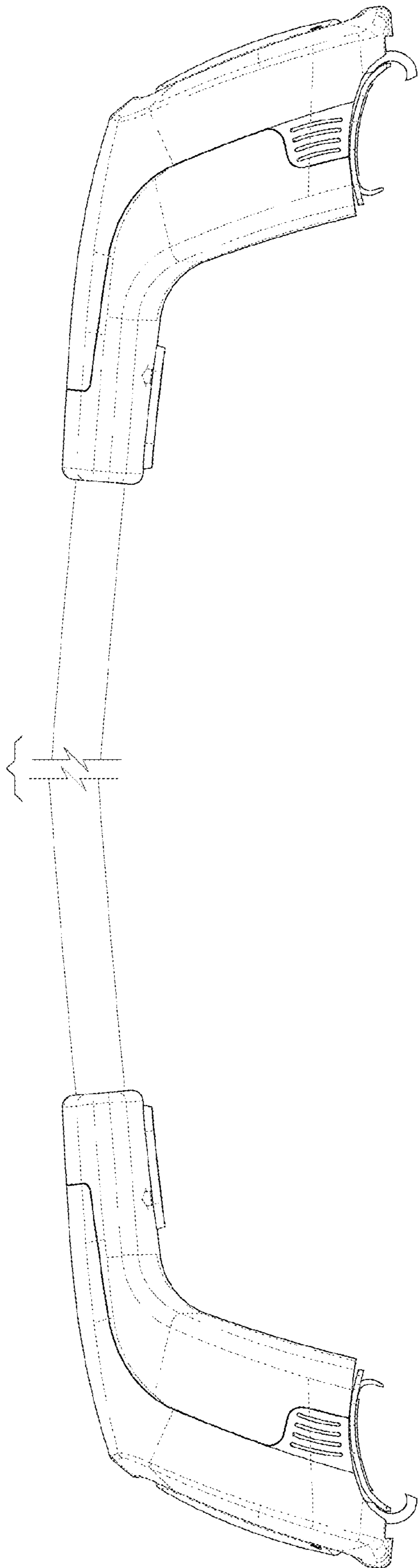


FIG. 3

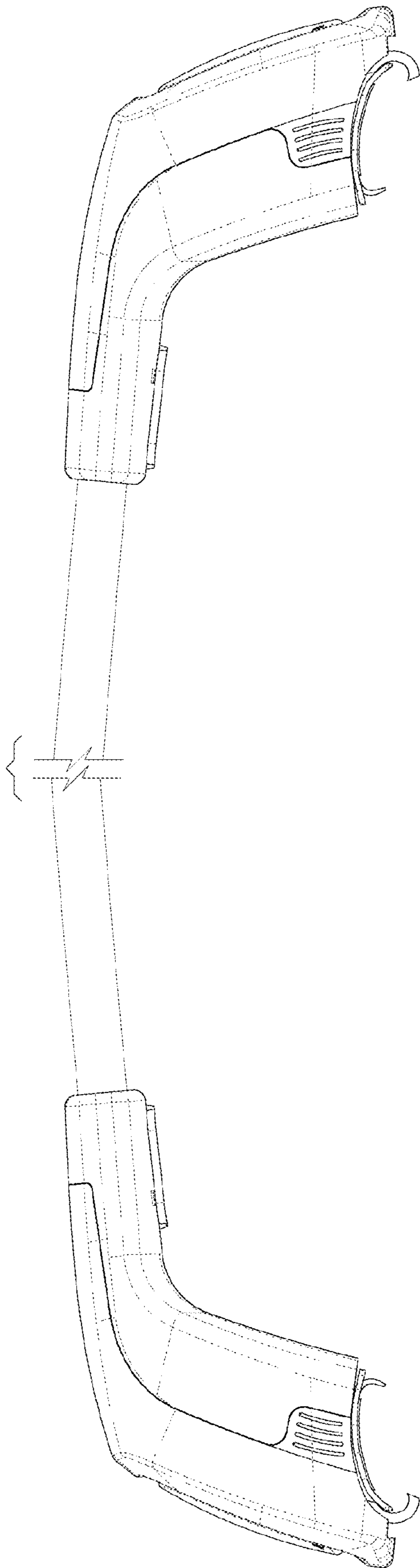


FIG. 4

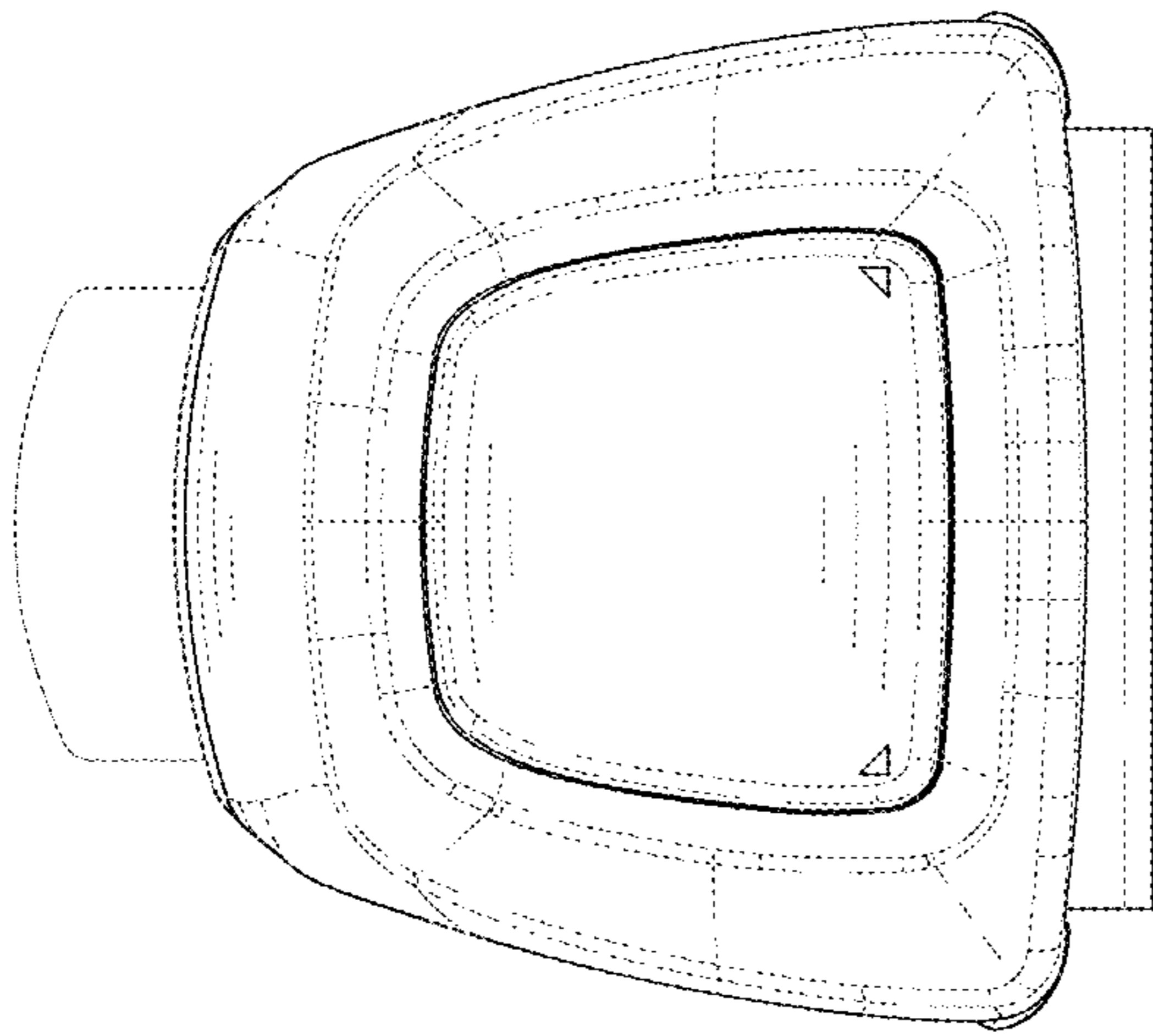


FIG. 5

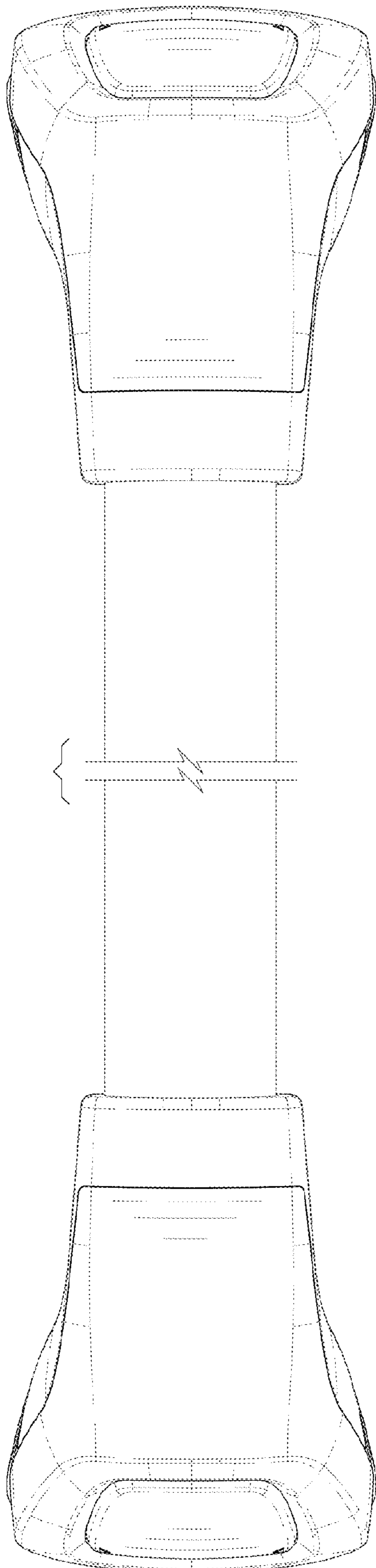


FIG. 6

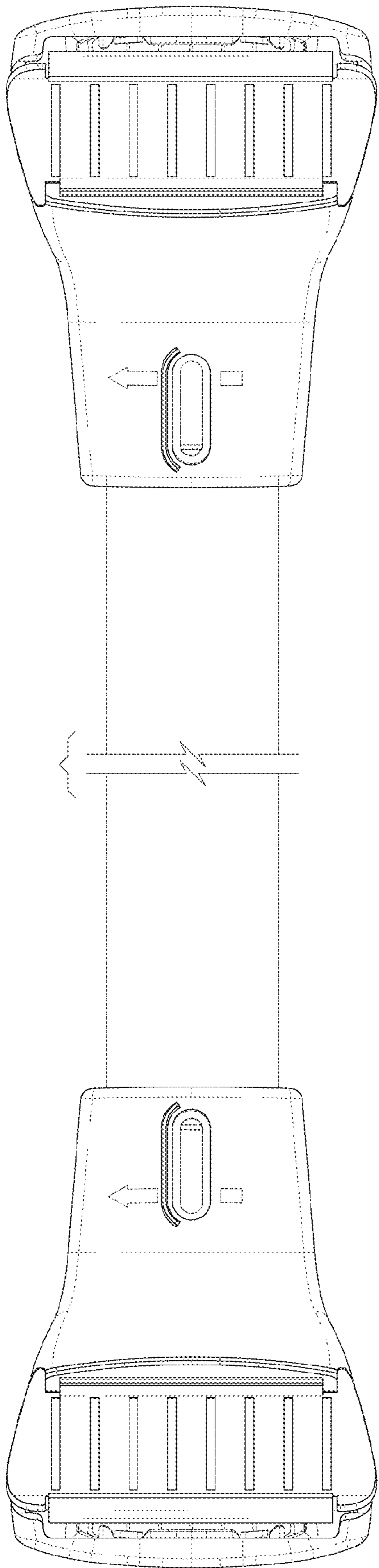


FIG. 7

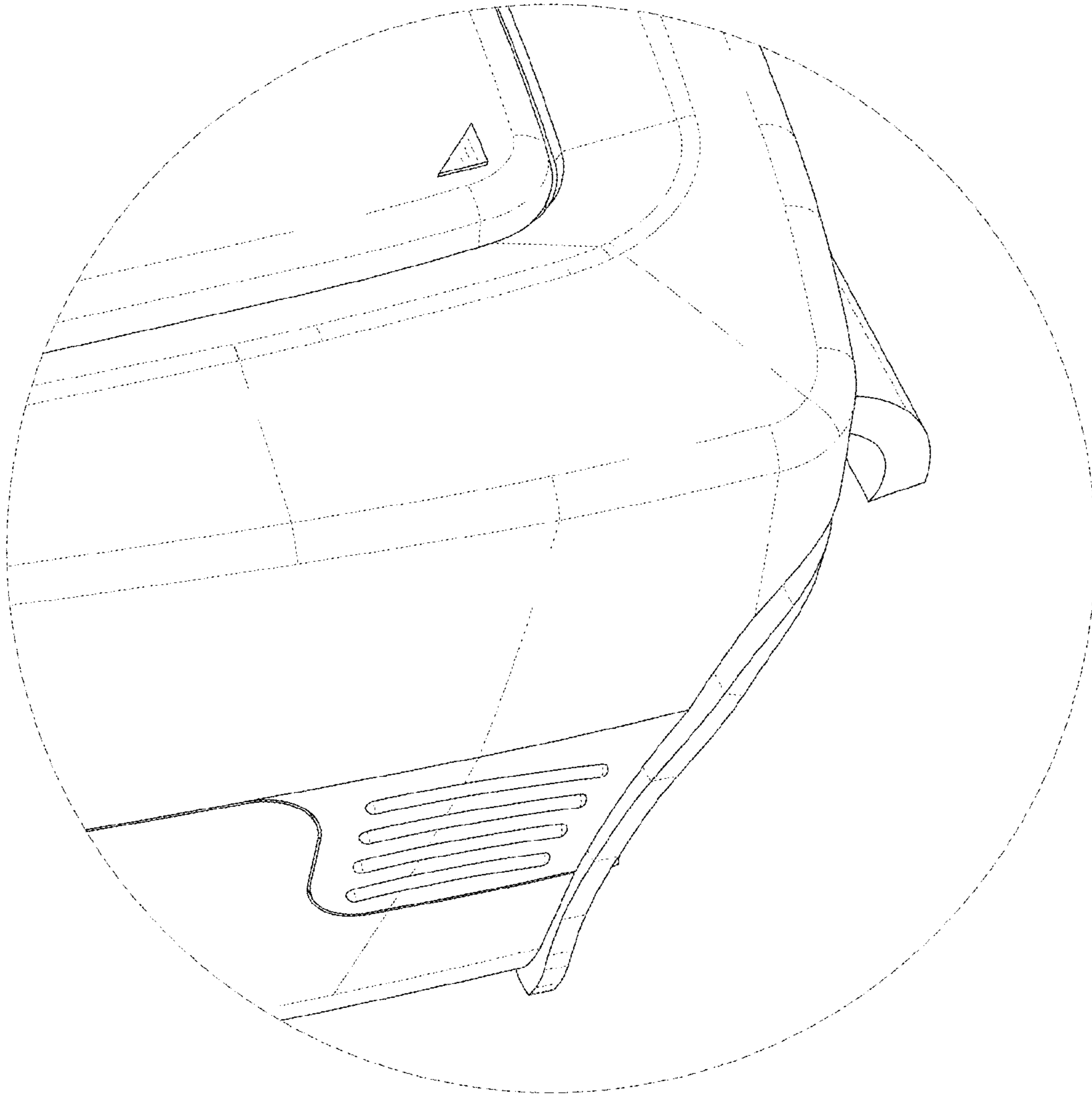


FIG. 8

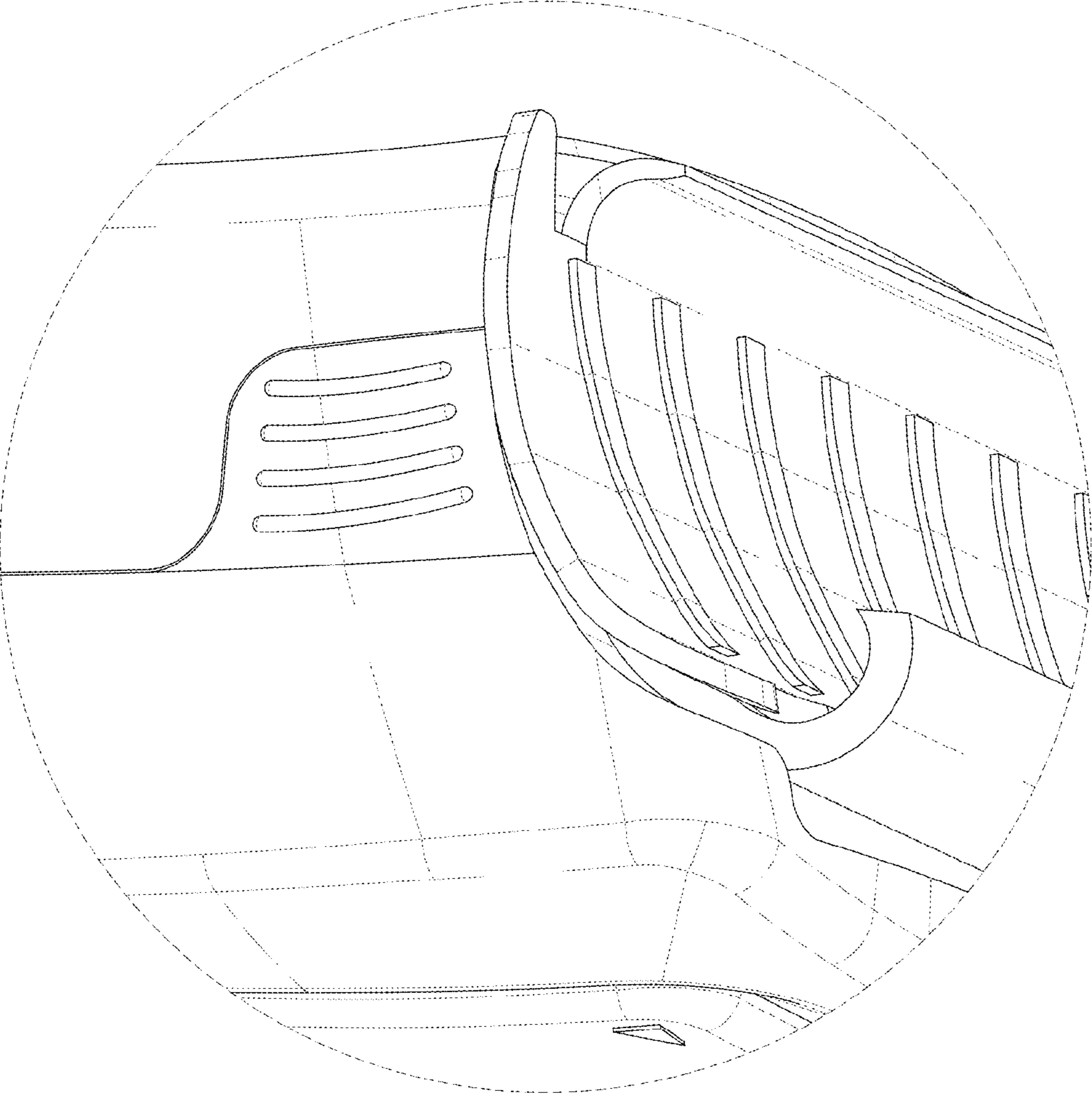


FIG. 9

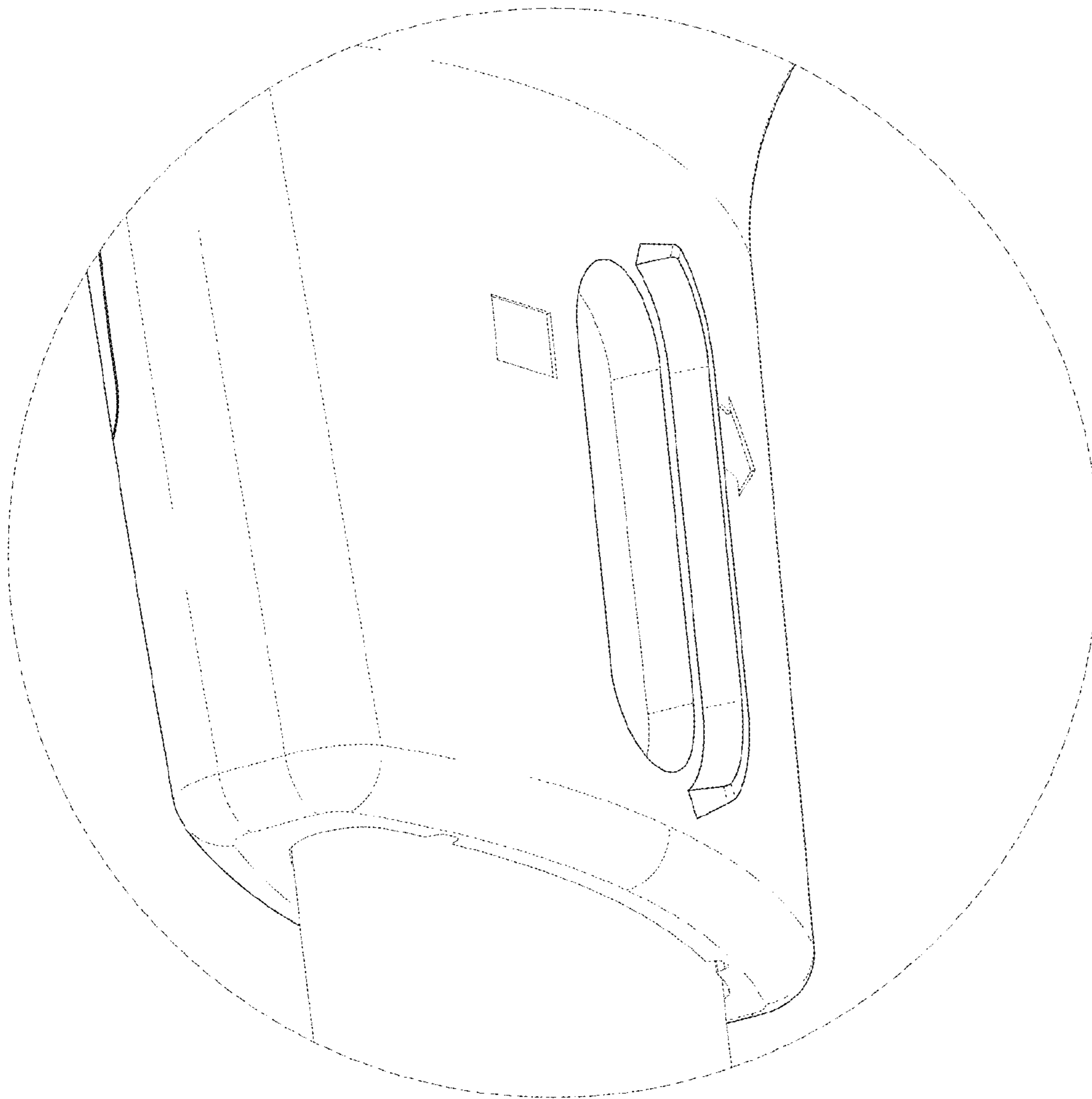


FIG. 10