

US00D968310S

(12) **United States Design Patent**
Nickles

(10) **Patent No.:** **US D968,310 S**

(45) **Date of Patent:** **** Nov. 1, 2022**

- (54) **ROOFTOP TENT SHELL**
- (71) Applicant: **Timothy Nickles**, Boulder, CO (US)
- (72) Inventor: **Timothy Nickles**, Boulder, CO (US)
- (**) Term: **15 Years**
- (21) Appl. No.: **29/762,704**
- (22) Filed: **Dec. 17, 2020**
- (51) **LOC (13) Cl.** **12-16**
- (52) **U.S. Cl.**
USPC **D12/403**
- (58) **Field of Classification Search**
USPC D12/401, 403, 404, 413, 414, 406, 412,
D12/414.4
CPC B60R 9/045; E04H 15/54; E04H 15/008;
E04H 15/06; B60P 3/39; B60P 3/341
See application file for complete search history.

D726,638	S	*	4/2015	Rupp	D12/413
9,222,278	B2	*	12/2015	Park	E04H 15/06
D773,378	S	*	12/2016	Sagen	D12/413
D820,192	S	*	6/2018	Currid	D12/403
10,077,574	B1	*	9/2018	Currid	B60R 9/045
D865,643	S	*	11/2019	Wheeler	D12/404
10,590,675	B2	*	3/2020	Zhou	E04H 15/008
11,105,112	B2	*	8/2021	Montesalvo	E04H 15/54
11,130,437	B1	*	9/2021	Tatro	B60P 3/39

* cited by examiner

Primary Examiner — Susan E Krakower
Assistant Examiner — Jerry Shiuan-Hua Hsu

(57) **CLAIM**

The ornamental design for a rooftop tent shell, as shown and described.

DESCRIPTION

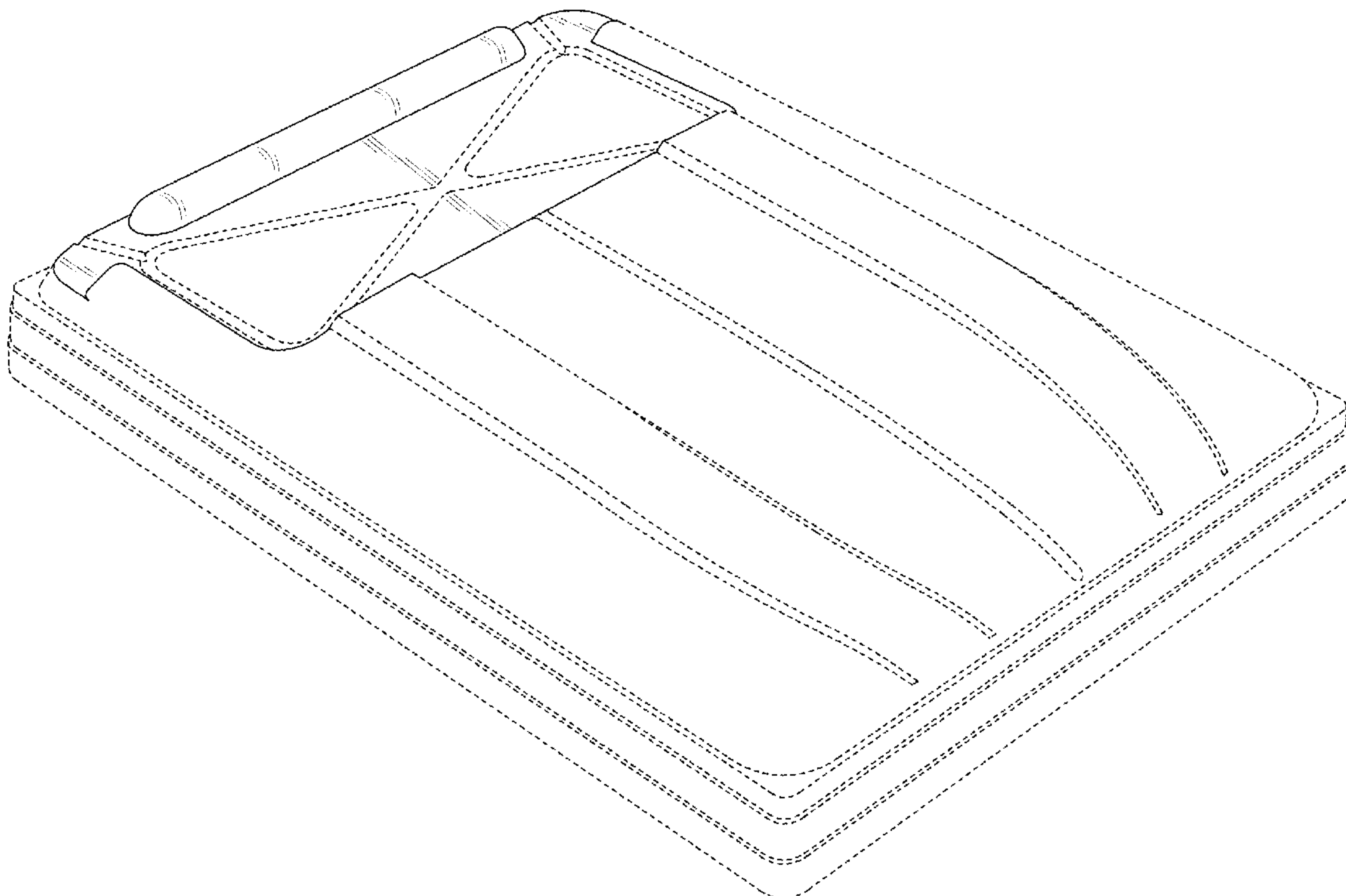
FIG. 1 is a top isometric view of a rooftop tent shell showing the design;
 FIG. 2 is a bottom isometric view thereof;
 FIG. 3 is a rear view thereof;
 FIG. 4 is a front view thereof;
 FIG. 5 is a left view thereof;
 FIG. 6 is a right view thereof;
 FIG. 7 is a top view thereof; and,
 FIG. 8 is a bottom view thereof.
 The broken lines illustrate portions of the rooftop tent shell which form no part of the claimed design.

1 Claim, 8 Drawing Sheets

(56) **References Cited**

U.S. PATENT DOCUMENTS

5,544,671	A	*	8/1996	Phillips	B60P 3/341 135/88.14
D406,558	S	*	3/1999	Pendergraph	D12/413
D420,321	S	*	2/2000	McCoy	D12/413
D428,382	S	*	7/2000	Hall	D12/401
D462,312	S	*	9/2002	Klein	D12/413
D503,144	S	*	3/2005	Rex	D12/413
D513,602	S	*	1/2006	Lynch	D12/413
D514,056	S	*	1/2006	Nadeau	D12/401
D662,444	S	*	6/2012	Smoak	D12/102
D714,211	S	*	9/2014	Berrey	D12/413



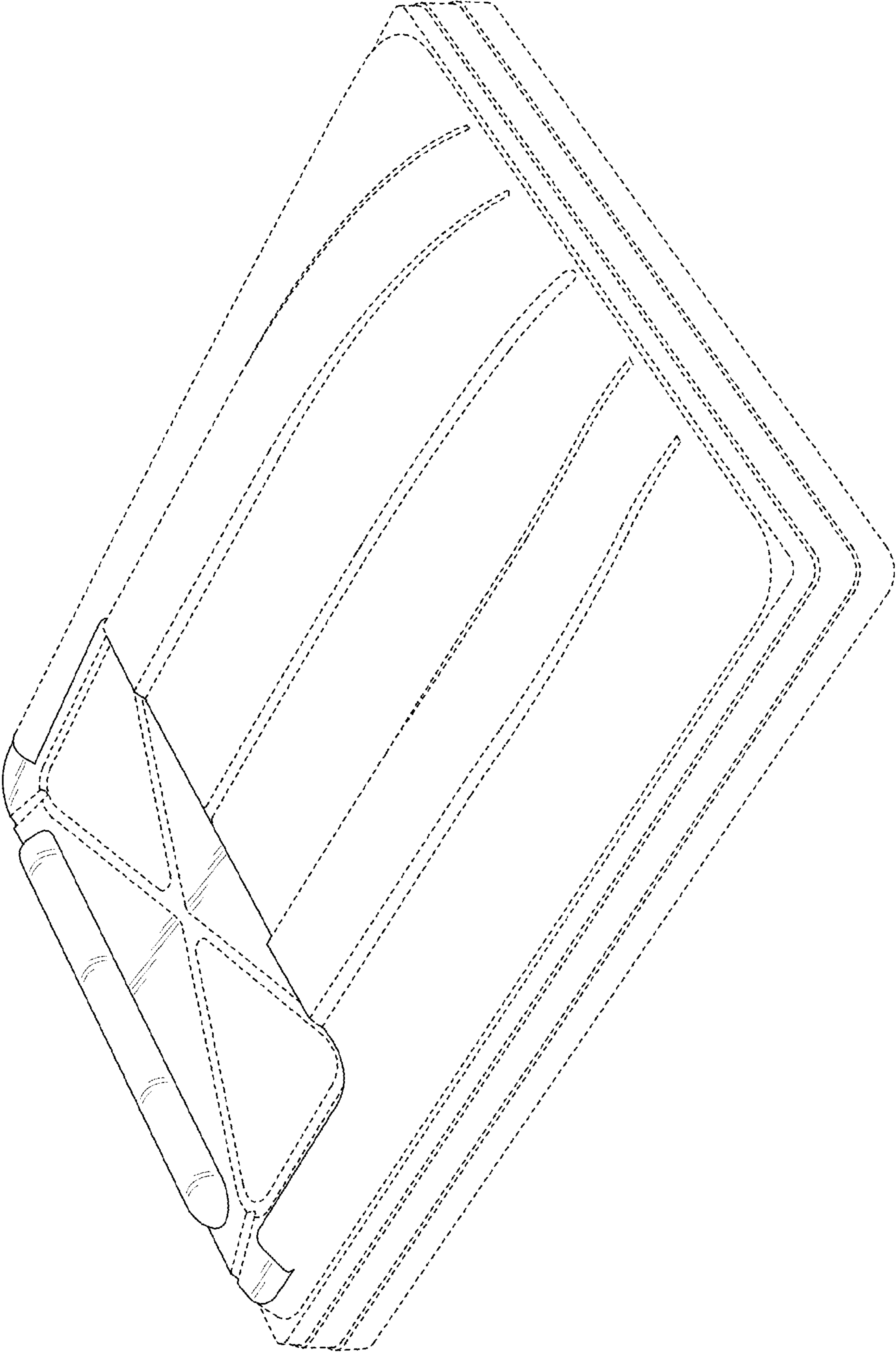


FIG. 1

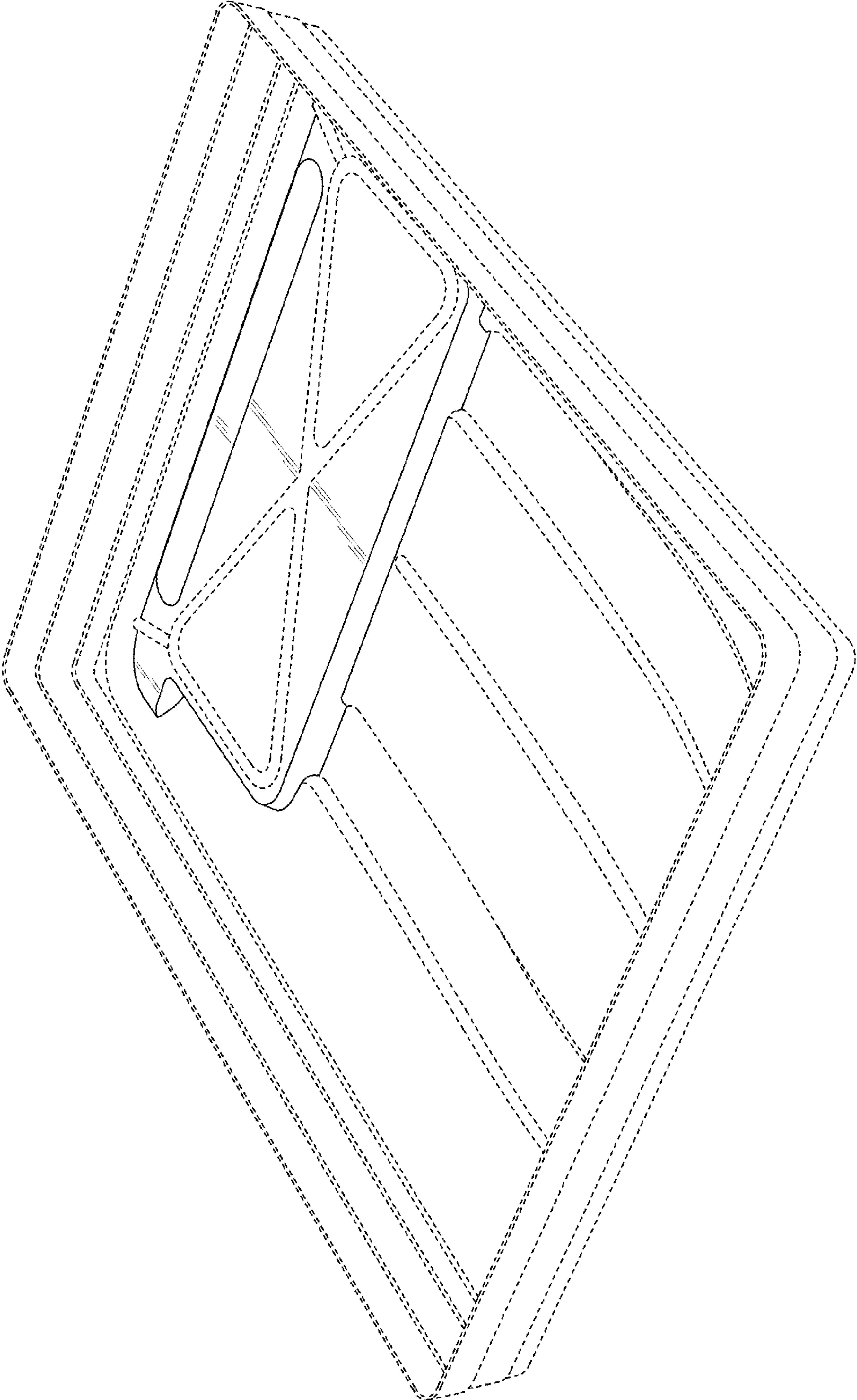


FIG. 2

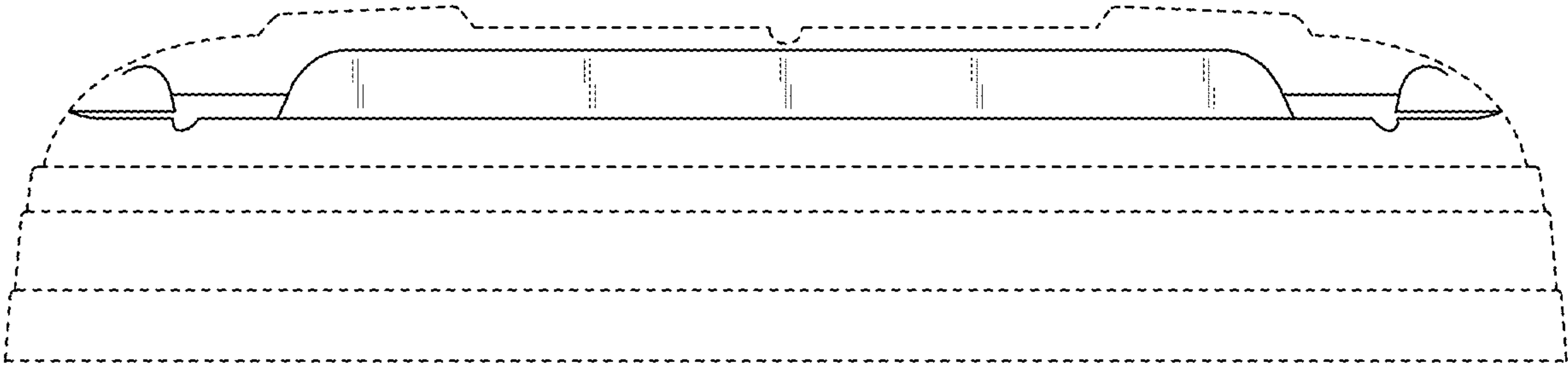


FIG. 3

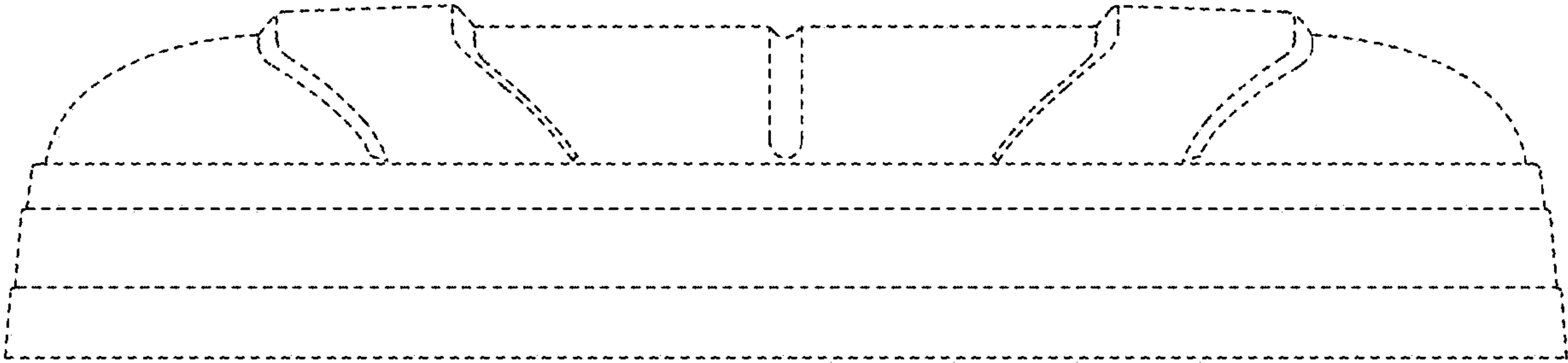


FIG. 4

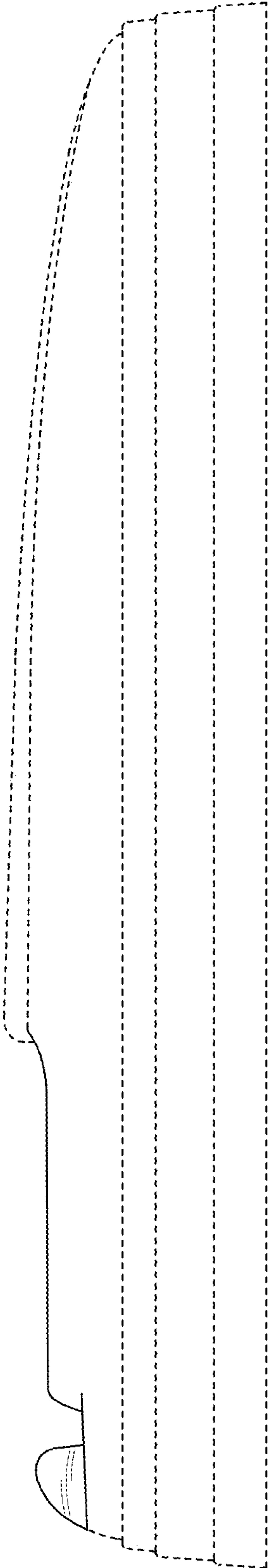


FIG. 5

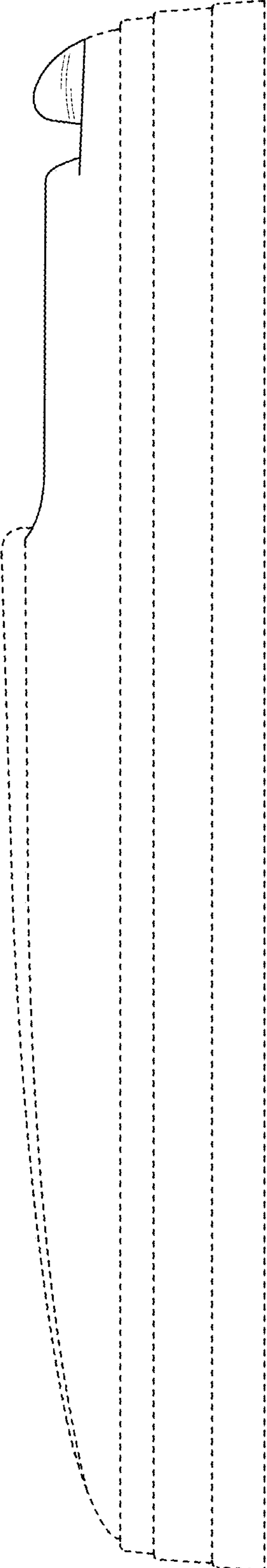


FIG. 6

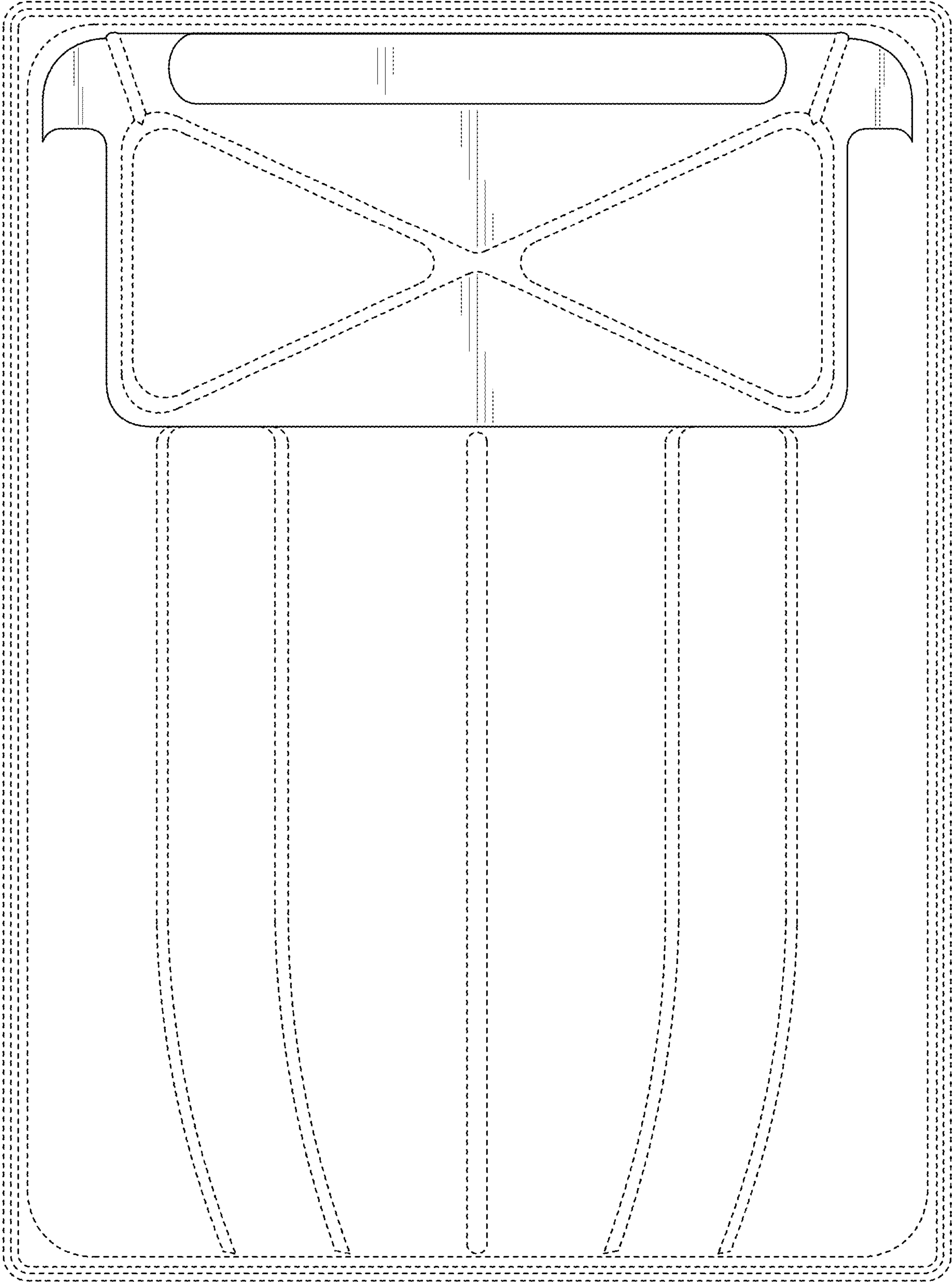


FIG. 7

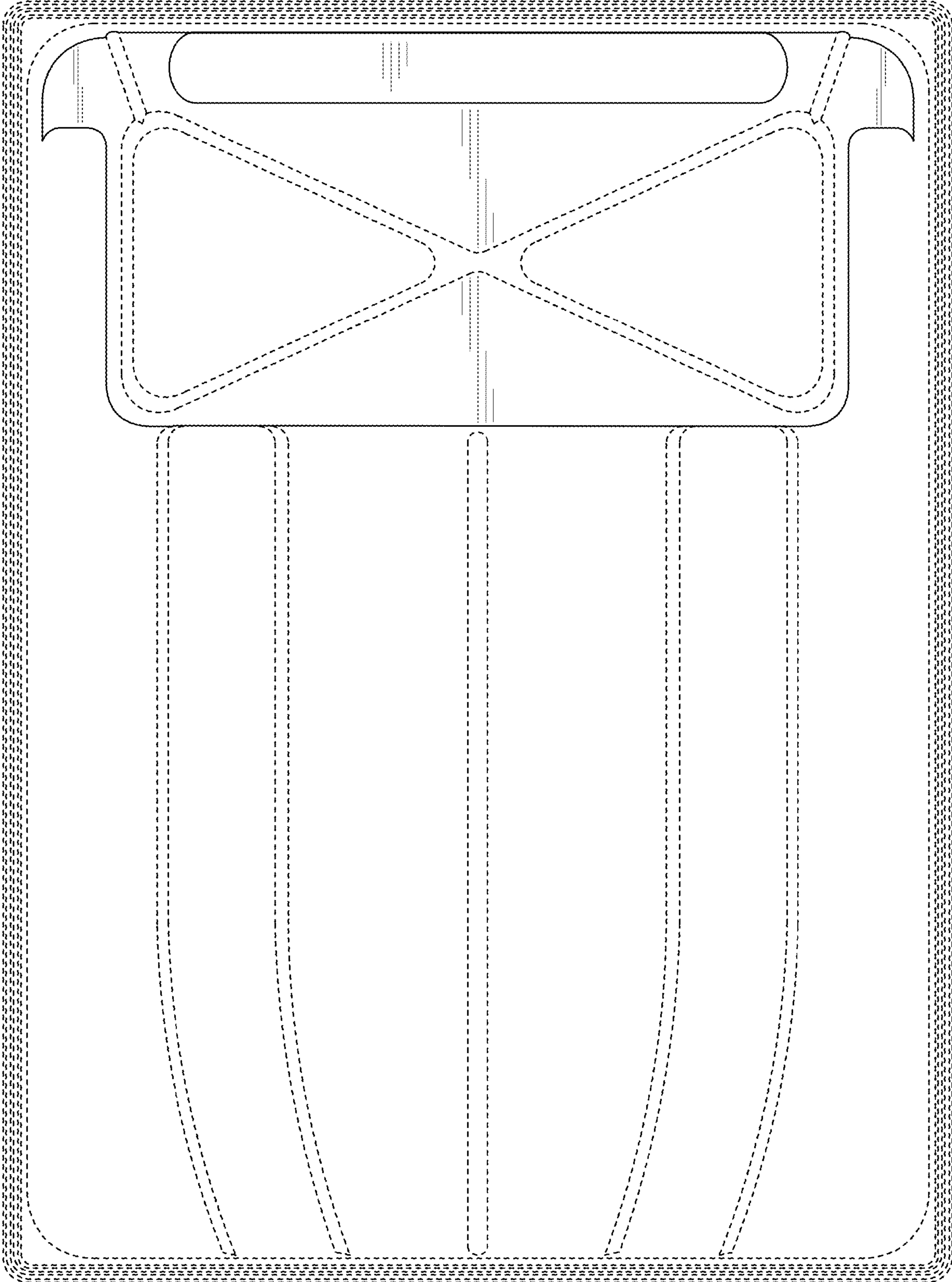


FIG. 8