



US00D968309S

(12) **United States Design Patent** (10) **Patent No.:** **US D968,309 S**  
**Robinson** (45) **Date of Patent:** **\*\* Nov. 1, 2022**

(54) **TRUCK BED CAMPER**

(71) Applicant: **C&M Robinson, Inc.**, Folsom, CA (US)

(72) Inventor: **Chad Robinson**, Folsom, CA (US)

(73) Assignee: **C&M Robinson, Inc.**, Folsom, CA (US)

(\*\*) Term: **15 Years**

(21) Appl. No.: **29/743,577**

(22) Filed: **Jul. 22, 2020**

(51) **LOC (13) Cl.** ..... **12-16**

(52) **U.S. Cl.**  
 USPC ..... **D12/401**

(58) **Field of Classification Search**  
 USPC ..... D12/401-405; D6/610, 611, 596, 601, D6/602, 603, 615, 617, 621; D7/332, D7/334-337  
 CPC ..... B60J 11/08; B60J 11/06; A47C 31/10  
 See application file for complete search history.

(56) **References Cited**

U.S. PATENT DOCUMENTS

D836,532 S	*	12/2018	King	.....	D12/404
D852,113 S	*	6/2019	Williams	.....	D12/404
D866,177 S	*	11/2019	Leh	.....	D3/247
10,596,951 B1	*	3/2020	Williams	.....	B60P 3/343
D895,276 S	*	9/2020	Leh	.....	D3/247

10,994,647 B1	*	5/2021	Dence	.....	B60P 3/34
11,371,255 B2	*	6/2022	Frederickson	.....	E04H 15/06
2015/0061317 A1	*	3/2015	Badger	.....	B60P 3/341
					296/165
2015/0145279 A1	*	5/2015	Eickhoff	.....	B60P 3/36
					296/167
2017/0240089 A1	*	8/2017	Tait	.....	B60P 3/34
2019/0202333 A1	*	7/2019	Delgadillo	.....	B60P 3/341
2020/0148089 A1	*	5/2020	Thompson	.....	B60P 3/34

\* cited by examiner

*Primary Examiner* — Katrina A Betton  
 (74) *Attorney, Agent, or Firm* — Lee & Hayes, P.C.

(57) **CLAIM**

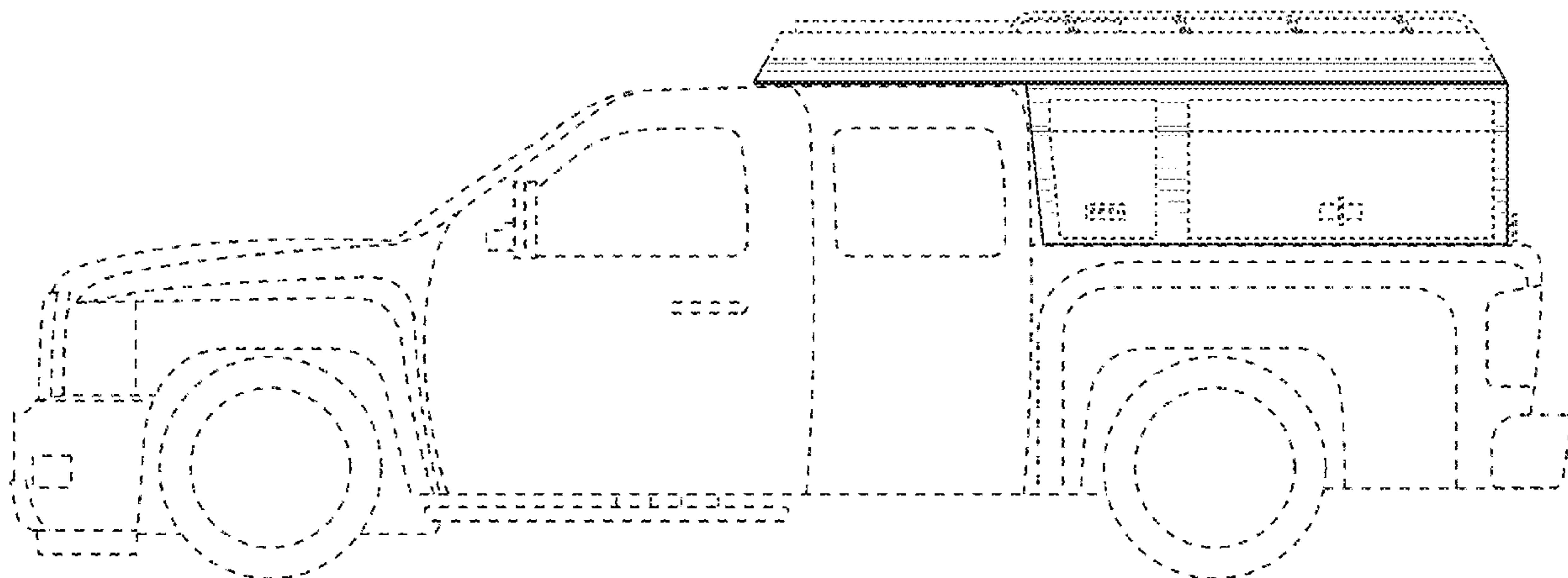
The ornamental design for a truck bed camper, as shown and described.

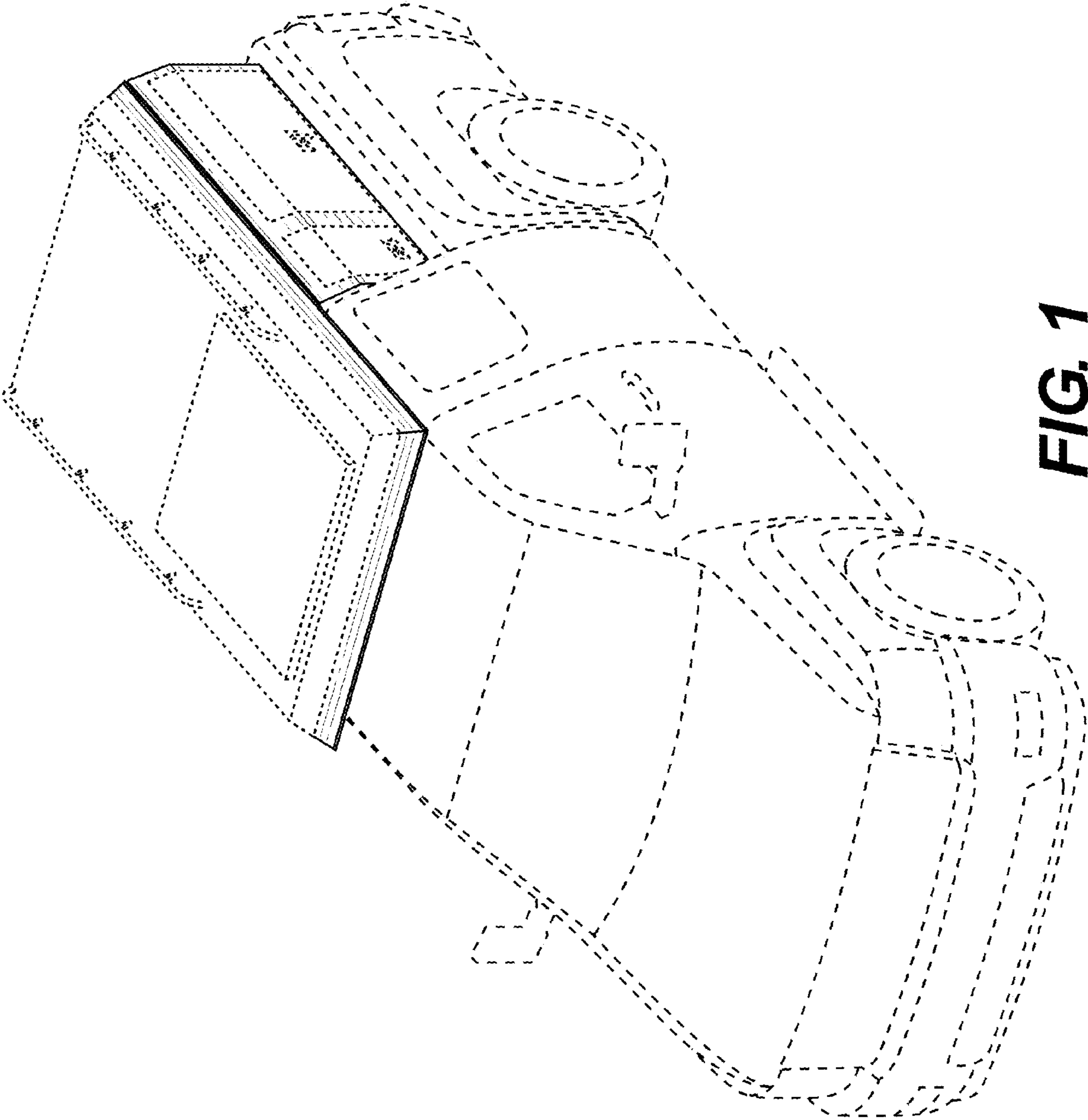
**DESCRIPTION**

FIG. 1 is a top, front, right-side perspective view of a truck bed camper in a closed position;  
 FIG. 2 is a top, back, left-side perspective view thereof;  
 FIG. 3 is a front view thereof;  
 FIG. 4 is a back view thereof;  
 FIG. 5 is a left-side view thereof;  
 FIG. 6 is a right-side view thereof; and,  
 FIG. 7 is a top view thereof.

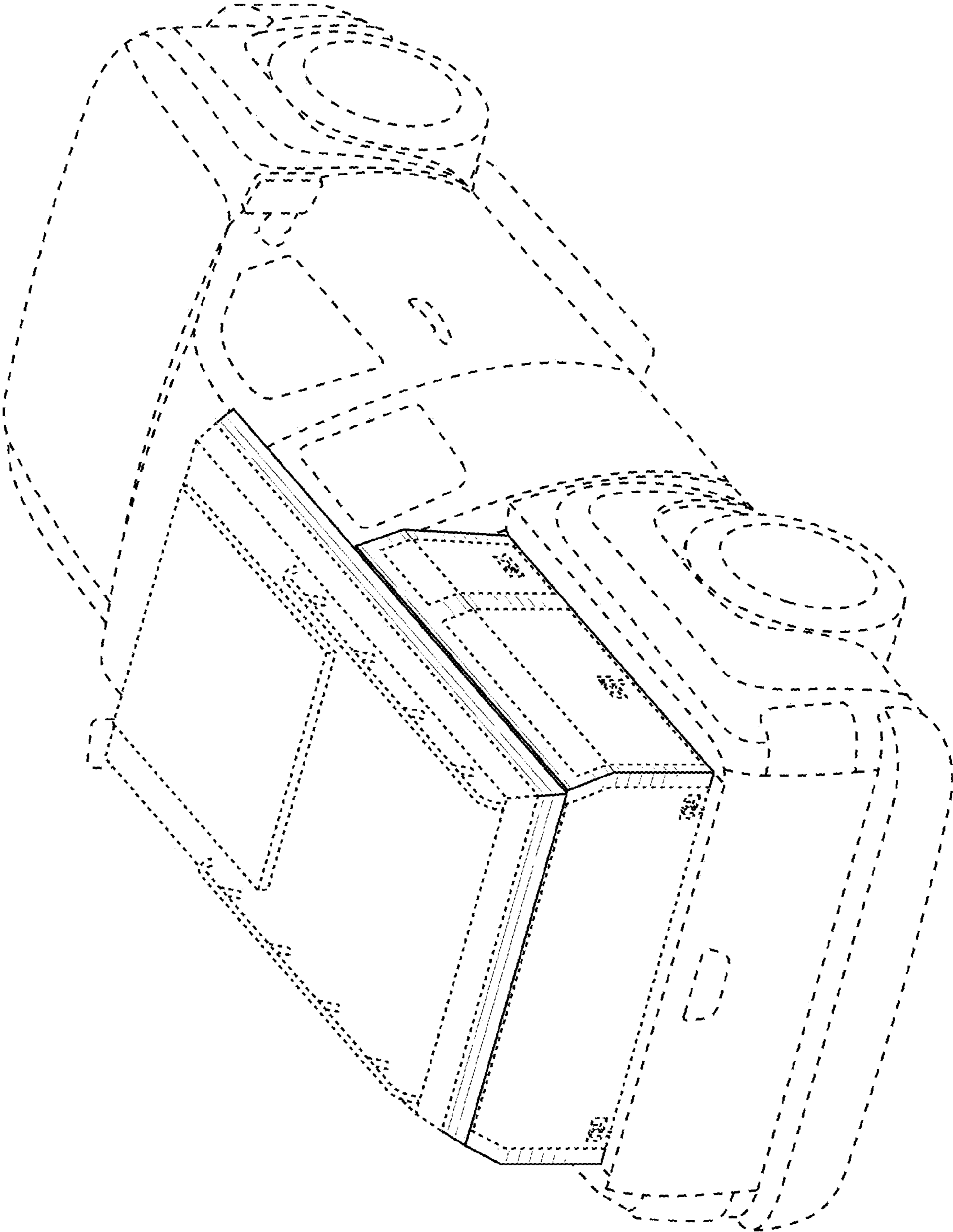
The dashed broken lines depict portions of the truck bed camper or environment of the truck bed camper that form no part of the claimed design.

**1 Claim, 7 Drawing Sheets**

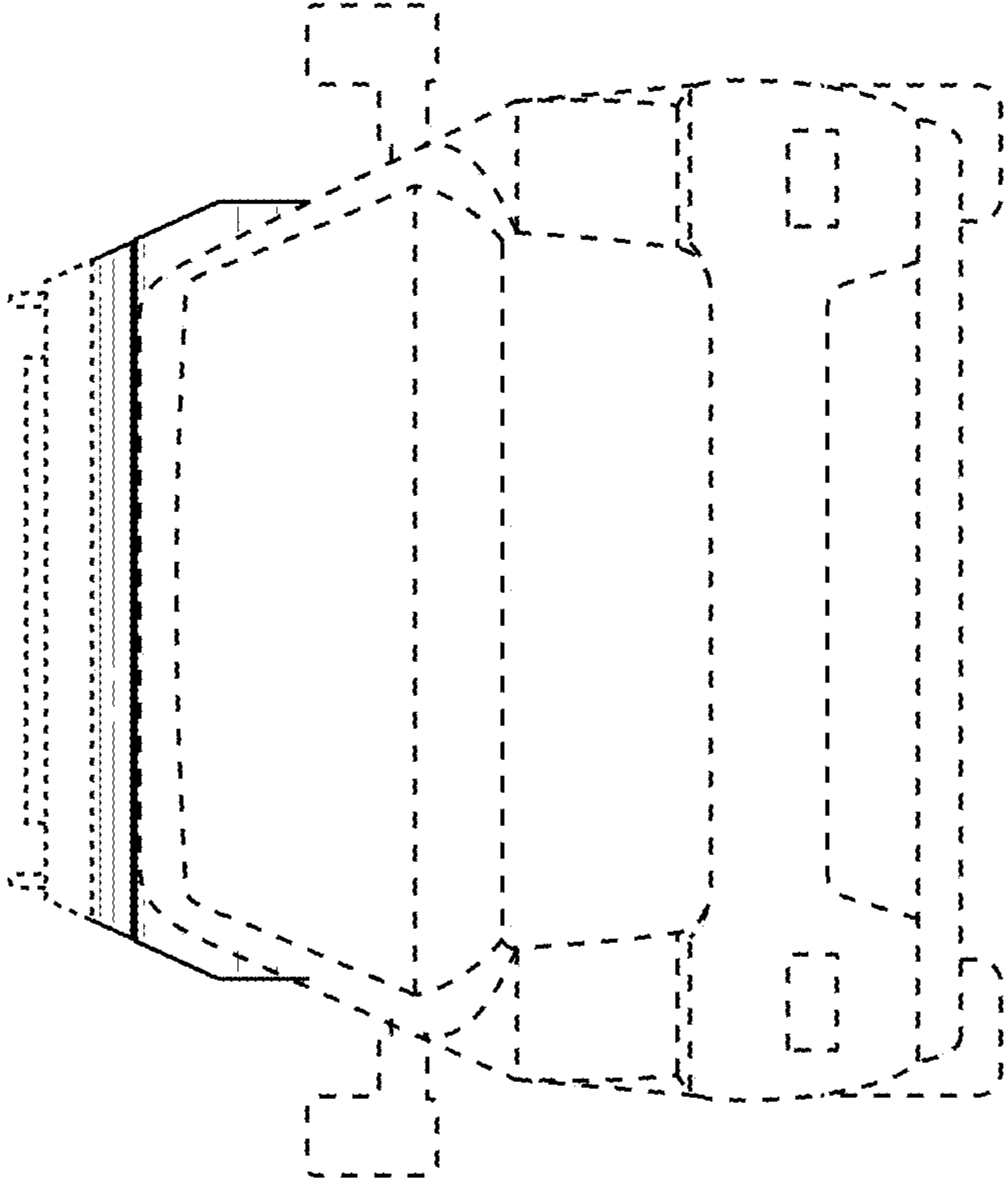




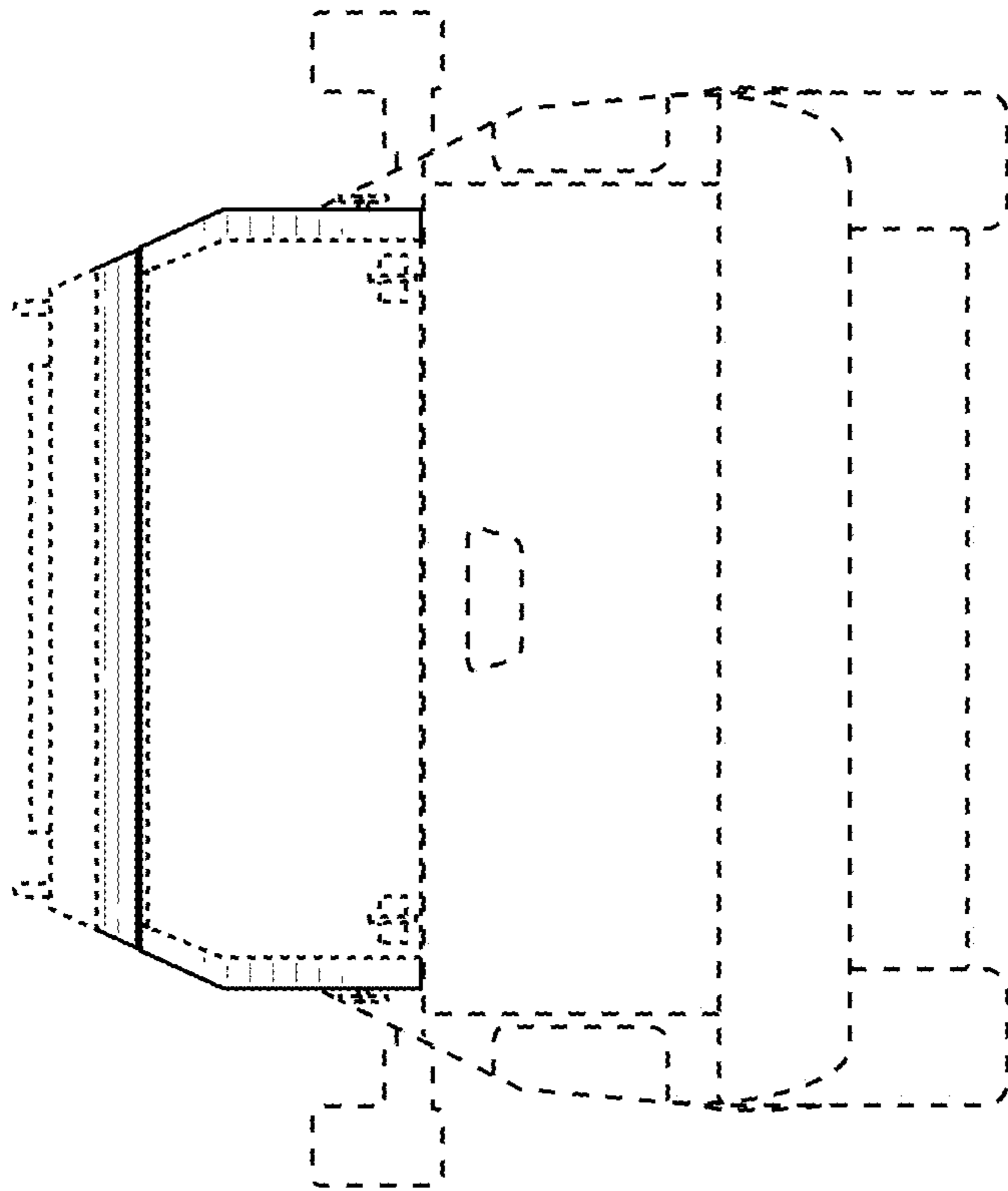
**FIG. 1**



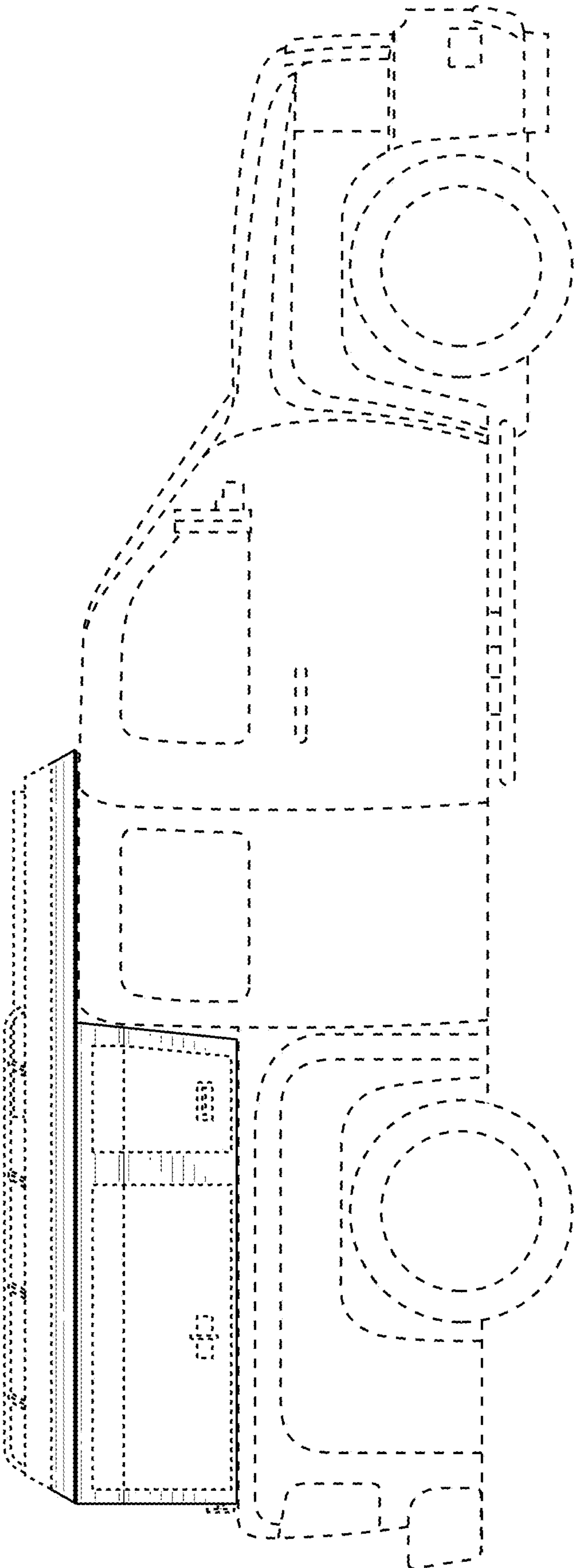
**FIG. 2**



**FIG. 3**

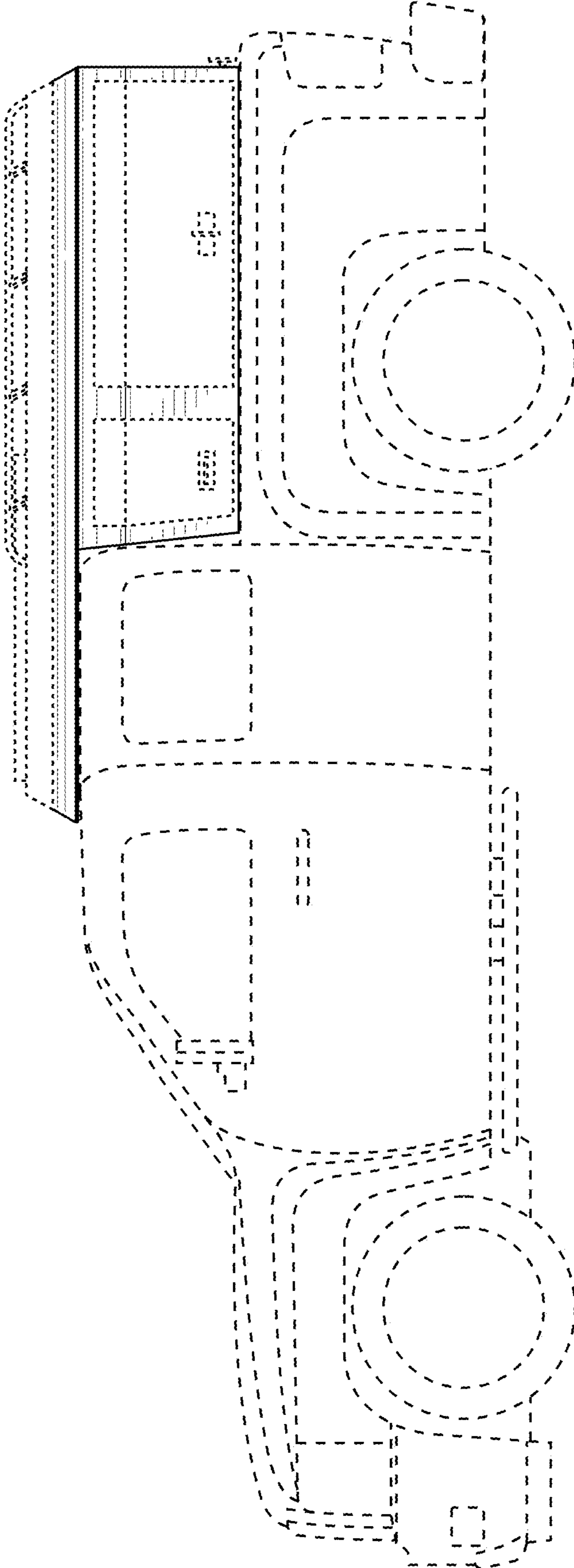


**FIG. 4**

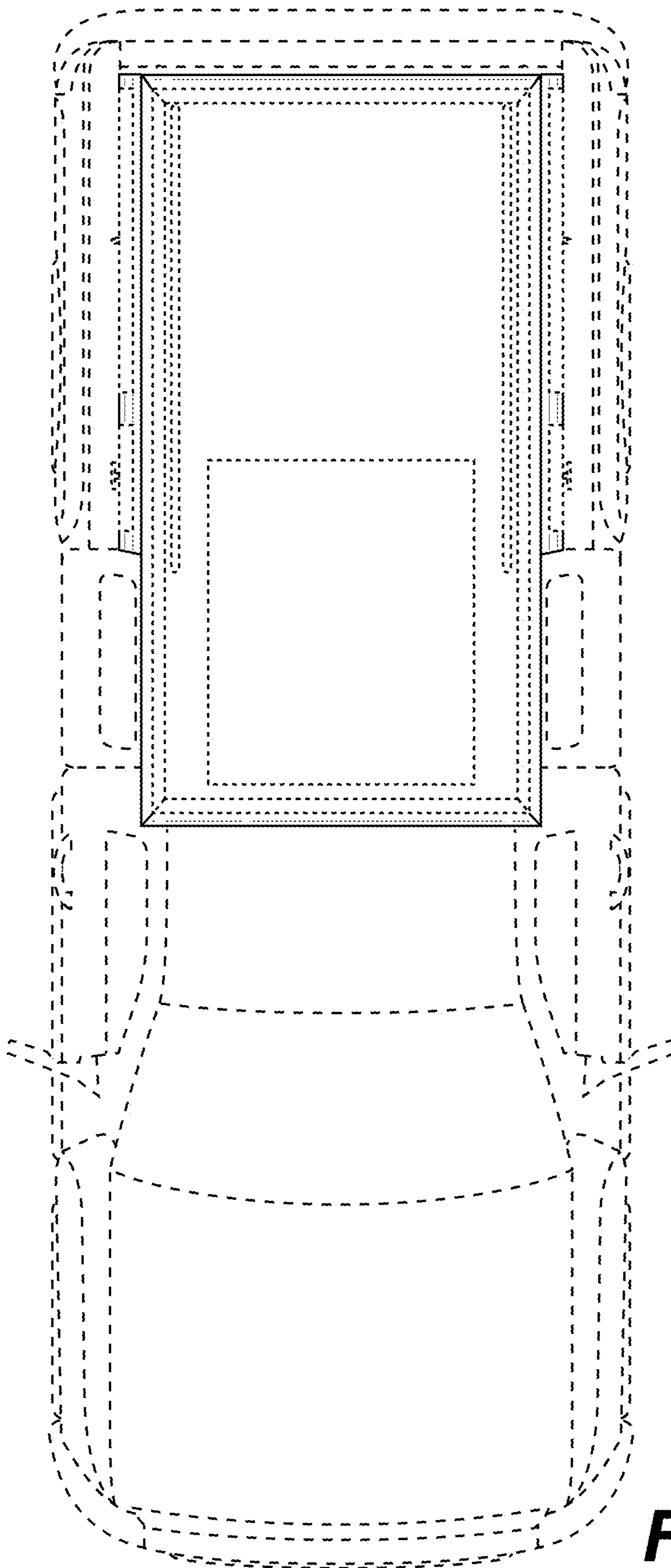


**FIG. 5**





**FIG. 6**



**FIG. 7**