



US00D968305S

(12) **United States Design Patent**
Bonham

(10) **Patent No.:** **US D968,305 S**

(45) **Date of Patent:** **** Nov. 1, 2022**

(54) **VEHICLE WHEEL**

(71) Applicant: **JAGUAR LAND ROVER LIMITED,**
Coventry (GB)

(72) Inventor: **Ben Bonham,** Coventry (GB)

(73) Assignee: **JAGUAR LAND ROVER LIMITED,**
Coventry (GB)

(**) Term: **15 Years**

(21) Appl. No.: **29/762,851**

(22) Filed: **Dec. 18, 2020**

(30) **Foreign Application Priority Data**

Jun. 29, 2020 (EM) 008026330-0001

(51) **LOC (13) Cl.** **12-16**

(52) **U.S. Cl.**
USPC **D12/209**

(58) **Field of Classification Search**

USPC D12/204–213; D21/563
CPC B60B 7/00; B60B 7/01; B60B 7/02; B60B
7/04; B60B 7/06; B60B 3/02; B60B 3/04;
B60B 3/06; B60B 3/10; B60B 1/00;
B60B 1/08; B60B 1/10; B60B 1/12

See application file for complete search history.

(56) **References Cited**

U.S. PATENT DOCUMENTS

D656,443 S * 3/2012 Fetherston D12/209
D730,795 S * 6/2015 Mays D12/209

D753,043 S * 4/2016 Pollmann D12/209
D803,755 S * 11/2017 Widua D12/211
D851,006 S * 6/2019 Hans D12/209
D861,568 S * 10/2019 Kim D12/209
D864,830 S * 10/2019 Khachatryan D12/209
D874,376 S * 2/2020 Henry D12/209
D897,920 S * 10/2020 Hoste D12/209
D899,336 S * 10/2020 Okaji D12/209
D901,356 S * 11/2020 Ninov D12/209
D918,117 S * 5/2021 Ma D12/209
D929,288 S * 8/2021 Jonason D12/209

* cited by examiner

Primary Examiner — Cary M Robinson

Assistant Examiner — Adam C Mager

(74) *Attorney, Agent, or Firm* — Reising Ethington P.C.

(57) **CLAIM**

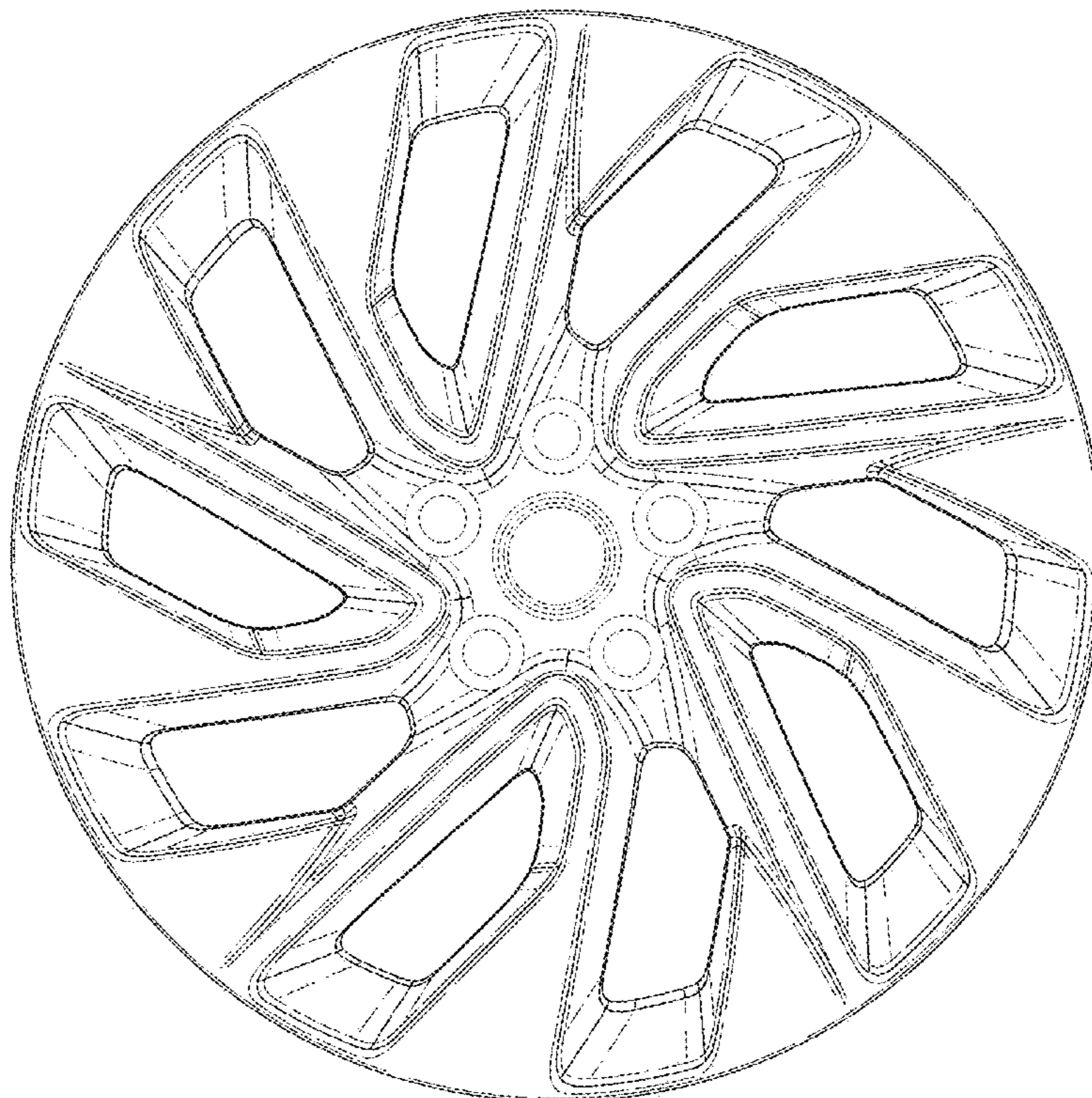
The ornamental design for a vehicle wheel, as shown and described.

DESCRIPTION

FIG. 1 is a frontside perspective view of the vehicle wheel;
FIG. 2 is a rearside perspective view thereof;
FIG. 3 is a front view thereof;
FIG. 4 is a rear view thereof;
FIG. 5 is a left side view thereof;
FIG. 6 is a right side view thereof;
FIG. 7 is a top view thereof; and,
FIG. 8 is a bottom view thereof.

The broken lines shown in the drawings depict portions of the vehicle wheel that form no part of the claimed design.

1 Claim, 8 Drawing Sheets



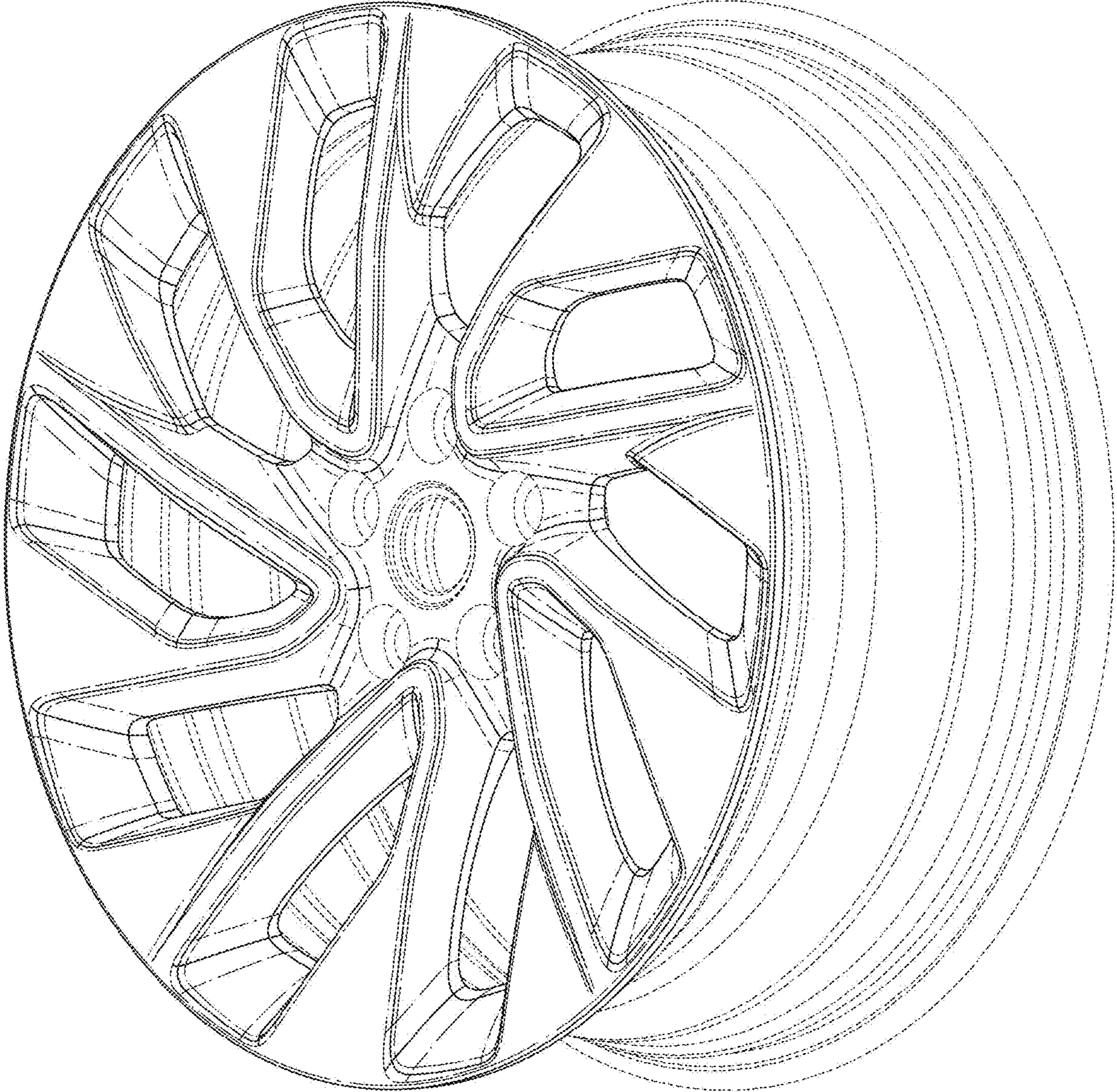


FIG. 1

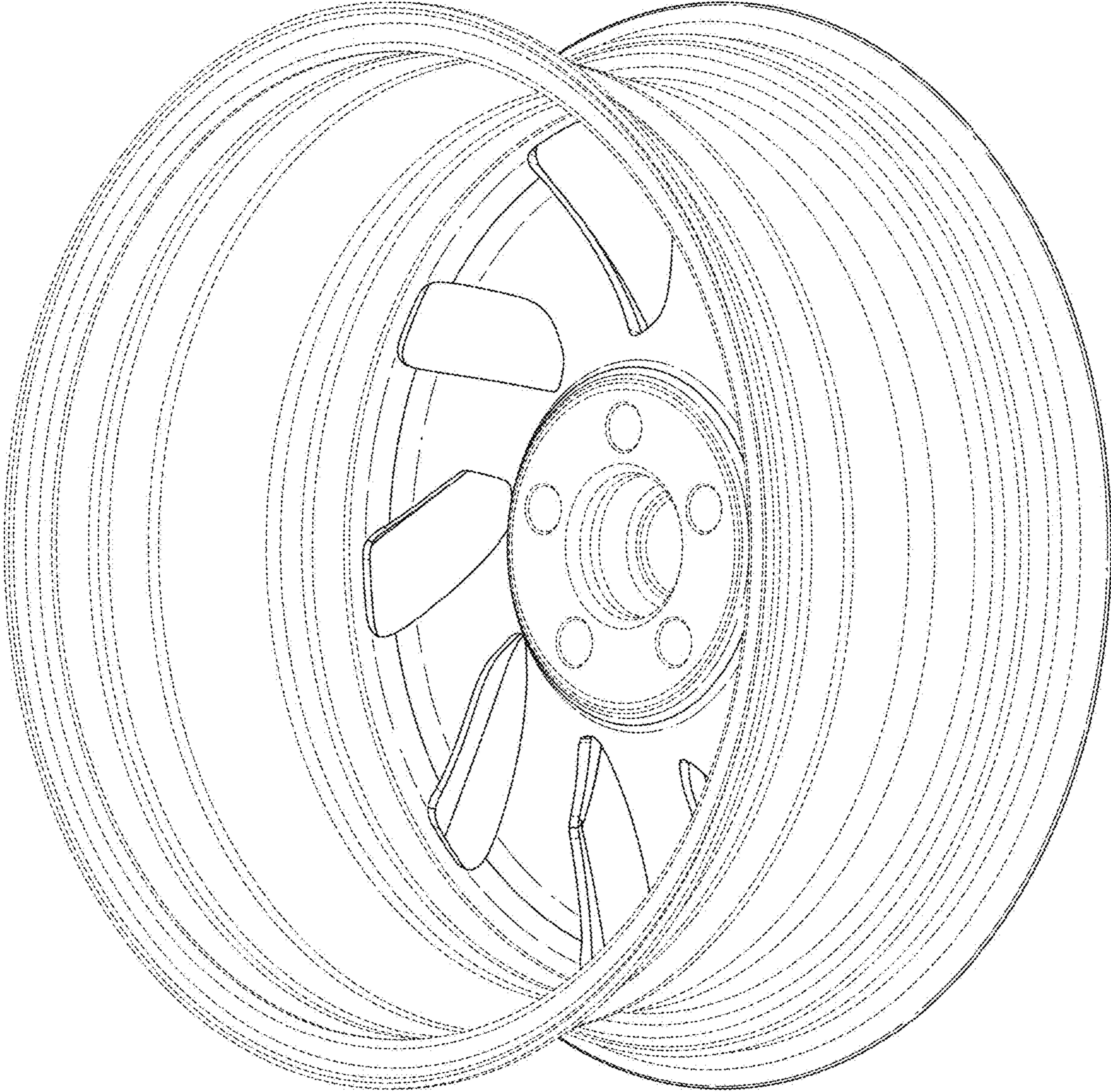


FIG. 2

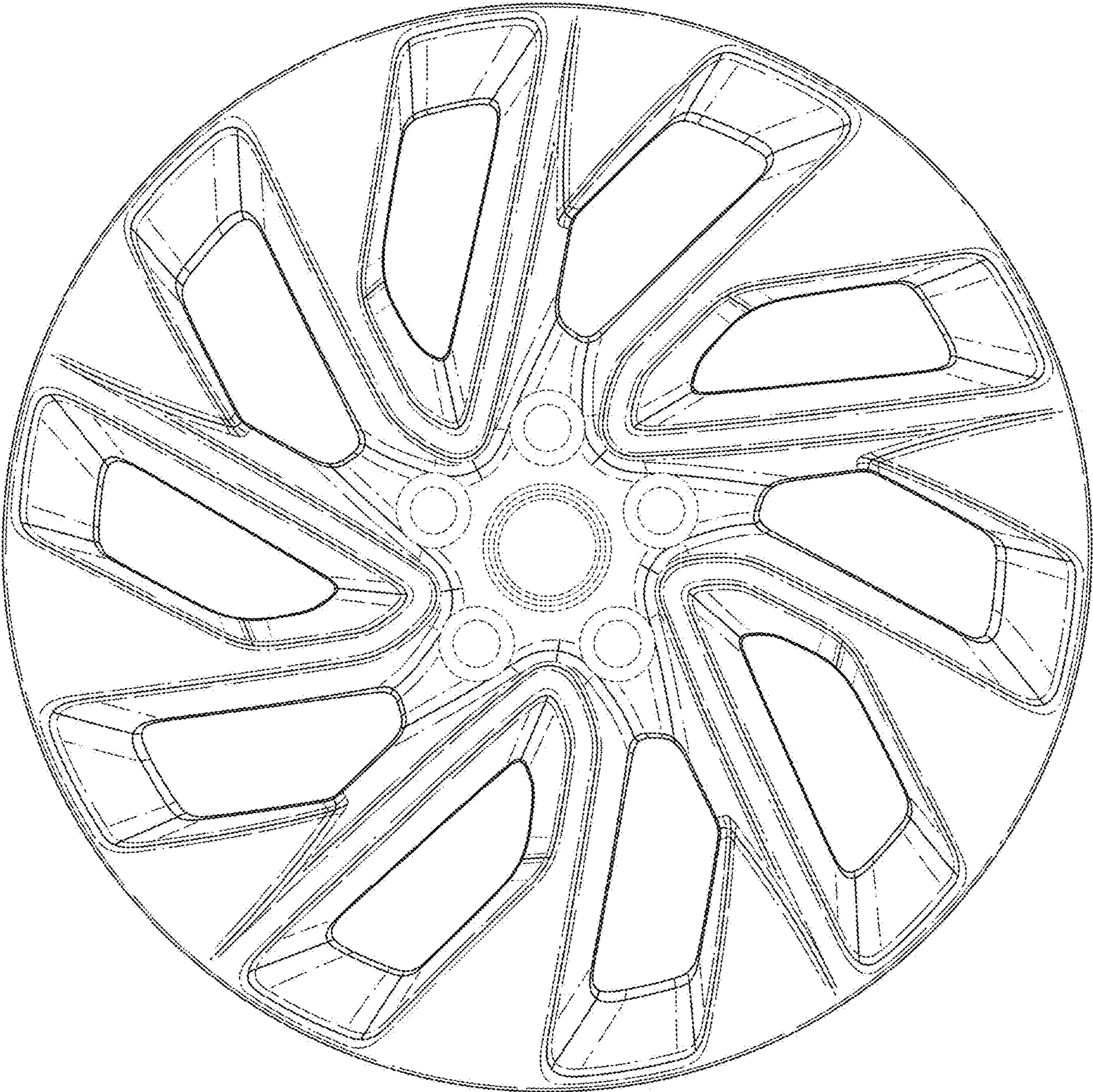


FIG. 3

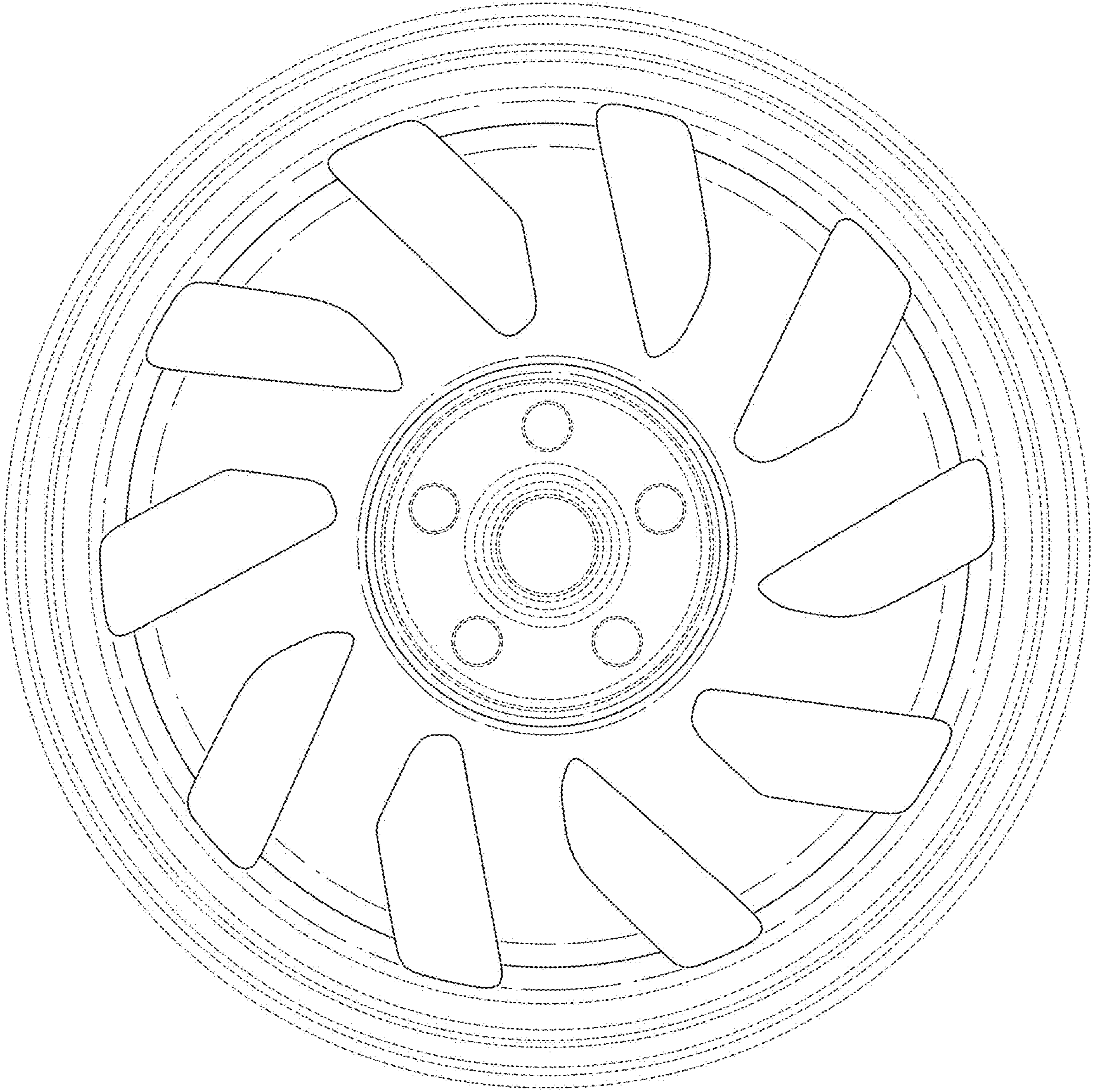


FIG. 4

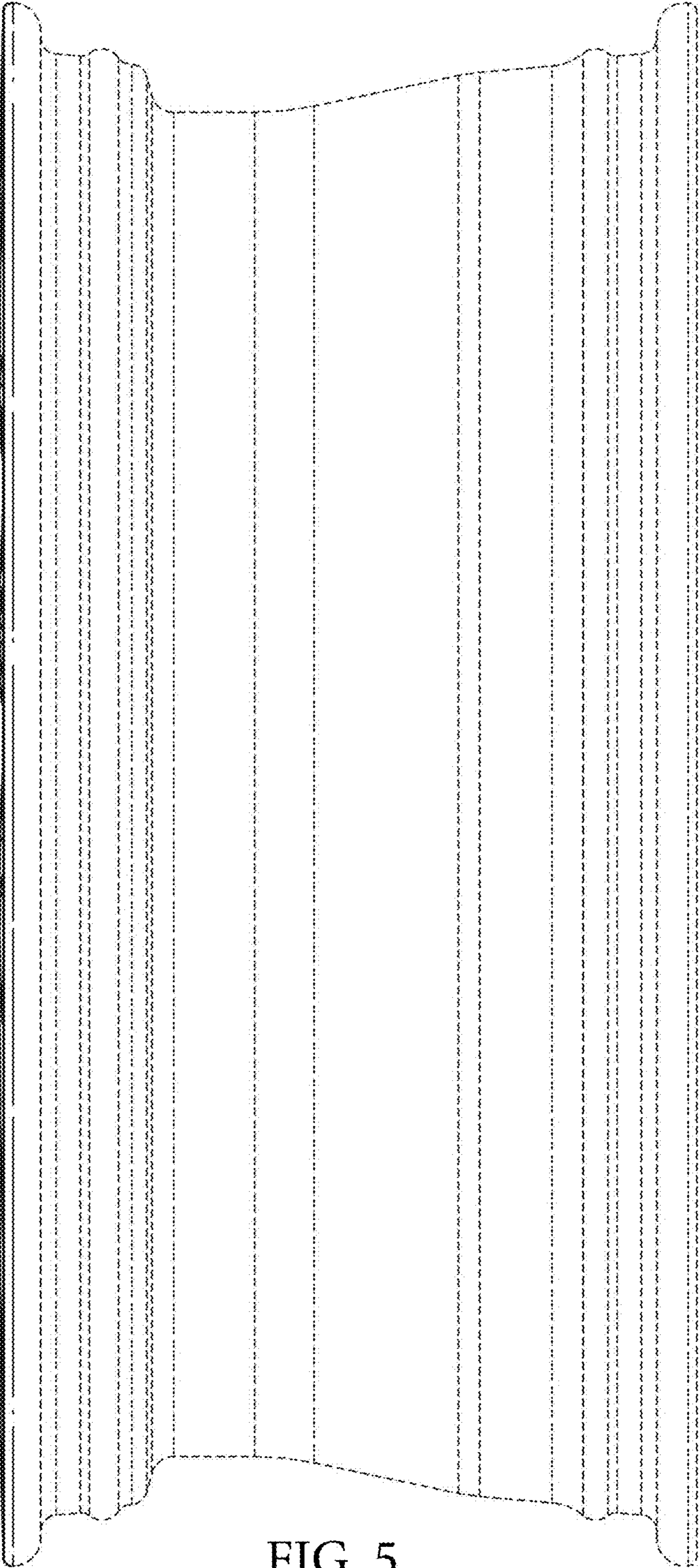


FIG. 5

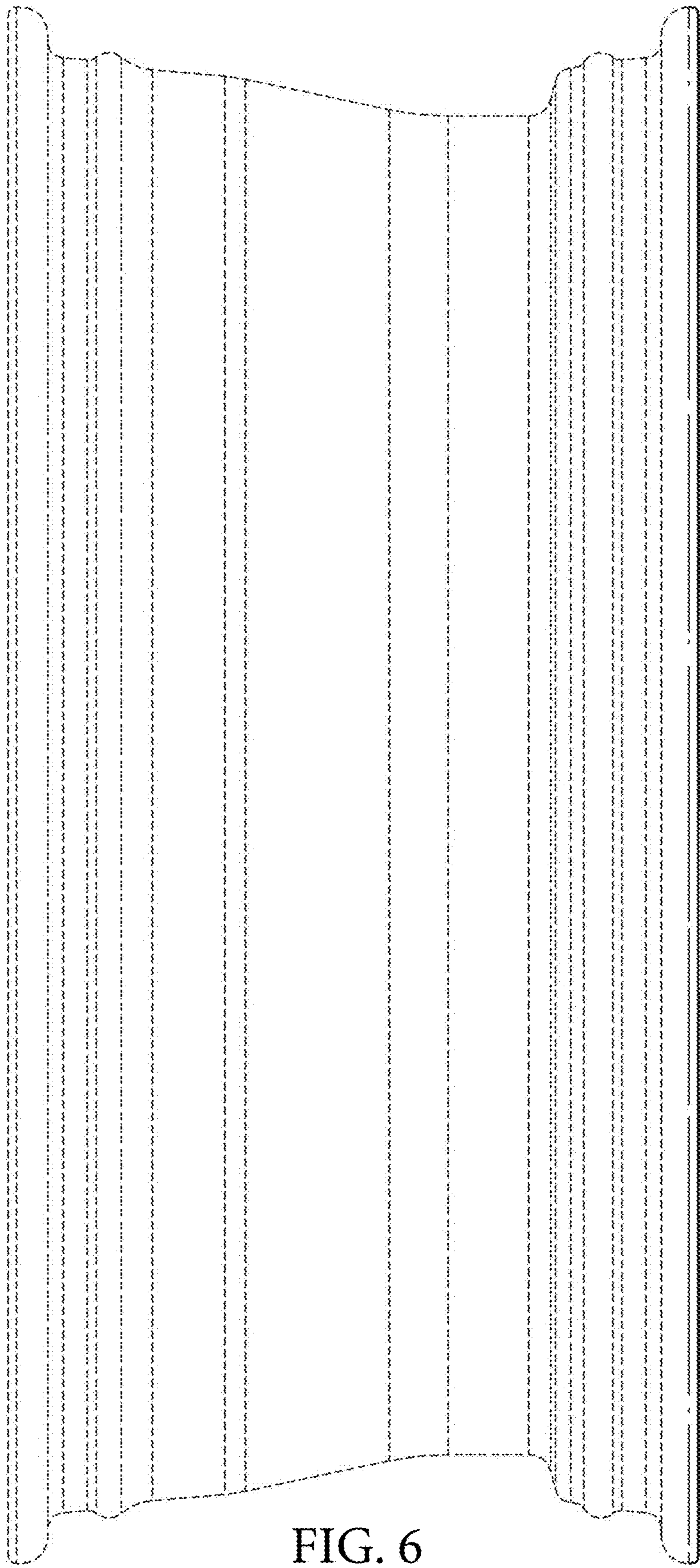


FIG. 6

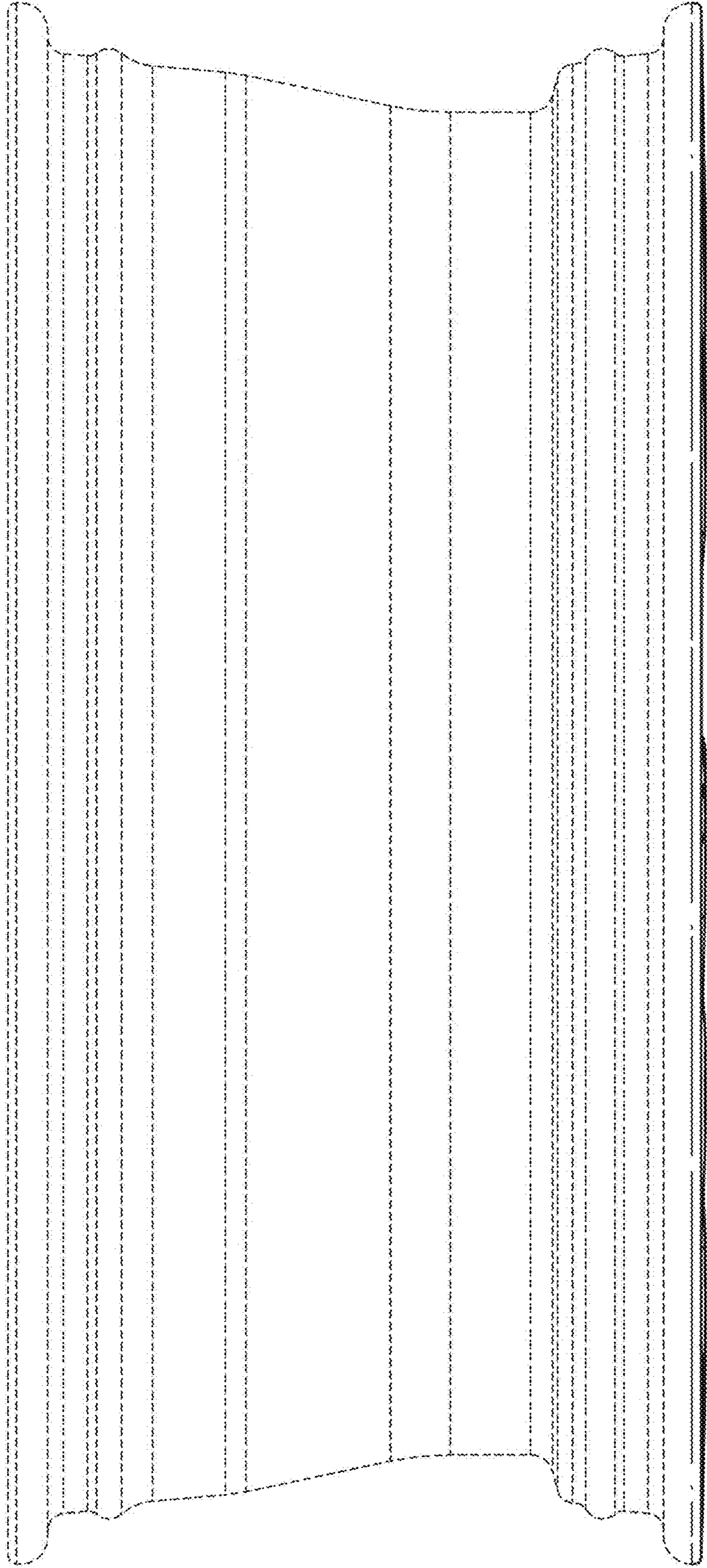


FIG. 7

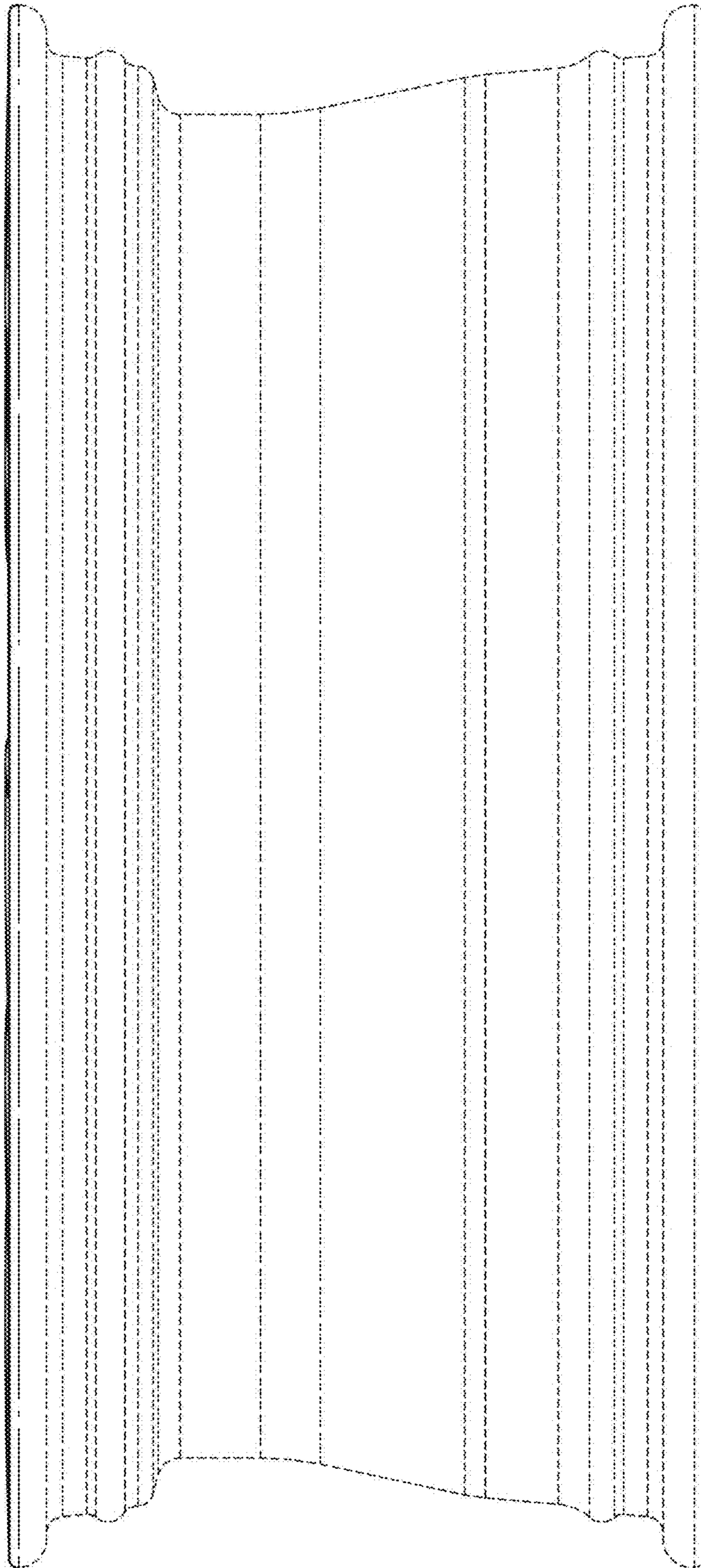


FIG. 8