



US00D968300S

(12) **United States Design Patent**  
**Hoover**

(10) **Patent No.:** **US D968,300 S**

(45) **Date of Patent:** **\*\* Nov. 1, 2022**

(54) **WHEEL ASSEMBLY**

(71) Applicant: **Matthew Brett Hoover**, Greenbrae, CA (US)

(72) Inventor: **Matthew Brett Hoover**, Greenbrae, CA (US)

(\*\*) Term: **15 Years**

(21) Appl. No.: **29/727,958**

(22) Filed: **Mar. 14, 2020**

(51) **LOC (13) Cl.** ..... **12-16**

(52) **U.S. Cl.**  
USPC ..... **D12/209**

(58) **Field of Classification Search**  
USPC ..... D12/204-213; D21/563  
CPC .... B60B 7/00; B60B 7/02; B60B 7/04; B60B 7/01; B60B 7/06; B60B 3/02; B60B 3/04; B60B 3/06; B60B 3/10; B60B 1/00; B60B 1/08; B60B 1/10; B60B 1/12  
See application file for complete search history.

(56) **References Cited**

**U.S. PATENT DOCUMENTS**

D610,516 S *	2/2010	Dilber .....	D12/211
D727,825 S *	4/2015	Chung .....	D12/211
D732,452 S *	6/2015	Chung .....	D12/211
D751,481 S *	3/2016	Chung .....	D12/209
D754,050 S *	4/2016	Rueckheim .....	D12/211
D765,574 S *	9/2016	Hale, Jr. ....	D12/211
D766,155 S *	9/2016	Wheel .....	D12/211
D770,353 S *	11/2016	Hale, Jr. ....	D12/211

D781,204 S *	3/2017	Peat .....	D12/211
D784,235 S *	4/2017	Kim .....	D12/211
D833,941 S *	11/2018	Chung .....	D12/209
D929,293 S *	8/2021	Han .....	D12/209
D941,218 S *	1/2022	Badstübner .....	B60B 3/02 D12/209
D941,724 S *	1/2022	Sempek .....	D12/209
D944,705 S *	3/2022	Anscheidt .....	D12/209

\* cited by examiner

*Primary Examiner* — Calvin E Vansant

(74) *Attorney, Agent, or Firm* — Dunlap Bennett & Ludwig, PLLC

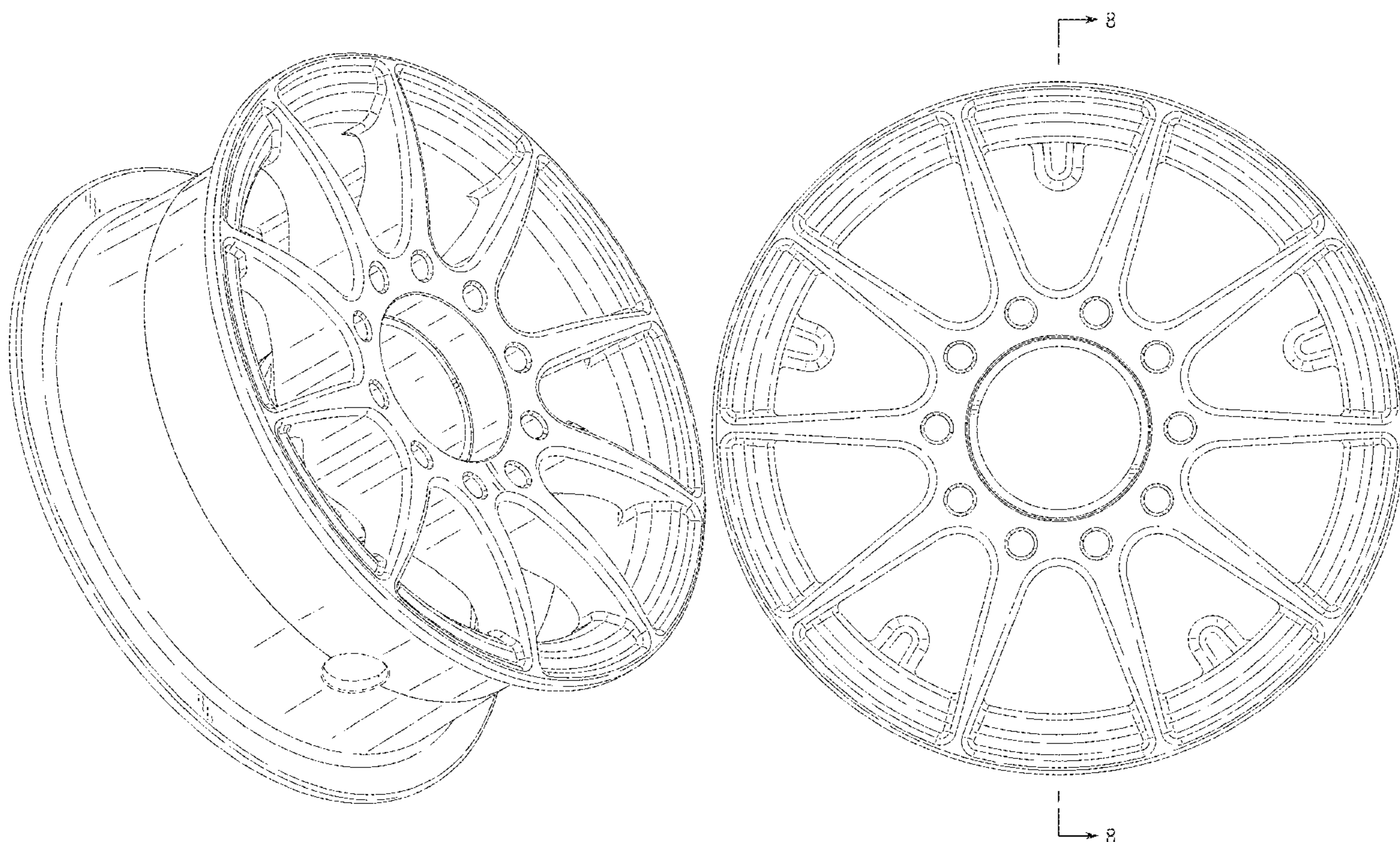
(57) **CLAIM**

The ornamental design for a wheel assembly, as shown and described.

**DESCRIPTION**

FIG. 1 is a front perspective view of the wheel assembly showing my new design;  
 FIG. 2 is a front elevation view thereof;  
 FIG. 3 is a rear elevation view thereof;  
 FIG. 4 is a left side elevation view thereof, the right side elevation view being a mirror image thereof;  
 FIG. 5 is a top plan view thereof;  
 FIG. 6 is a bottom plan view thereof;  
 FIG. 7 is a clam shell exploded perspective view thereof; and,  
 FIG. 8 is a cross-section view taken on line 8-8 of FIG. 2. The broken lines shown in the drawings illustrate portions of the wheel assembly that form no part of the claimed design.

**1 Claim, 7 Drawing Sheets**



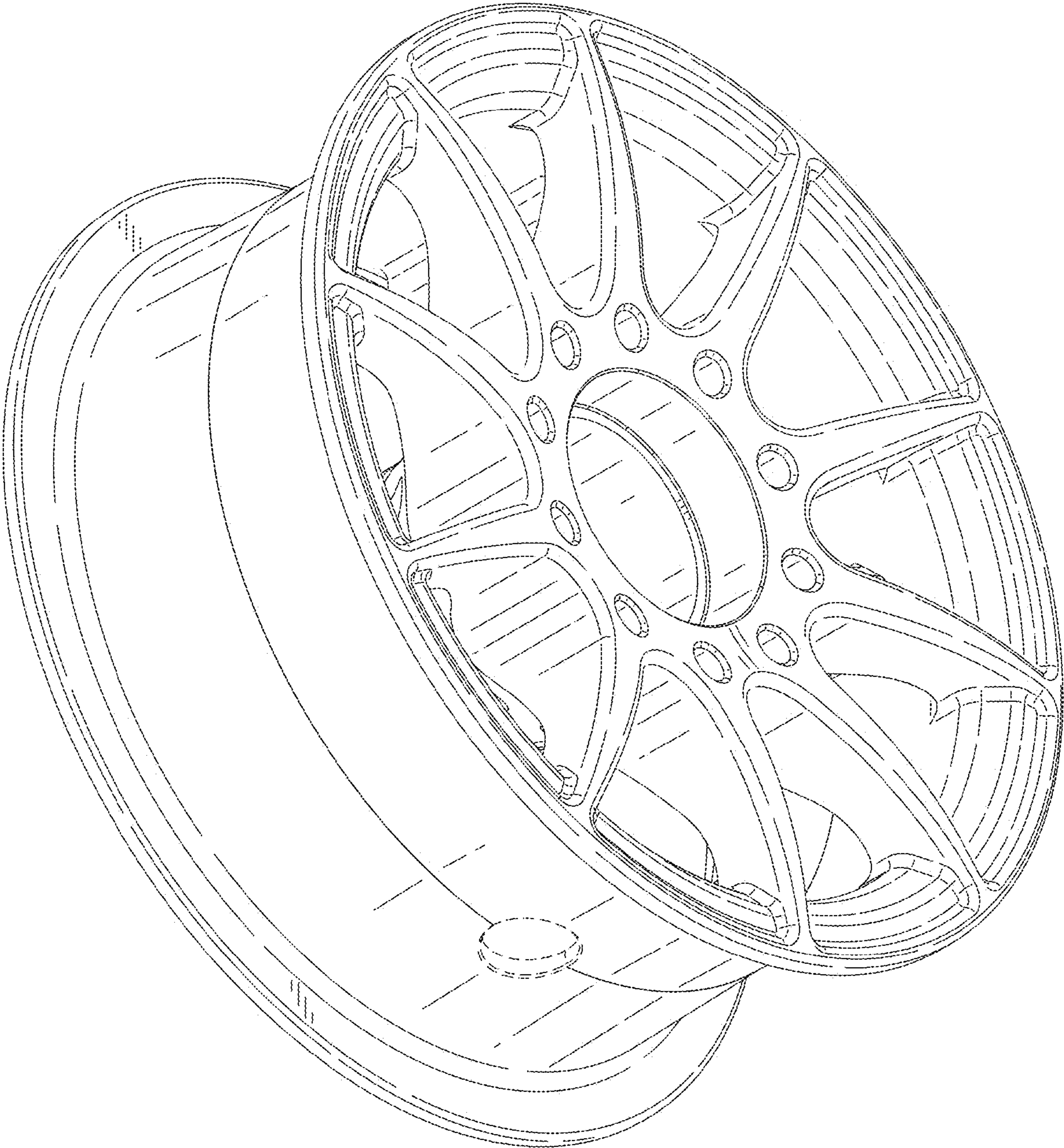


FIG. 1



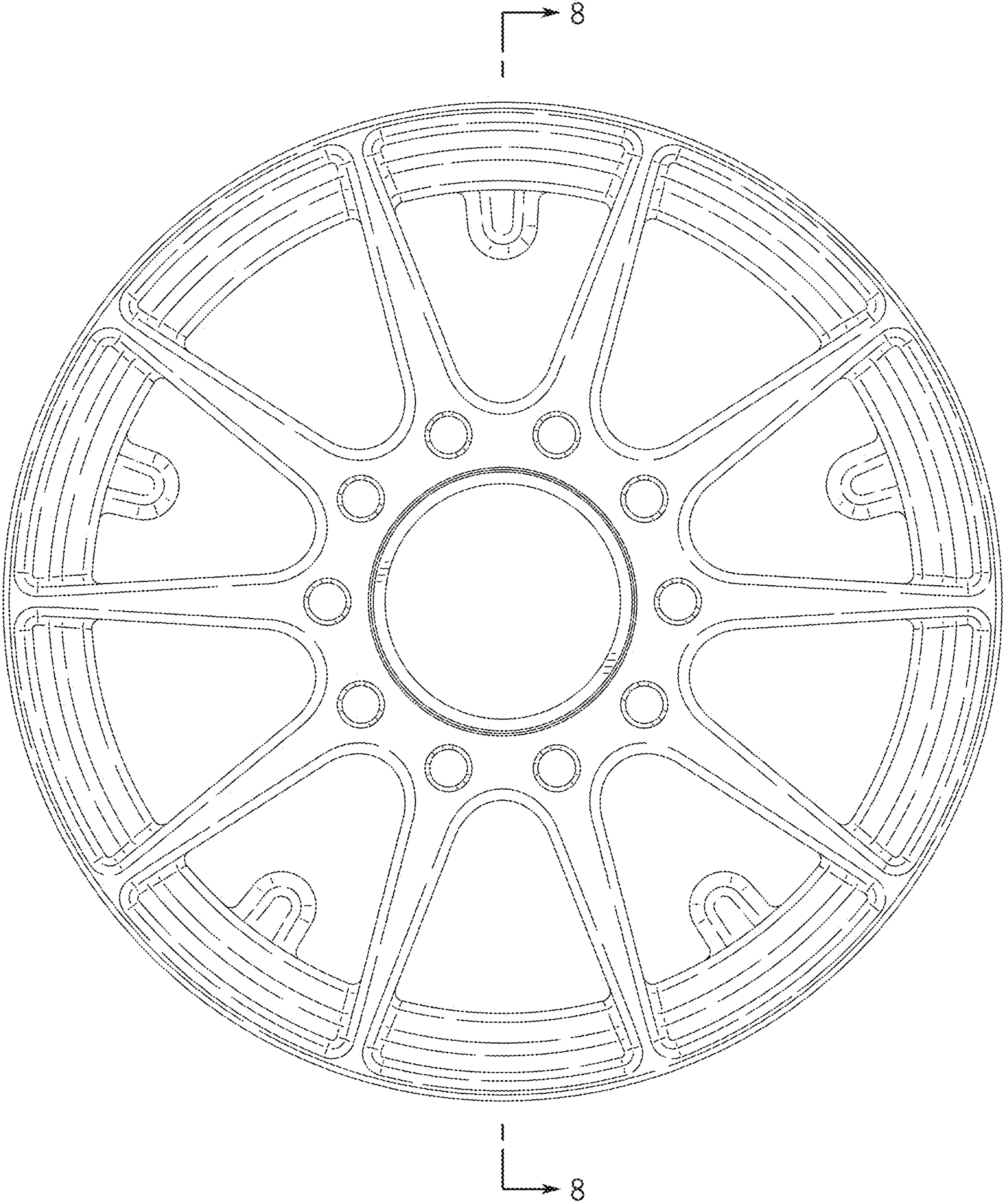


FIG. 2

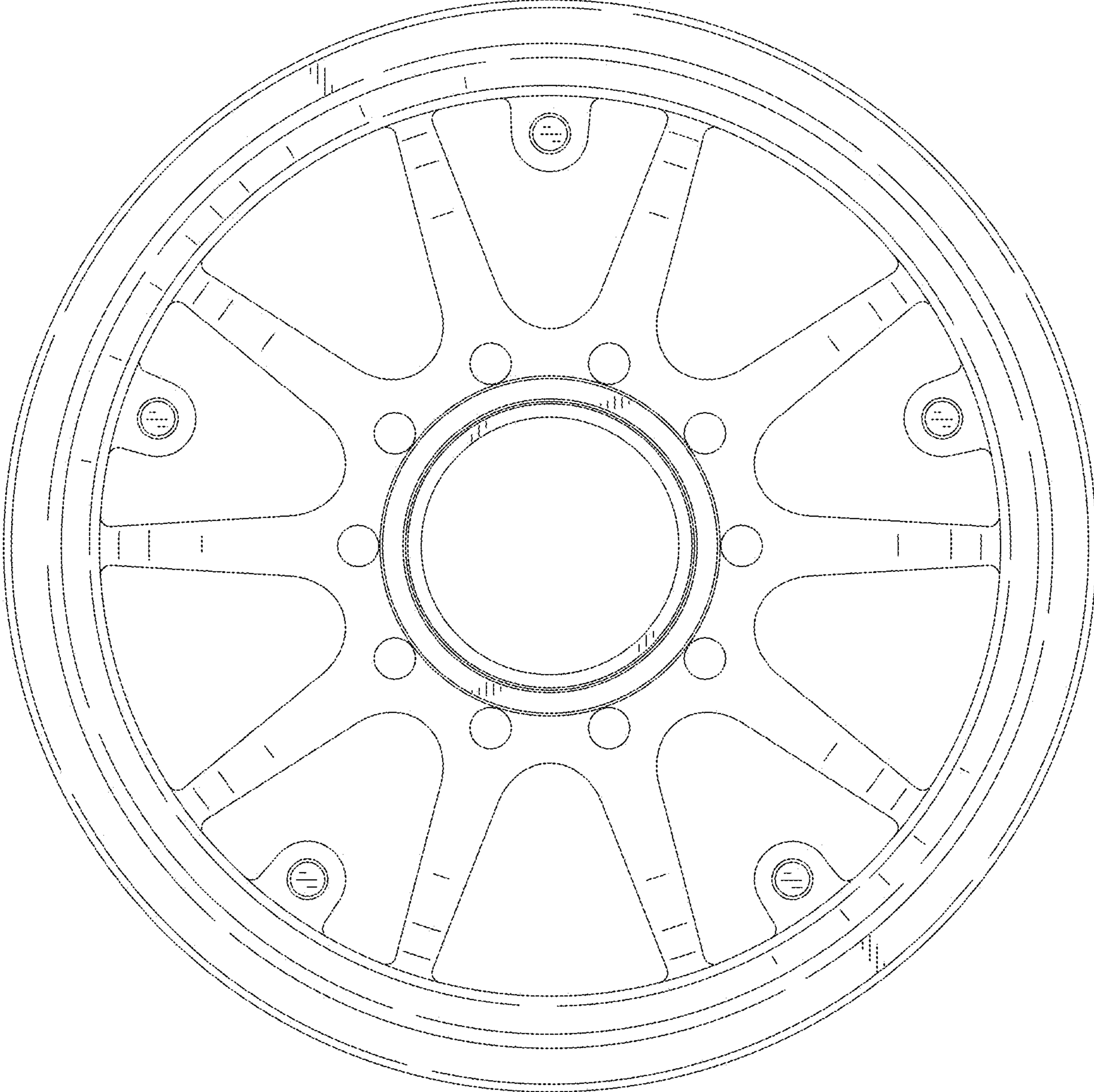


FIG. 3

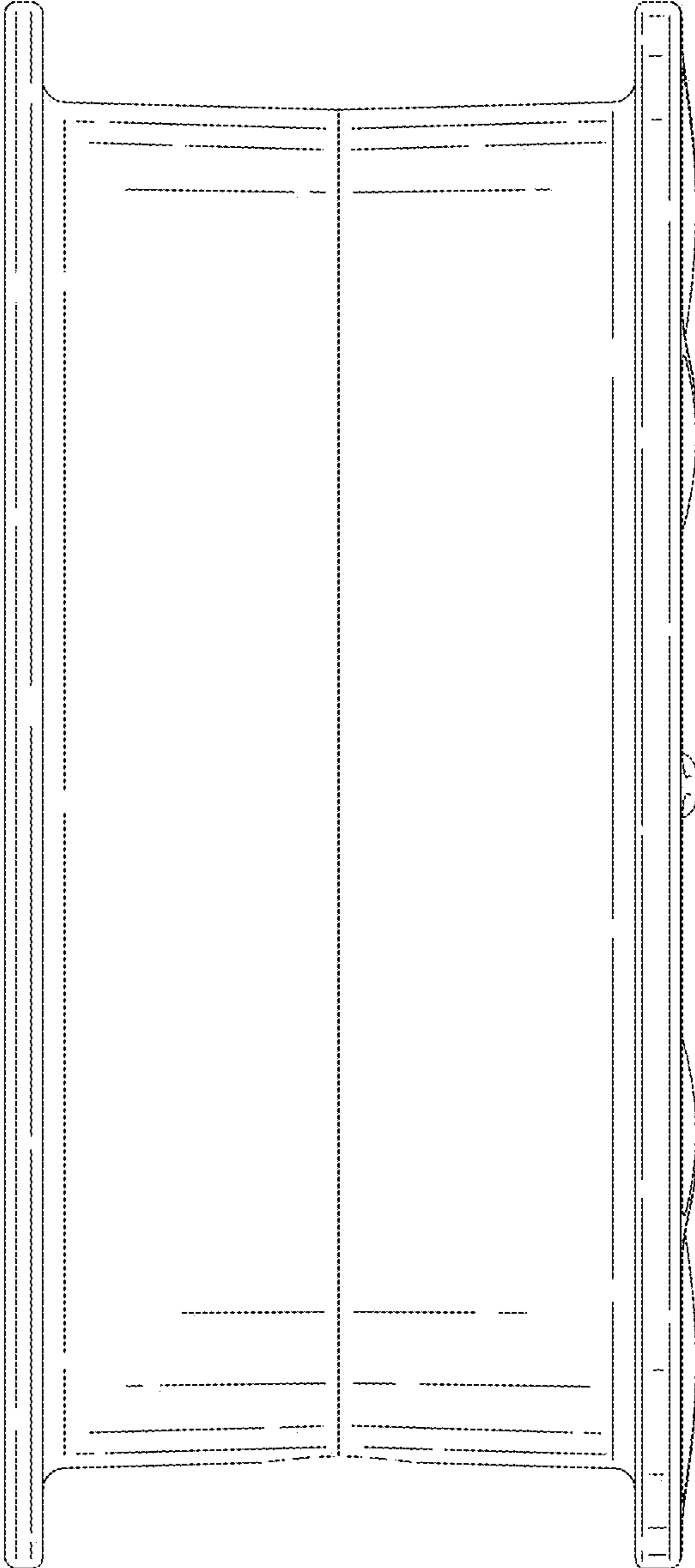


FIG. 4

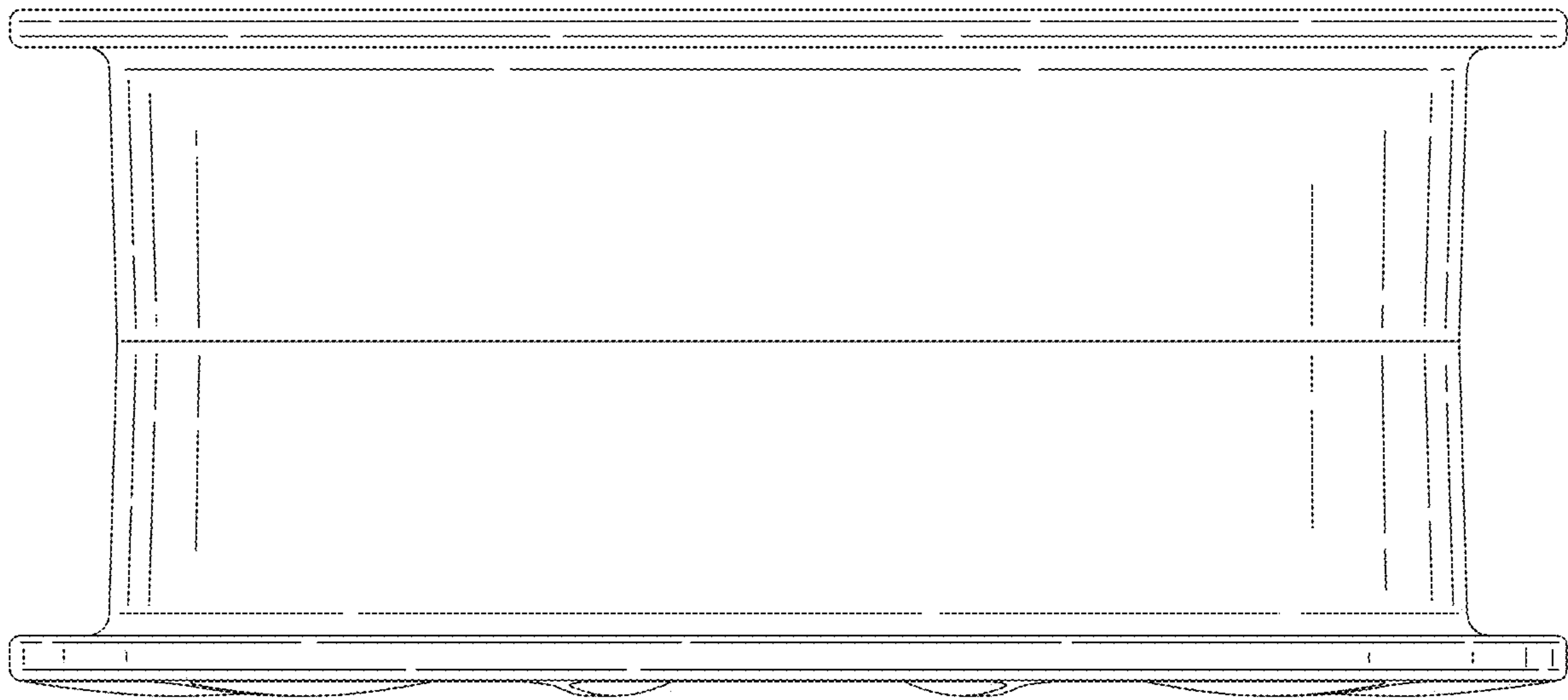


FIG. 5

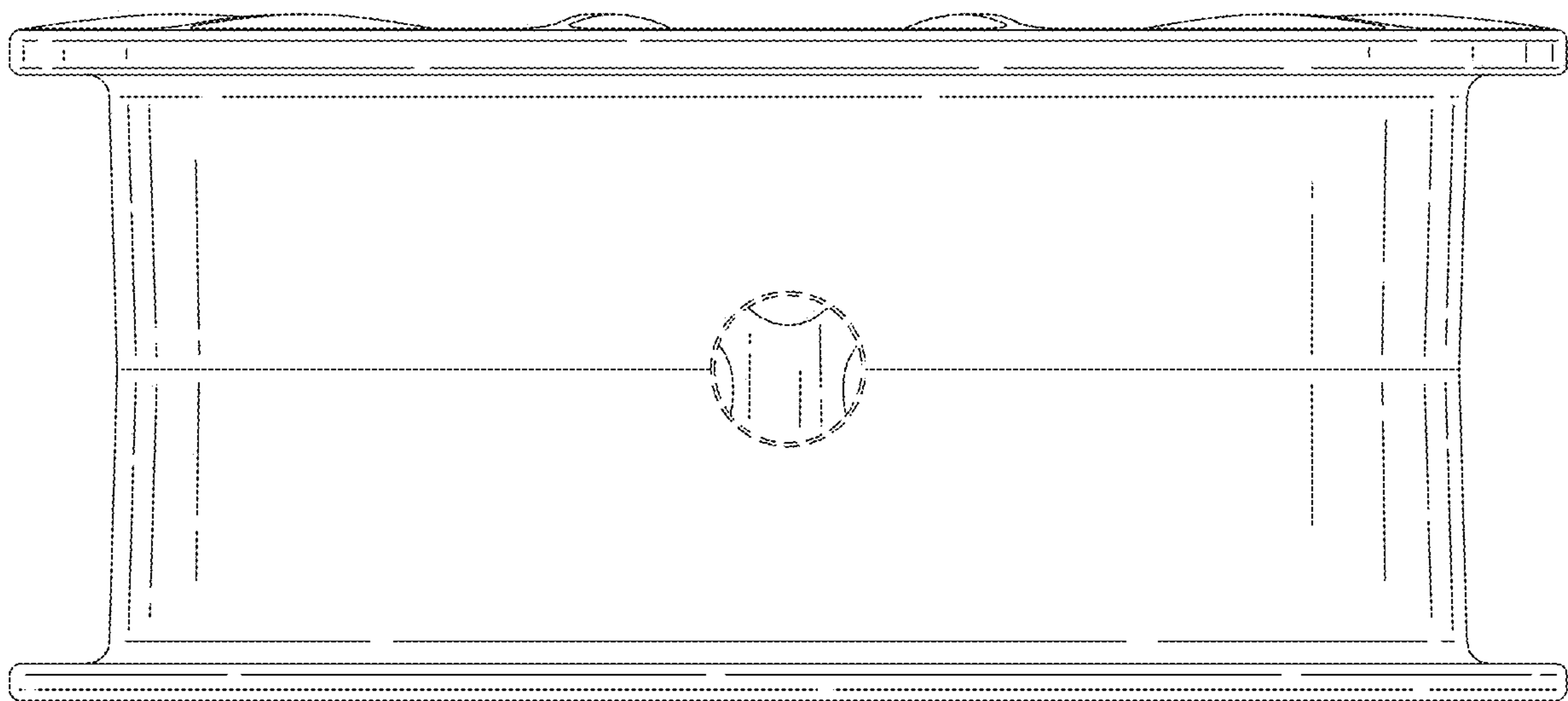


FIG. 6



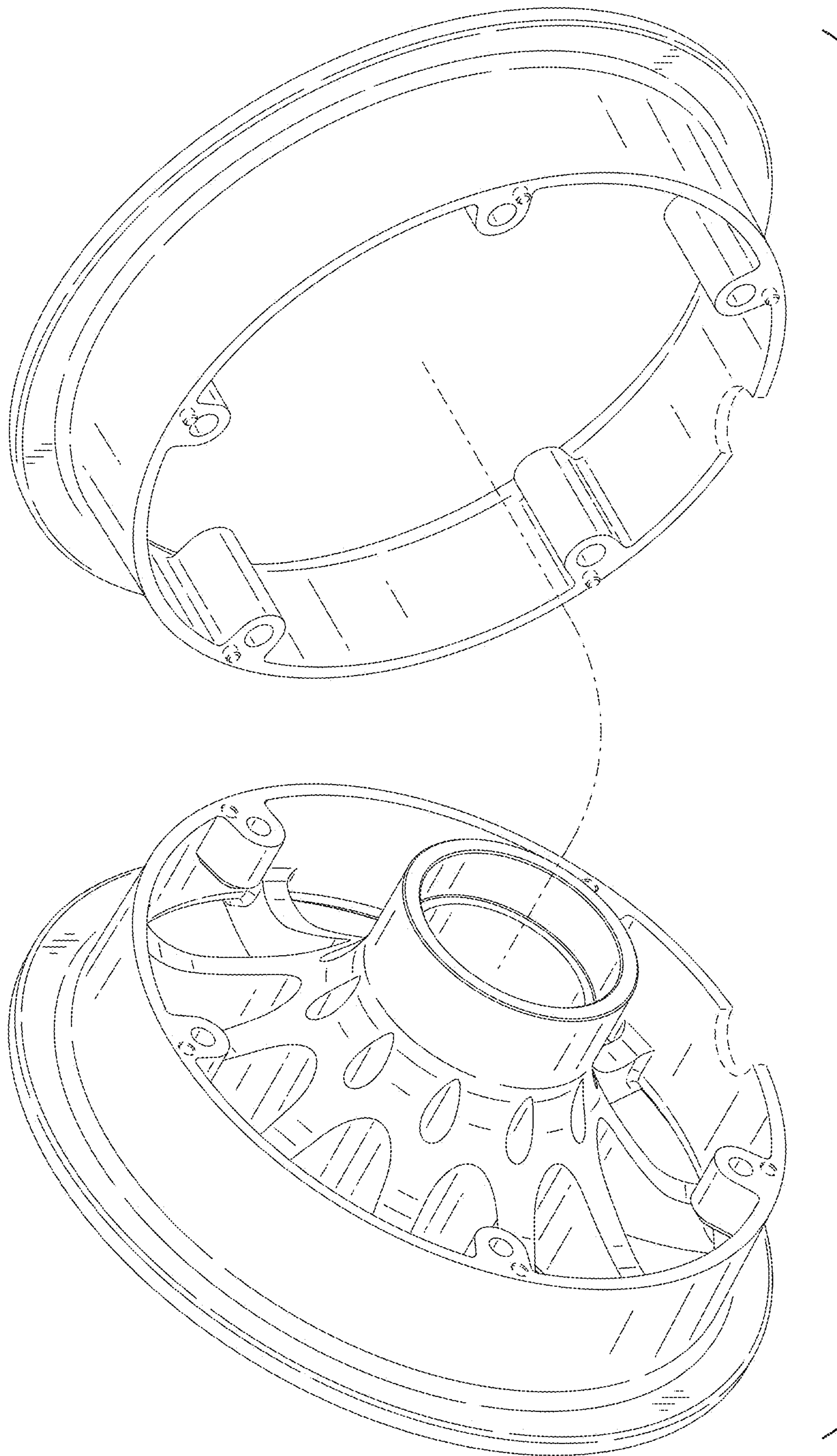


FIG. 7

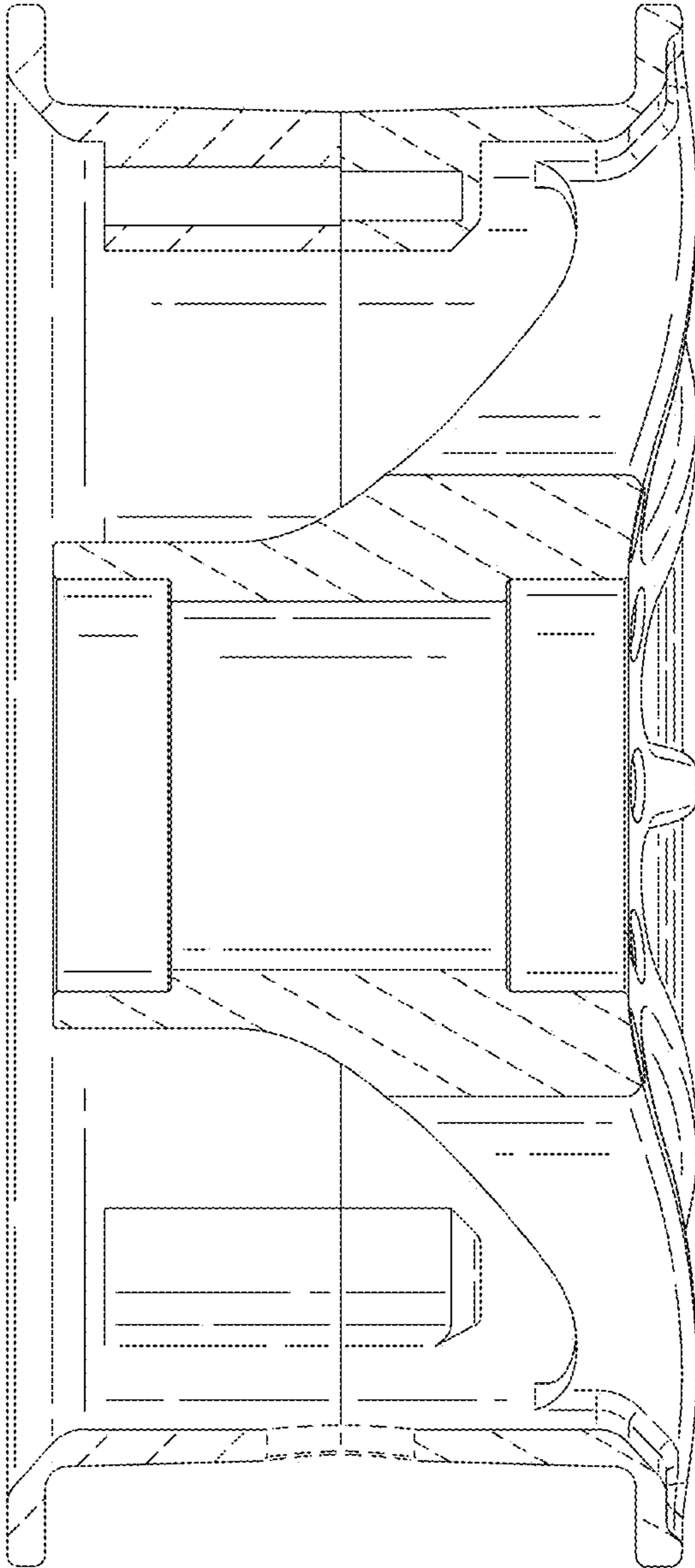


FIG. 8