

US00D968293S

(12) **United States Design Patent**
Bruno et al.

(10) **Patent No.: US D968,293 S**

(45) **Date of Patent: ** Nov. 1, 2022**

(54) **VEHICLE INTERIOR**

(71) Applicants: **IVECO S.p.A.**, Turin (IT); **NIKOLA CORPORATION**, Phoenix, AZ (US)

(72) Inventors: **Giuseppe Bruno**, Turin (IT); **Marco Armigliato**, Turin (IT); **David Melvin Wilkie**, Turin (IT); **Erik Tuft**, Mesa, AZ (US)

(73) Assignees: **IVECO S.p.A.**, Turin (IT); **NIKOLA CORPORATION**, Phoenix, AZ (US)

(**) Term: **15 Years**

(21) Appl. No.: **29/740,350**

(22) Filed: **Jul. 2, 2020**

(51) **LOC (13) Cl.** **12-16**

(52) **U.S. Cl.**
USPC **D12/192**

(58) **Field of Classification Search**
USPC D12/86, 90-92, 114, 163, 167, 169-170,
D12/174, 175, 192, 196, 216, 345, 415;
D14/126-129, 133, 373, 374, 388, 389;
D15/17, 28, 14, 15, 22-26, 31, 33
CPC B60R 7/04; B60R 7/06; B60R 7/08; B60K
37/00; B60K 37/02; B60K 37/04; B60K
37/06

See application file for complete search history.

(56) **References Cited**

U.S. PATENT DOCUMENTS

D608,265 S * 1/2010 Collins D12/192
D632,623 S * 2/2011 Nishimura D12/192

D652,773 S * 1/2012 Kitajima D12/192
D654,837 S * 2/2012 Riggs D12/192
D718,200 S * 11/2014 Arnaout D12/192
D744,008 S * 11/2015 Hanson D15/28
D778,797 S * 2/2017 Ito D12/192
D791,663 S * 7/2017 Gonzalez D12/192
D812,538 S * 3/2018 Lokers D12/195
D842,785 S * 3/2019 Balicki D12/195
D871,290 S * 12/2019 Kasparian D12/195

* cited by examiner

Primary Examiner — Susan E Krakower

Assistant Examiner — Jerry Shiuan-Hua Hsu

(74) *Attorney, Agent, or Firm* — Nixon Peabody LLP

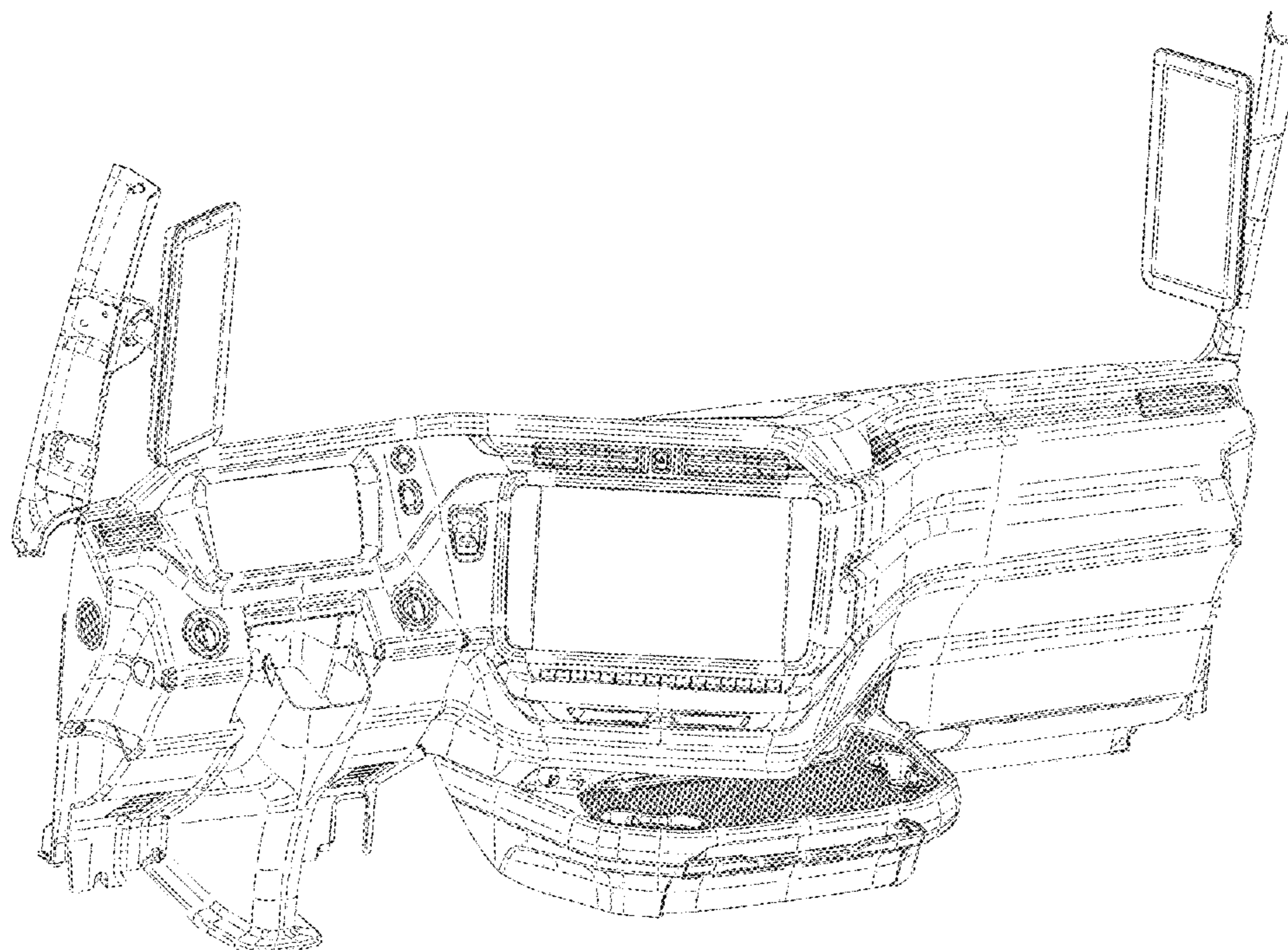
(57) **CLAIM**

The ornamental design for a vehicle interior, as shown and described.

DESCRIPTION

FIG. 1 is a perspective view of a vehicle interior, showing our new design;
FIG. 2 is a front elevation view thereof;
FIG. 3 is a rear elevation view thereof;
FIG. 4 is a right side elevation view thereof;
FIG. 5 is a left side elevation view thereof;
FIG. 6 is a top plan view thereof; and,
FIG. 7 is a bottom plan view thereof.
The broken lines illustrate portions of the vehicle interior that form no part of the claimed design.

1 Claim, 6 Drawing Sheets



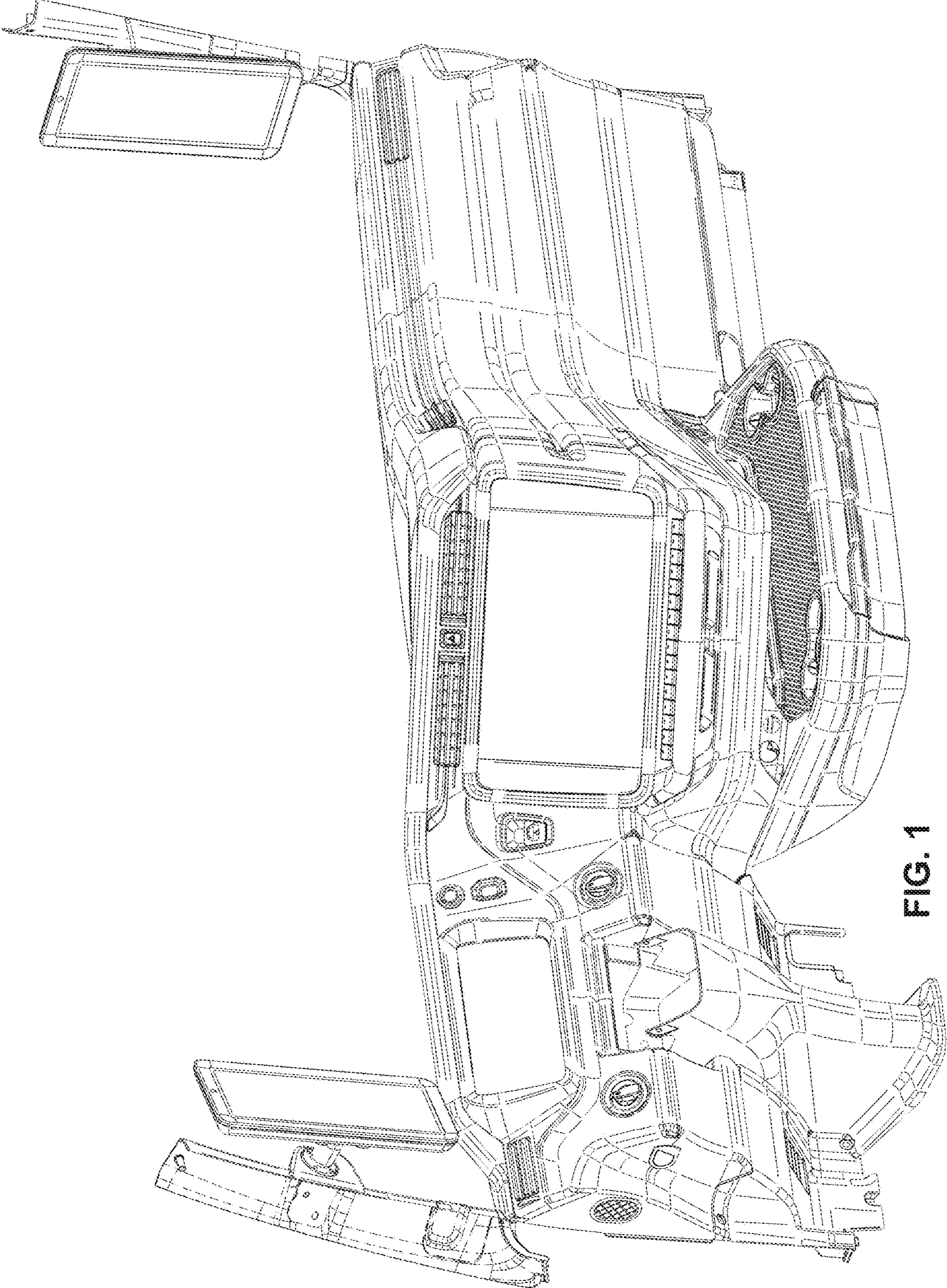


FIG. 1

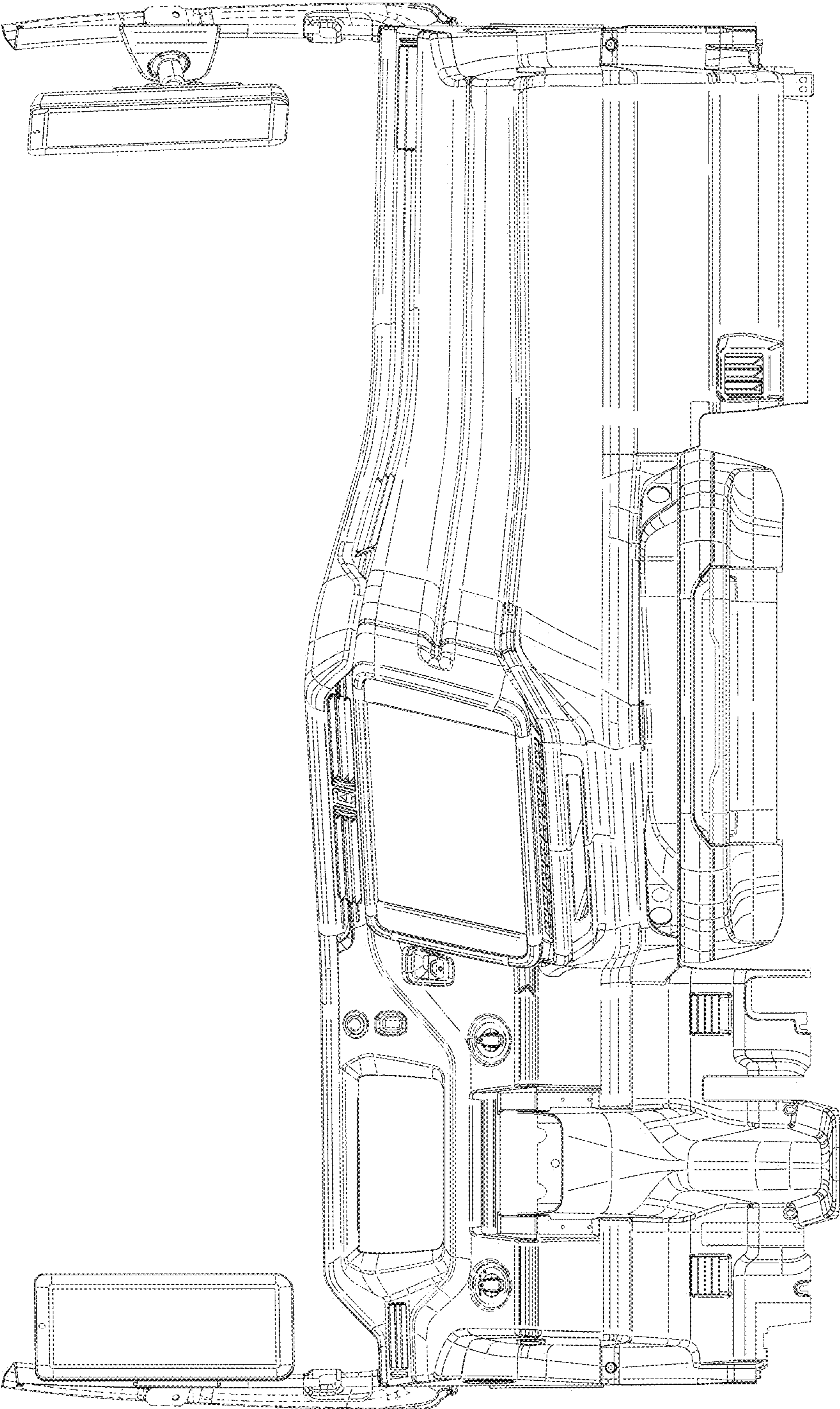


FIG. 2

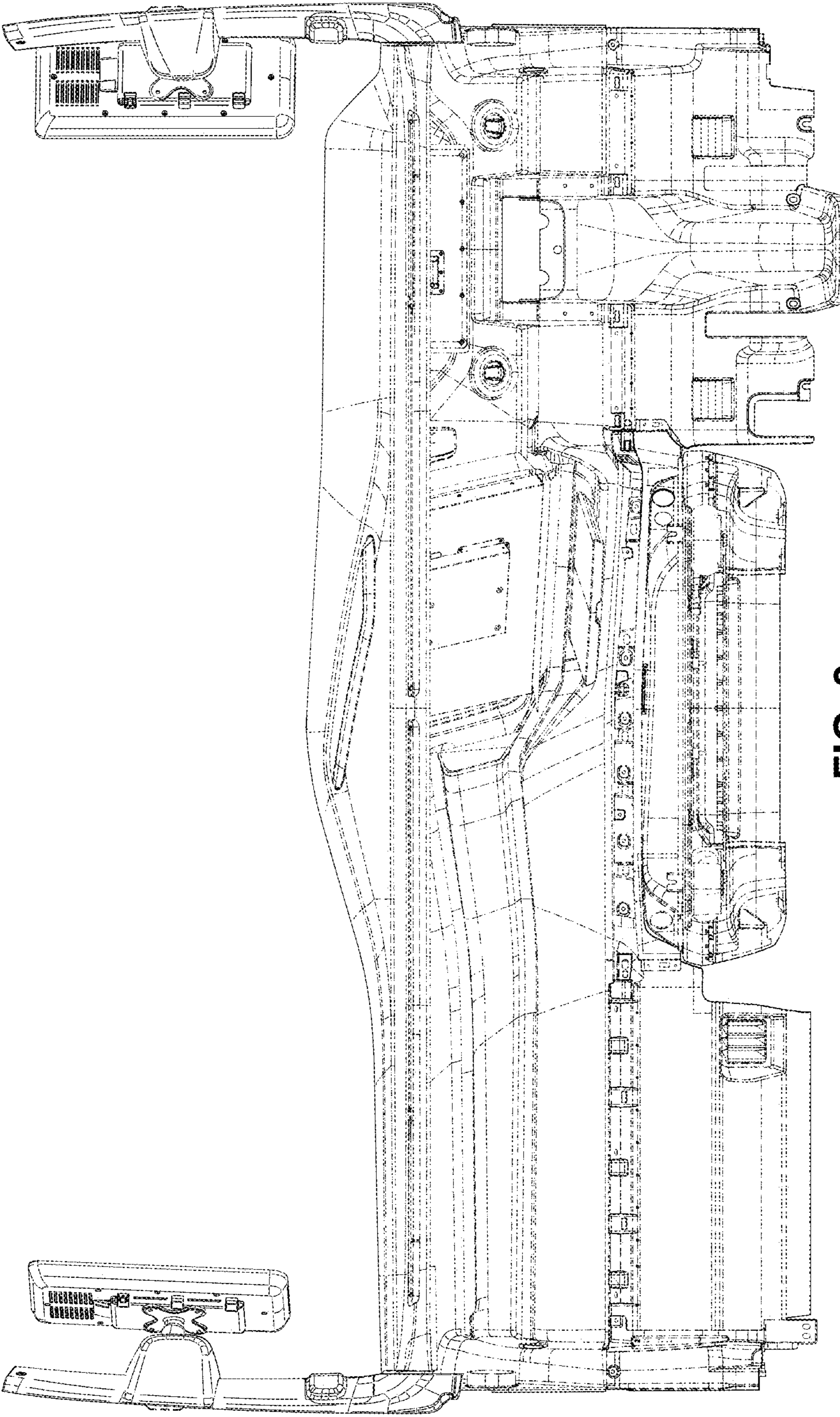


FIG. 3

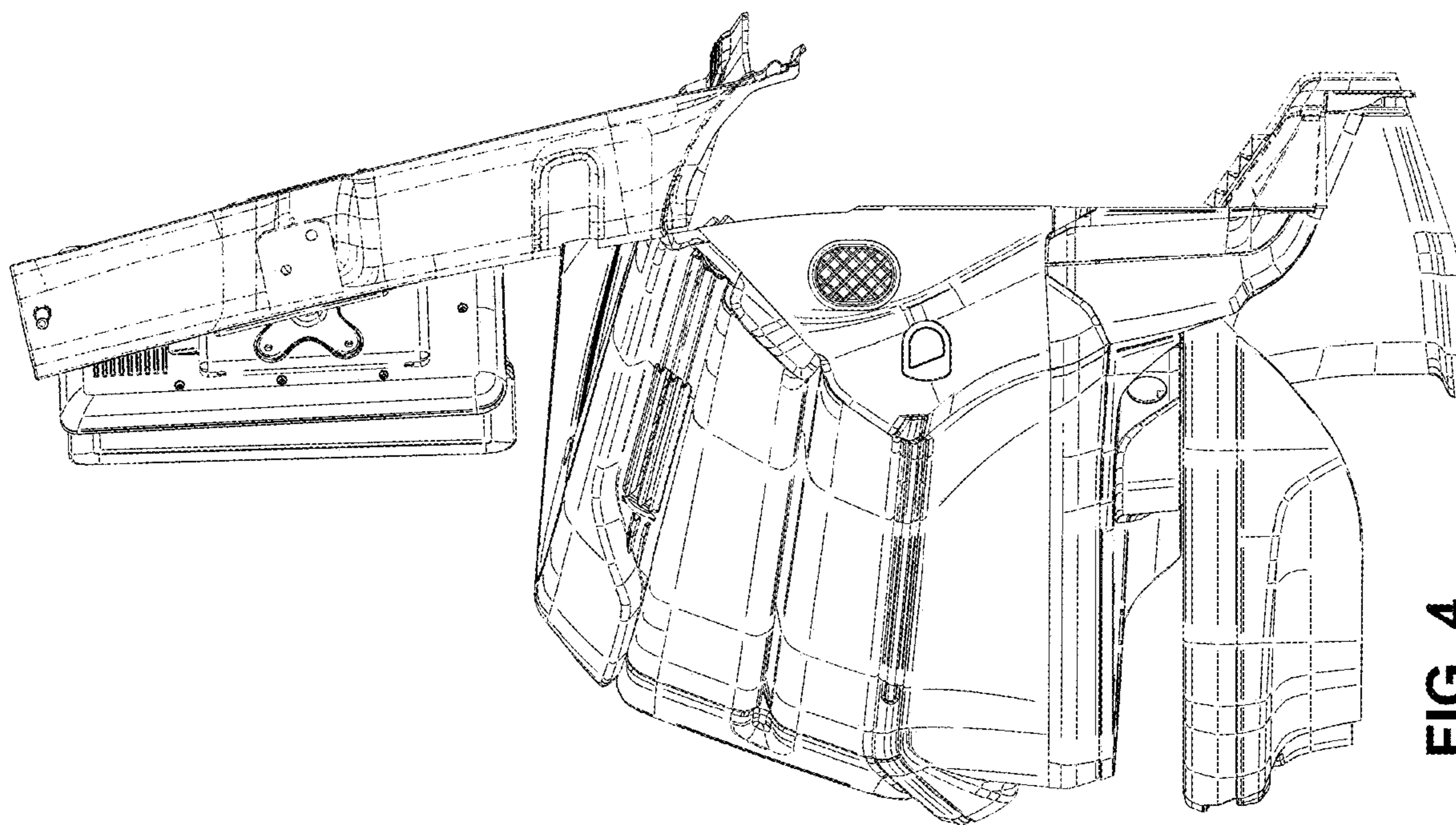


FIG. 4

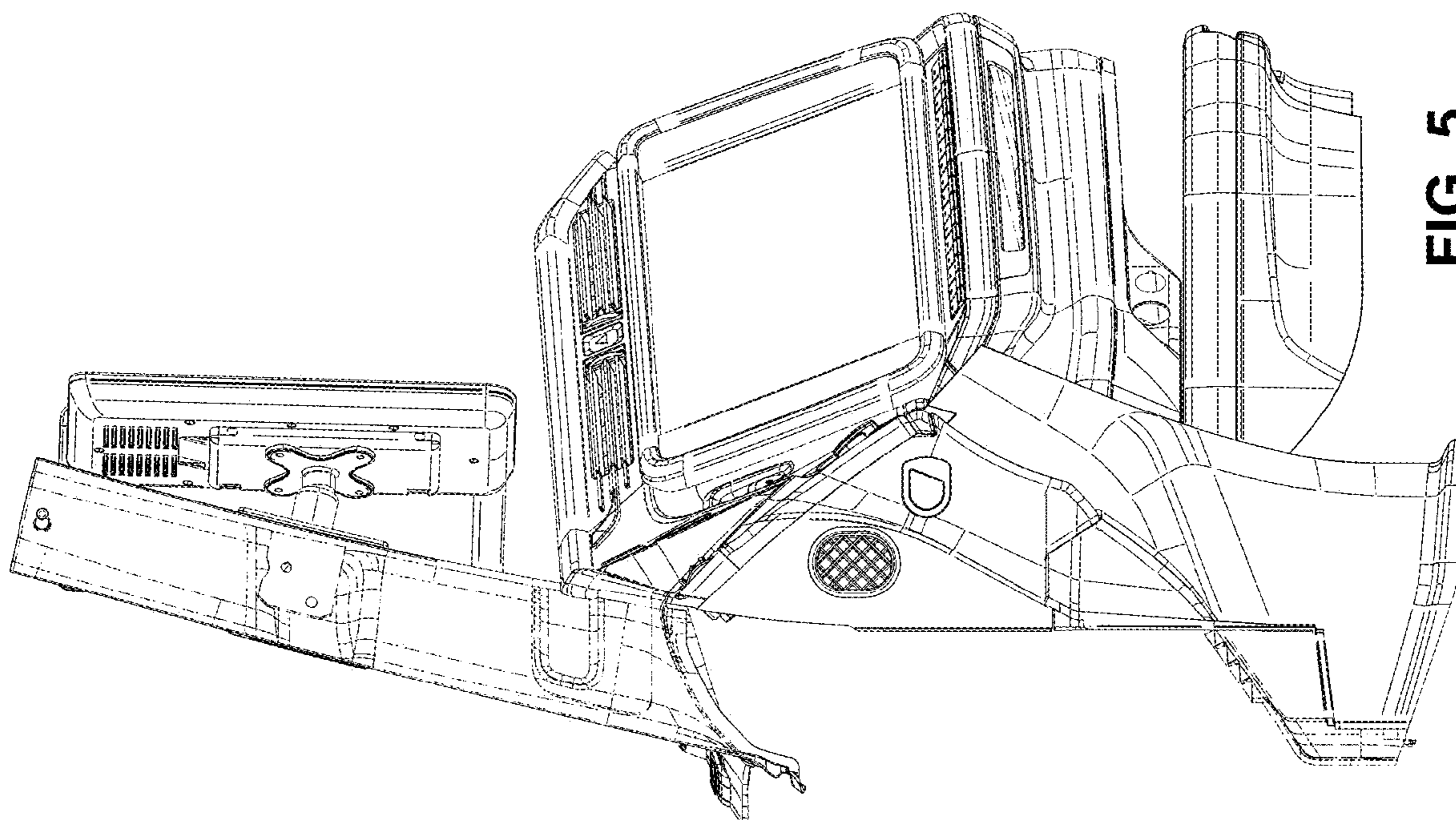


FIG. 5

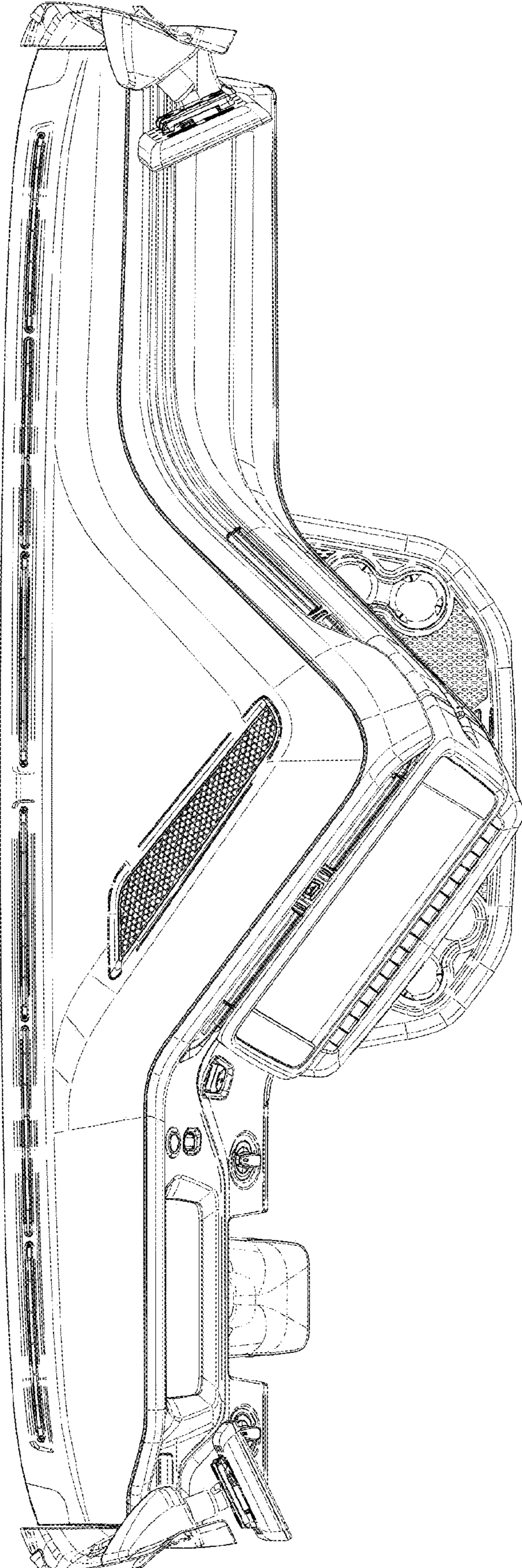


FIG. 6

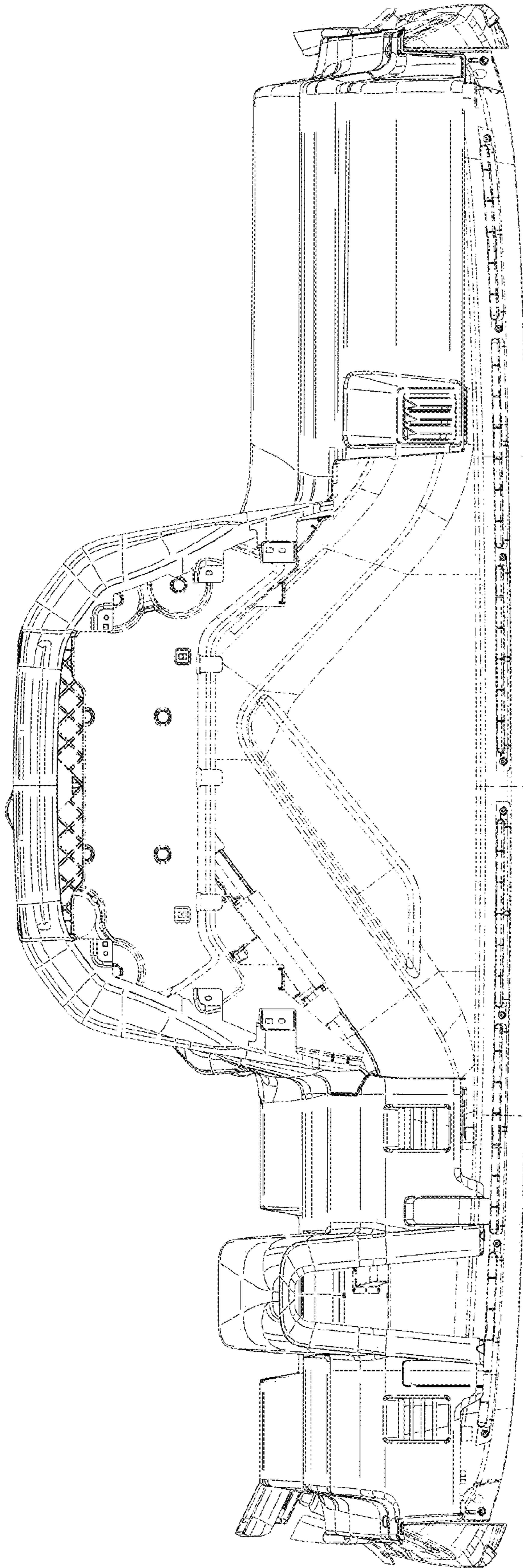


FIG. 7