



US00D968289S

(12) **United States Design Patent** (10) **Patent No.:** **US D968,289 S**
Li (45) **Date of Patent:** **** Nov. 1, 2022**

(54) **SIDE MIRROR FOR A VEHICLE**
(71) Applicant: **Bayerische Motoren Werke Aktiengesellschaft, Munich (DE)**
(72) Inventor: **Tianyuan Li, Munich (DE)**
(73) Assignee: **Bayerische Motoren Werke Aktiengesellschaft, Munich (DE)**

D862,332 S * 10/2019 Woodhouse D12/187
D882,471 S * 4/2020 Tovey D12/187
D883,879 S * 5/2020 Metros D12/187
D886,015 S * 6/2020 Kim D12/187
D902,813 S * 11/2020 Ruiz D12/187
D908,565 S * 1/2021 Choi D12/187
D908,566 S * 1/2021 Zhao D12/187
D911,894 S * 3/2021 Tonello D12/187

(Continued)

(**) Term: **15 Years**
(21) Appl. No.: **29/765,988**
(22) Filed: **Jan. 13, 2021**

FOREIGN PATENT DOCUMENTS

EM 000625850-0002 2/2007
EM 002016030-0002 4/2012

Primary Examiner — Susan E Krakower
Assistant Examiner — Jerry Shiuang-Hua Hsu
(74) *Attorney, Agent, or Firm* — Crowell & Moring LLP

(30) **Foreign Application Priority Data**

Jul. 21, 2020 (DE) 402020100678.5

(51) **LOC (13) Cl.** **12-16**
(52) **U.S. Cl.**
USPC **D12/187**

(58) **Field of Classification Search**
USPC D12/187, 188, 189; D6/300, 309; D26/28
CPC B60R 1/074; B60R 1/076; B60R 1/10; B60R 1/02; B60R 1/06; B60R 1/008; B60R 1/006; B60R 1/082; B60R 1/081; B60R 1/08; B60R 1/078
See application file for complete search history.

(57) **CLAIM**

The ornamental design for a side mirror for a vehicle, as shown and described.

DESCRIPTION

This application contains subject matter related to the following co-pending U.S. design patent application: Application Ser. No. 29/765,980, filed herewith and entitled "Vehicle, Toy, and/or Replicas Thereof". FIG. 1 is a front view of a side mirror for a vehicle according to the design; FIG. 2 is a right, front perspective view thereof; FIG. 3 is a right side view thereof; FIG. 4 is a rear view thereof; FIG. 5 is a left side view thereof; FIG. 6 is a left, bottom perspective view thereof; FIG. 7 is a top view thereof; and, FIG. 8 is a bottom view thereof.

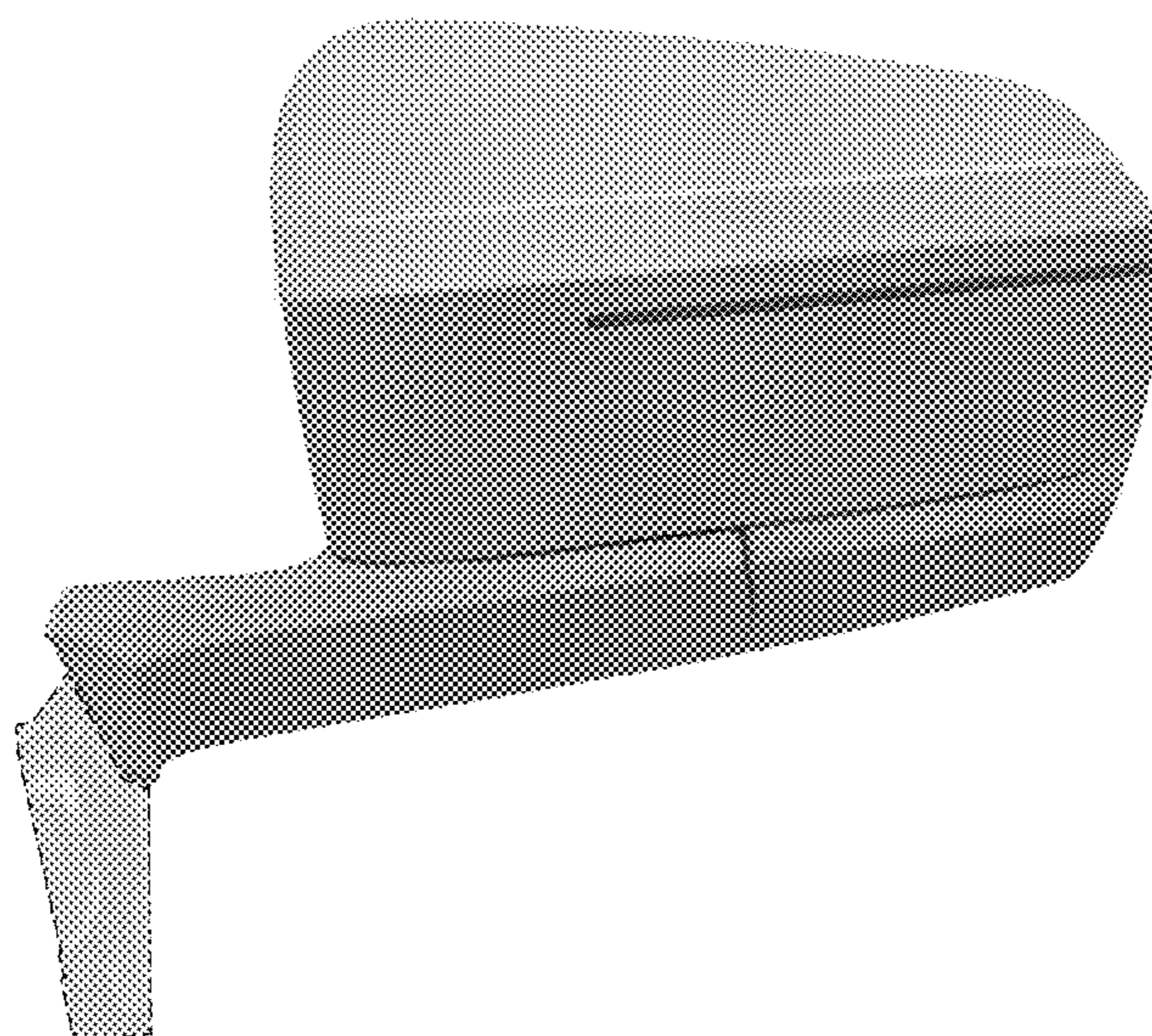
The broken lines in the drawings and the lightened areas within the broken lines illustrate portions of the side mirror for a vehicle which form no part of the claimed design.

1 Claim, 8 Drawing Sheets

(56) **References Cited**

U.S. PATENT DOCUMENTS

D551,143 S 9/2007 Leclercq
D661,634 S * 6/2012 Huet D12/187
D761,173 S 7/2016 Faghihzadeh
D818,407 S * 5/2018 Lee D12/187
D818,915 S * 5/2018 Kozub D12/187
D832,167 S * 10/2018 Loeb D12/187
D837,705 S * 1/2019 Bucher D12/187
D855,523 S * 8/2019 Perkins D12/187
D855,524 S * 8/2019 Lee D12/187



(56)

References Cited

U.S. PATENT DOCUMENTS

D920,868 S * 6/2021 Piaskowski D12/187
D932,403 S * 10/2021 Jenkins D12/187
D932,966 S * 10/2021 Tonello D12/187

* cited by examiner

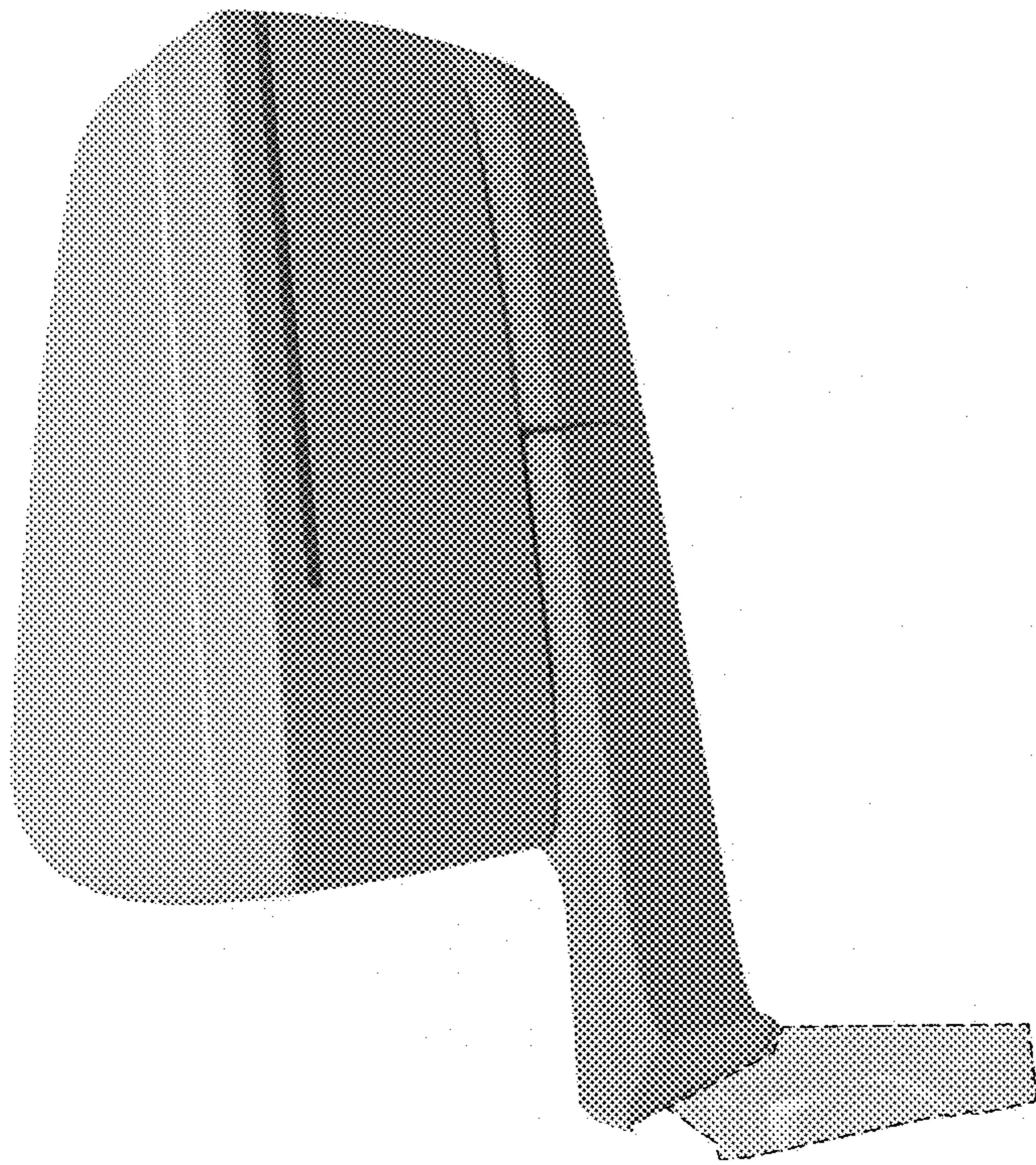


FIG. 1

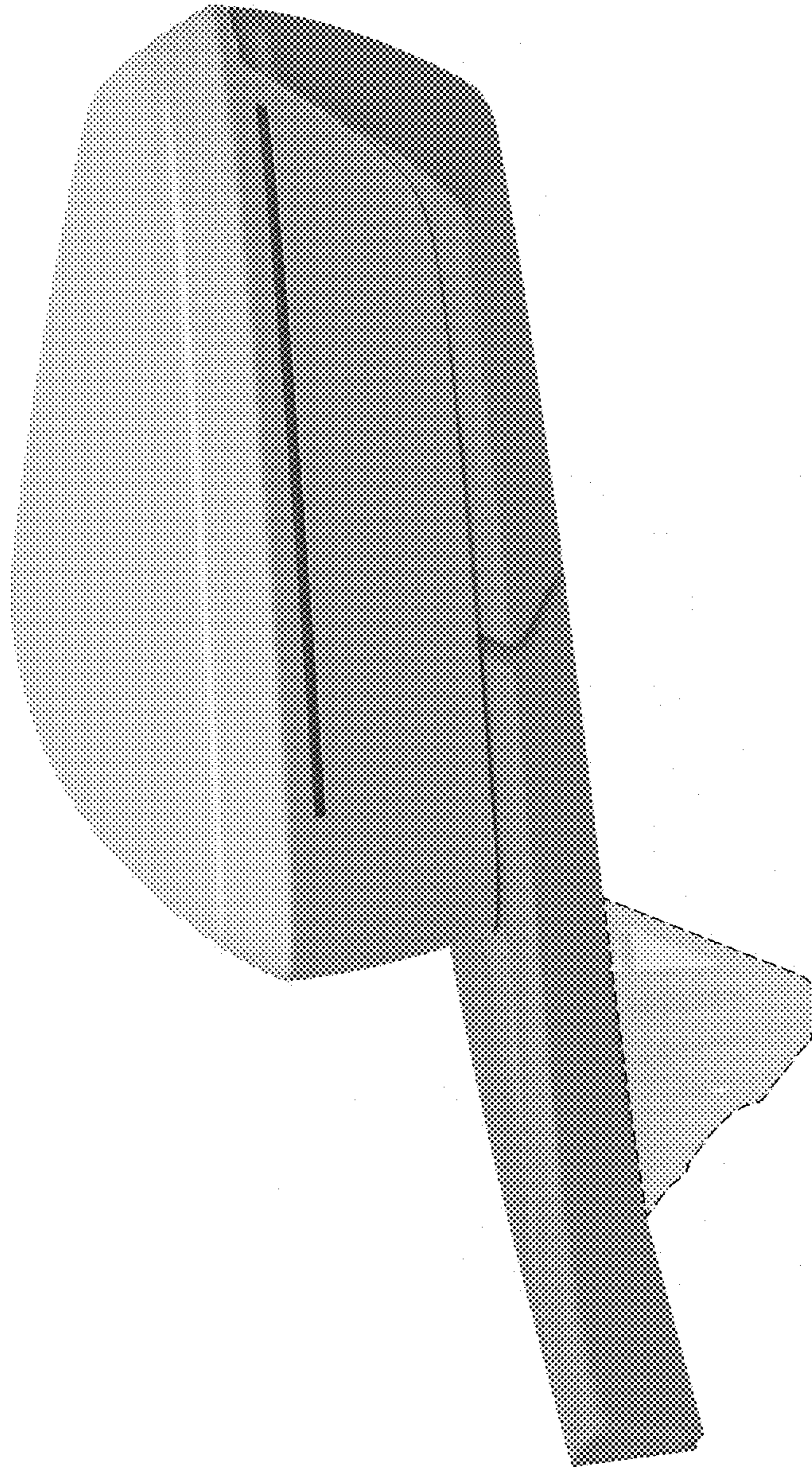


FIG. 2

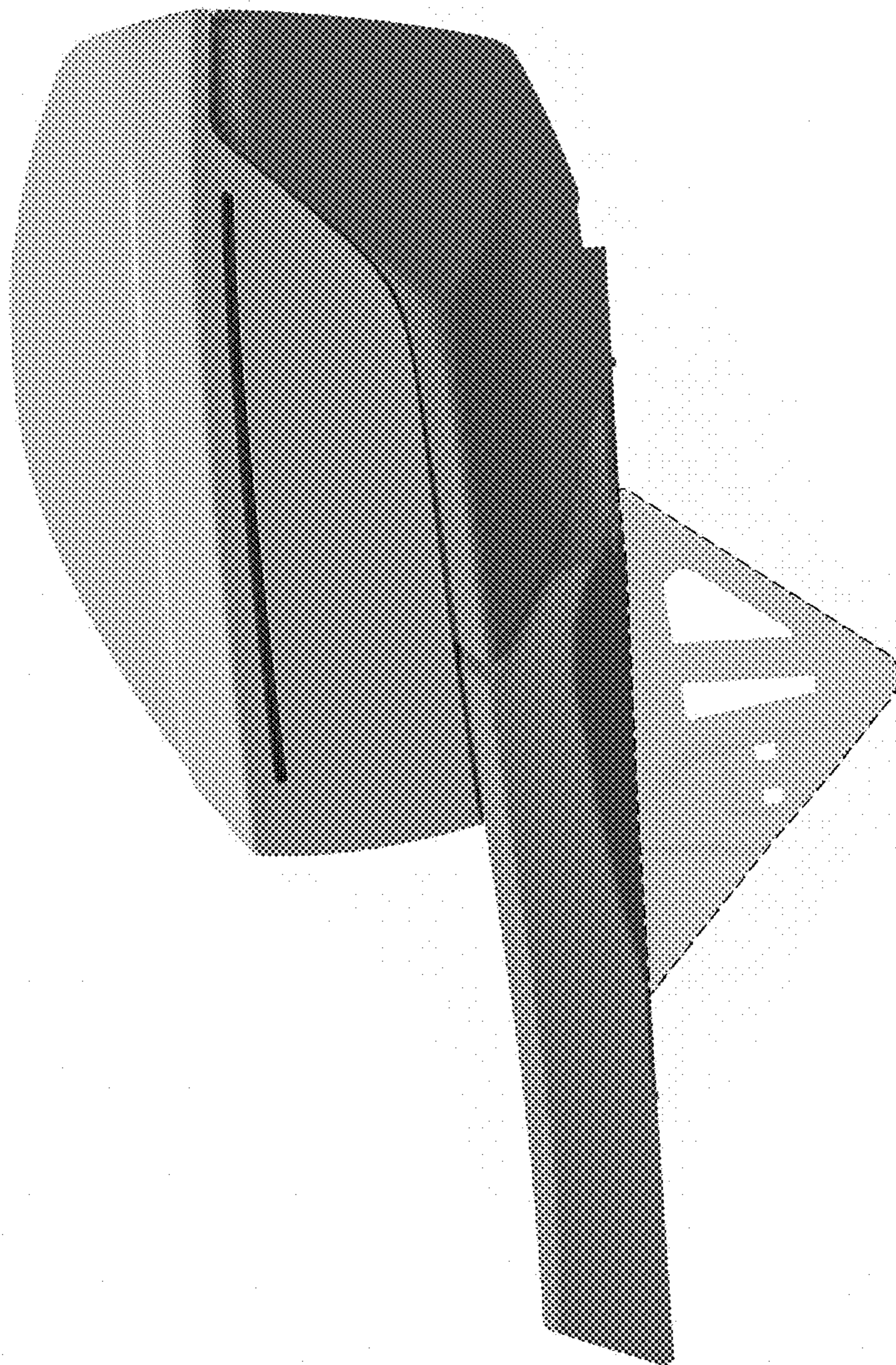


FIG. 3

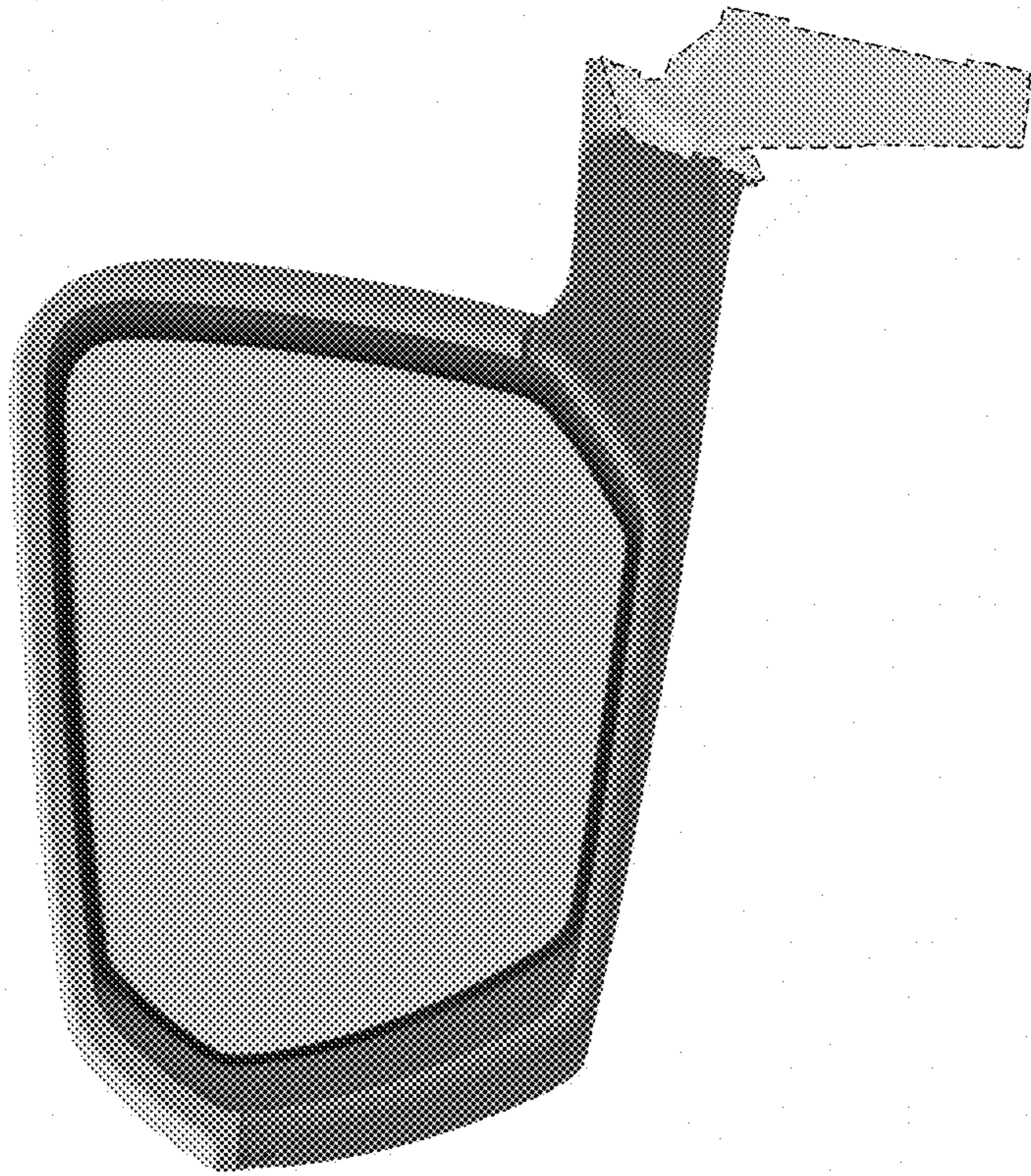


FIG. 4

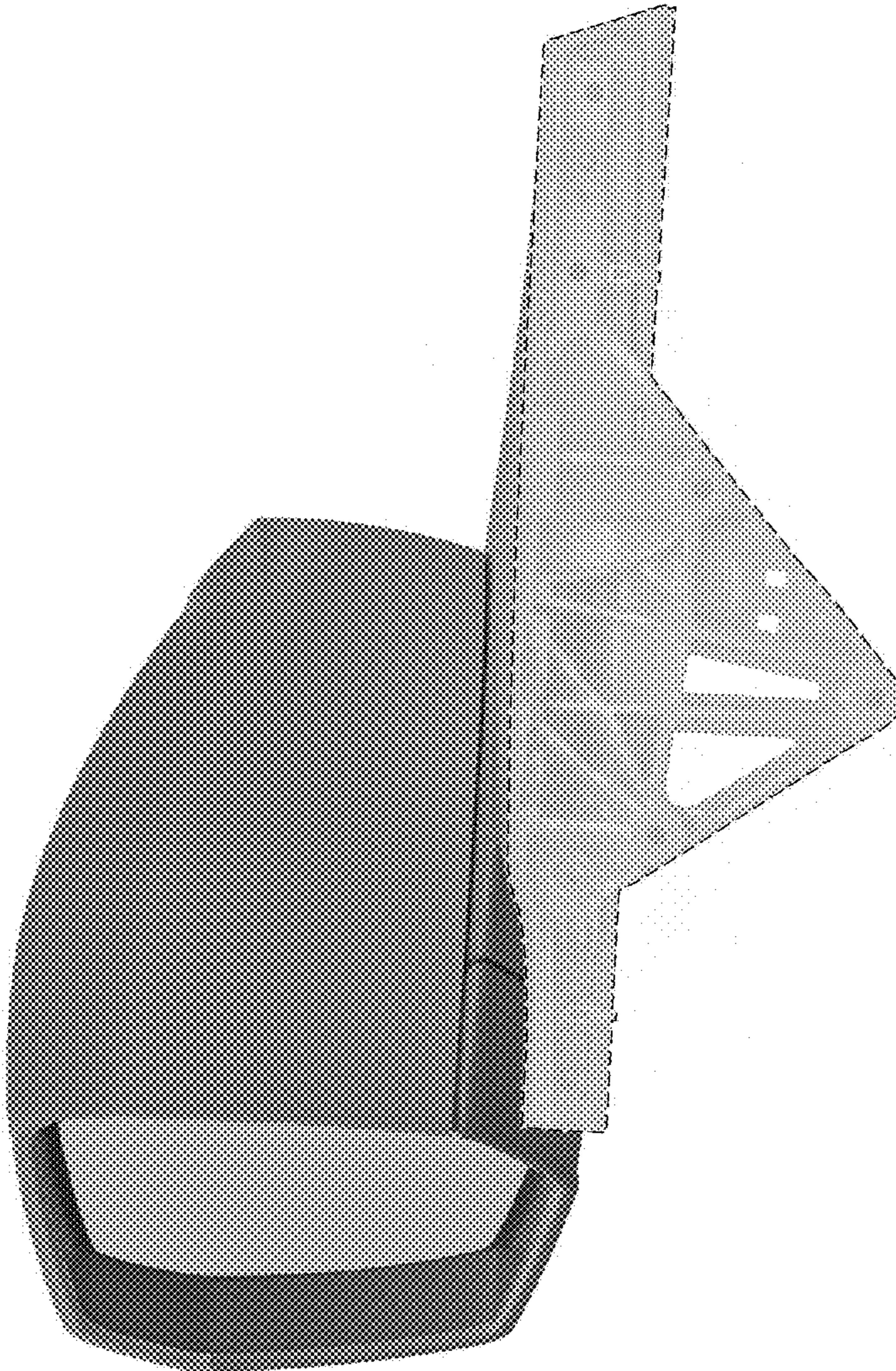


FIG. 5

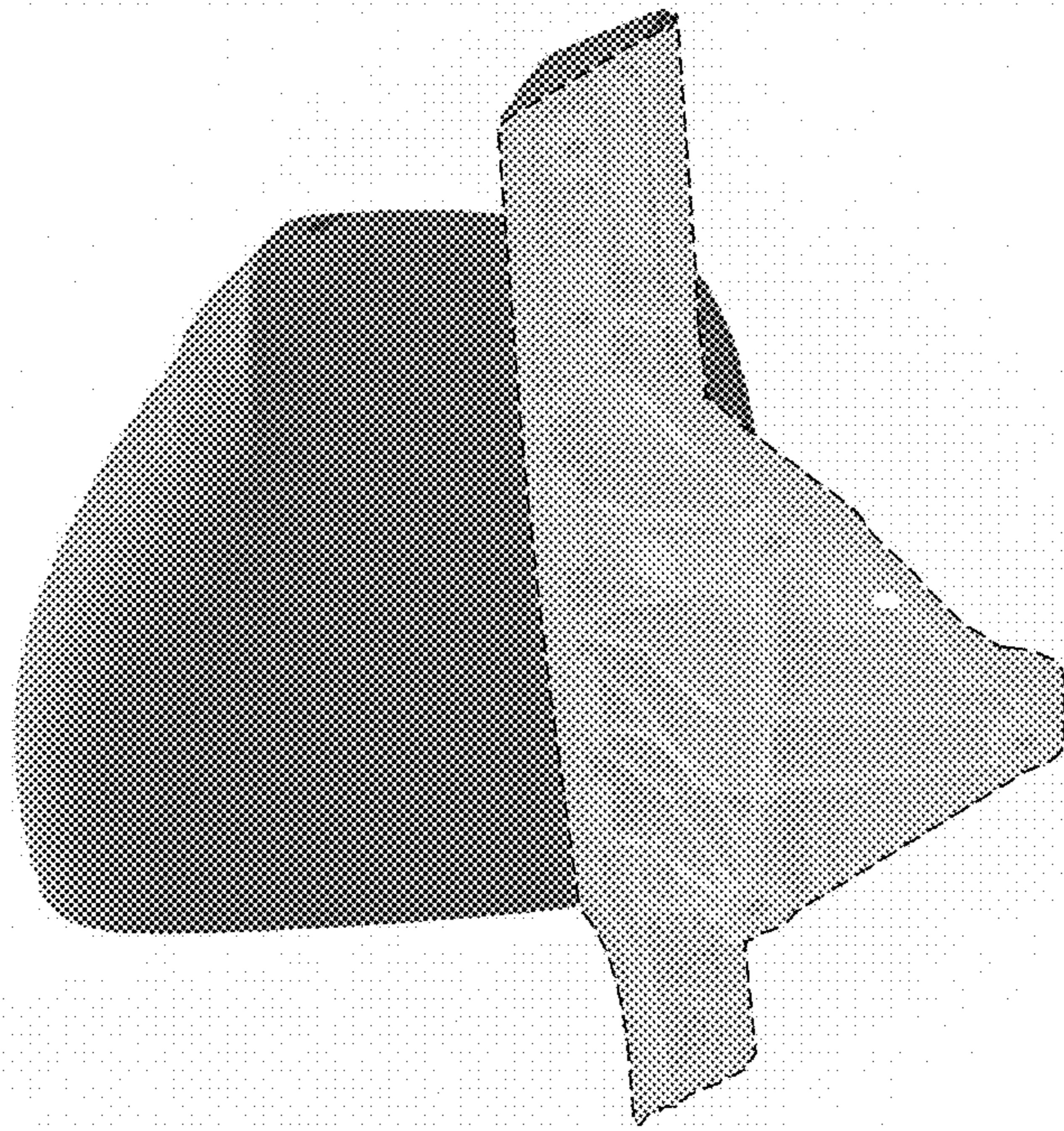


FIG. 6

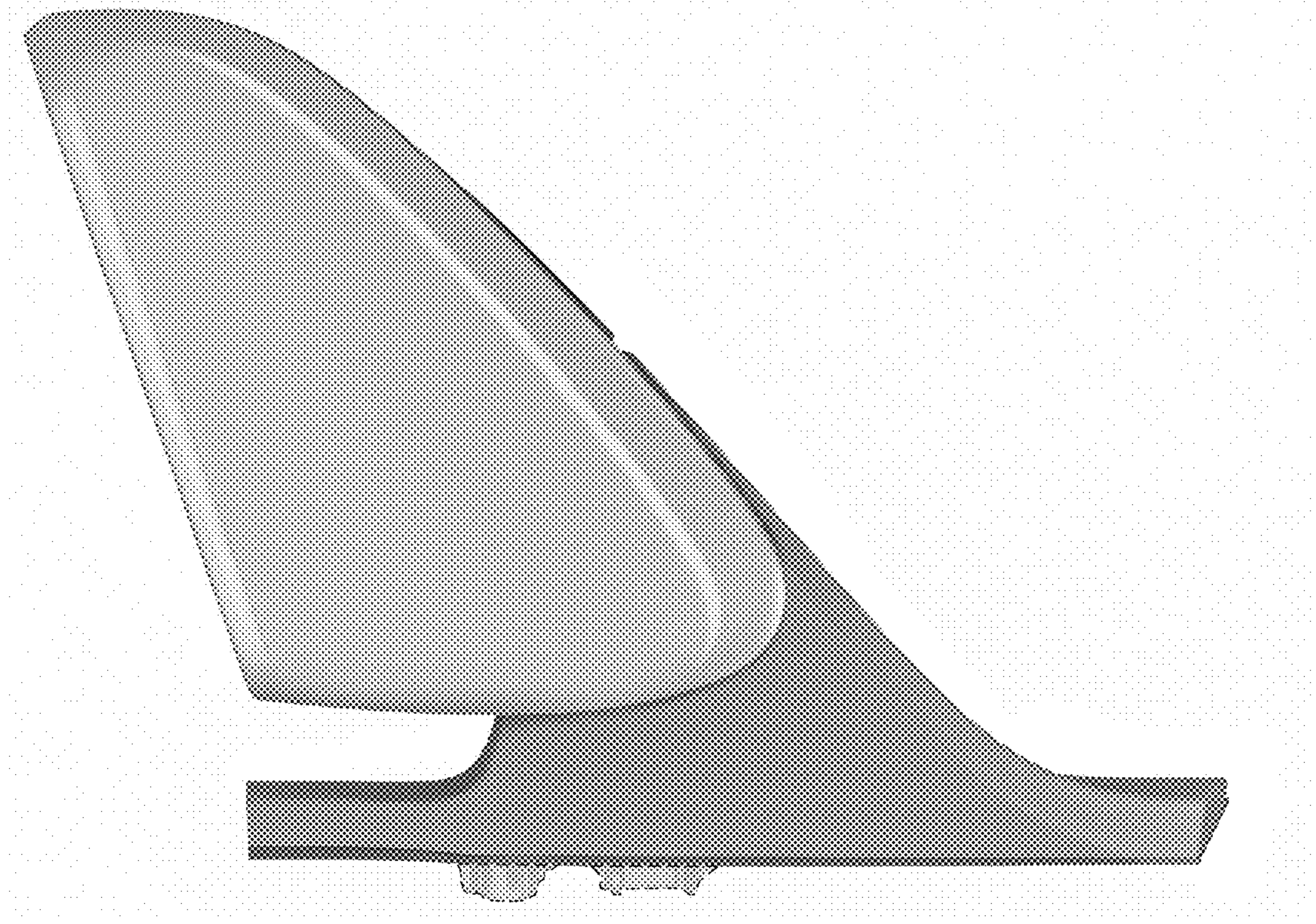


FIG. 7

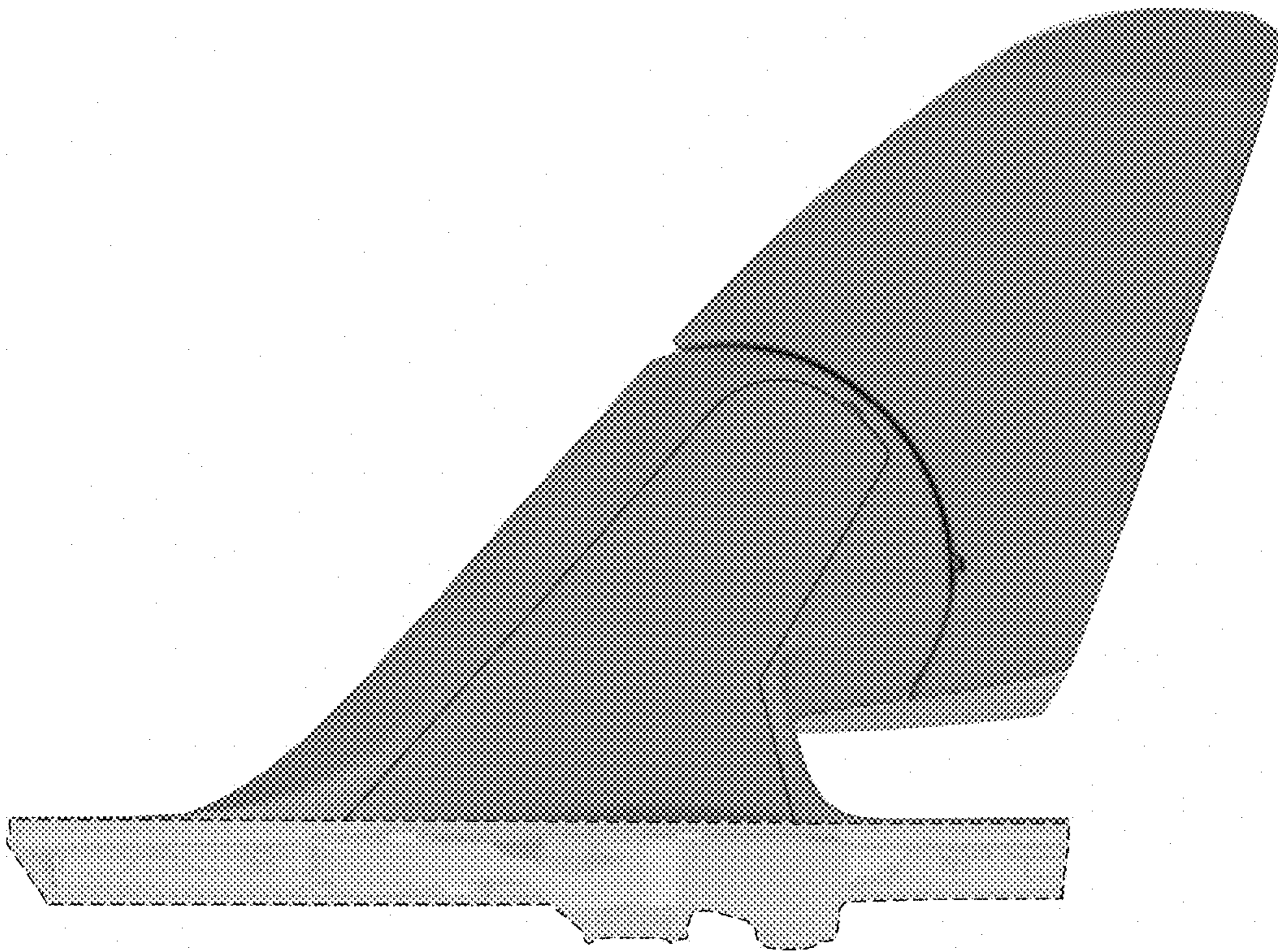


FIG. 8