



US00D968286S

(12) **United States Design Patent** (10) **Patent No.:** **US D968,286 S**
Yaffe (45) **Date of Patent:** **** *Nov. 1, 2022**

(54) **MOTORCYCLE HANDLEBARS**
(71) Applicant: **Paul Yaffe**, Phoenix, AZ (US)
(72) Inventor: **Paul Yaffe**, Phoenix, AZ (US)
(*) Notice: This patent is subject to a terminal disclaimer.

D497,858 S 11/2004 Fabian
D502,673 S 3/2005 Schlick
7,093,698 B1 8/2006 Chen
7,147,238 B2 12/2006 Oi
D542,197 S 5/2007 Carlini
D559,748 S 1/2008 Welch
7,350,437 B2 4/2008 Mangano et al.
D572,181 S * 7/2008 Lujan D12/178
(Continued)

(**) Term: **15 Years**

OTHER PUBLICATIONS

(21) Appl. No.: **29/767,324**
(22) Filed: **Jan. 21, 2021**
(51) **LOC (13) Cl.** **12-16**
(52) **U.S. Cl.**
USPC **D12/178**
(58) **Field of Classification Search**
USPC D12/111, 114, 178
CPC B62K 19/16; B62K 21/12; B62K 21/18;
B62K 21/125; B62K 23/06
See application file for complete search history.

“Monkey Sport Bars” Paul Yaffe’s Bagger Nation, posted date Jul. 16, 2021 [online], [retrieved on Mar. 10, 2022]. Retrieved from the Internet <URL:https://baggernation.com/product/6-oem-monkey-sport-bars-multi-fit-road-glide-road-king-fxr-sportster-softail-and-dyna-glide/> (Year: 2021).*

(Continued)

Primary Examiner — Darlington Ly
Assistant Examiner — Nasim Abdulaziz Ali
(74) *Attorney, Agent, or Firm* — Ice Miller LLP

(56) **References Cited**

(57) **CLAIM**

The ornamental design for a motorcycle handlebars, as shown and described.

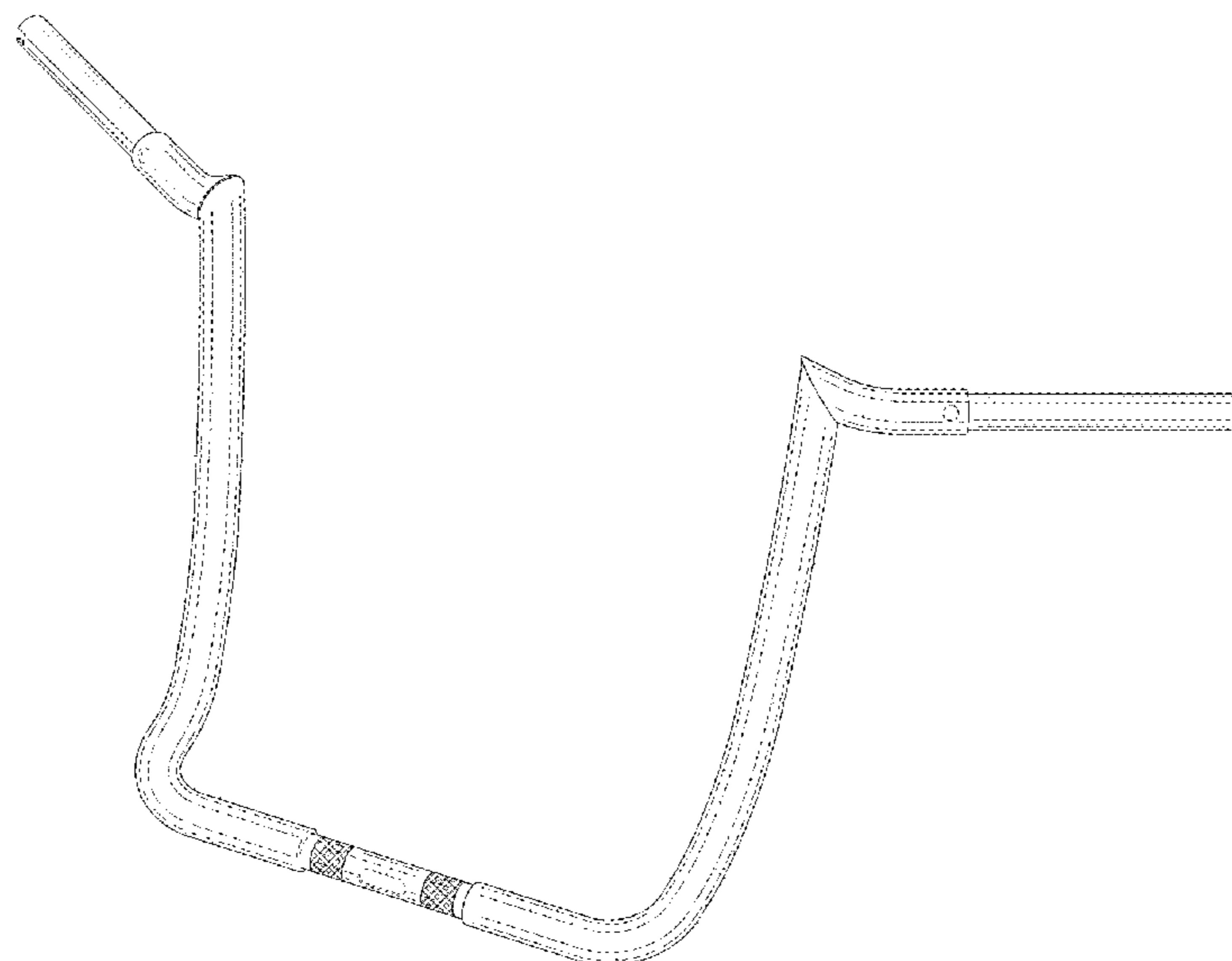
U.S. PATENT DOCUMENTS

DESCRIPTION

3,331,617 A 7/1967 Jacoby
D213,163 S 1/1969 Stone
3,477,741 A 11/1969 Ross
D223,072 S 3/1972 Pawsat et al.
D224,696 S 8/1972 Pawsat et al.
D328,266 S 7/1992 Cummings
5,199,322 A 4/1993 Wu
5,257,552 A 11/1993 Boyer et al.
D342,475 S 12/1993 Haro
D415,084 S 10/1999 Clarkson
D425,463 S 5/2000 Clarkson
D458,566 S * 6/2002 Carlini D12/178
D477,798 S 7/2003 Bean et al.
6,588,297 B1 7/2003 Day et al.
D483,307 S 12/2003 Gibson
6,668,681 B2 12/2003 Flum et al.
D487,416 S 3/2004 Lin
D496,893 S 10/2004 Sieve et al.

FIG. 1 is a front perspective view of the motorcycle handlebars showing the new design;
FIG. 2 is a rear perspective view thereof;
FIG. 3 is a front elevation view thereof;
FIG. 4 is a rear elevation view thereof;
FIG. 5 is a left side elevation view thereof;
FIG. 6 is a right side elevation view thereof;
FIG. 7 is a top plan view thereof; and,
FIG. 8 is a bottom plan view thereof.
The broken lines in the drawings illustrate portions of the motorcycle handlebars that form no part of the claimed design.

1 Claim, 7 Drawing Sheets



(56)

References Cited

U.S. PATENT DOCUMENTS

D594,787 S 6/2009 Dallaire
 D604,212 S * 11/2009 Carlini D12/178
 D612,307 S 3/2010 Lujan
 D621,755 S 8/2010 Carlini
 D624,858 S 10/2010 Carlini
 7,837,212 B2 11/2010 D'Aluisio
 D629,343 S * 12/2010 Carlini D12/178
 D639,211 S 6/2011 Lujan
 D658,098 S 4/2012 Plainfield
 D664,079 S 7/2012 Lujan
 D686,547 S 7/2013 Neilson
 D687,753 S * 8/2013 Carlini D12/178
 D689,409 S 9/2013 Yap
 D689,418 S * 9/2013 Menefee D12/178
 8,739,653 B2 6/2014 Hissam
 D725,455 S 3/2015 Carlini
 D726,607 S * 4/2015 Rickard D12/178
 D727,808 S * 4/2015 Heinz D12/178
 D749,024 S * 2/2016 Heinz D12/178
 D785,516 S * 5/2017 Stockton D12/178
 D832,163 S 10/2018 Smith
 D856,228 S * 8/2019 Dunn D12/178
 D893,370 S 8/2020 Lee
 2005/0211010 A1 9/2005 Zimmerman
 2006/0145446 A1 7/2006 Schmider
 2008/0298078 A1 12/2008 Miyamoto
 2009/0044658 A1 2/2009 Yen
 2009/0049949 A1 2/2009 Chen

2009/0056495 A1 3/2009 Bischoff et al.
 2010/0018341 A1 * 1/2010 Greppi B62K 21/12
 74/551.1
 2010/0186543 A1 * 7/2010 Menghini B62K 21/12
 74/551.1
 2011/0219909 A1 9/2011 Galstad et al.
 2012/0210821 A1 8/2012 Carlini
 2014/0174246 A1 6/2014 Chiang
 2021/0347435 A1 * 11/2021 Huber B62K 21/22

OTHER PUBLICATIONS

“OEM Black 6” Sport Monkey Bar Handlebars” Paul Yaffe, posted date Jul. 1, 2020 [online], [retrieved on Mar. 10, 2022]. Retrieved from the Internet <URL:https://americanclassicmotors.com/products/paul-yaffe-oem-black-6-sport-monkey-bar-handlebars-harley-touring-softail-dyna> (Year: 2020).*

“Paul Yaffe Bagger Nation 1¼” Monkey Bars Handlebars for Harley” Paul Yaffe, posted date Aug. 31, 2017 [online], [retrieved on Mar. 10, 2022]. Retrieved from the Internet <URL:https://www.getlowered.com/paul-yaffe-bagger-nation-1-1-4-monkey-bars-handlebars-for-harley/> (Year: 2017).*

“Meathook Monkey Bar Ape Hangers Handlebars” Dominator Industries, posted date Jun. 25, 2017 [online], [retrieved on Mar. 10, 2022]. Retrieved from the Internet <URL:https://www.amazon.com/Dominator-Industries-Handlebars-Harley-Davidson-BC-HC-BB16GB-ESG08-ABS-BC/dp/B07387CYCG/> (Year: 2017).*

* cited by examiner

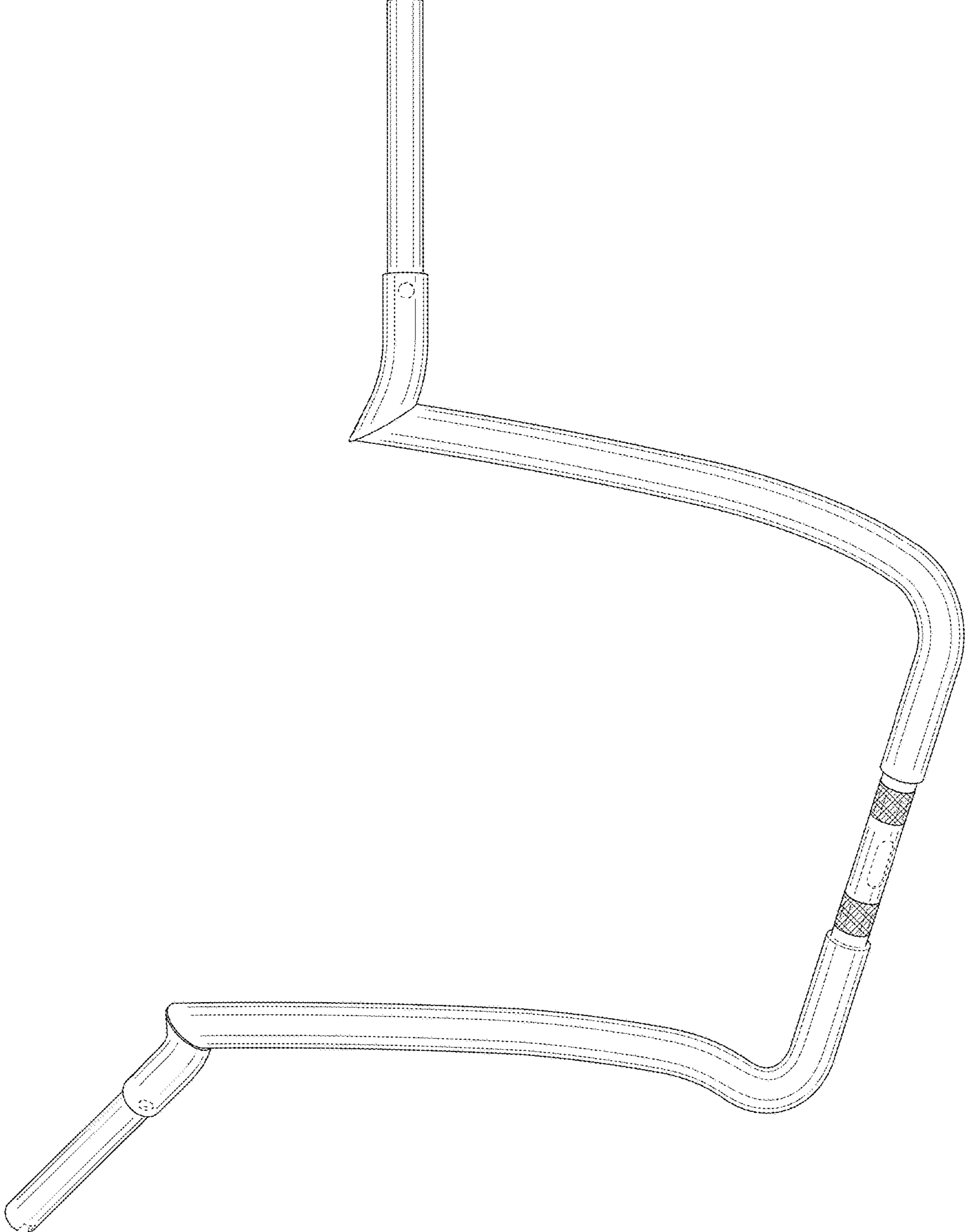


FIG. 1

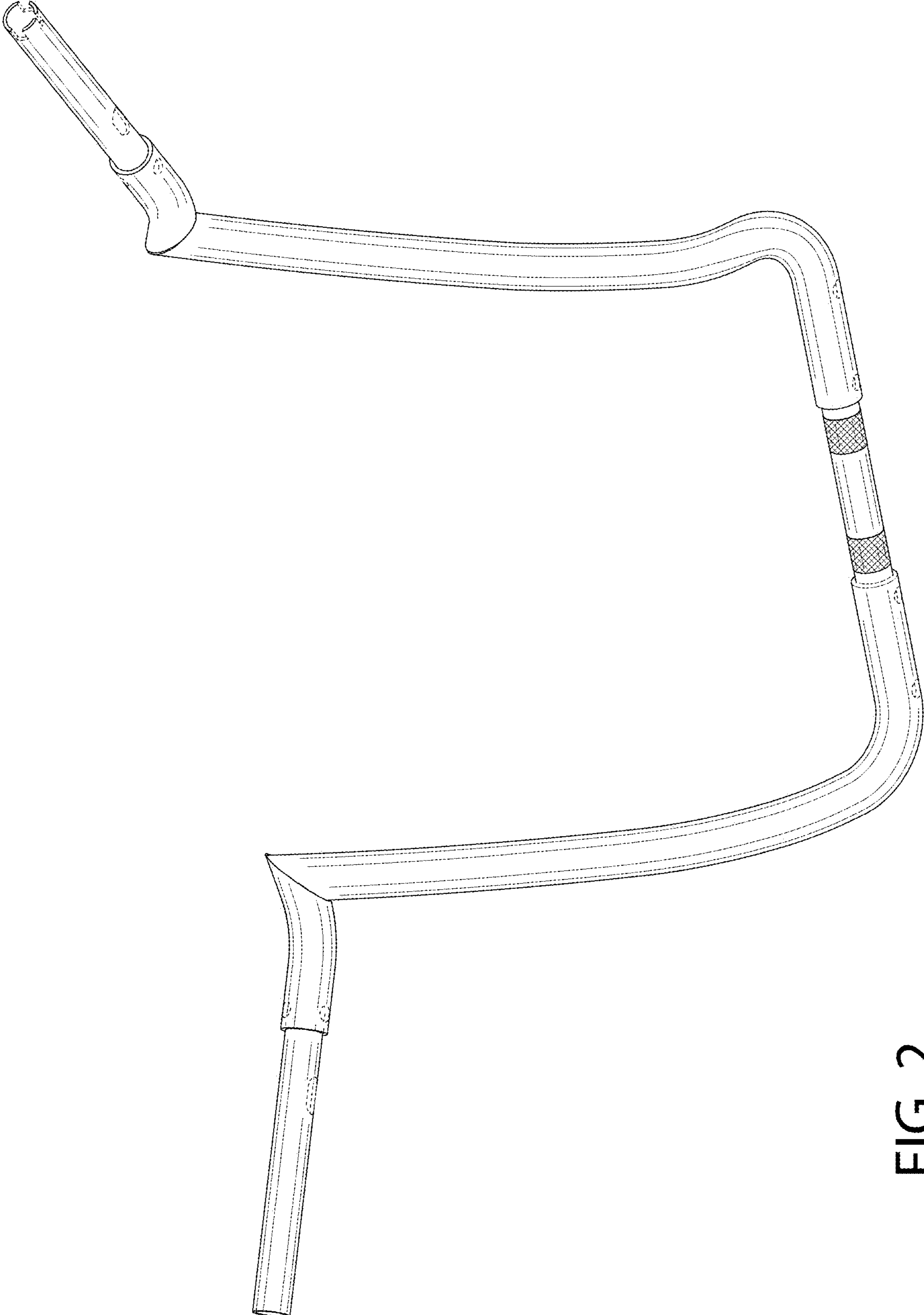


FIG. 2

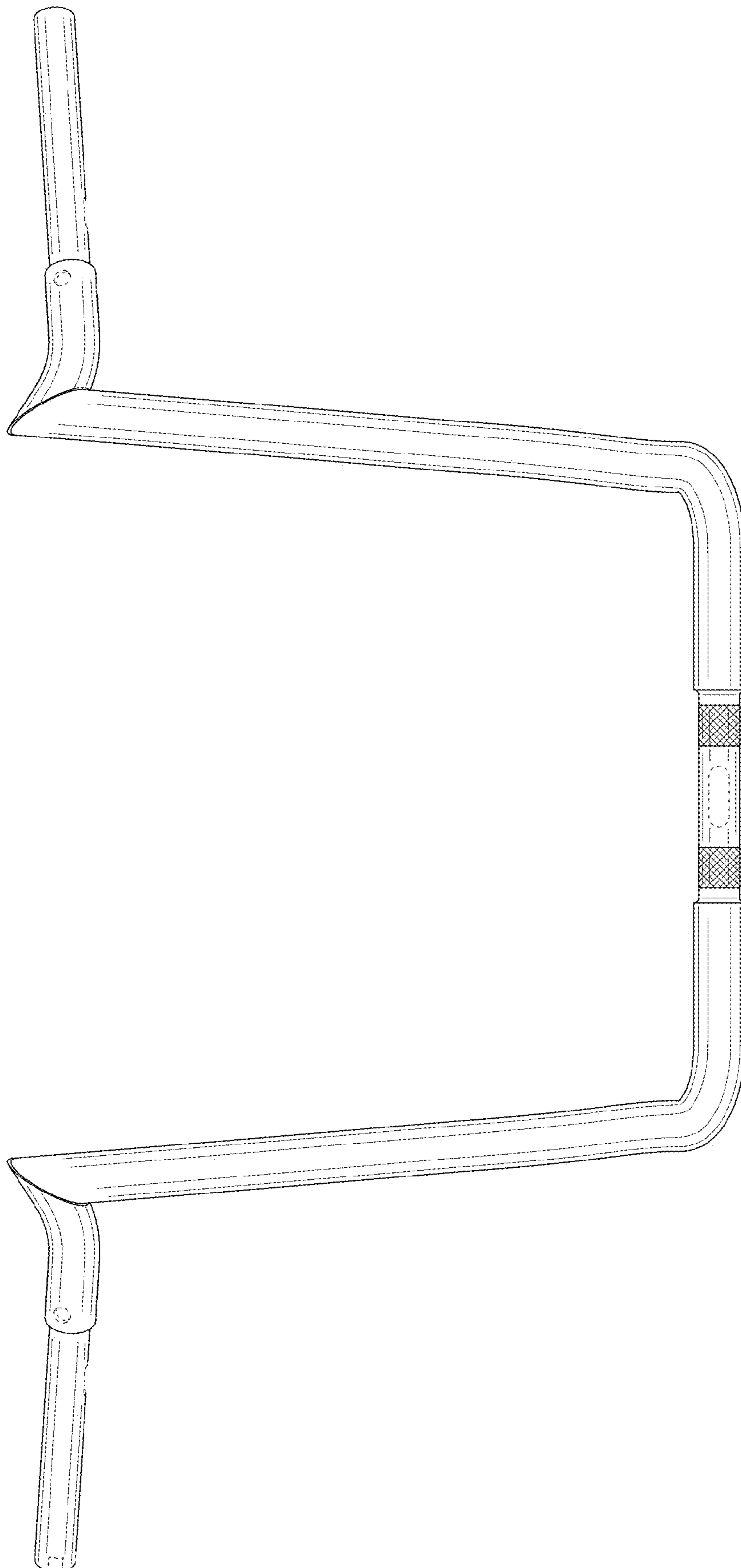


FIG. 3

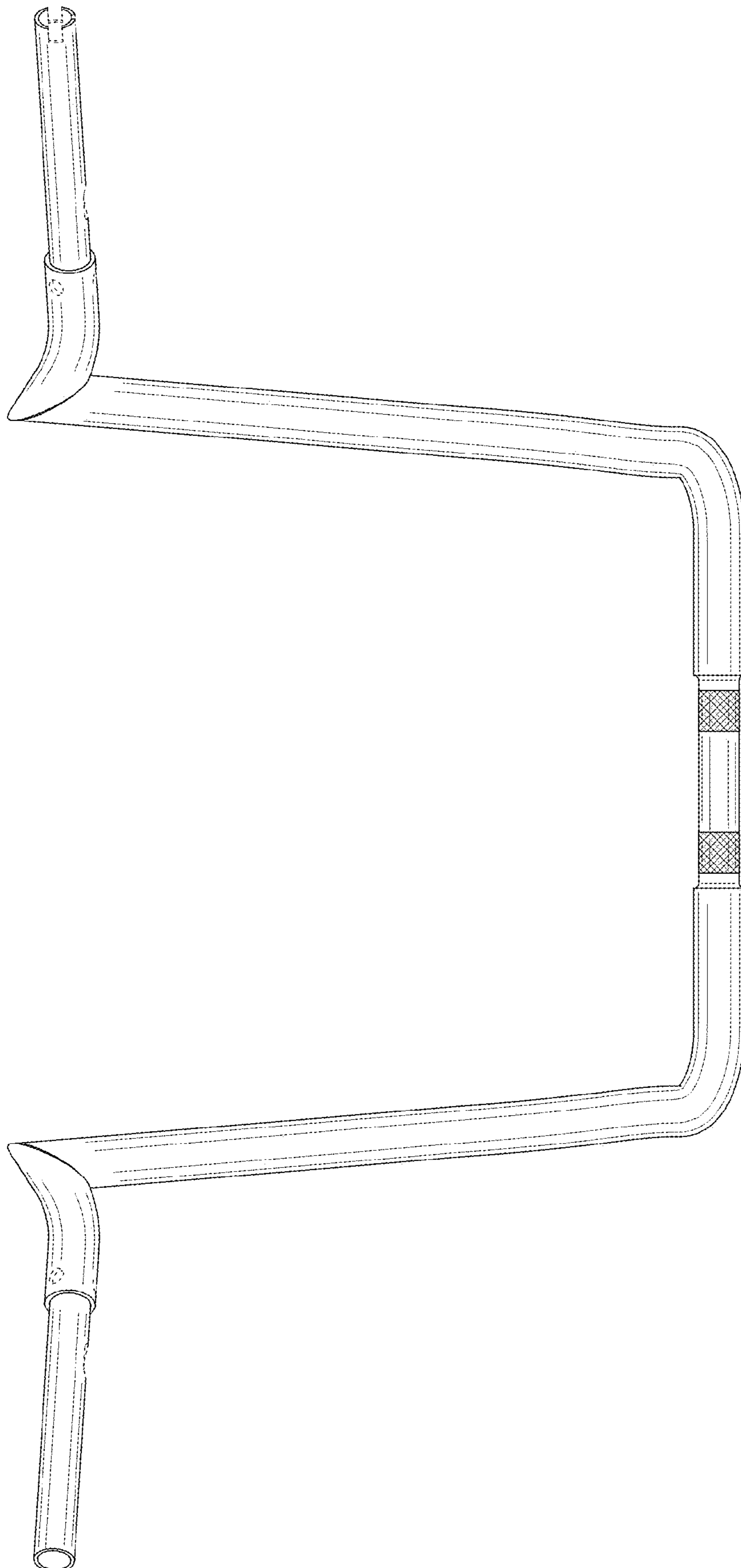


FIG. 4

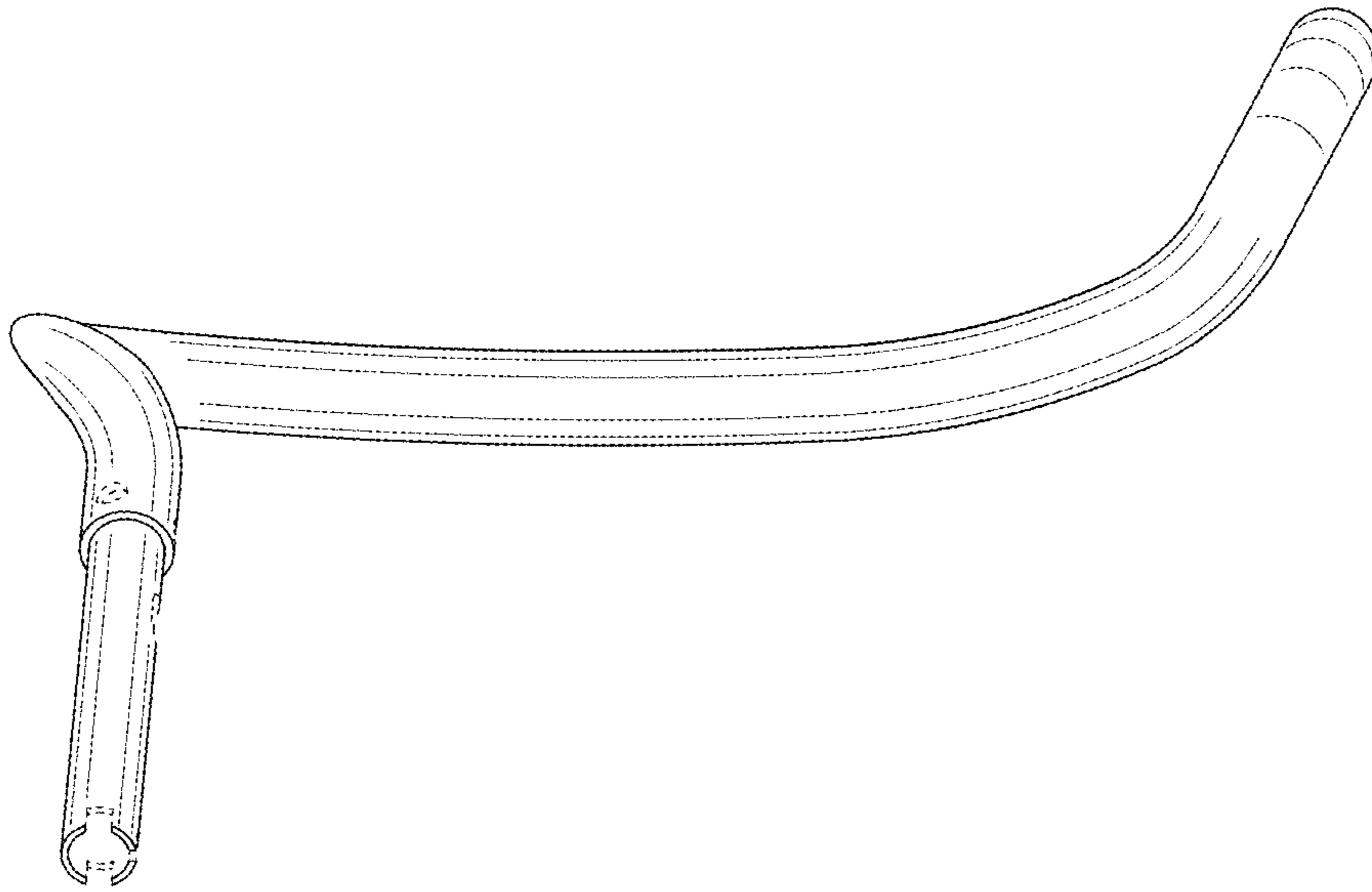


FIG. 5

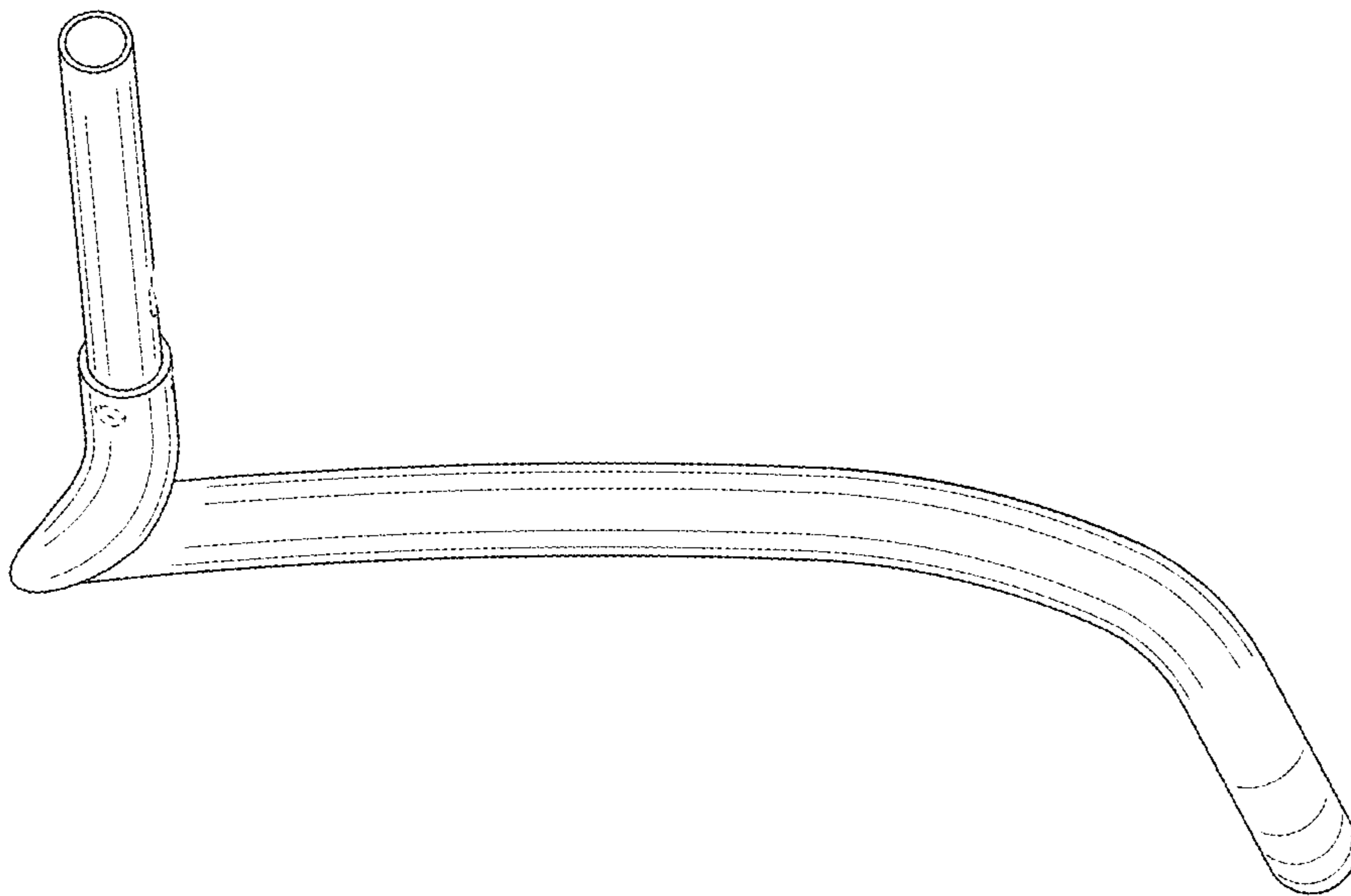


FIG. 6

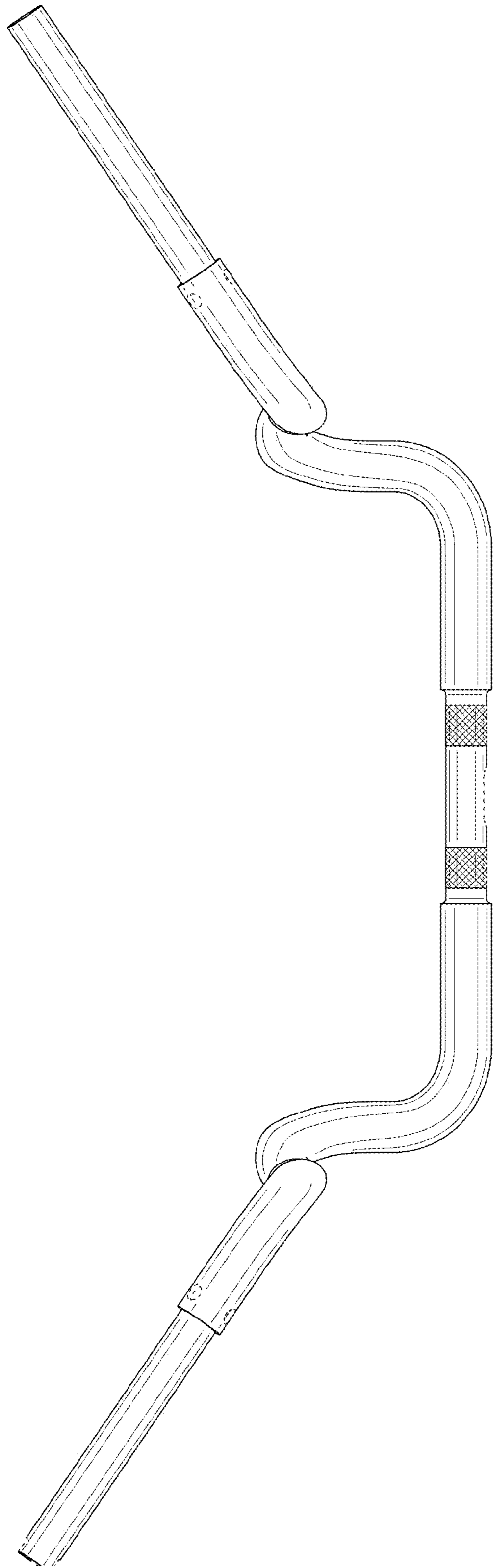


FIG. 7

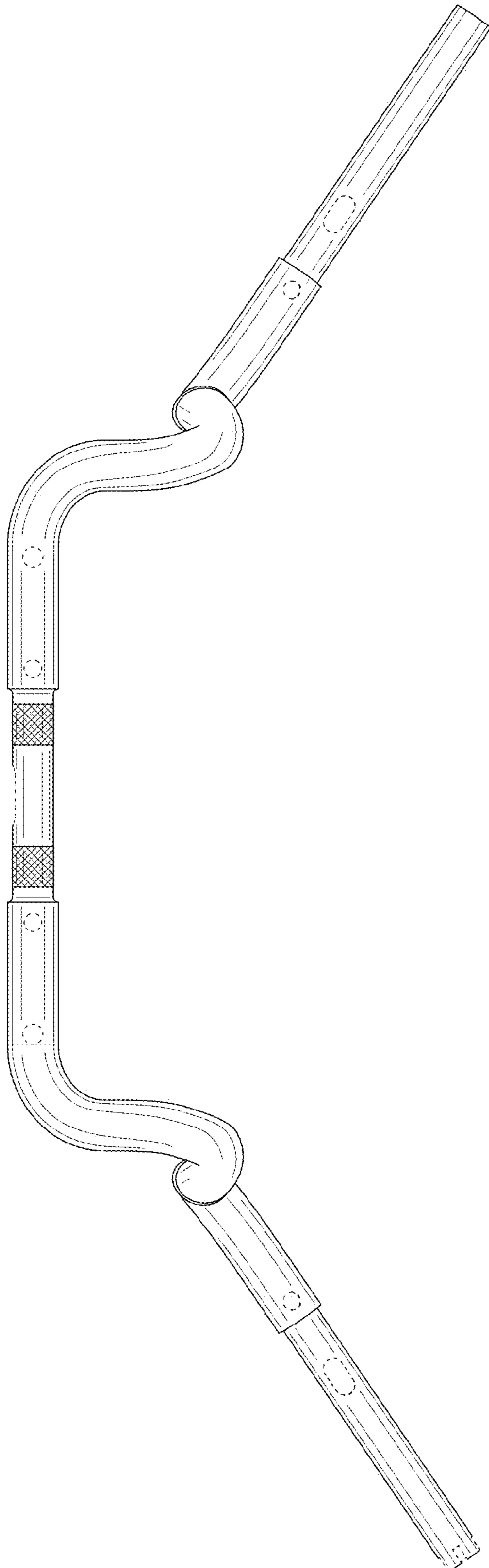


FIG. 8