



US00D968283S

(12) **United States Design Patent**
Hong

(10) **Patent No.:** **US D968,283 S**

(45) **Date of Patent:** **** Nov. 1, 2022**

(54) **CAR STEERING WHEEL DECORATIVE COVER**

(71) Applicant: **Weize Hong**, Shenzhen (CN)

(72) Inventor: **Weize Hong**, Shenzhen (CN)

(**) Term: **15 Years**

(21) Appl. No.: **29/832,571**

(22) Filed: **Mar. 29, 2022**

(51) **LOC (13) Cl.** **12-16**

(52) **U.S. Cl.**
USPC **D12/177**

(58) **Field of Classification Search**
USPC D12/174, 175, 176, 177, 190, 192, 195,
D12/223, 400

CPC ... B60R 21/05; B60R 21/203; B60R 21/2037;
B60R 21/215; B60R 21/2155; B60R
2021/21543; B62D 1/00; B62D 1/02;
B62D 1/04; B62D 1/043; B62D 1/046;
B62D 1/06; B62D 1/065; B62D 1/10;
B62D 1/11; B60Q 1/0082

See application file for complete search history.

(56) **References Cited**

U.S. PATENT DOCUMENTS

D460,734 S * 7/2002 Carlson D15/5
D502,129 S * 2/2005 Nakajima D12/176

D935,859 S 11/2021 Bertolotto
D935,964 S * 11/2021 Qiu D12/177
D936,539 S * 11/2021 Papis D12/177
D951,160 S * 5/2022 Wu D12/177
D953,221 S * 5/2022 Li D12/177
2002/0026850 A1* 3/2002 Albayrak B62D 1/06
74/552
2016/0121809 A1* 5/2016 Barros Alonso B60R 21/203
74/552
2018/0086361 A1* 3/2018 Maekubo B62D 1/06
2018/0222516 A1* 8/2018 Peyrot B62D 1/06

* cited by examiner

Primary Examiner — Cary M Robinson

Assistant Examiner — Adam C Mager

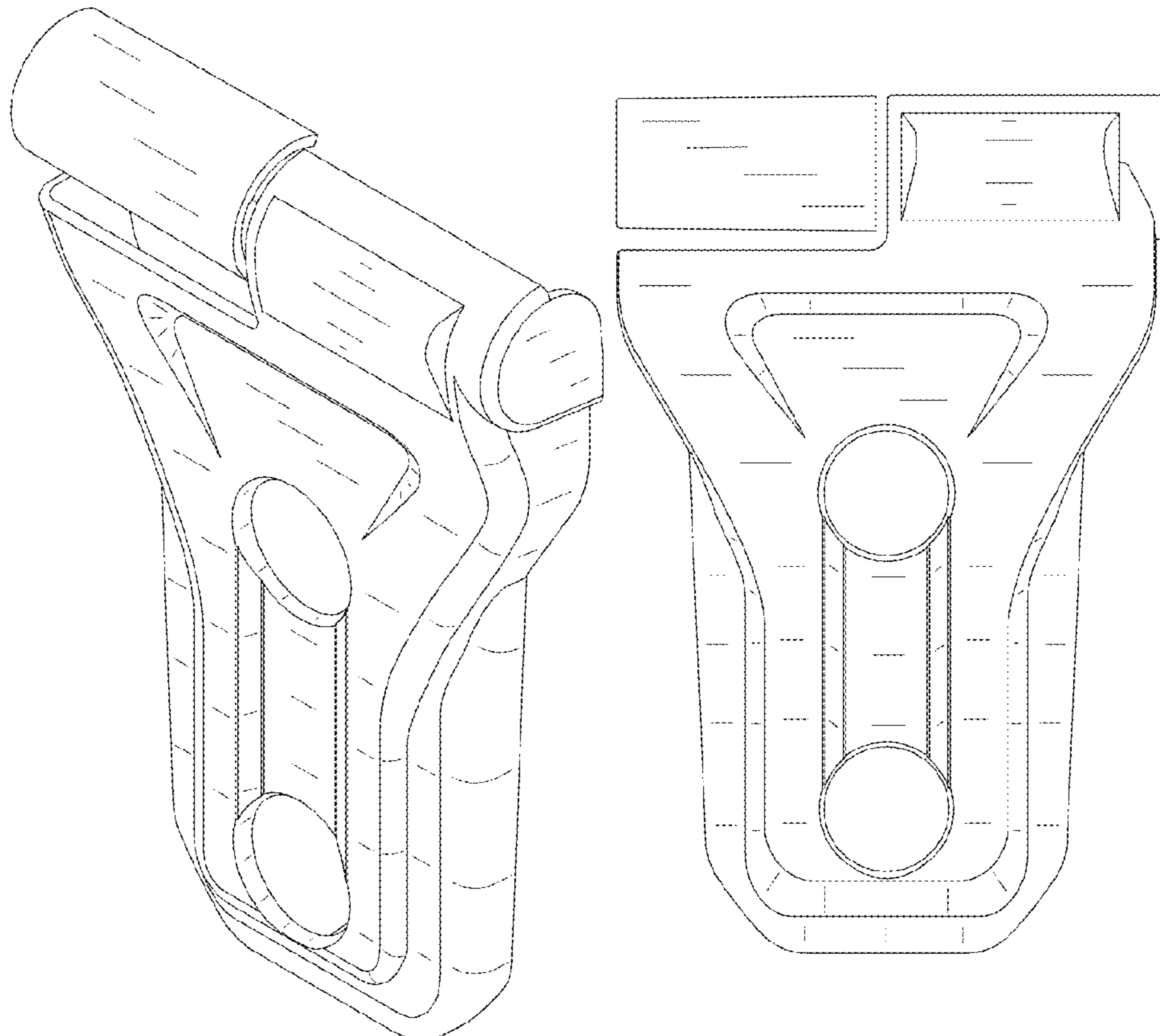
(57) **CLAIM**

The ornamental design for a car steering wheel decorative cover, as shown and described.

DESCRIPTION

FIG. 1 is a front perspective view of a car steering wheel decorative cover, showing my new design;
FIG. 2 is a front view thereof;
FIG. 3 is a rear view thereof;
FIG. 4 is a left side view thereof;
FIG. 5 is a right side view thereof;
FIG. 6 is a top view thereof; and,
FIG. 7 is a bottom view thereof.

1 Claim, 7 Drawing Sheets



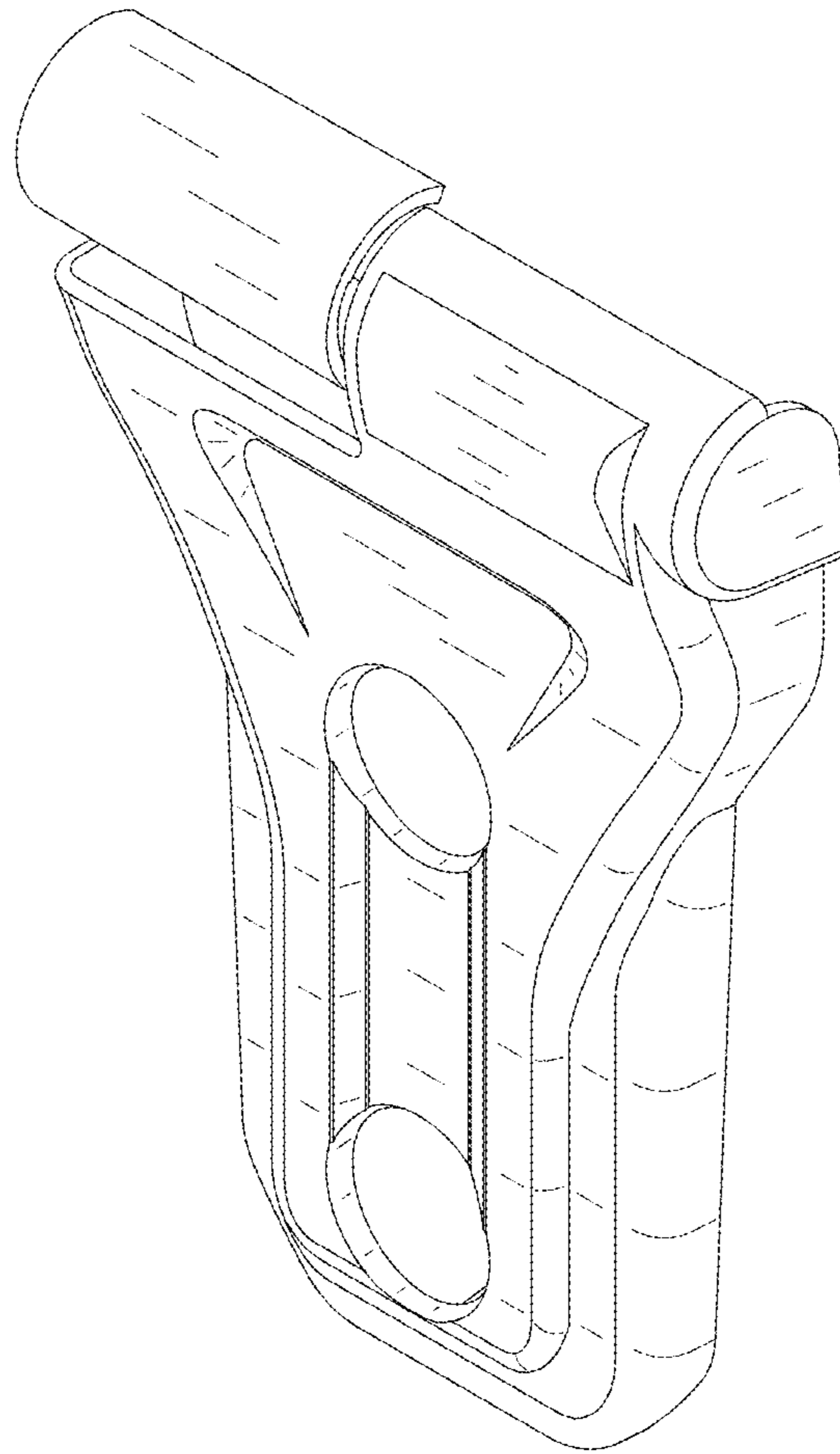


FIG. 1

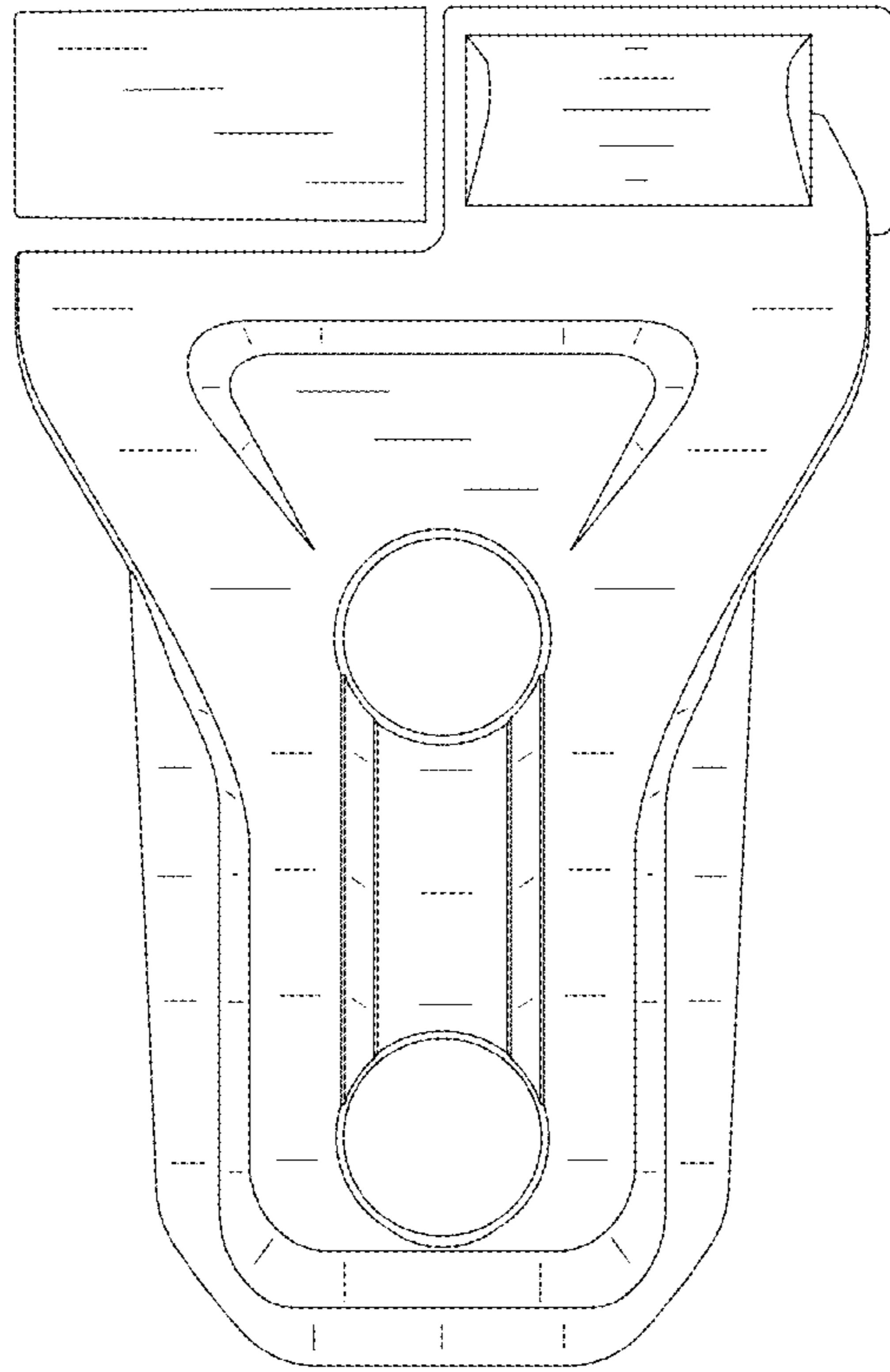


FIG. 2

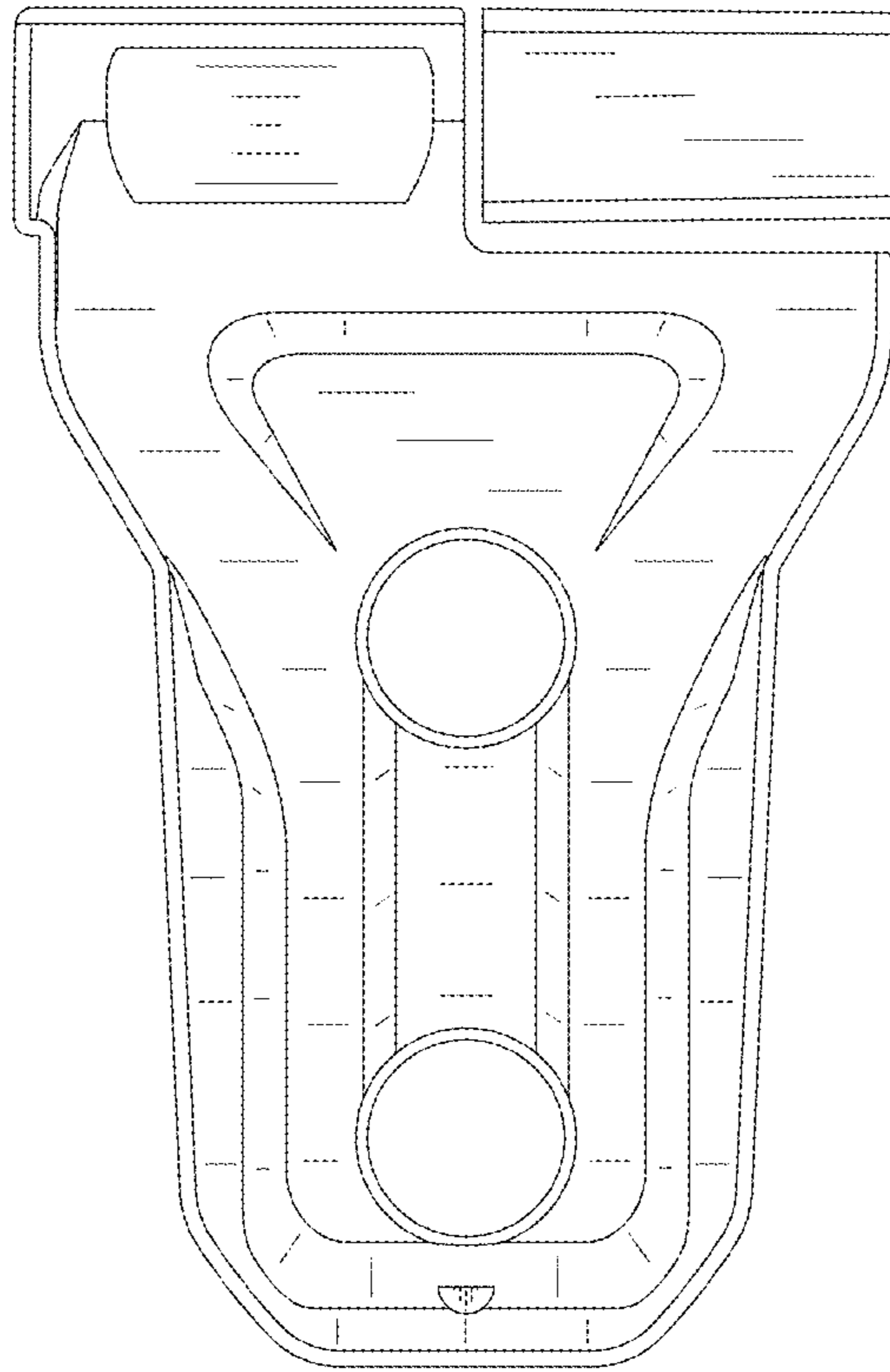


FIG. 3

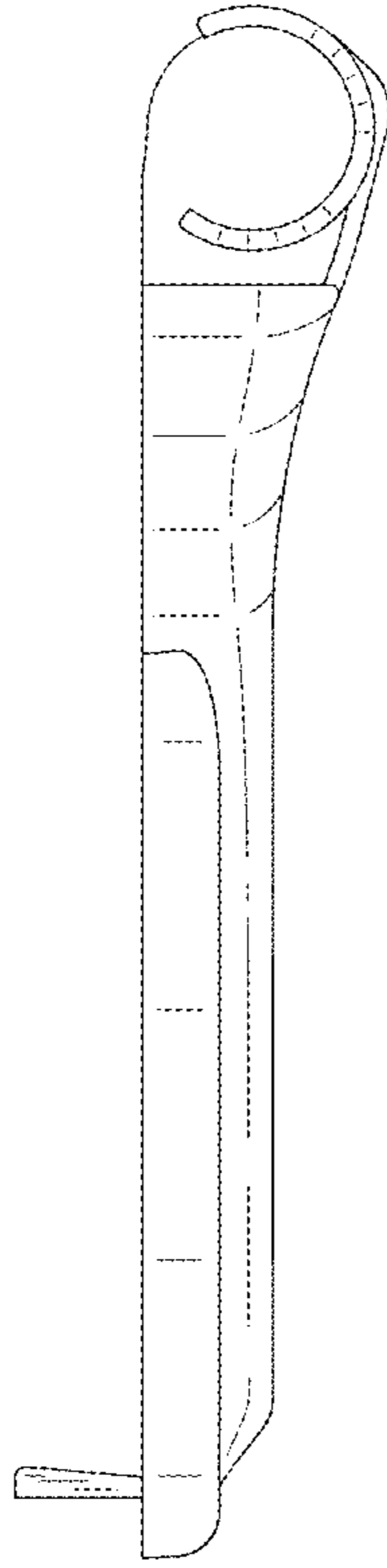


FIG. 4

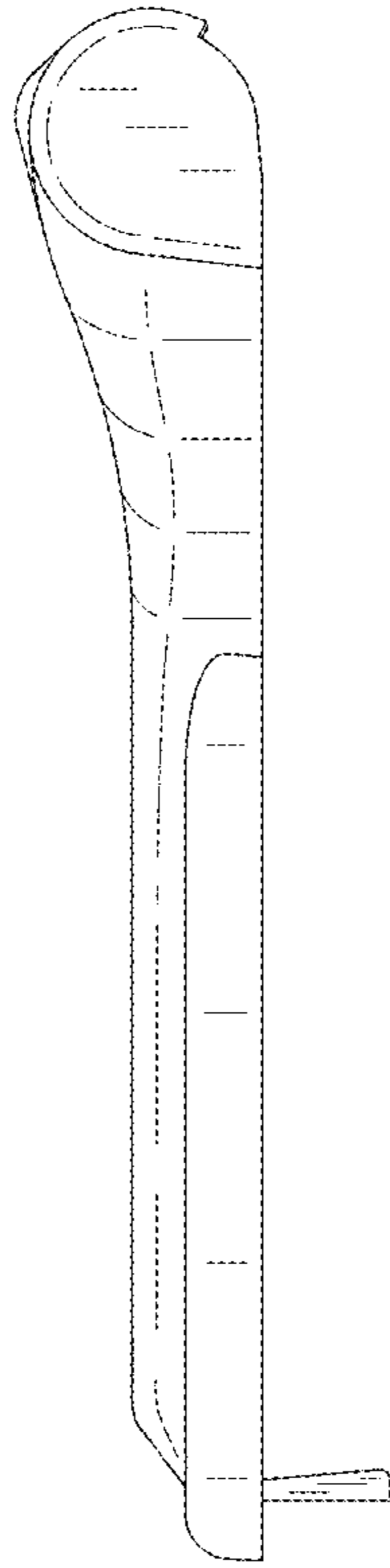


FIG. 5

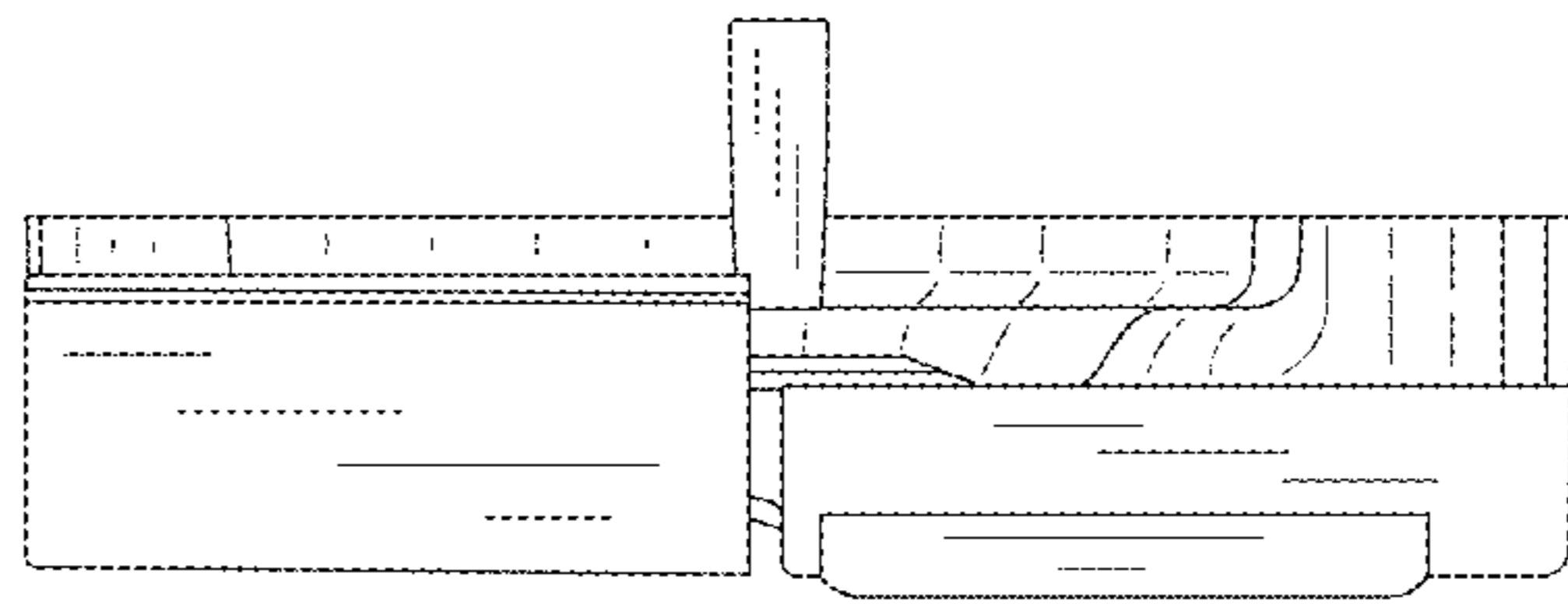


FIG. 6

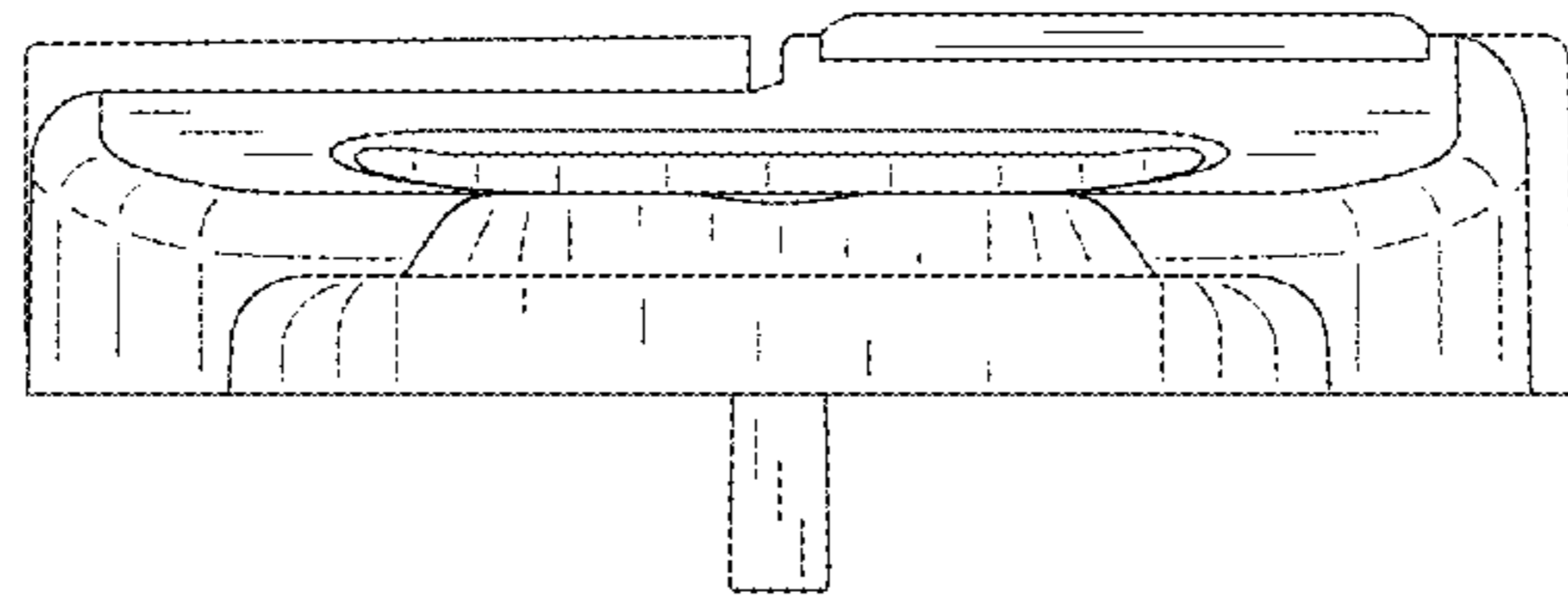


FIG. 7