



US00D968275S

(12) **United States Design Patent**
Givens

(10) **Patent No.:** **US D968,275 S**

(45) **Date of Patent:** **** Nov. 1, 2022**

(54) **MULTIFUNCTIONAL MOTORIZED STROLLER**

D860,063 S * 9/2019 Kamen D12/129
D860,065 S * 9/2019 Kamen D12/129
D860,066 S * 9/2019 Kamen D12/129
2018/0146757 A1* 5/2018 Singh Johar B62B 7/12

(71) Applicant: **Sherice Givens**, Thomasville, PA (US)

* cited by examiner

(72) Inventor: **Sherice Givens**, Thomasville, PA (US)

Primary Examiner — Charles D Hanson

(**) Term: **15 Years**

(74) *Attorney, Agent, or Firm* — Kimberly Mclean, Esq.;
Mclean Law LLC

(21) Appl. No.: **29/699,891**

(22) Filed: **Jul. 30, 2019**

(57) **CLAIM**

(51) **LOC (13) Cl.** **12-12**

The ornamental design for a multifunctional motorized stroller, as shown and described.

(52) **U.S. Cl.**

USPC **D12/129**

DESCRIPTION

(58) **Field of Classification Search**

USPC D12/129

CPC B62B 7/00-04; B62B 9/00-28

See application file for complete search history.

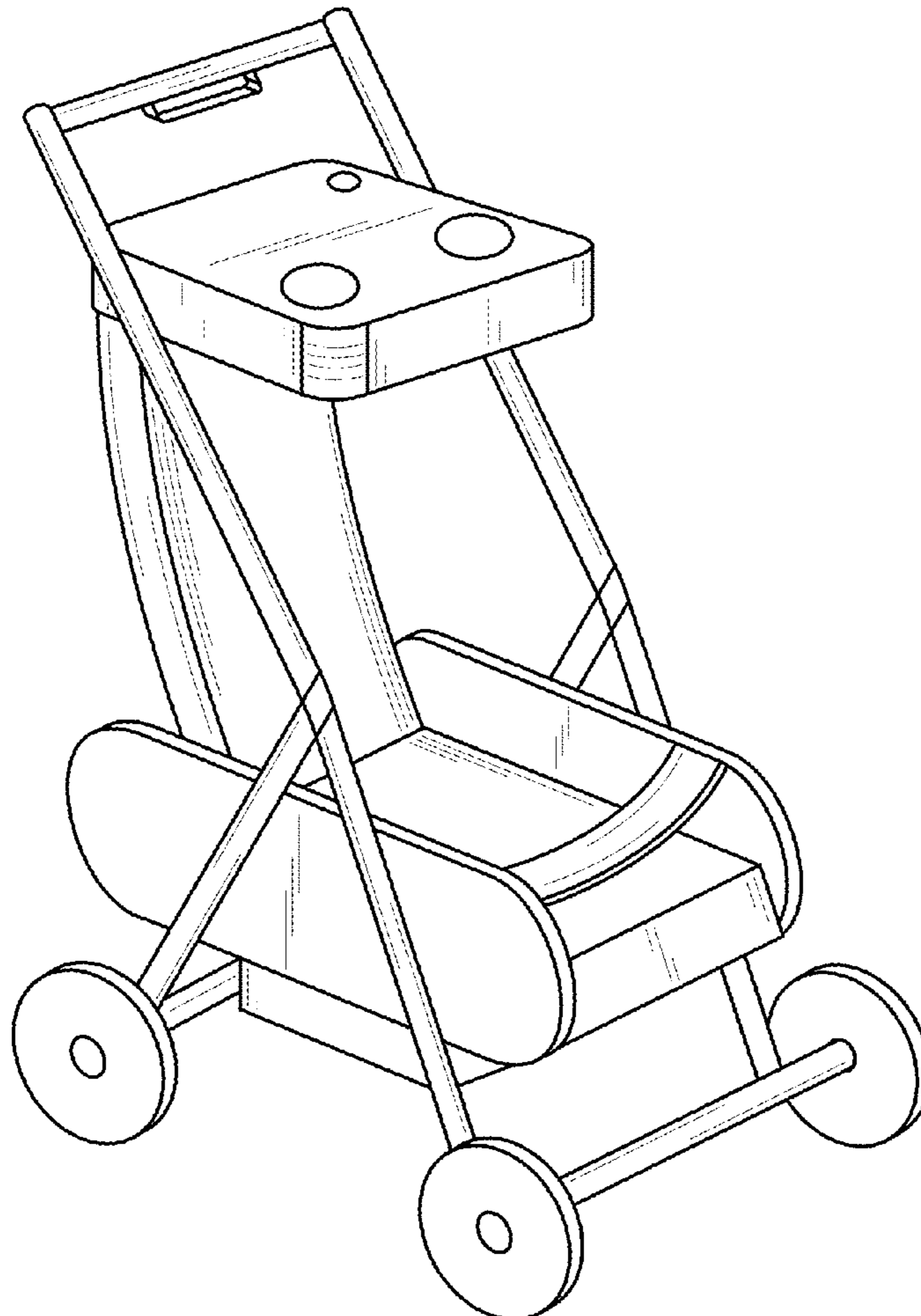
FIG. 1 is a left side perspective view of the multifunctional motorized stroller in accordance with the present invention; FIG. 2 is a front elevational view thereof; FIG. 3 is a rear elevational view thereof; FIG. 4 is a top plan view thereof; FIG. 5 is a bottom plan view thereof; FIG. 6 is a left side elevational view thereof; and, FIG. 7 is a right side elevational view thereof.

(56) **References Cited**

U.S. PATENT DOCUMENTS

D388,027 S * 12/1997 Polak D12/129
D388,368 S * 12/1997 Polak D12/129
D859,224 S * 9/2019 Kamen D12/129

1 Claim, 7 Drawing Sheets



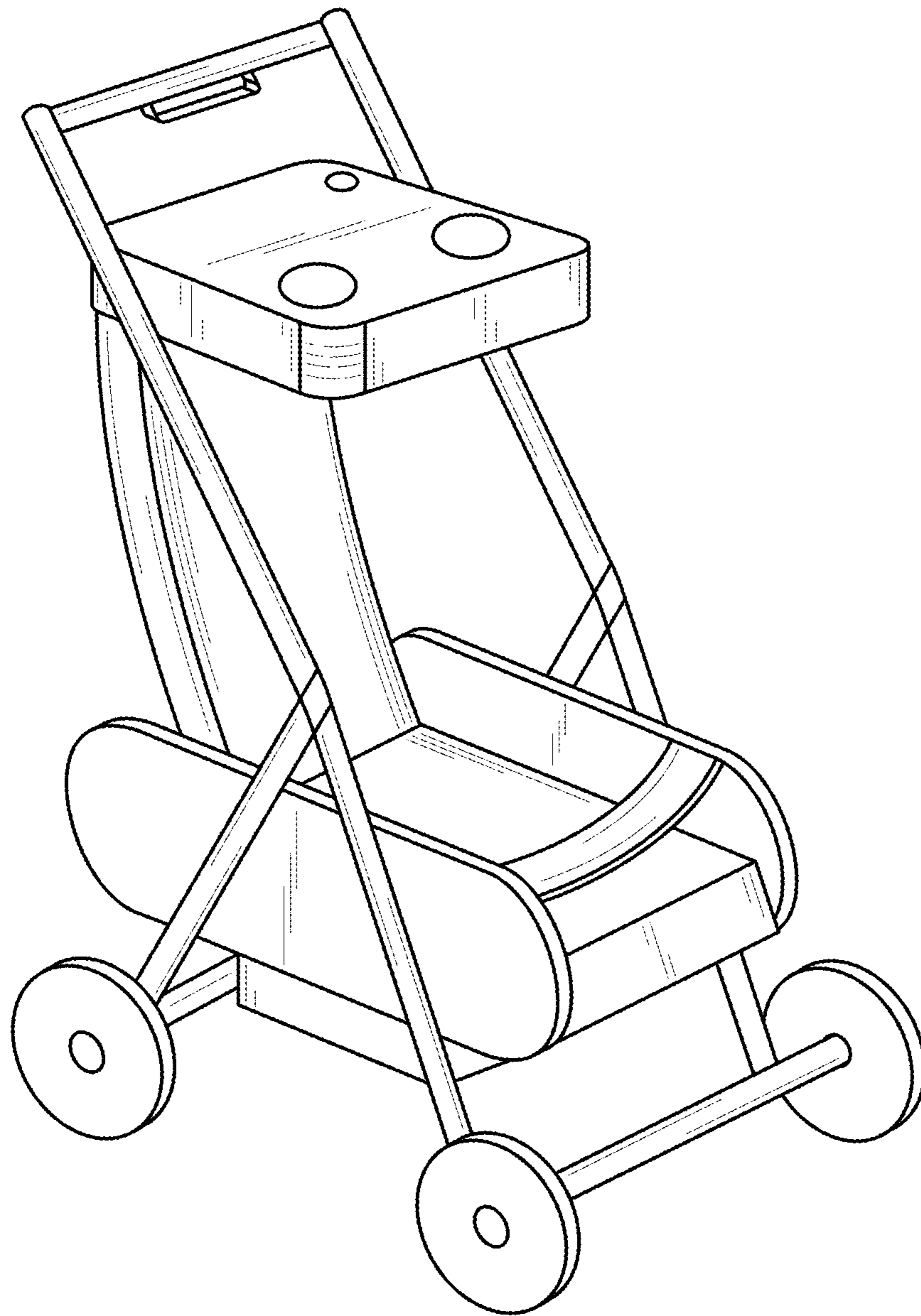


FIG. 1

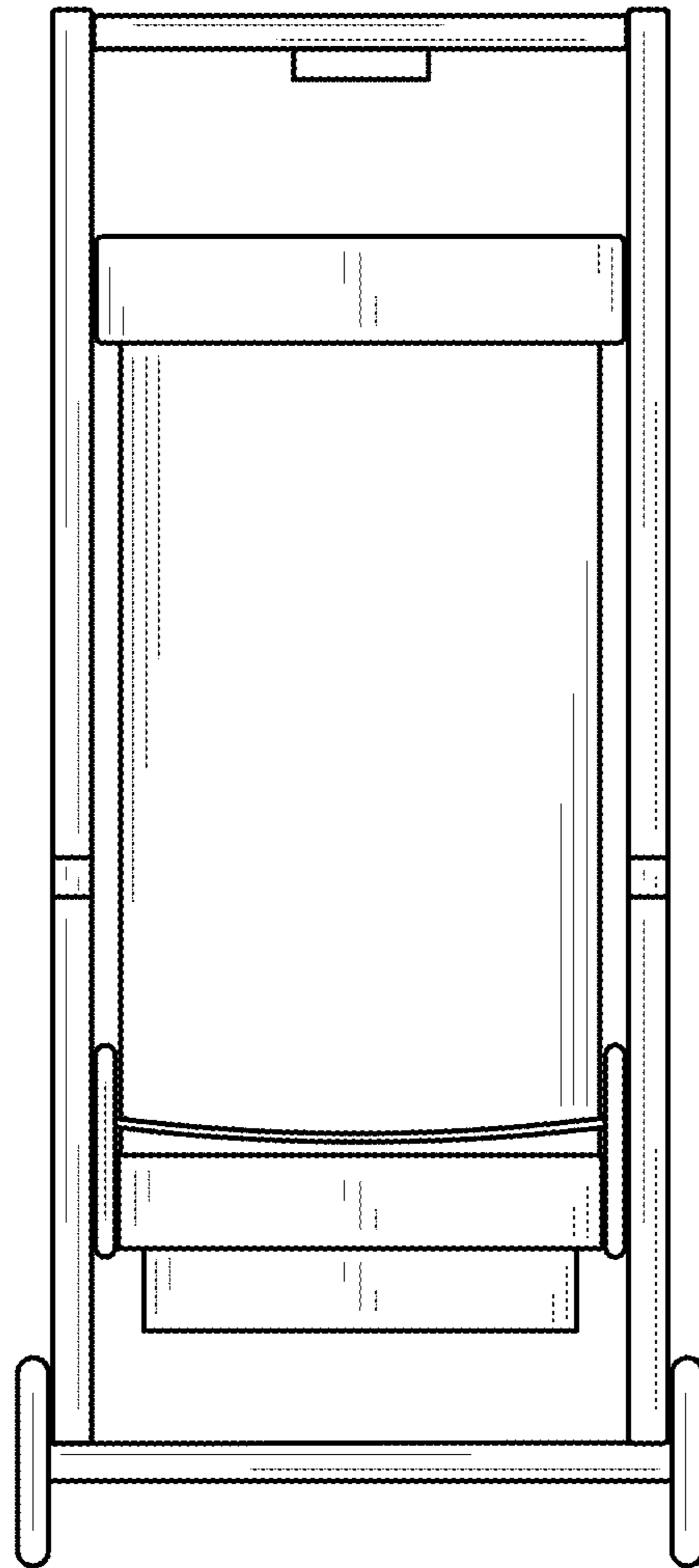


FIG. 2

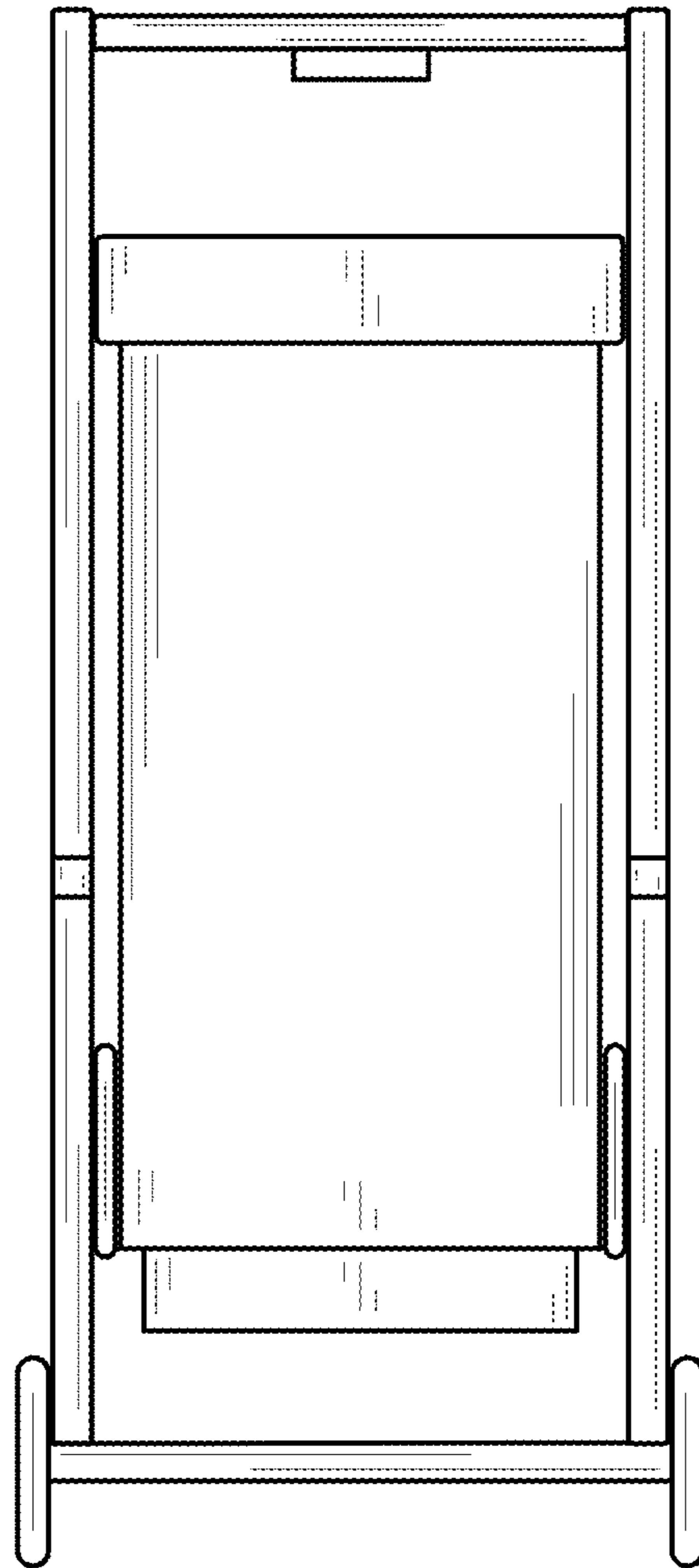


FIG. 3

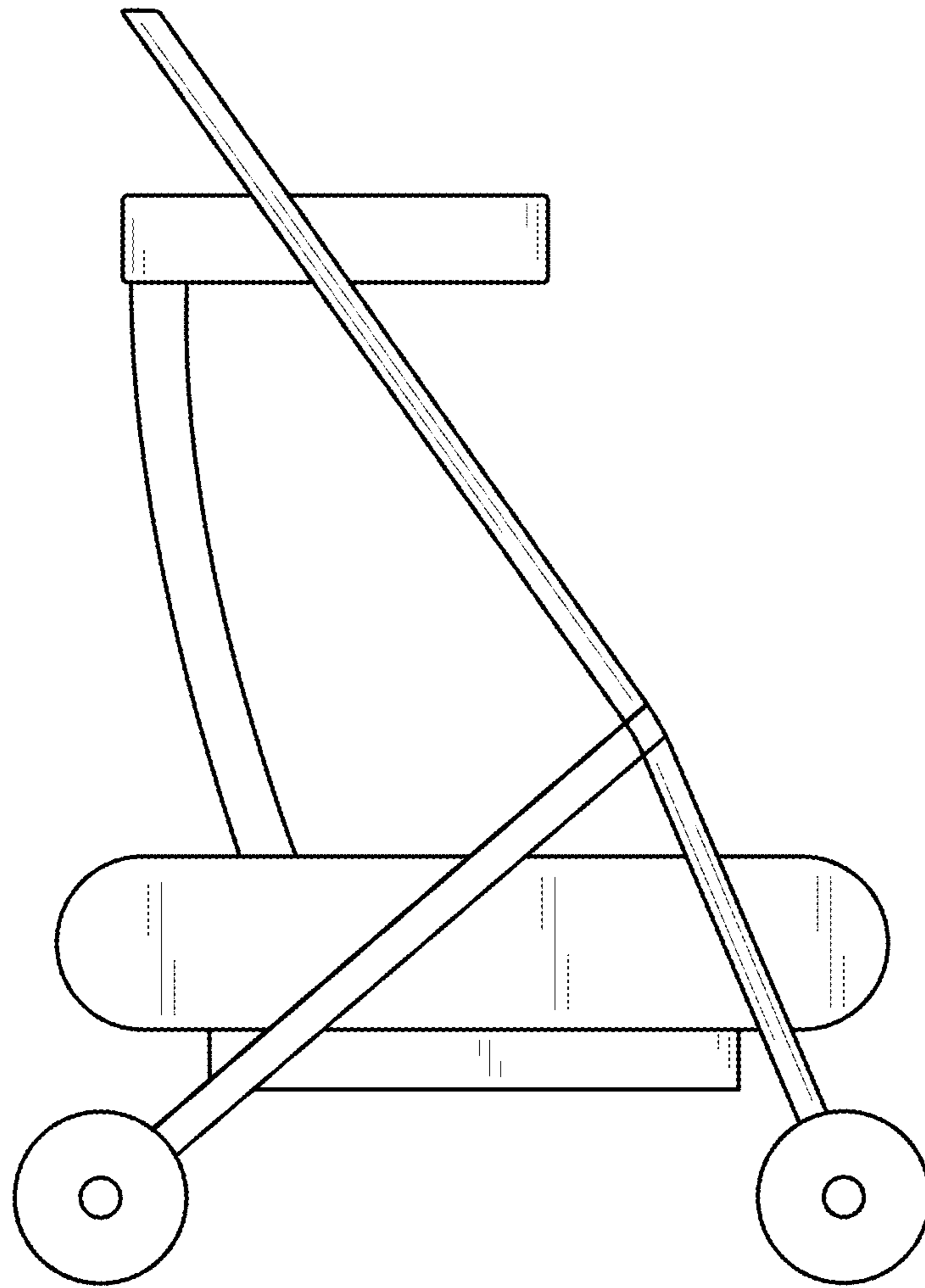


FIG. 4

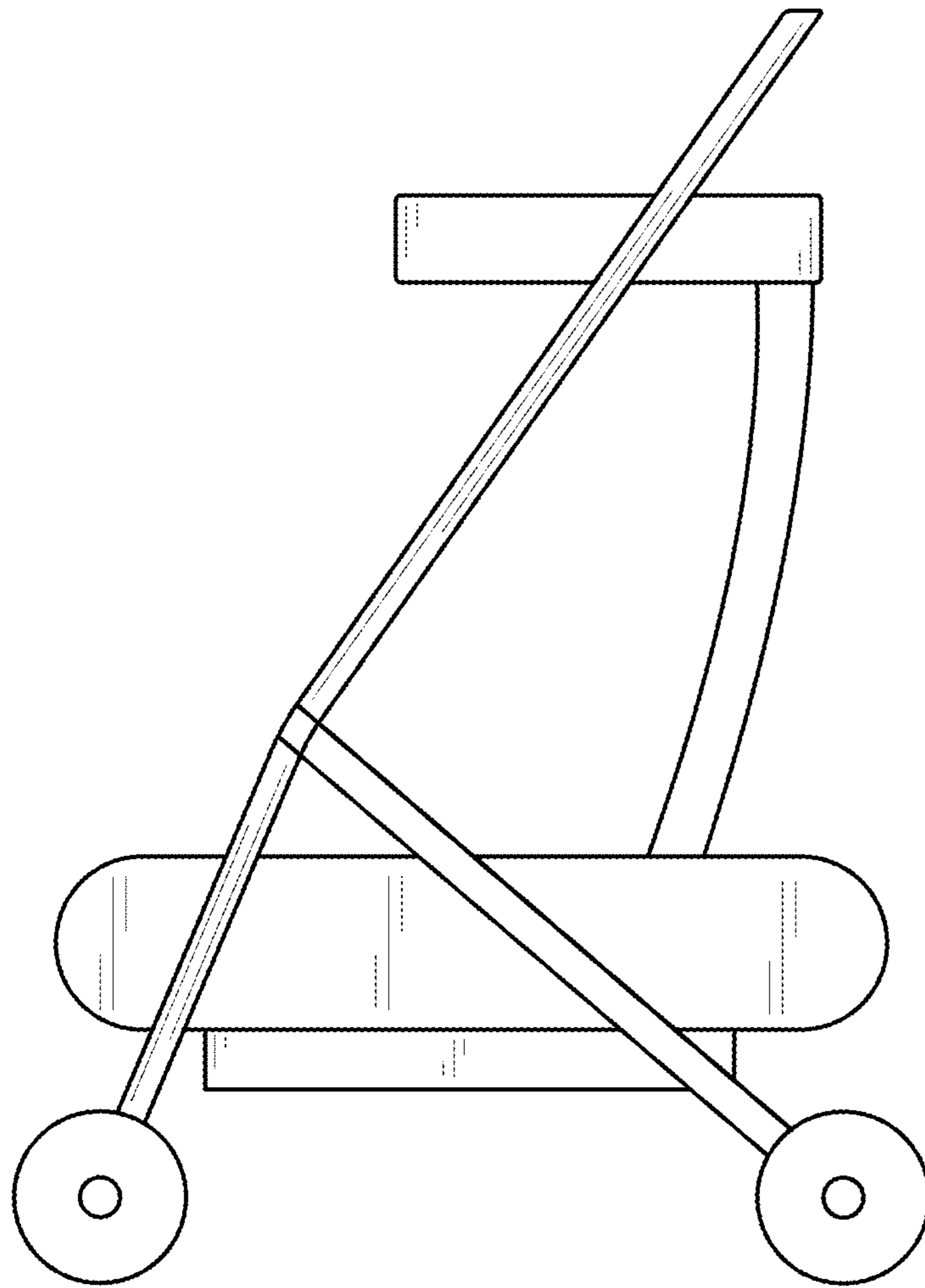


FIG. 5

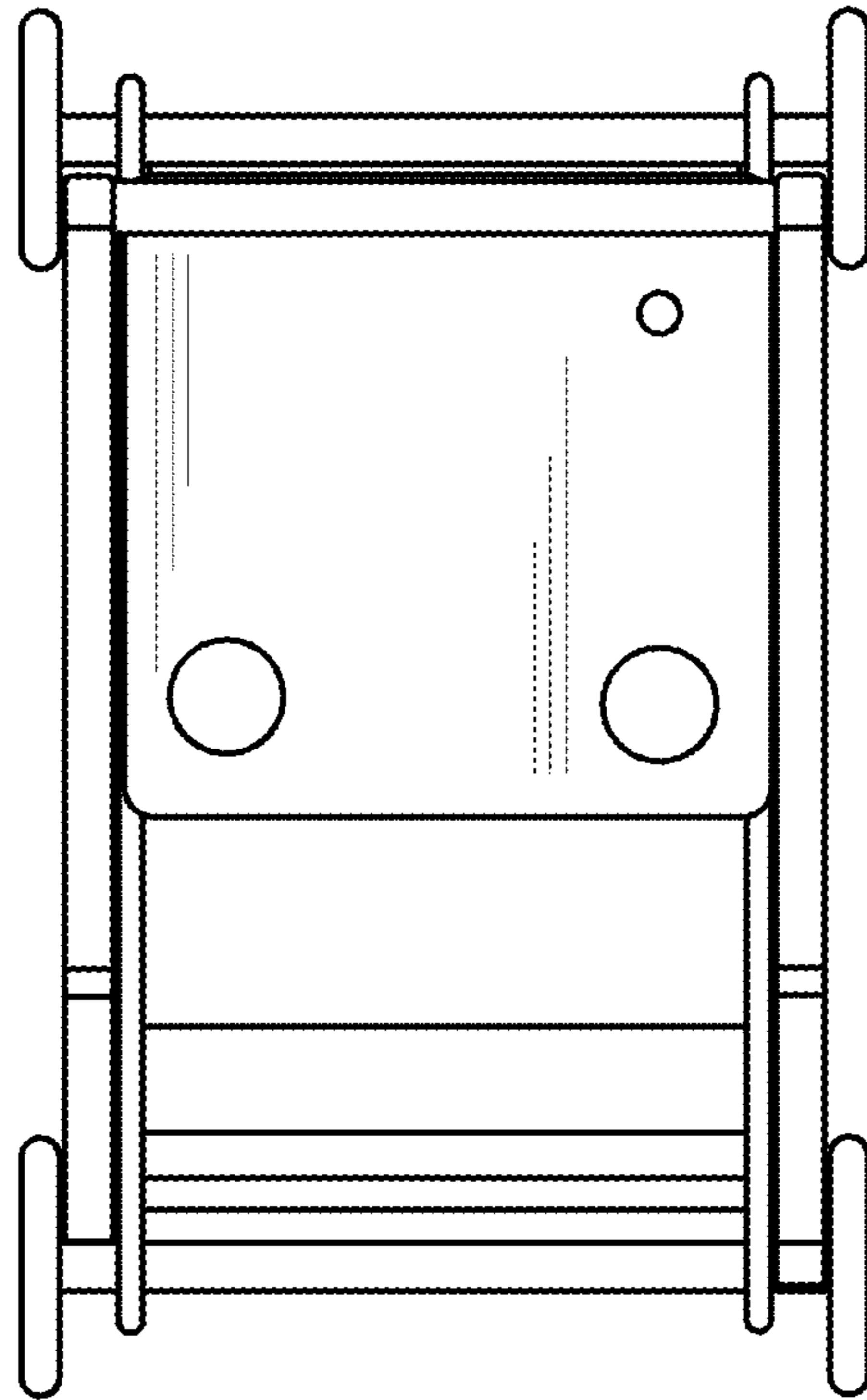


FIG. 6

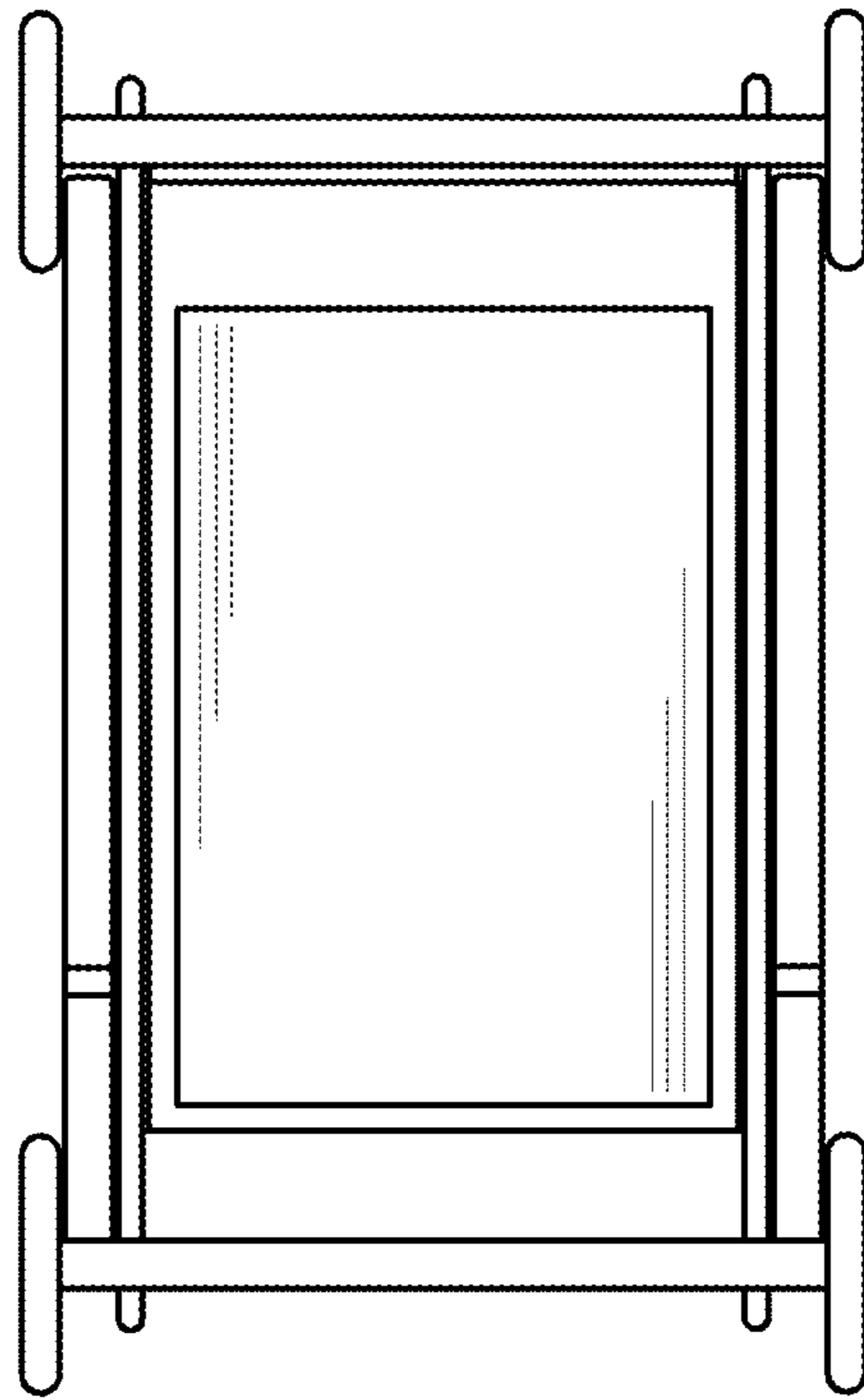


FIG. 7