



US00D968272S

(12) **United States Design Patent** (10) **Patent No.:** **US D968,272 S**
Gillam et al. (45) **Date of Patent:** **** Nov. 1, 2022**

(54) **AUTOMOBILE BODY**
(71) Applicants: **Michael C. Gillam**, Oxford, MI (US);
Deyan Ninov, Royal Oak, MI (US)
(72) Inventors: **Michael C. Gillam**, Oxford, MI (US);
Deyan Ninov, Royal Oak, MI (US)
(73) Assignee: **FCA US LLC**, Auburn Hills, MI (US)
(**) Term: **15 Years**
(21) Appl. No.: **29/746,186**

D759,544 S * 6/2016 Chung D12/98
D803,727 S * 11/2017 Noone D12/98
D805,438 S 12/2017 Scott et al.
D808,308 S 1/2018 Gillam et al.
D828,227 S * 9/2018 Ninov D12/98
D836,032 S * 12/2018 Ninov D12/98
D836,033 S * 12/2018 Ninov D12/98
D836,034 S * 12/2018 Scott D12/98
D836,035 S * 12/2018 Scott D12/98
D836,036 S 12/2018 Ninov et al.
D837,694 S * 1/2019 Ninov D12/98
D847,029 S * 4/2019 Ninov D12/98
D860,881 S 9/2019 Ninov et al.
D885,262 S 5/2020 Ninov et al.
D948,381 S * 4/2022 Owens D12/98

(22) Filed: **Aug. 12, 2020**
(51) **LOC (13) Cl.** **12-08**
(52) **U.S. Cl.**
USPC **D12/98**
(58) **Field of Classification Search**
USPC D12/86, 90-92, 164, 98; D21/424, 433,
D21/434, 533; 296/181.1, 181.5, 181.3,
296/183.1, 37.6
CPC B60R 9/06; B62D 35/00
See application file for complete search history.

* cited by examiner

Primary Examiner — Melody N Brown
(74) *Attorney, Agent, or Firm* — Ralph E. Smith

(57) **CLAIM**

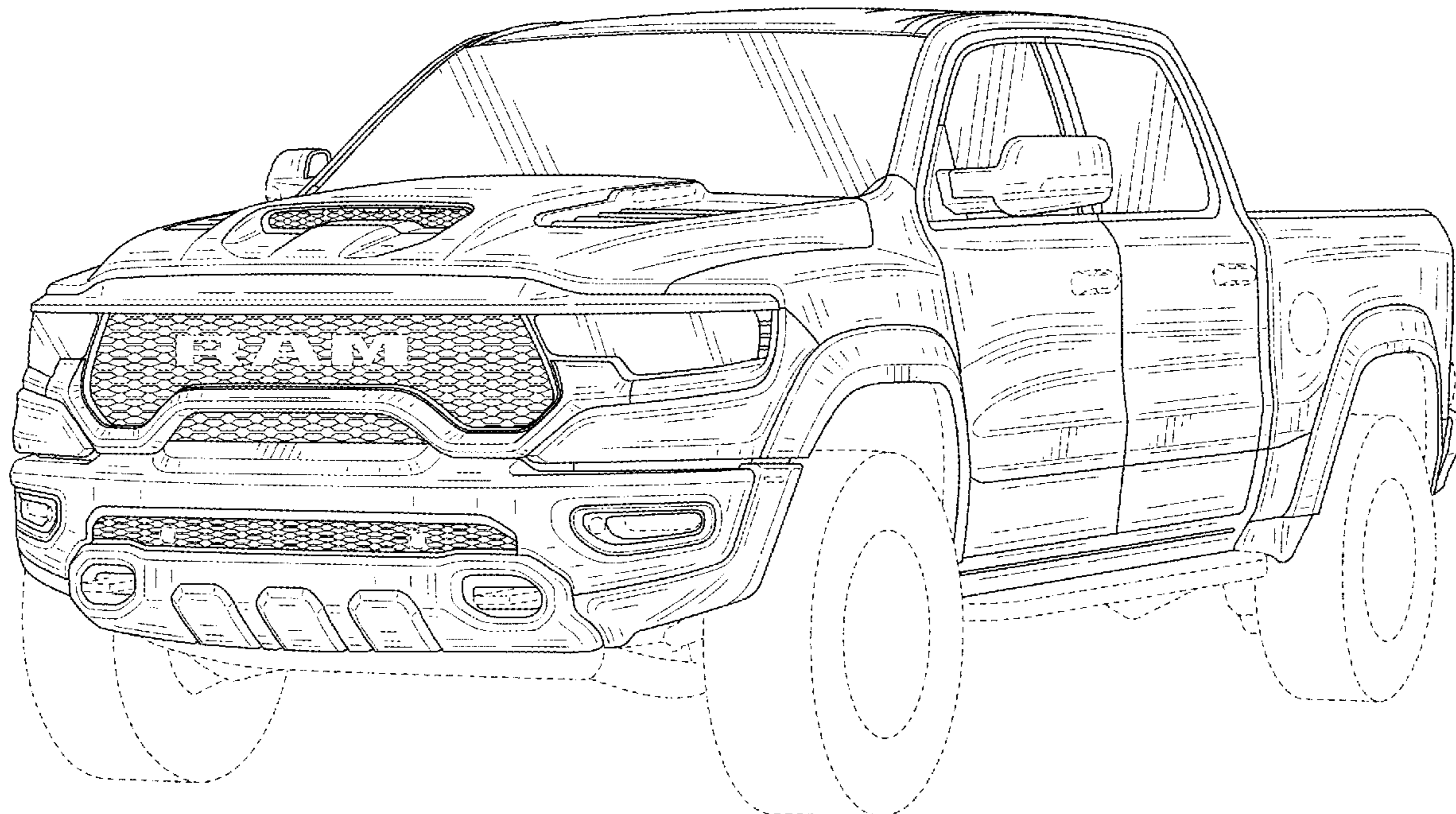
The ornamental design for an automobile body, as shown and described.

DESCRIPTION

FIG. 1 is a front and left side perspective view of an automobile body showing our new design;
FIG. 2 is a rear and left side perspective view thereof;
FIG. 3 is a front elevational view thereof;
FIG. 4 is a rear elevational view thereof;
FIG. 5 is a right side elevational view thereof;
FIG. 6 is a left side elevational view thereof; and,
FIG. 7 is a top plan view thereof.
It will be understood that the broken lines shown in the drawings illustrate portions of the automobile body that form no part of the claimed design.

(56) **References Cited**
U.S. PATENT DOCUMENTS
D586,699 S * 2/2009 Opfer D12/98
D659,053 S * 5/2012 Ware D12/98
D703,586 S * 4/2014 Platto D12/98
D723,428 S * 3/2015 Sperling D12/98
D725,001 S * 3/2015 McMahan D12/98
D732,435 S * 6/2015 Mackay D12/98
D735,082 S * 7/2015 Sperling D12/98
D742,790 S * 11/2015 Noguchi D12/98
D748,014 S * 1/2016 Ino D12/98
D748,015 S * 1/2016 Ino D12/98
D755,082 S 5/2016 Gillam et al.

1 Claim, 7 Drawing Sheets



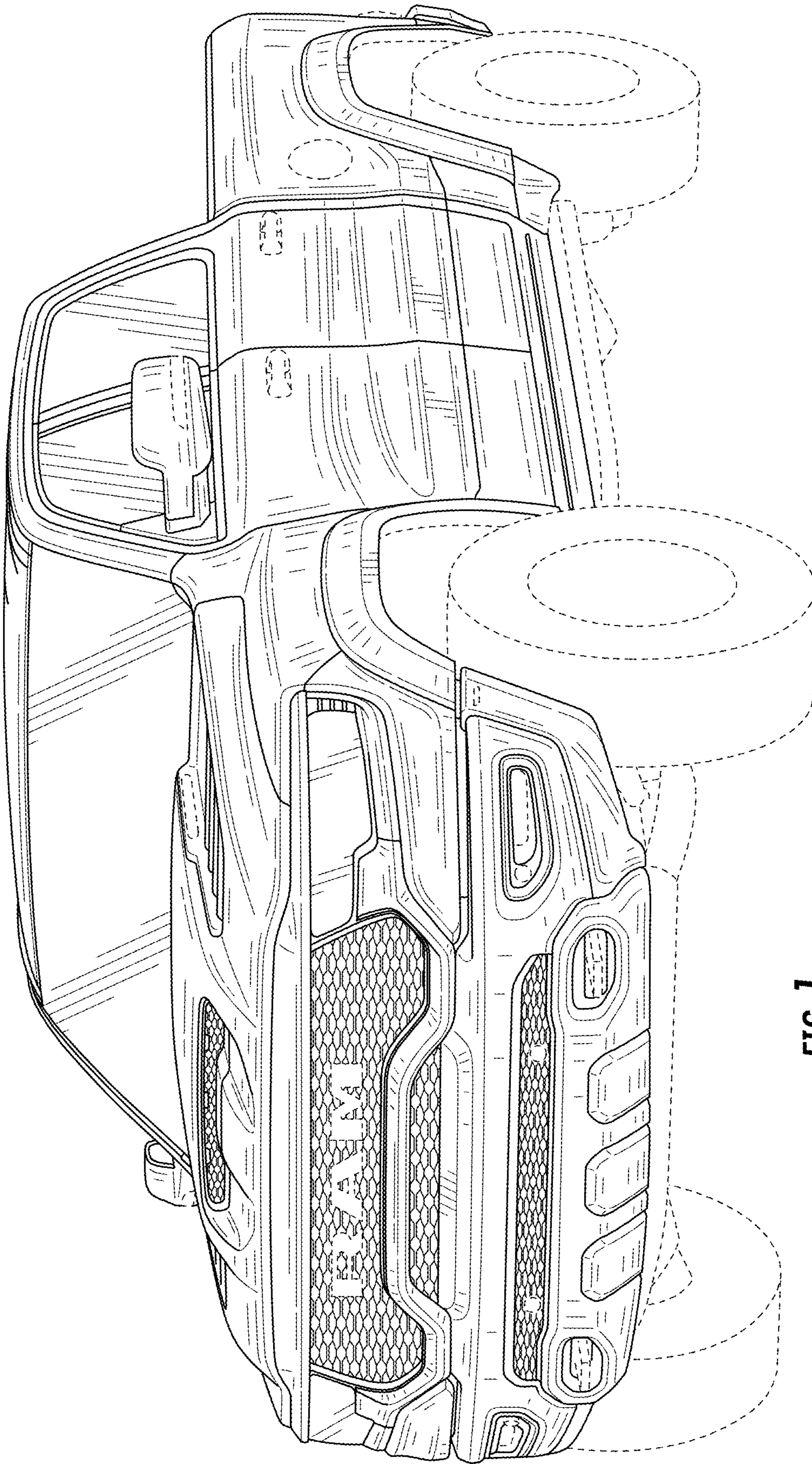


FIG. 1

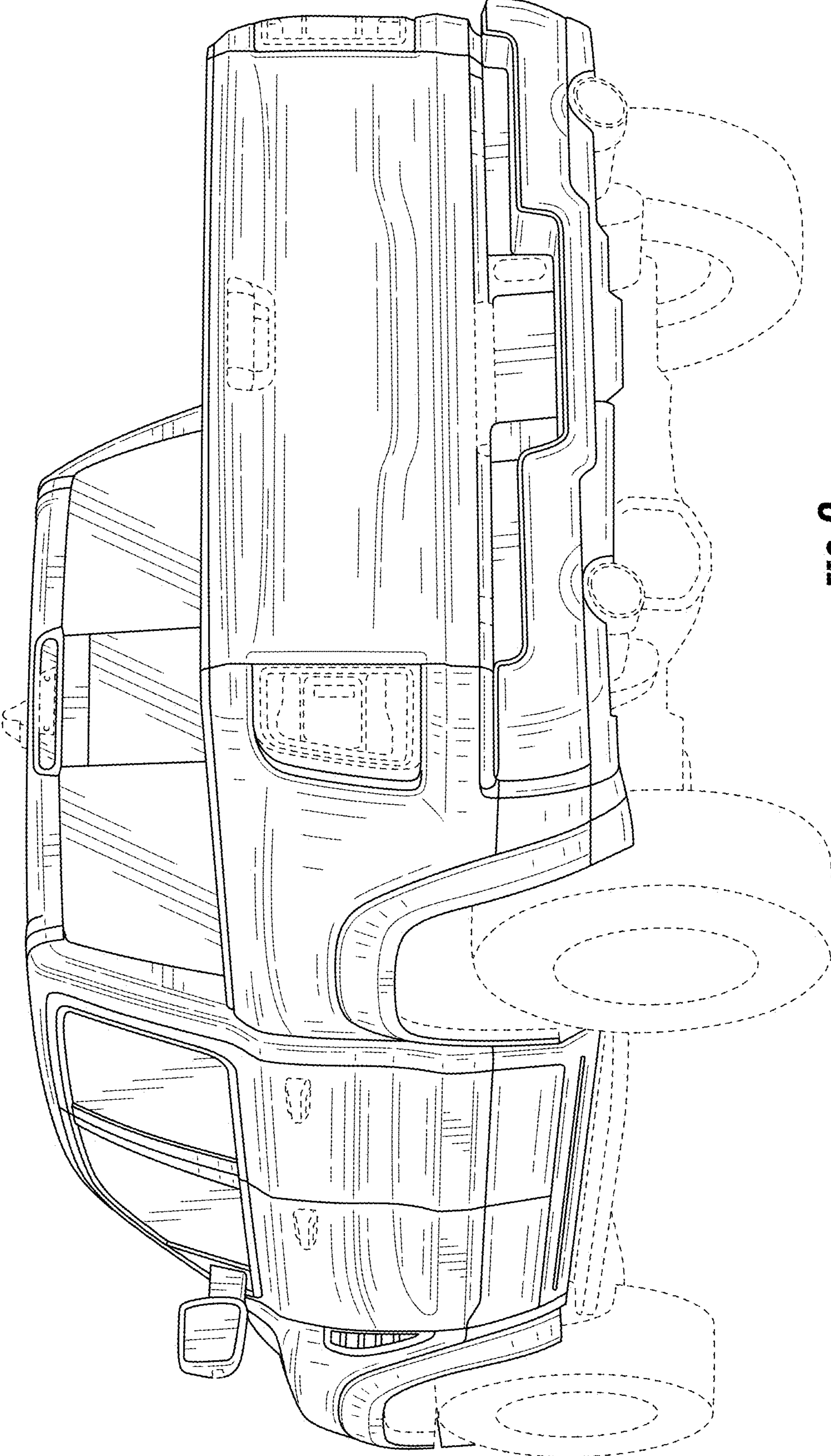


FIG. 2

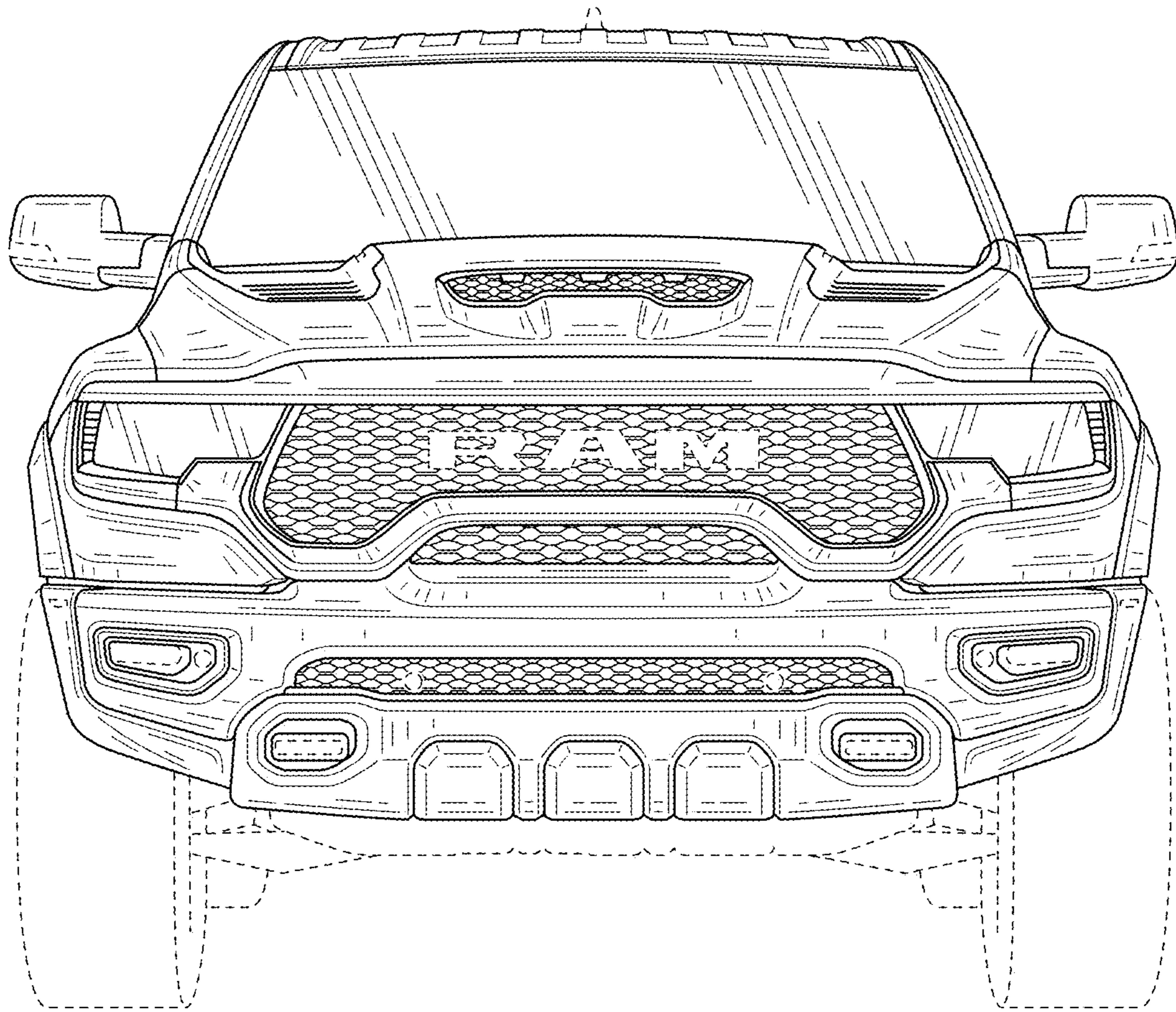


FIG. 3

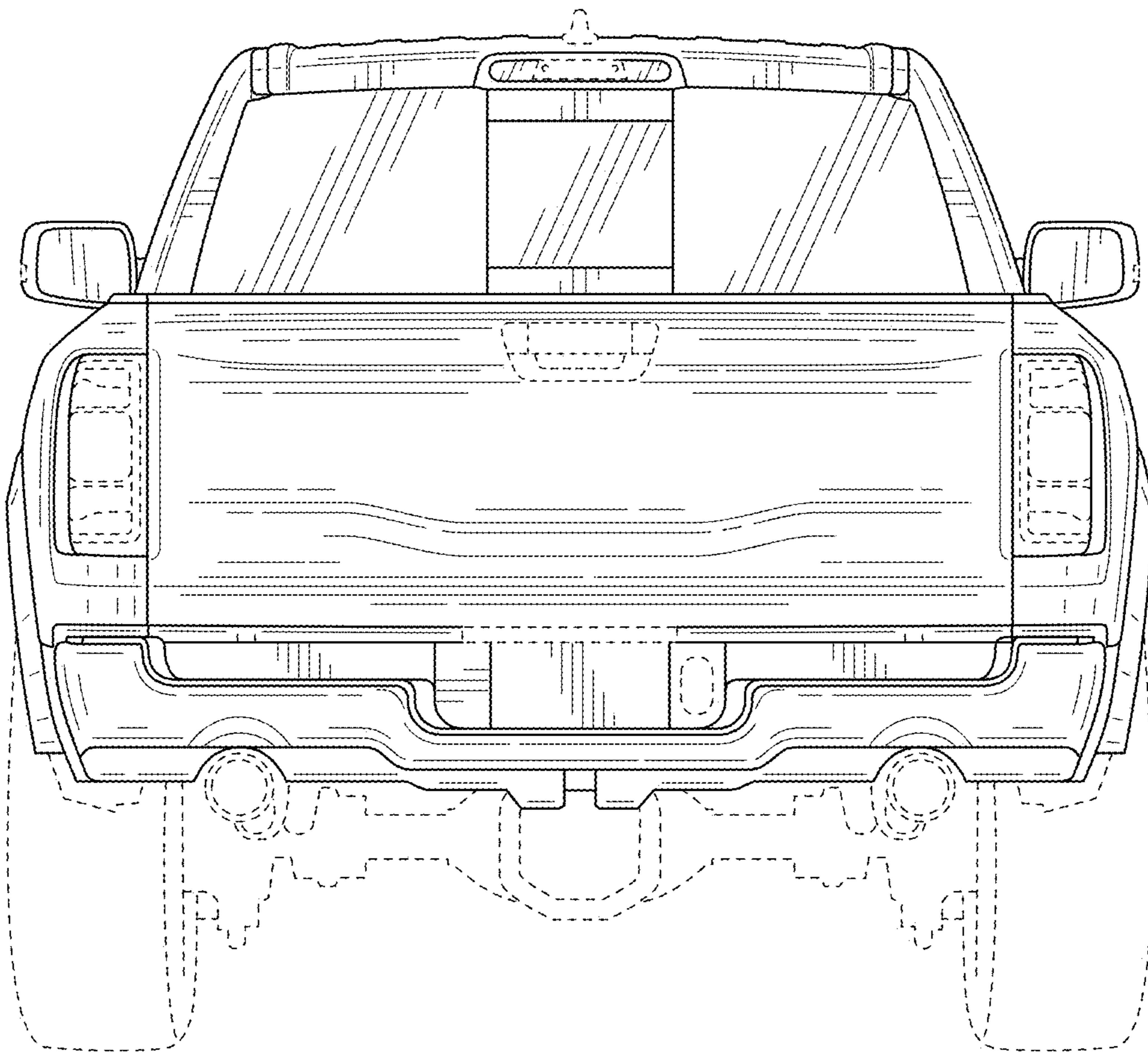


FIG. 4

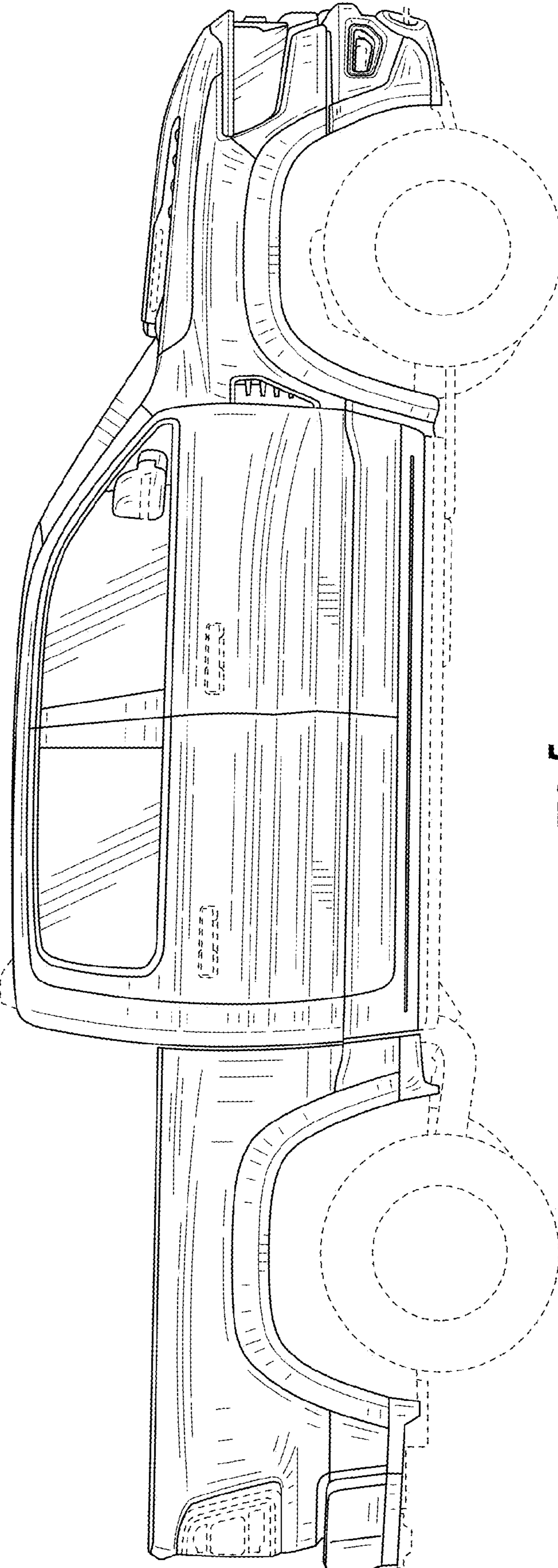


FIG. 5

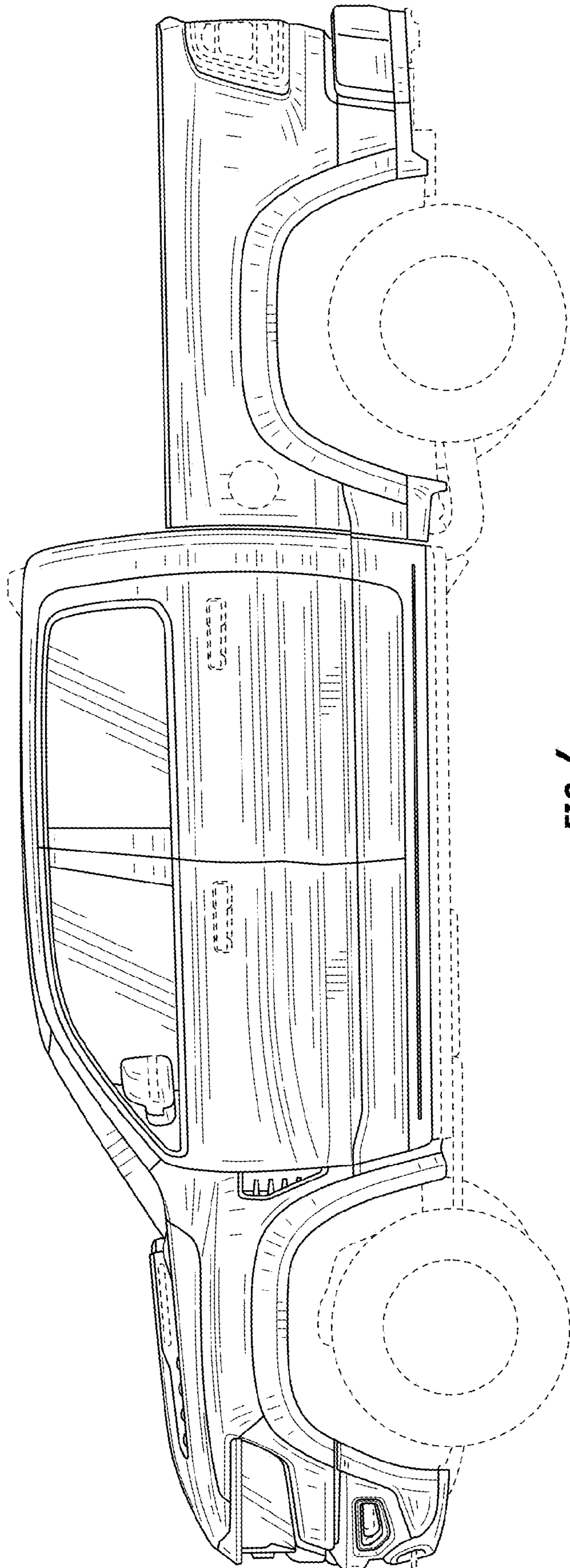


FIG. 6

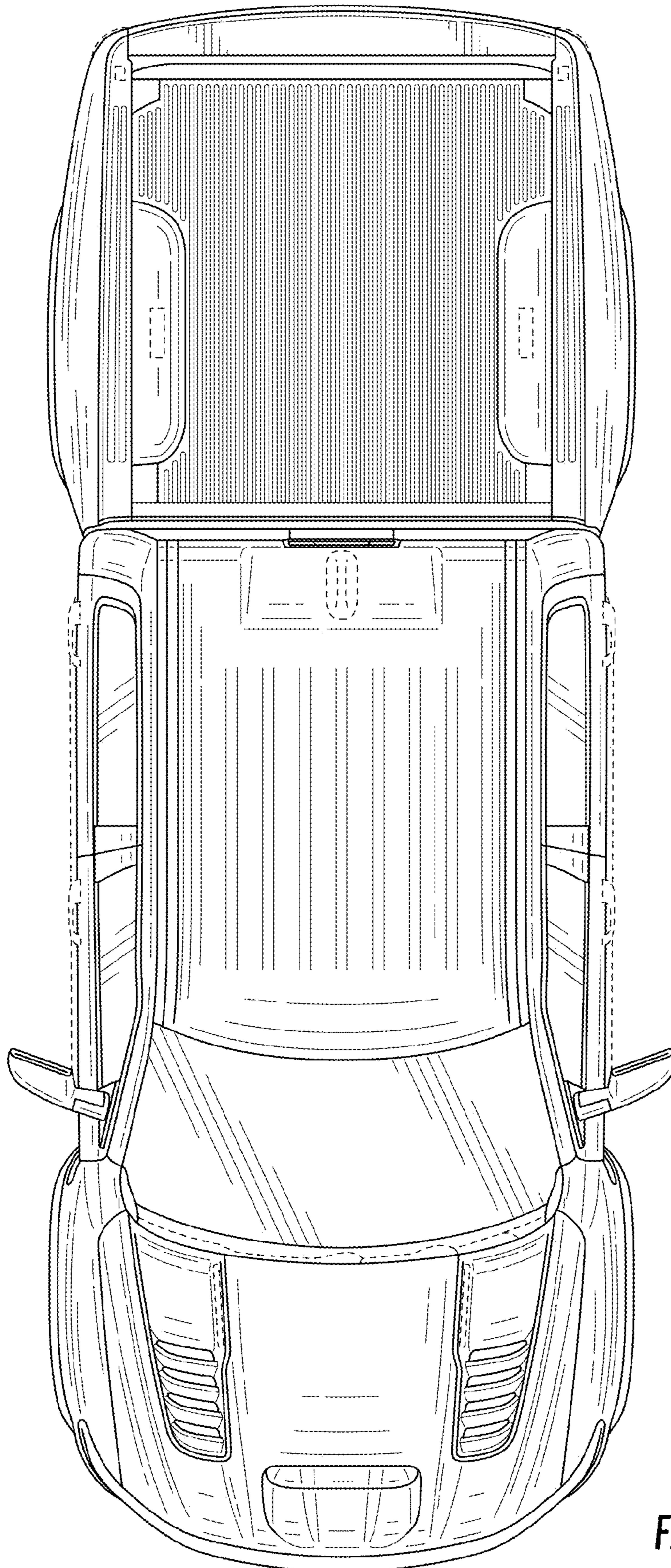


FIG. 7