



US00D968268S

(12) **United States Design Patent**
Wang et al.

(10) **Patent No.:** **US D968,268 S**
(45) **Date of Patent:** **** Nov. 1, 2022**

(54) **UTILITY VEHICLE**

(71) Applicant: **KWANG YANG MOTOR CO., LTD.**,
Kaohsiung (TW)

(72) Inventors: **Bo-Jin Wang**, Kaohsiung (TW);
Yu-Jiun Tsai, Kaohsiung (TW)

(73) Assignee: **KWANG YANG MOTOR CO., LTD.**,
Kaohsiung (TW)

(**) Term: **15 Years**

(21) Appl. No.: **29/779,282**

(22) Filed: **Apr. 19, 2021**

(30) **Foreign Application Priority Data**

Dec. 11, 2020 (TW) 109306984

(51) **LOC (13) Cl.** **12-08**

(52) **U.S. Cl.**
USPC **D12/87**

(58) **Field of Classification Search**
USPC D12/1, 14, 86, 87; D21/424, 433, 803;
D15/30

CPC B62D 23/00; B62D 21/18; B62D 24/02;
B62D 25/00; B62D 39/00; B62B 13/10;
B62B 19/04; B62C 9/00; B60K 5/12
See application file for complete search history.

(56) **References Cited**

U.S. PATENT DOCUMENTS

D433,651 S	*	11/2000	Matsumura	D12/1
D497,324 S	*	10/2004	Chestnut	D12/16
D606,900 S	*	12/2009	Flores	D12/87
D633,006 S	*	2/2011	Sanschagrin	D12/1
D642,493 S	*	8/2011	Goebert	D12/87
D650,311 S	*	12/2011	Bracy	D12/87
D660,746 S	*	5/2012	Bracy	D12/87
D670,198 S	*	11/2012	Li	D12/14

D675,960 S	*	2/2013	Hashimoto	D12/87
D682,738 S	*	5/2013	Li	D12/14
D711,778 S	*	8/2014	Chun	D12/14
D913,847 S	*	3/2021	Hashimoto	D12/87
D957,290 S	*	7/2022	Nolte	D12/87

FOREIGN PATENT DOCUMENTS

CN	202030042792	*	9/2020
CN	202130157508	*	6/2021
CN	202130157080.2	*	9/2021

(Continued)

OTHER PUBLICATIONS

KYMCO, 2022 UXV 450i Platform, published Jun. 23, 2021[retrieved on Aug. 5, 2022]. Retrieved from the internet:<URL:https://kymcousa.com/2021-side-x-sides/2021-uxv-450i-le/> (Year: 2021).*

(Continued)

Primary Examiner — Joseph Kukella

Assistant Examiner — Lavon M. Amerson

(74) *Attorney, Agent, or Firm* — Leong C. Lei

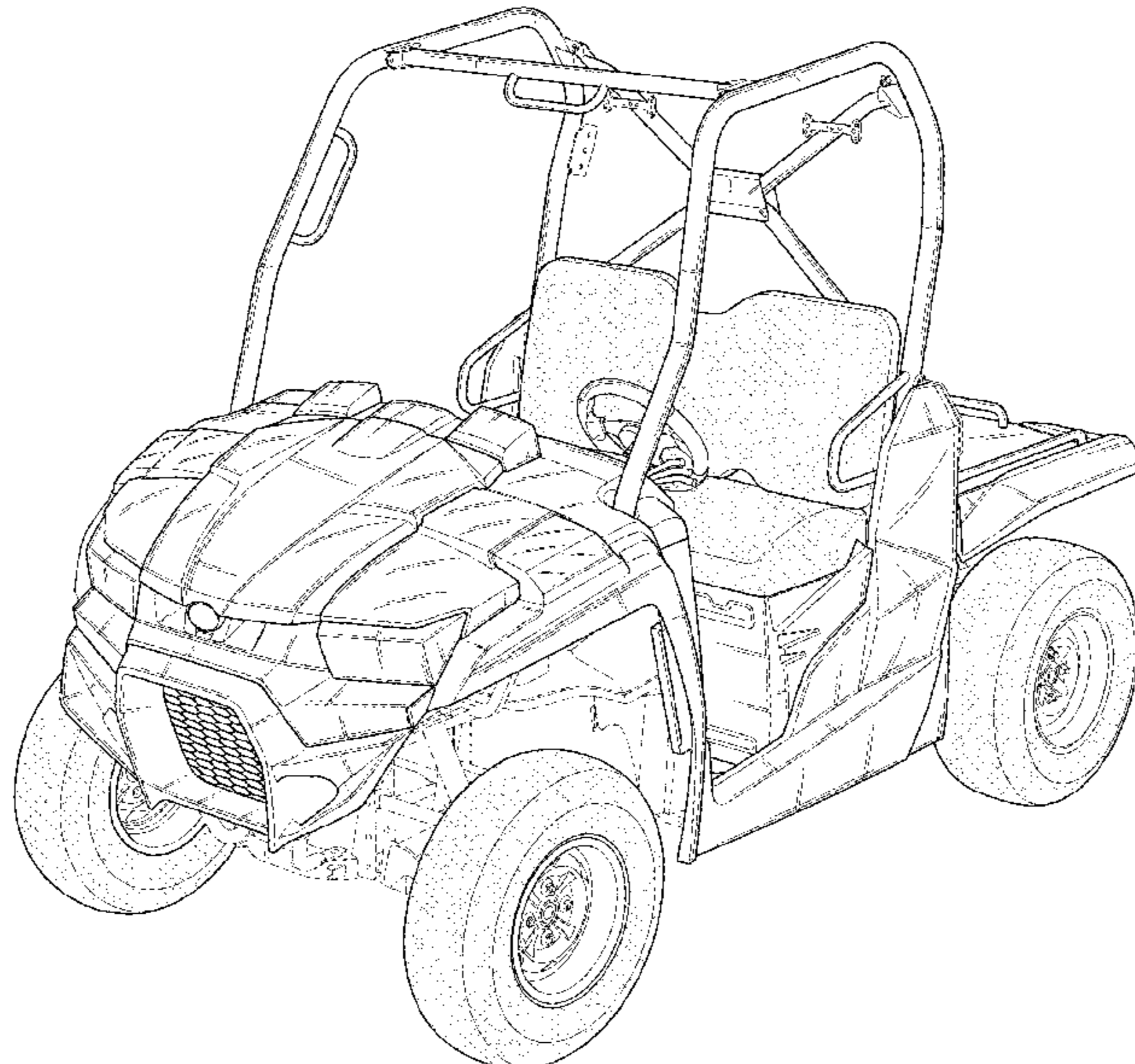
(57) **CLAIM**

The ornamental design for a utility vehicle, as shown and described.

DESCRIPTION

FIG. 1 is a perspective view of a utility vehicle showing our new design;
FIG. 2 is a front elevational view thereof;
FIG. 3 is a rear elevational view thereof;
FIG. 4 is a left side elevational view thereof;
FIG. 5 is a right side elevational view thereof;
FIG. 6 is a top plan view thereof; and,
FIG. 7 is a bottom plan view thereof.
The portions shown in broken lines form no part of the claimed design.

1 Claim, 7 Drawing Sheets



(56)

References Cited

FOREIGN PATENT DOCUMENTS

EM	008472070-0001	*	3/2021
GB	8209130000-1000	*	3/2020
GB	8209130000-4000	*	3/2020

OTHER PUBLICATIONS

Can-Am, 2023 Defender side by side, published Apr. 13, 2022[retrieved on Aug. 5, 2022]. Retrieved from the internet:<<https://can-am.brp.com/off-road/us/en/models/side-by-side-vehicles/defender.html>> (Year: 2022).*

Kawasaki, Mule SX, published Mar. 20, 2020[retrieved on Aug. 8, 2022]. Retrieved from the internet: <https://www.kawasaki.com/en-us/side-x-side/mule/2-passenger/mule-sx?cm_re=GLOBALNAV--PRODUCTGROUPLIST--VEHICLE> (Year: 2020).*

* cited by examiner

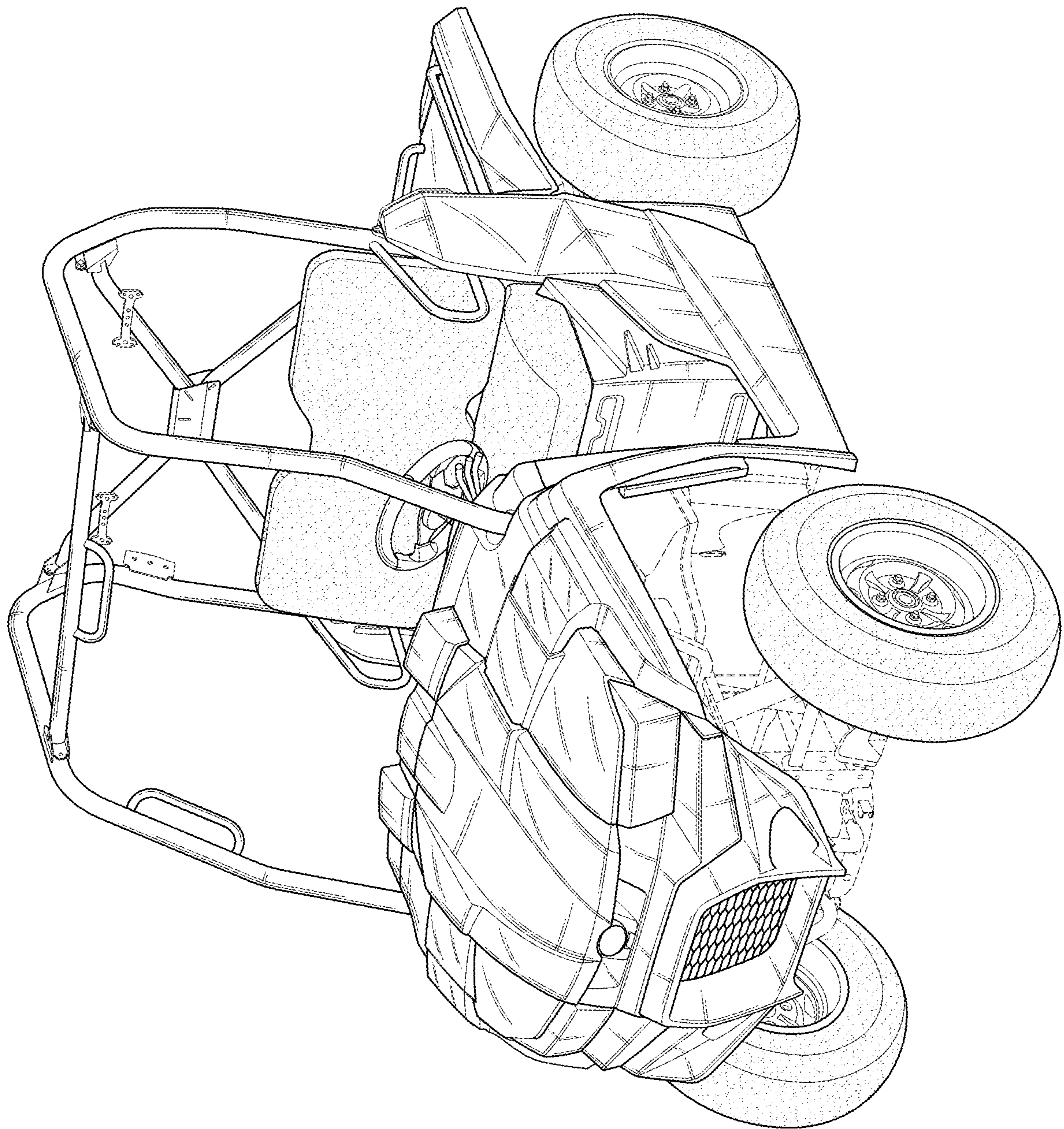


FIG. 1

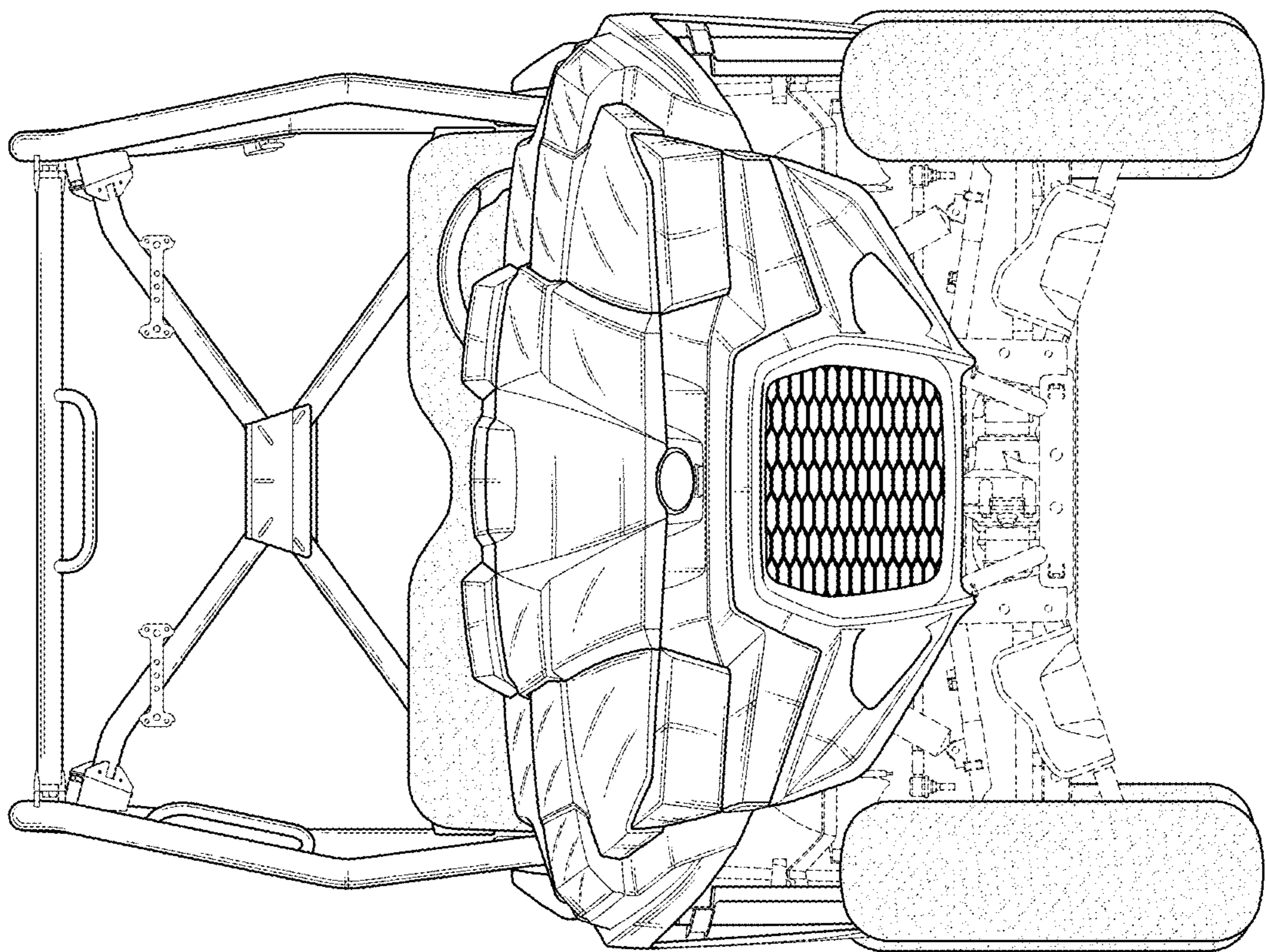


FIG. 2

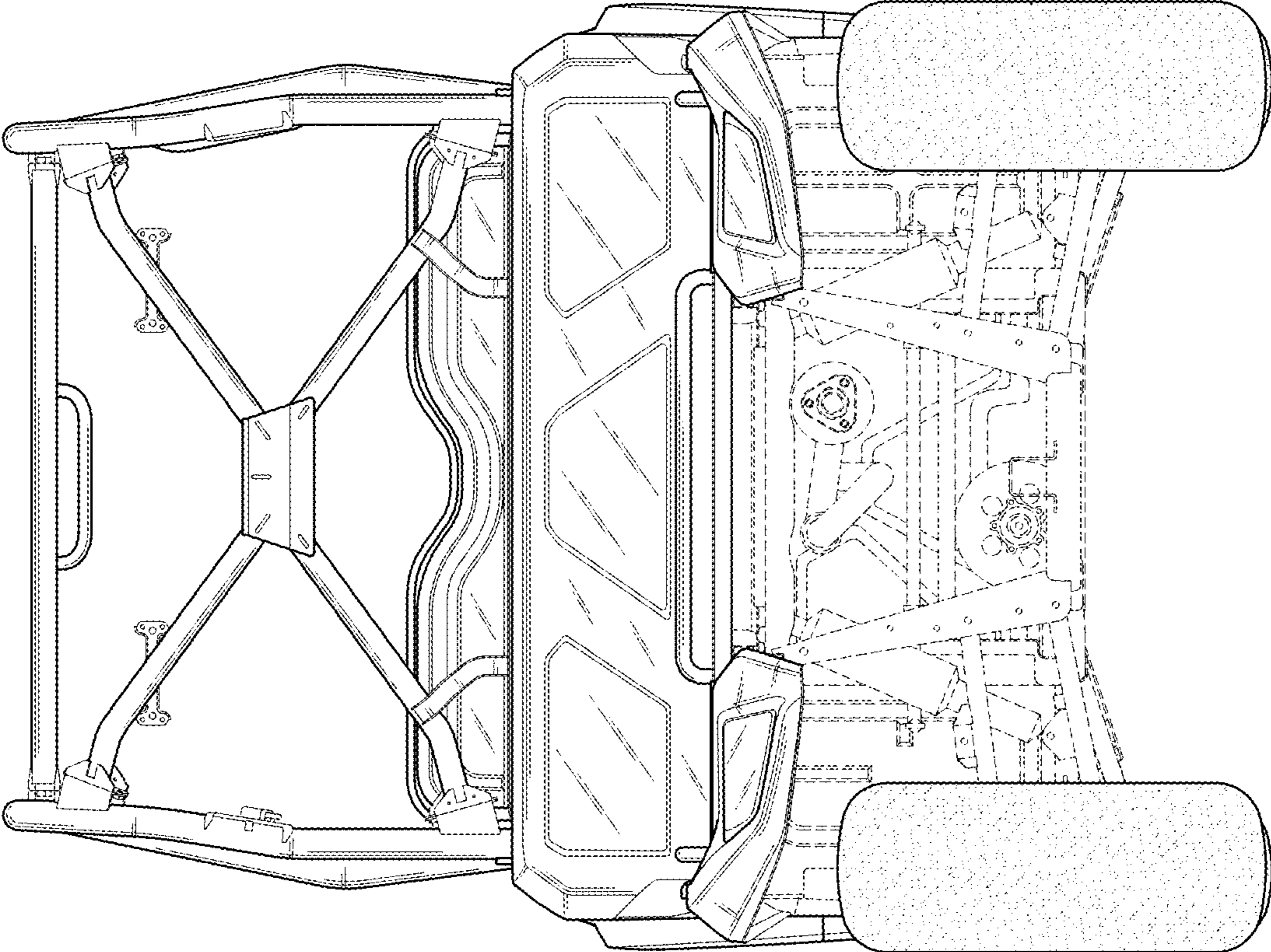


FIG. 3

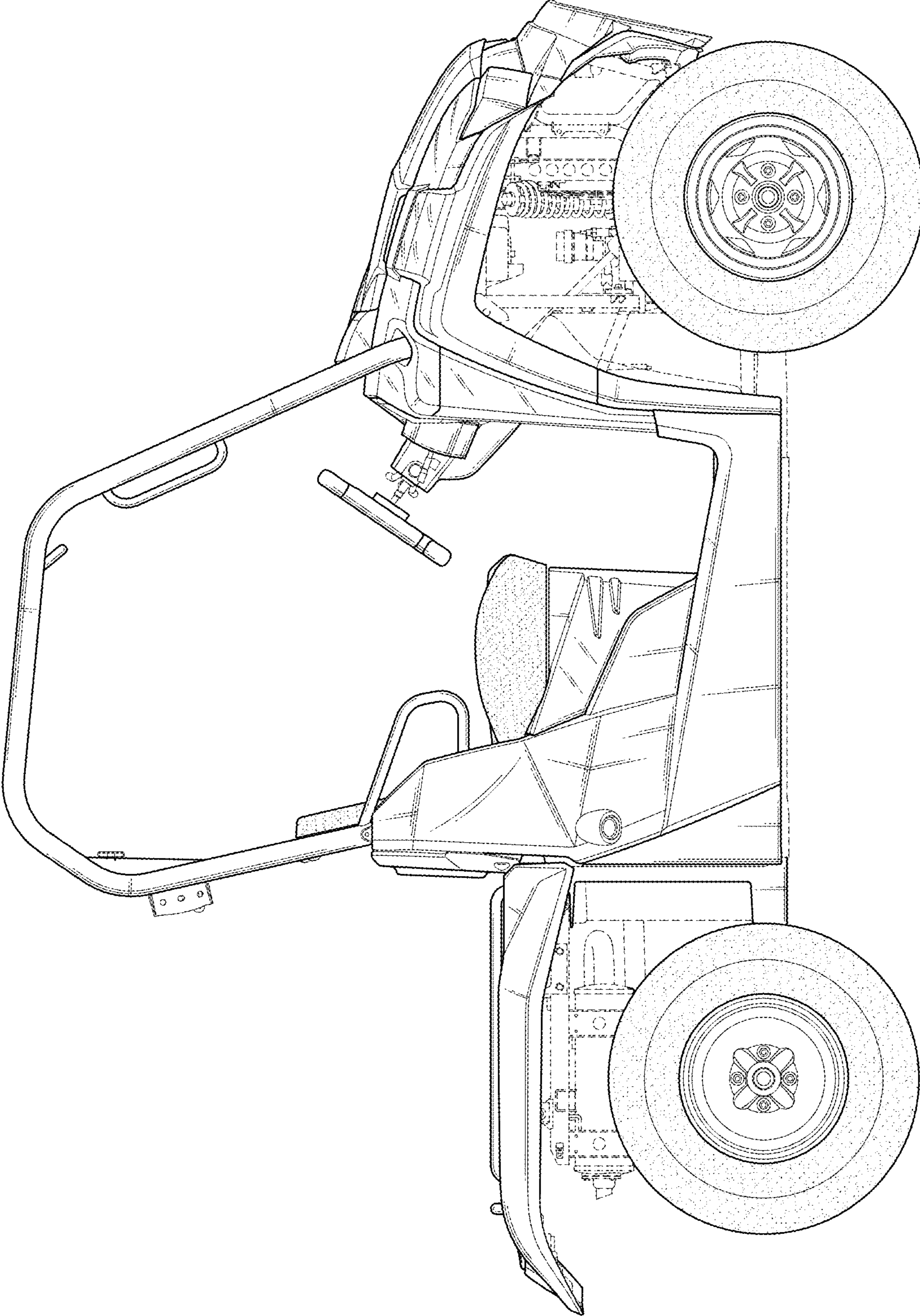


FIG. 4

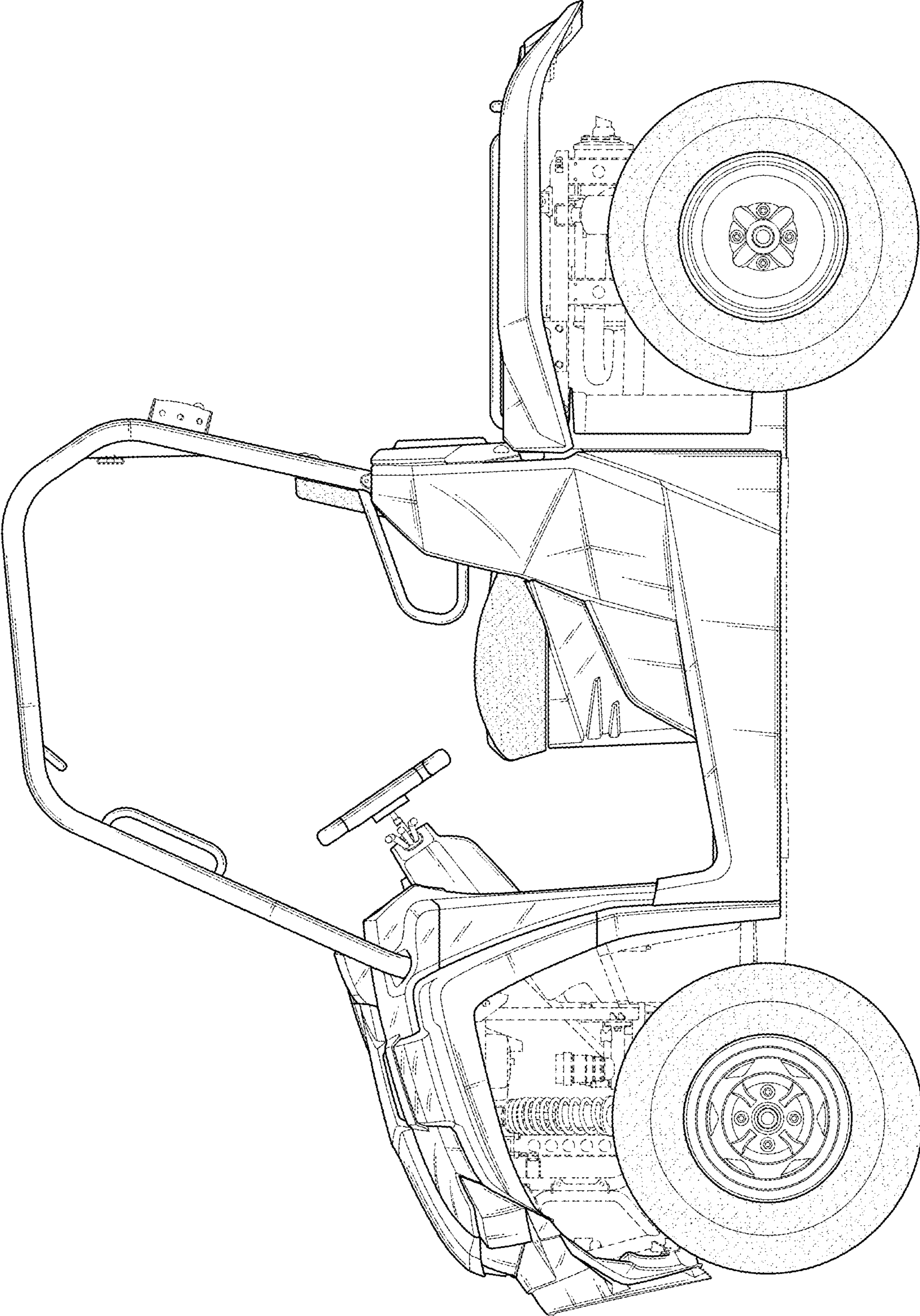


FIG. 5

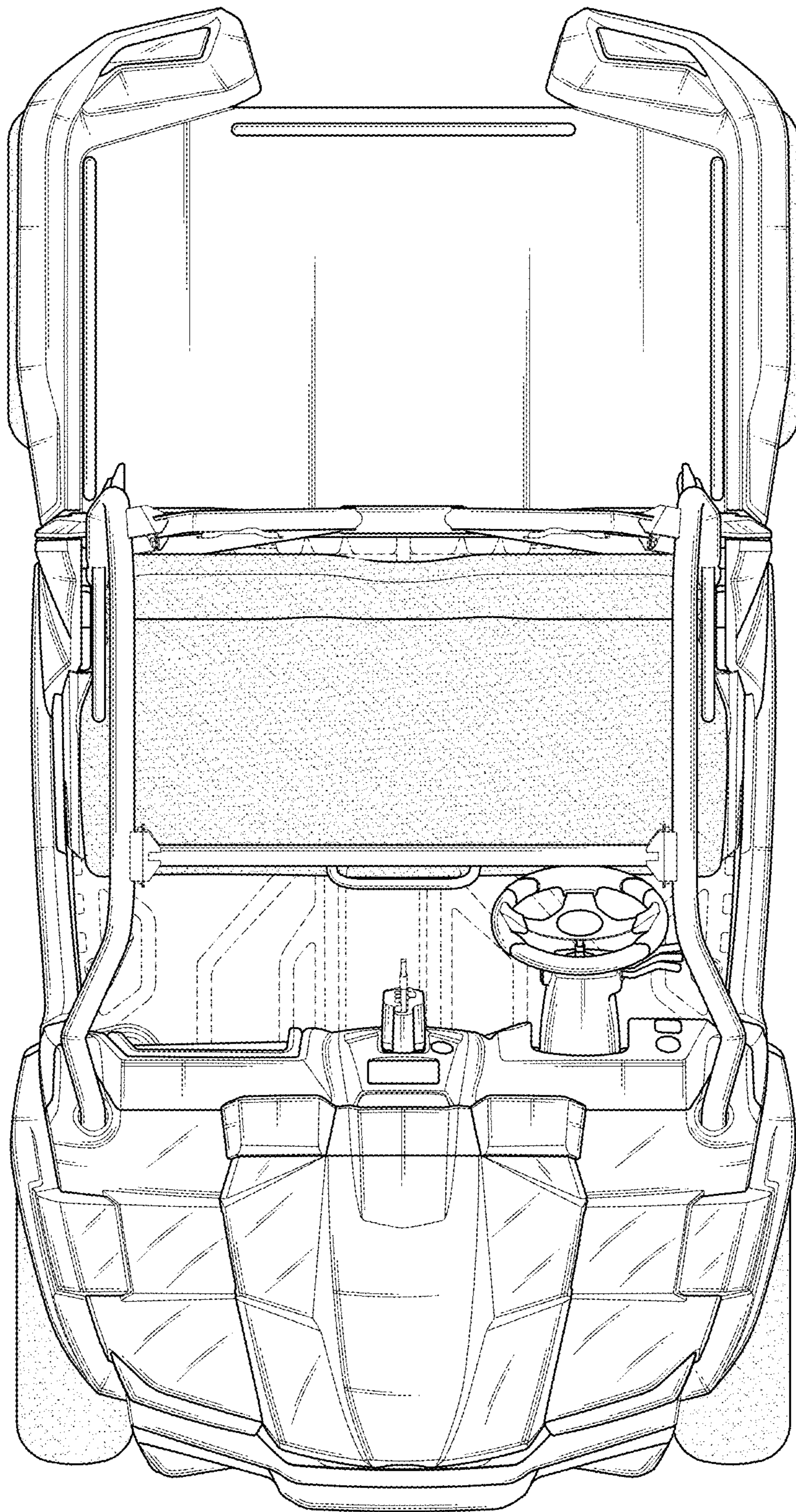


FIG. 6

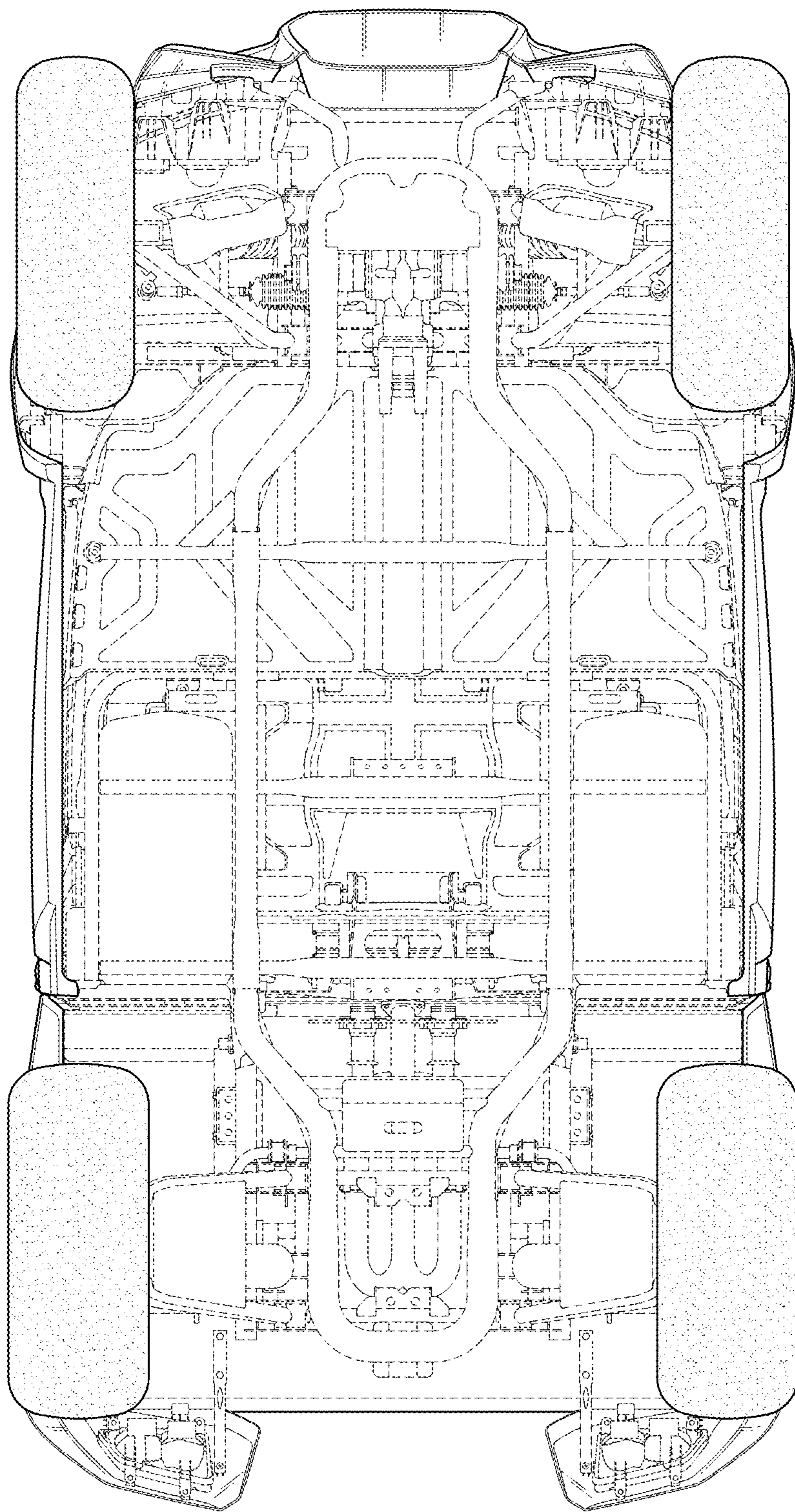


FIG. 7