



US00D968266S

(12) **United States Design Patent** (10) **Patent No.:** **US D968,266 S**
Steininger (45) **Date of Patent:** **** Nov. 1, 2022**

(54) **CAP FOR A RAIL INSULATOR**

FOREIGN PATENT DOCUMENTS

(71) Applicant: **Richard Steininger**, North Jackson, OH (US)
(72) Inventor: **Richard Steininger**, North Jackson, OH (US)

DE	4207622 A1	9/1993
GB	779450 A	7/1957
GB	1003637 A	9/1965
GB	2276498 A	9/1994
GB	2276499 A	9/1994
GB	2412018 A	9/2005

(**) Term: **15 Years**

OTHER PUBLICATIONS

(21) Appl. No.: **29/716,729**
(22) Filed: **Dec. 11, 2019**
(51) **LOC (13) Cl.** **12-03**
(52) **U.S. Cl.**
USPC **D12/51**
(58) **Field of Classification Search**
USPC D12/51, 50, 49, 48, 47; D8/352, 349, D8/355, 363, 375, 380
CPC B60M 1/307; B60M 1/00; B60M 1/30; B60M 1/04; B60M 1/18
See application file for complete search history.

www.alliedinsulators.com/products/railways/conductor-rail-in . . . ,
“Conductor Rail Insulators”, Allied Insulators, Sep. 16, 2019, 3 pages.

* cited by examiner

Primary Examiner — Ania Aman
(74) *Attorney, Agent, or Firm* — Fay Sharpe LLP

(56) **References Cited**

U.S. PATENT DOCUMENTS

2,502,756 A *	4/1950	Schmid	B60M 1/307
				191/32
3,757,059 A *	9/1973	Falkiner-Nuttall	B60M 1/30
				191/29 R
4,559,413 A *	12/1985	Logstrup	B60M 1/307
				174/149 B
7,703,589 B2	4/2010	Kalitzki		
7,926,634 B1 *	4/2011	Morales	B60M 1/04
				191/29 R
D753,546 S *	4/2016	Gotlund	D12/47
D753,547 S *	4/2016	Gotlund	D12/47
D762,520 S *	8/2016	Gotlund	D12/47
D762,521 S *	8/2016	Gotlund	D12/47
D897,897 S *	10/2020	Morales	D12/51

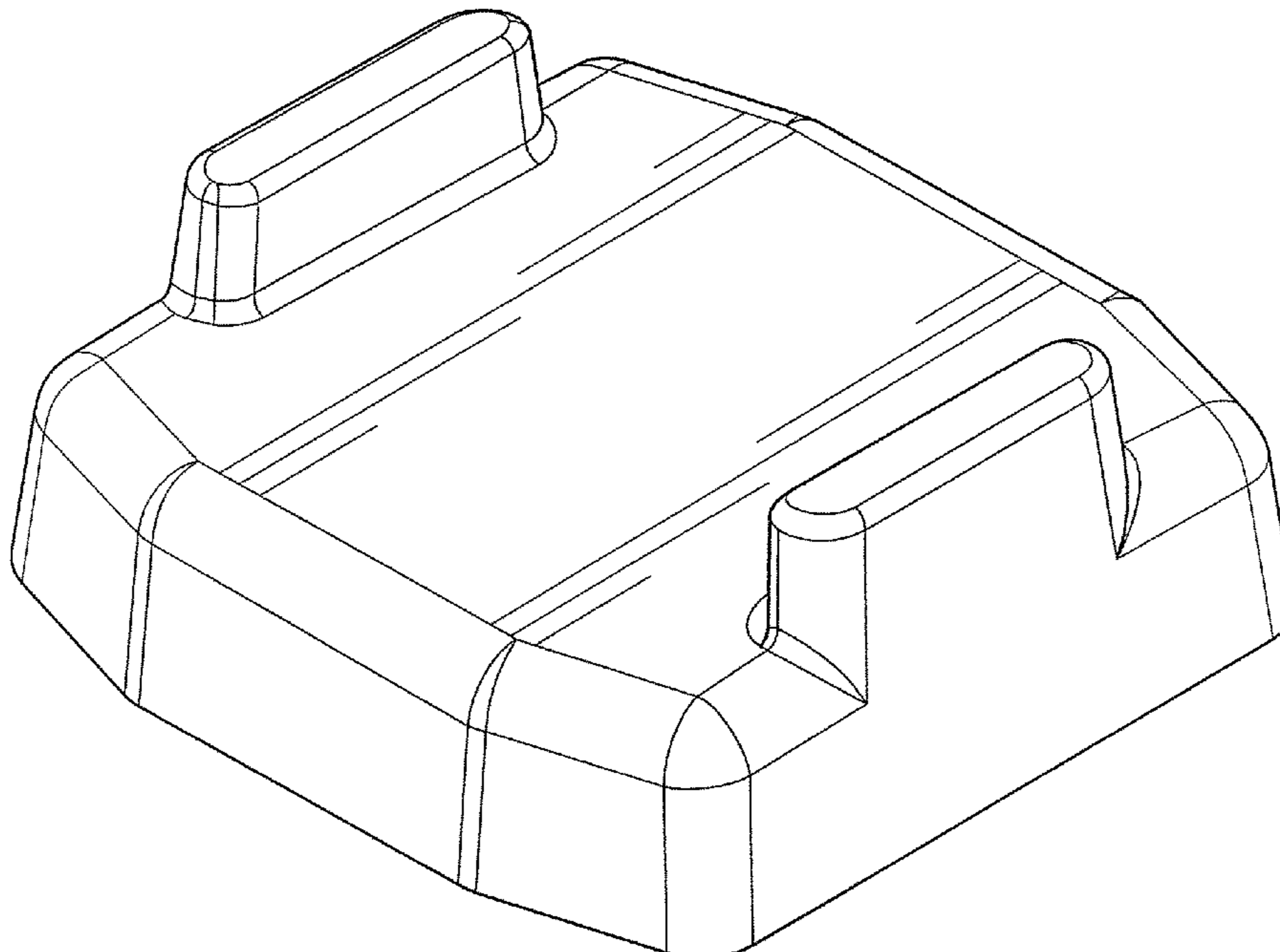
(57) **CLAIM**

The ornamental design for a cap for a rail insulator, as shown and described.

DESCRIPTION

FIG. 1 is a perspective view of a cap for a rail insulator showing my new design;
FIG. 2 is a top plan view thereof;
FIG. 3 is a bottom plan view thereof;
FIG. 4 is a right side elevational view thereof, with a left side elevational view being a mirror image thereof; and,
FIG. 5 is a front elevational view thereof, with a rear elevational view being a mirror image thereof.
In the drawings, the broken lines depict unclaimed subject matter only and form no part of the claimed design.

1 Claim, 4 Drawing Sheets



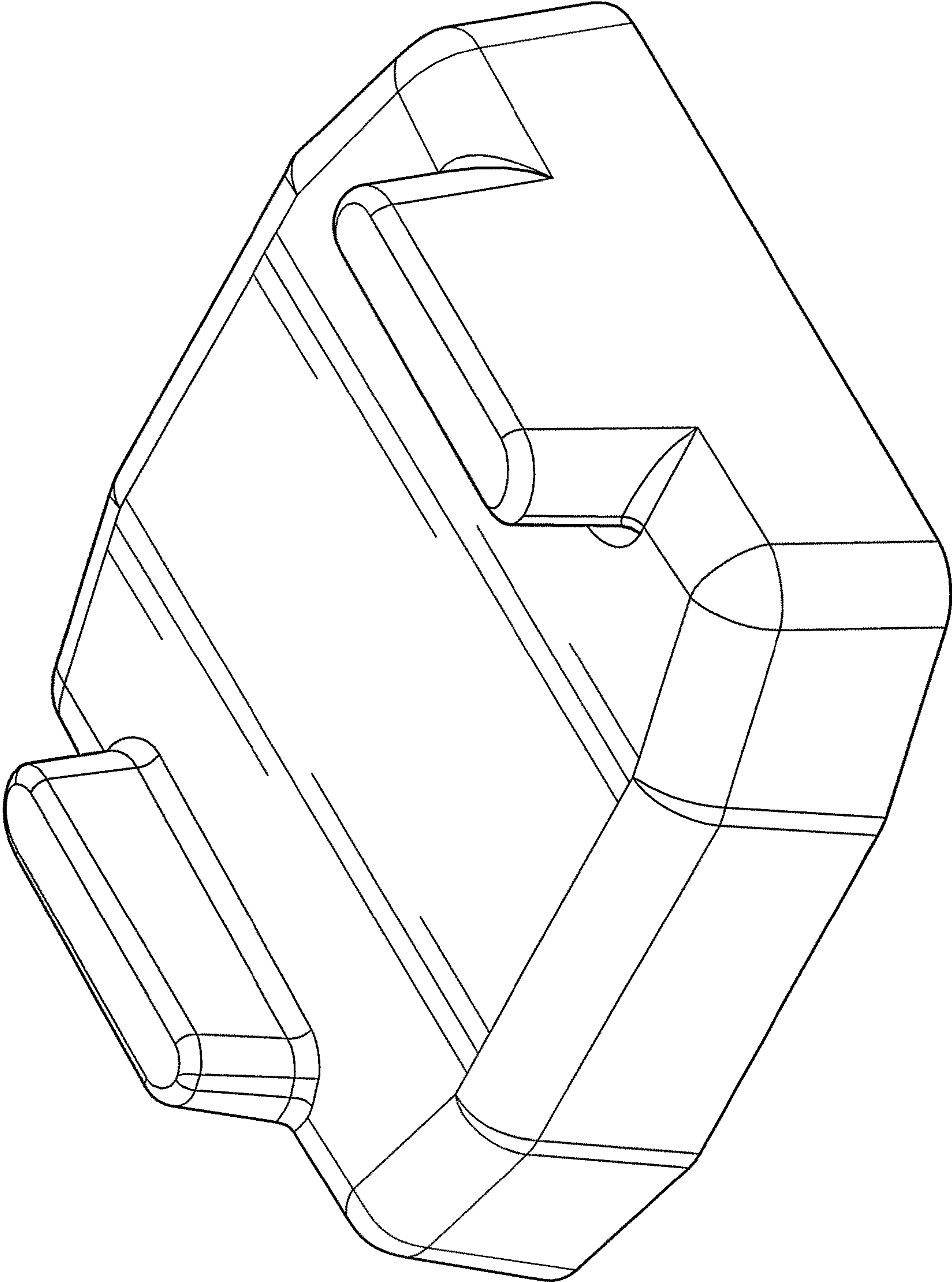


FIG. 1

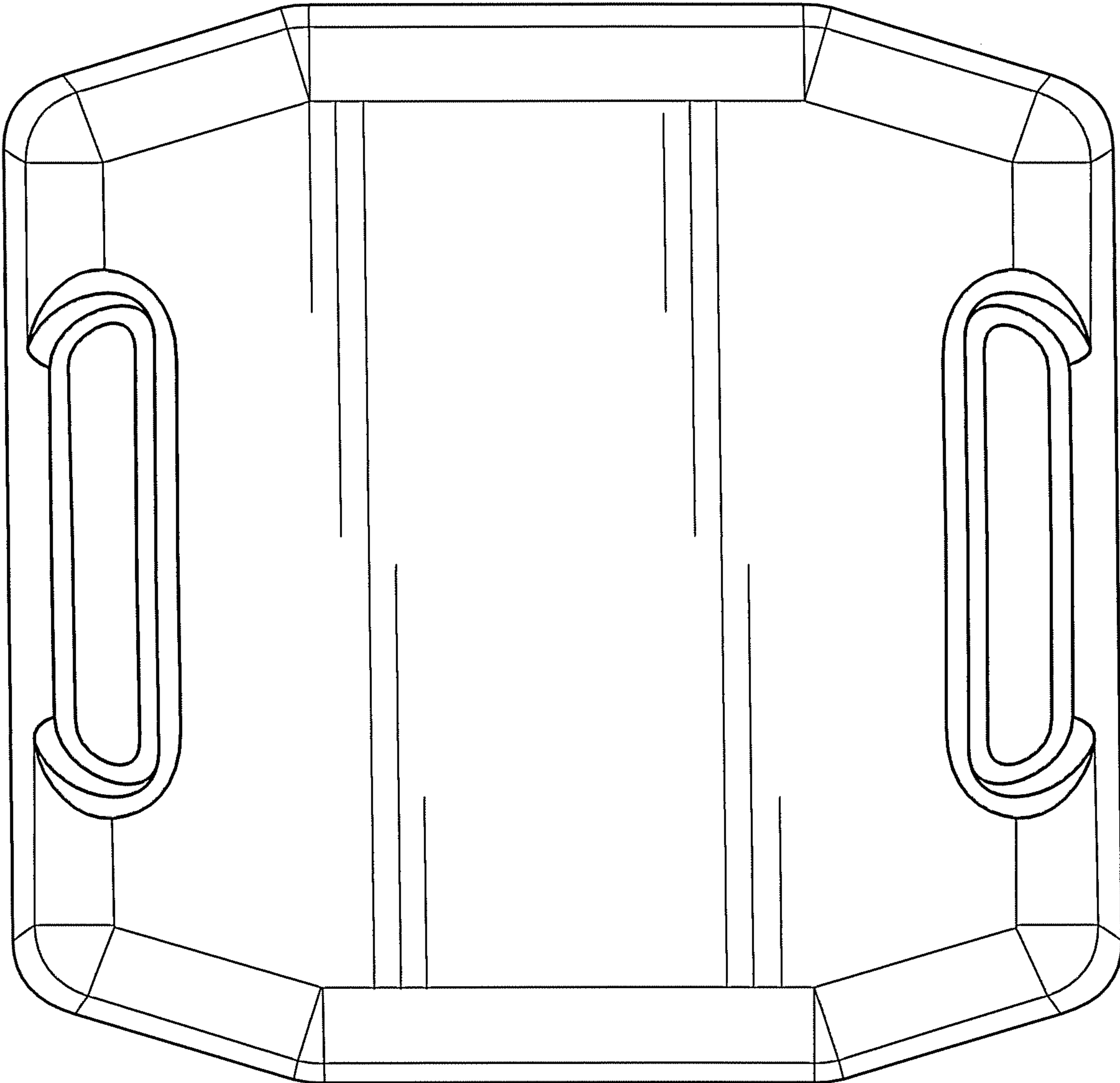


FIG. 2

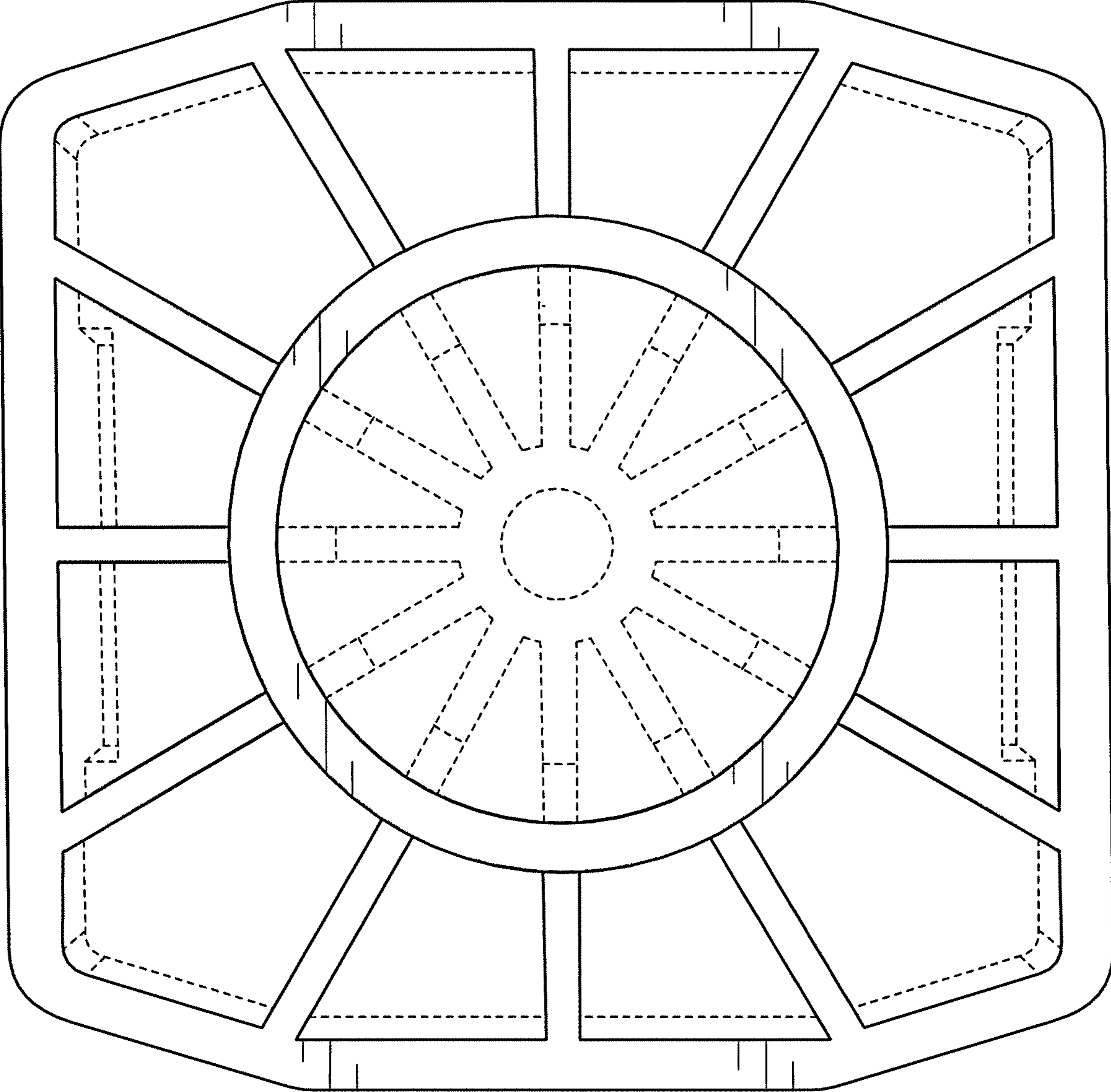


FIG. 3

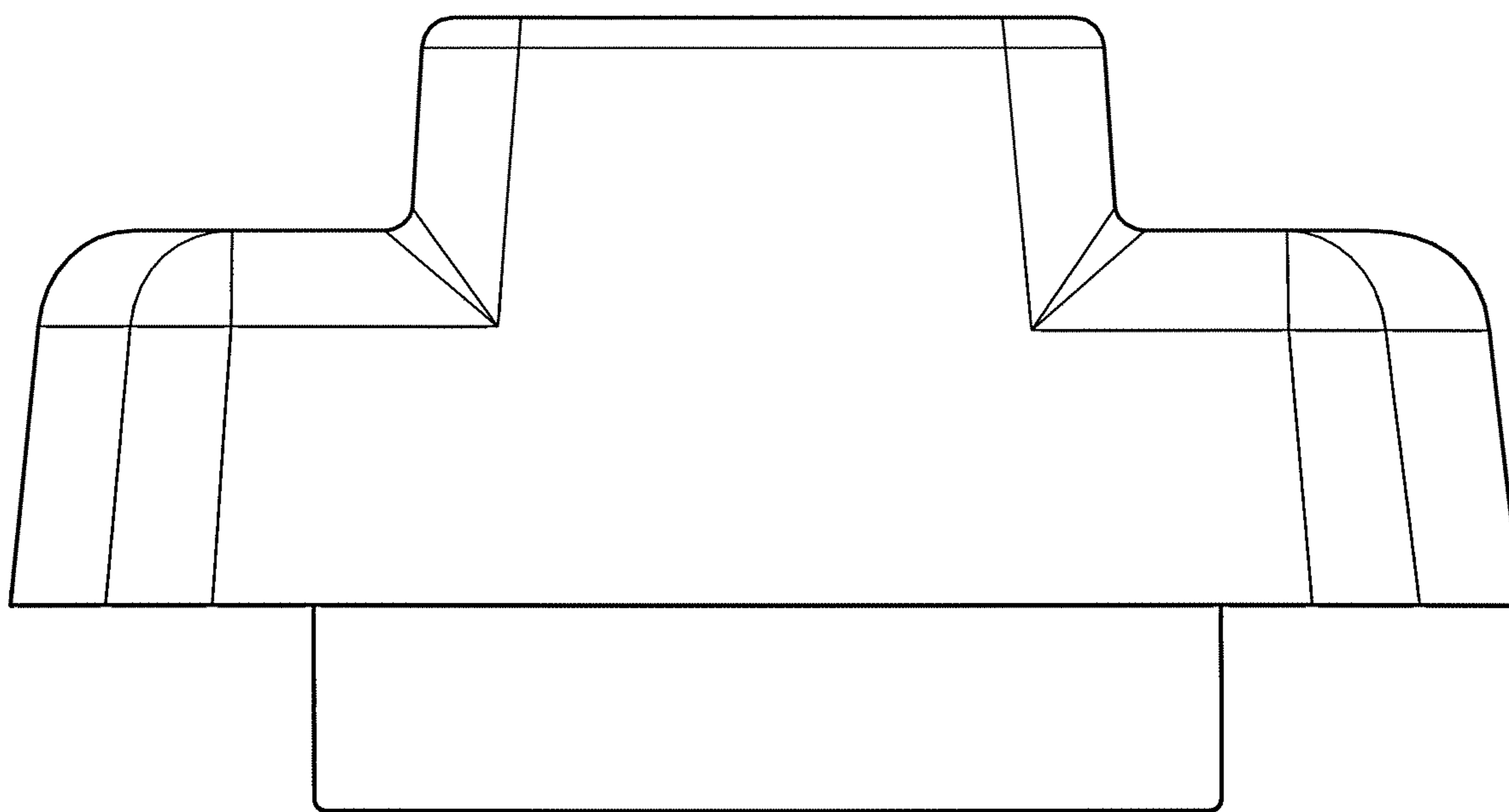


FIG. 4

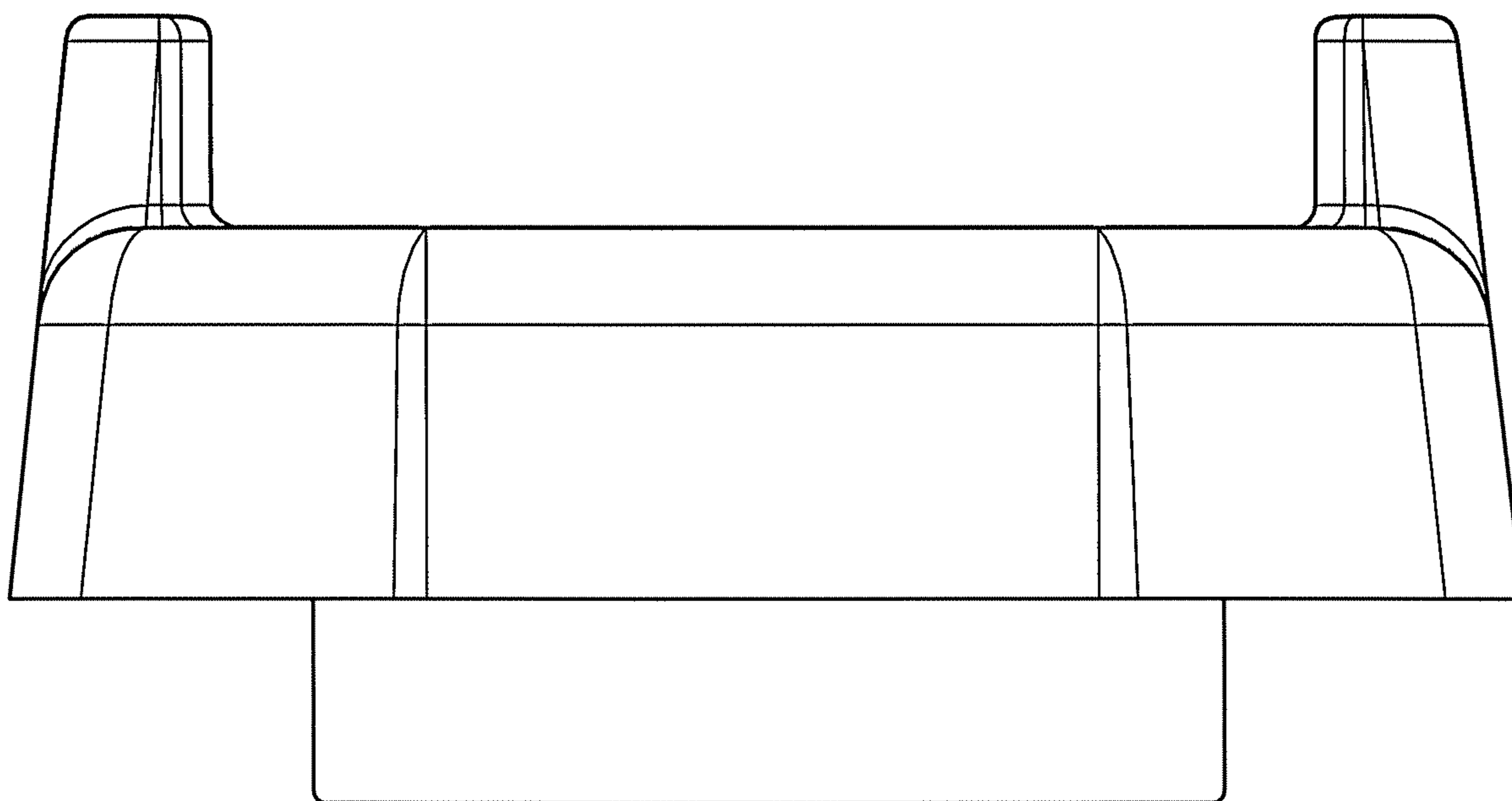


FIG. 5