



US00D968264S

(12) **United States Design Patent** (10) **Patent No.:** **US D968,264 S**
Dubinina et al. (45) **Date of Patent:** **** Nov. 1, 2022**

(54) **SUBWAY TRAIN WAGON**

B61D 27/0036; B61D 27/0063; B61D 33/005; B61D 33/0085; B61D 35/007

(71) Applicant: **Joint Stock Company "Transmashholding"**, Moscow (RU)

See application file for complete search history.

(72) Inventors: **Kristina Oleksiivna Dubinina**, Moscow (RU); **Mikhail Anatolevich Rozhkov**, Moscow (RU); **Evgenii Georgievich Maslov**, Moscow (RU)

(56) **References Cited**

U.S. PATENT DOCUMENTS

D149,553 S *	5/1948	Grutzner	105/1.1
D150,084 S *	6/1948	Markestein	105/1.1
D150,085 S *	6/1948	Markestein	105/1.1
D150,086 S *	6/1948	Markestein	105/1.1
D201,226 S *	5/1965	Schmidt	D12/43
D241,128 S *	8/1976	Chapin	D12/38
D301,704 S *	6/1989	Groves	D12/40
D331,033 S *	11/1992	Renfrew	D12/40
D344,912 S *	3/1994	Blasingame	D12/38
D911,218 S *	2/2021	Ransome	D12/36

(**) Term: **15 Years**

(21) Appl. No.: **35/512,294**

(22) Filed: **May 17, 2021**

(80) **Hague Agreement Data**

Int. Filing Date: **May 17, 2021**
Int. Reg. No.: **DM/215480**
Int. Reg. Date: **May 17, 2021**
Int. Reg. Pub. Date: **Jul. 30, 2021**

* cited by examiner

Primary Examiner — Joseph Kukella

(57) **CLAIM**

The ornamental design for a subway train wagon, as shown and described.

(30) **Foreign Application Priority Data**

Nov. 18, 2020 (RU) RU2020505596

(51) **LOC (13) Cl.** **12-03**

(52) **U.S. Cl.**
USPC **D12/38**

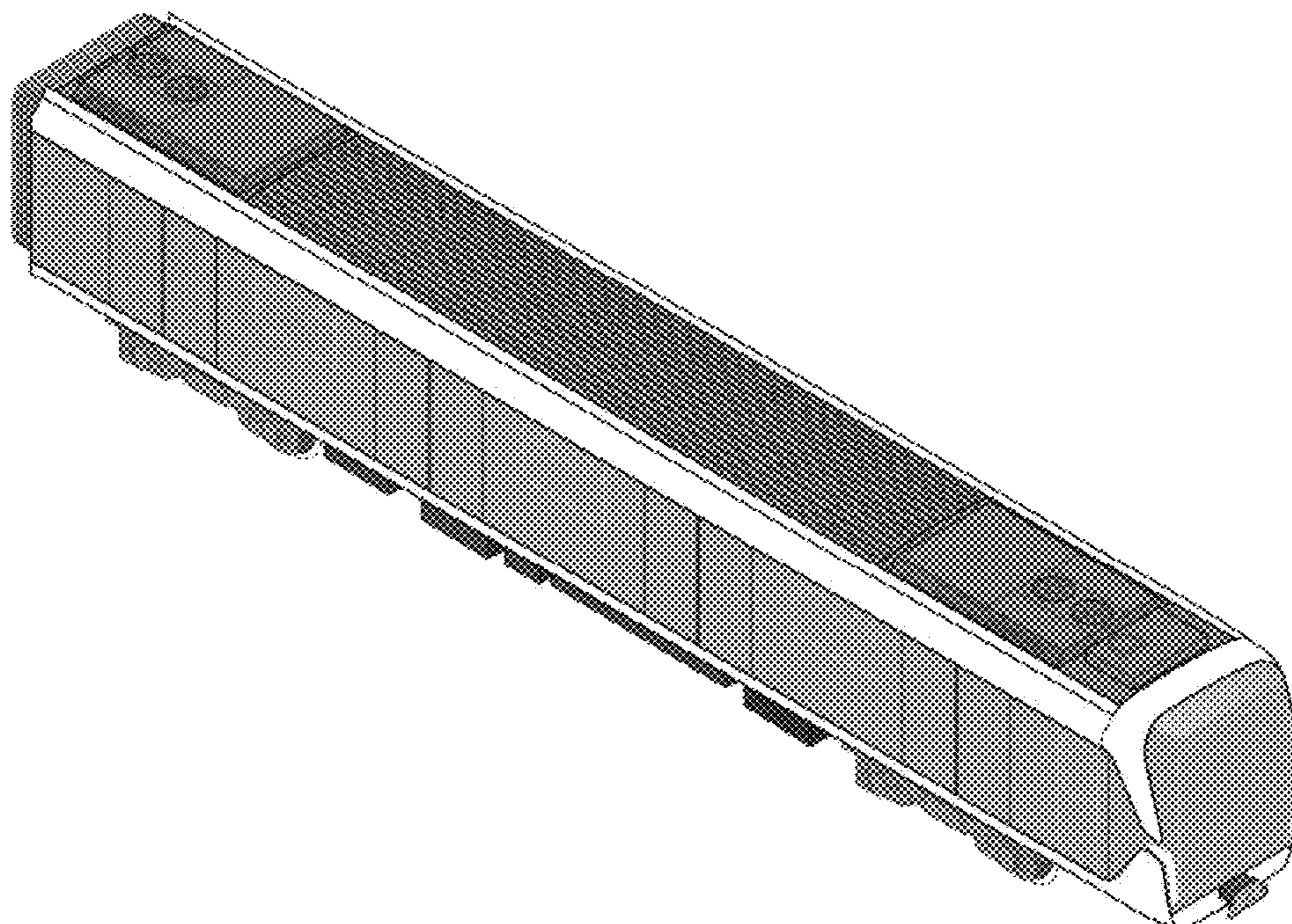
(58) **Field of Classification Search**
USPC D12/36-48
CPC ... B61D 1/00; B61D 3/10; B61D 5/04; B61D 5/06; B61D 13/00; B61D 15/02; B61D 15/06; B61D 17/00; B61D 17/005; B61D 17/02; B61D 17/04; B61D 17/041; B61D 17/045; B61D 17/16; B61D 27/0018;

DESCRIPTION

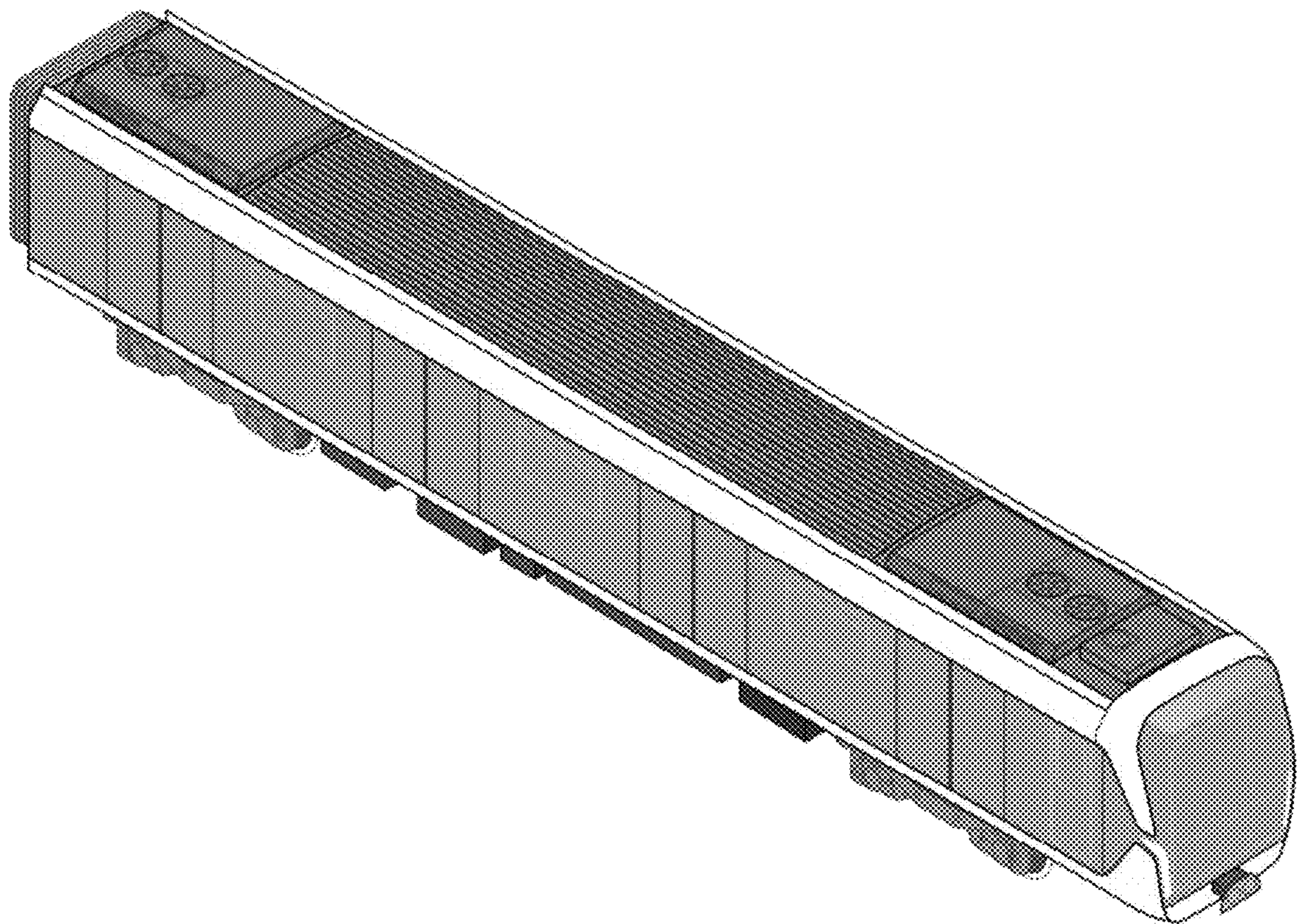
- 1. Subway train wagon
- 1.1 : Perspective
- 1.2 : Front
- 1.3 : Back
- 1.4 : Side view
- 1.5 : Top

An industrial design for a subway train wagon that comprises a driver's cabin, a passenger compartment located on a frame mounted on bogies with wheel pairs, and a rear end part of the body with a transition vestibule.

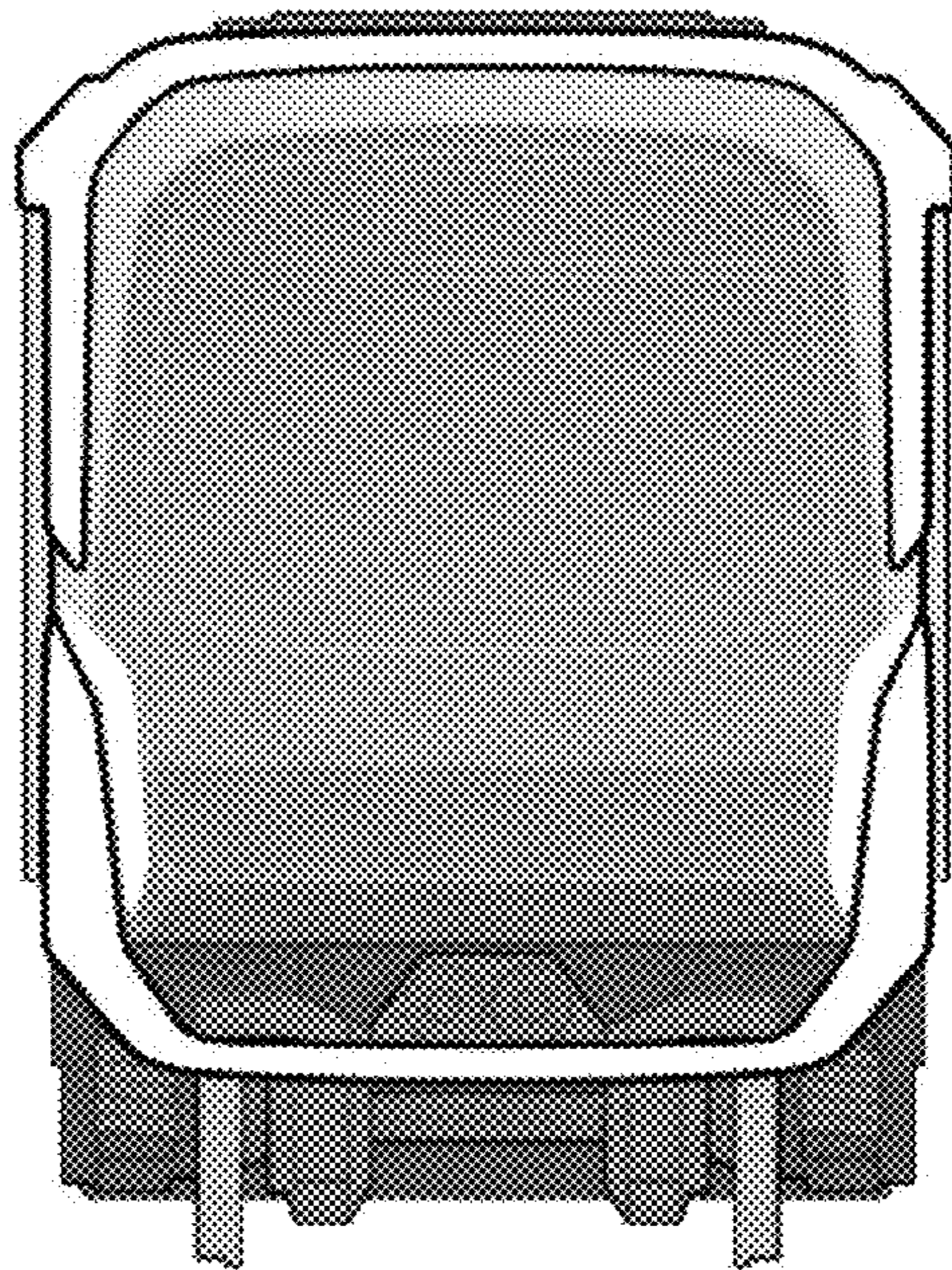
1 Claim, 5 Drawing Sheets



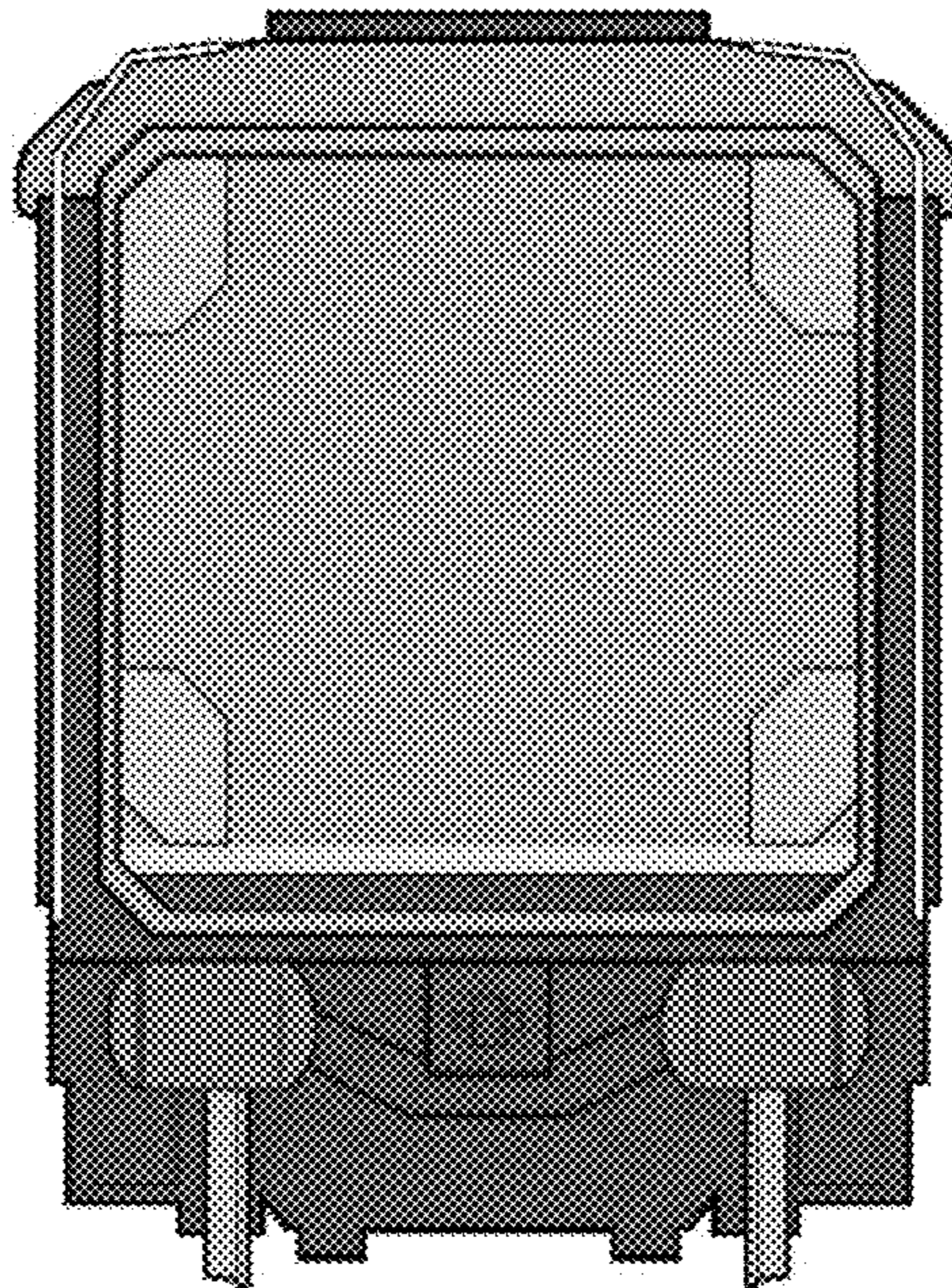
1.1



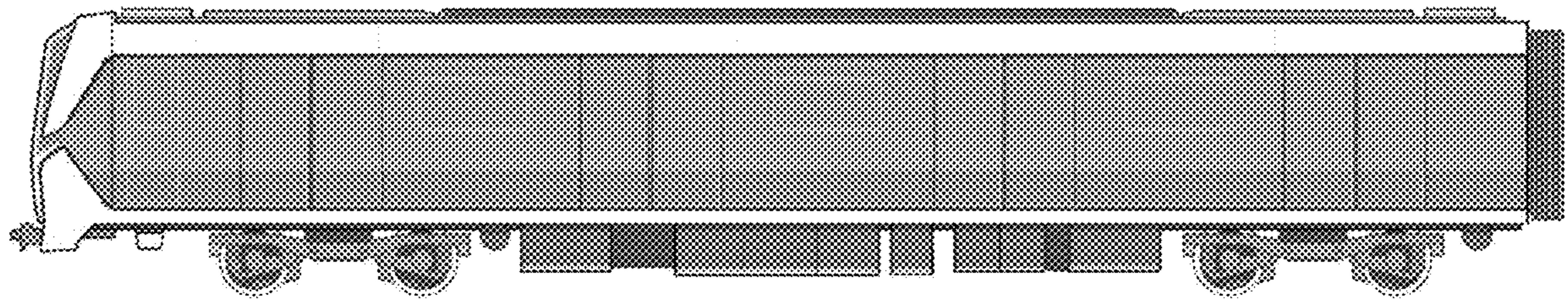
1.2



1.3



1.4



1.5

