



US00D968262S

(12) **United States Design Patent**  
**Li**

(10) **Patent No.:** **US D968,262 S**  
(45) **Date of Patent:** **\*\* Nov. 1, 2022**

(54) **DRONE**

(71) Applicant: **Guangdong Attop Technology Co., Ltd, Shantou (CN)**

(72) Inventor: **sijin Li, Shantou (CN)**

(73) Assignee: **Guangdong Attop Technology Co., Ltd, Shantou (CN)**

(\*\*) Term: **15 Years**

(21) Appl. No.: **29/790,552**

(22) Filed: **Dec. 3, 2021**

(51) **LOC (13) Cl.** ..... **12-07**

(52) **U.S. Cl.**  
USPC ..... **D12/16.1**

(58) **Field of Classification Search**  
USPC ..... D12/1, 2, 3, 4, 16.1, 174, 319–345;  
D21/436–455  
CPC ..... B64C 29/0033; B64C 2201/021; B64C  
29/02; B64C 2201/088; B64C 2201/104;  
B64C 2201/141  
See application file for complete search history.

(56) **References Cited**

**U.S. PATENT DOCUMENTS**

D813,724 S *	3/2018	Hu	.....	D12/16.1
D854,448 S *	7/2019	Chen	.....	D12/16.1
D861,573 S *	10/2019	He	.....	D12/328
D866,396 S *	11/2019	Chen	.....	D12/16.1
D873,175 S *	1/2020	Li	.....	D12/328
D874,338 S	2/2020	Zhao		
D874,973 S *	2/2020	Zhou	.....	D12/16.1
D874,974 S *	2/2020	Zhou	.....	D12/16.1
D881,067 S *	4/2020	Zhou	.....	D12/16.1
D882,460 S *	4/2020	Chen	.....	D12/16.1

D884,554 S *	5/2020	Chen	.....	D12/16.1
D896,700 S *	9/2020	Xu	.....	D12/16.1
D904,226 S	12/2020	Zhao		
D906,881 S *	1/2021	Chen	.....	D21/441
D908,588 S *	1/2021	Zhao	.....	D12/328
D918,087 S *	5/2021	He	.....	D12/319
D918,308 S *	5/2021	Xu	.....	D21/441
D944,118 S *	2/2022	Lin	.....	D12/16.1
D951,815 S *	5/2022	Wang	.....	D12/16.1
D954,599 S *	6/2022	Xu	.....	D12/16.1
2020/0023995 A1 *	1/2020	Song	.....	B64C 39/024

\* cited by examiner

*Primary Examiner* — John A Voytek

(74) *Attorney, Agent, or Firm* — Zhihua Han

(57) **CLAIM**

The ornamental design for a drone, as shown and described.

**DESCRIPTION**

FIG. 1 is a first perspective view of a drone showing my new design;

FIG. 2 is a second perspective view thereof;

FIG. 3 is a front view thereof;

FIG. 4 is a back view thereof;

FIG. 5 is a left side view thereof;

FIG. 6 is a right side view thereof;

FIG. 7 is a top view thereof;

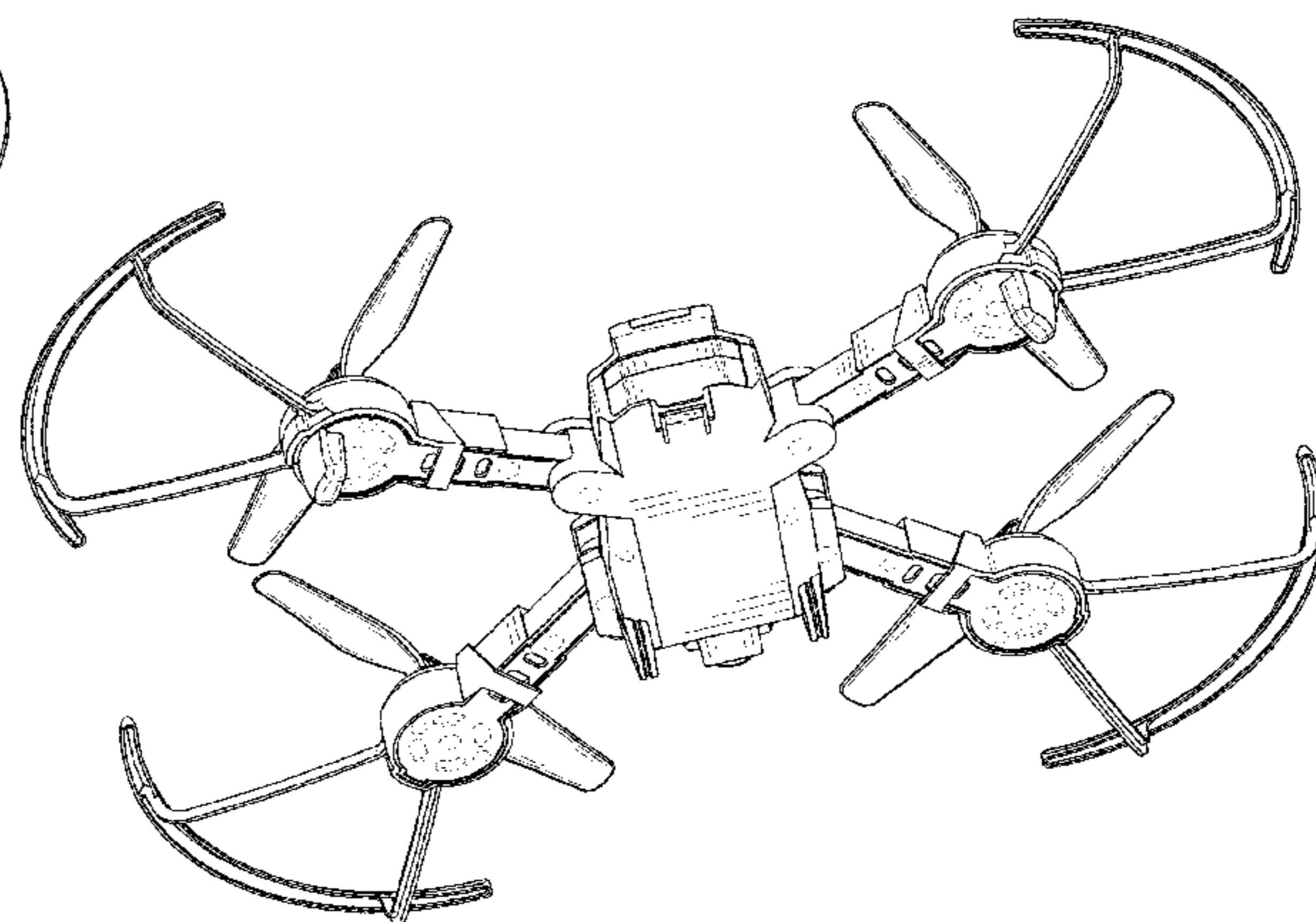
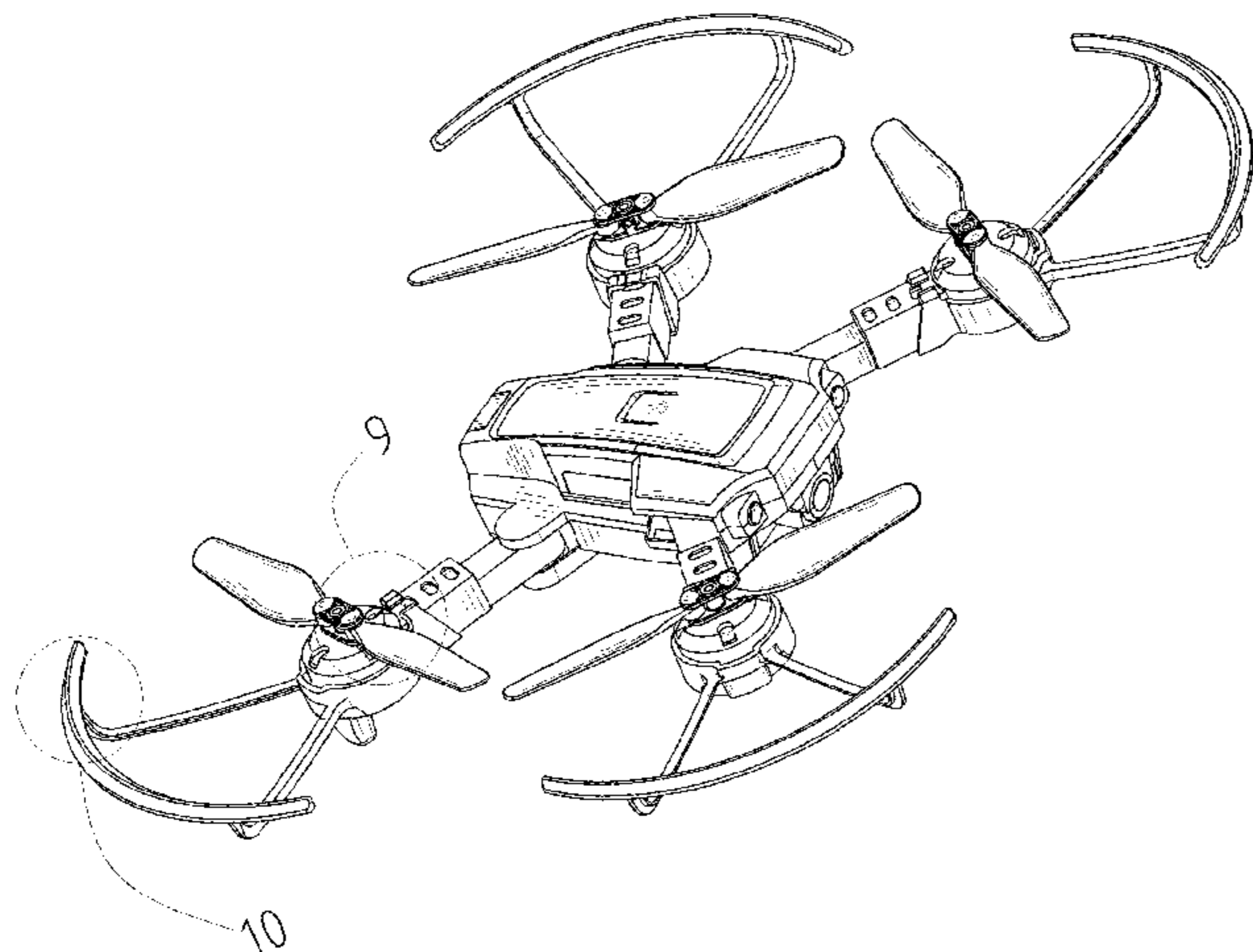
FIG. 8 is a bottom view thereof;

FIG. 9 is an enlarged view of the selected portion in FIG. 1; and,

FIG. 10 is an enlarged view of the selected portion in FIG. 1.

The broken lines shown in the drawings depict portions of the drone in which the design is embodied that form no part of the claimed design.

**1 Claim, 10 Drawing Sheets**



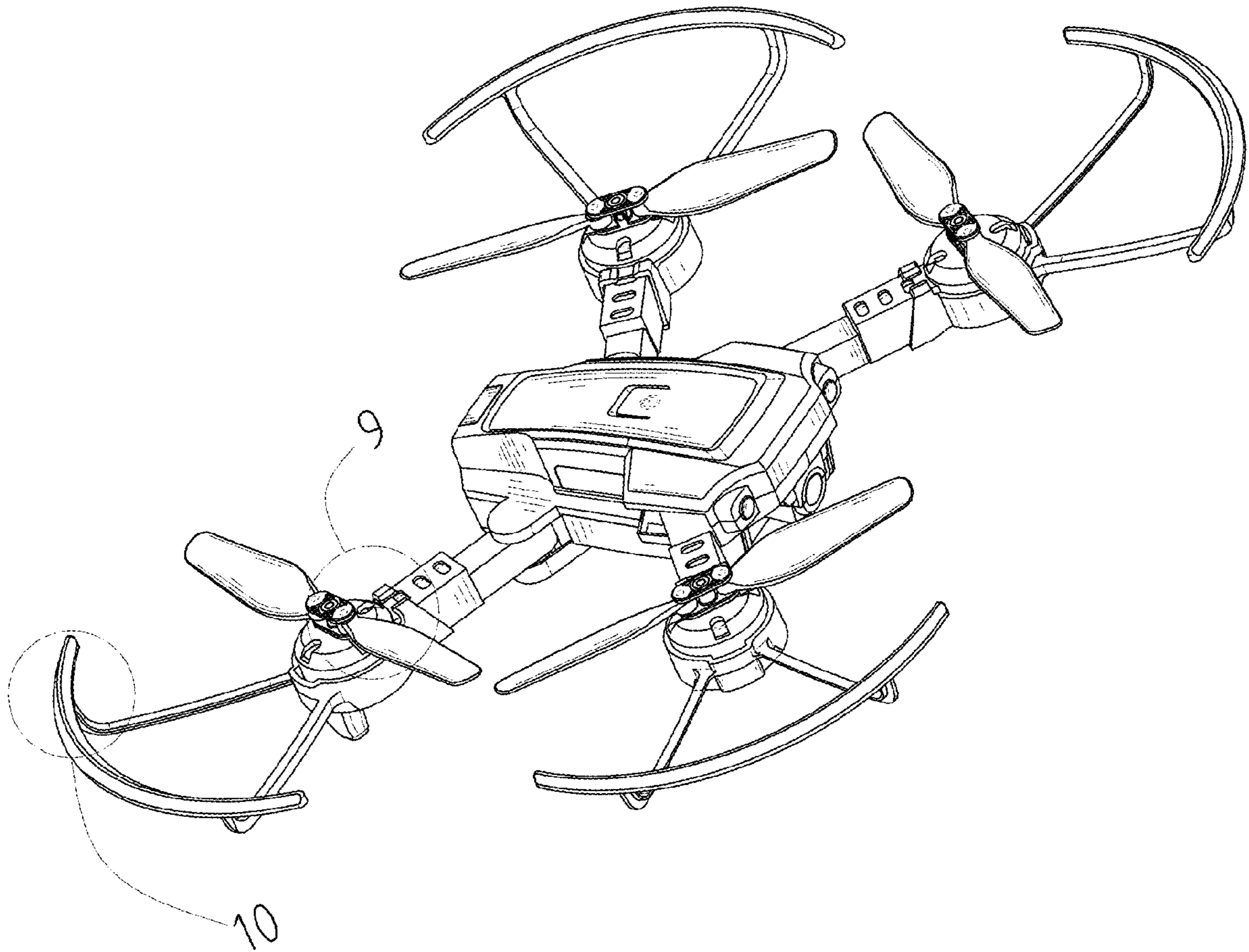


FIG. 1

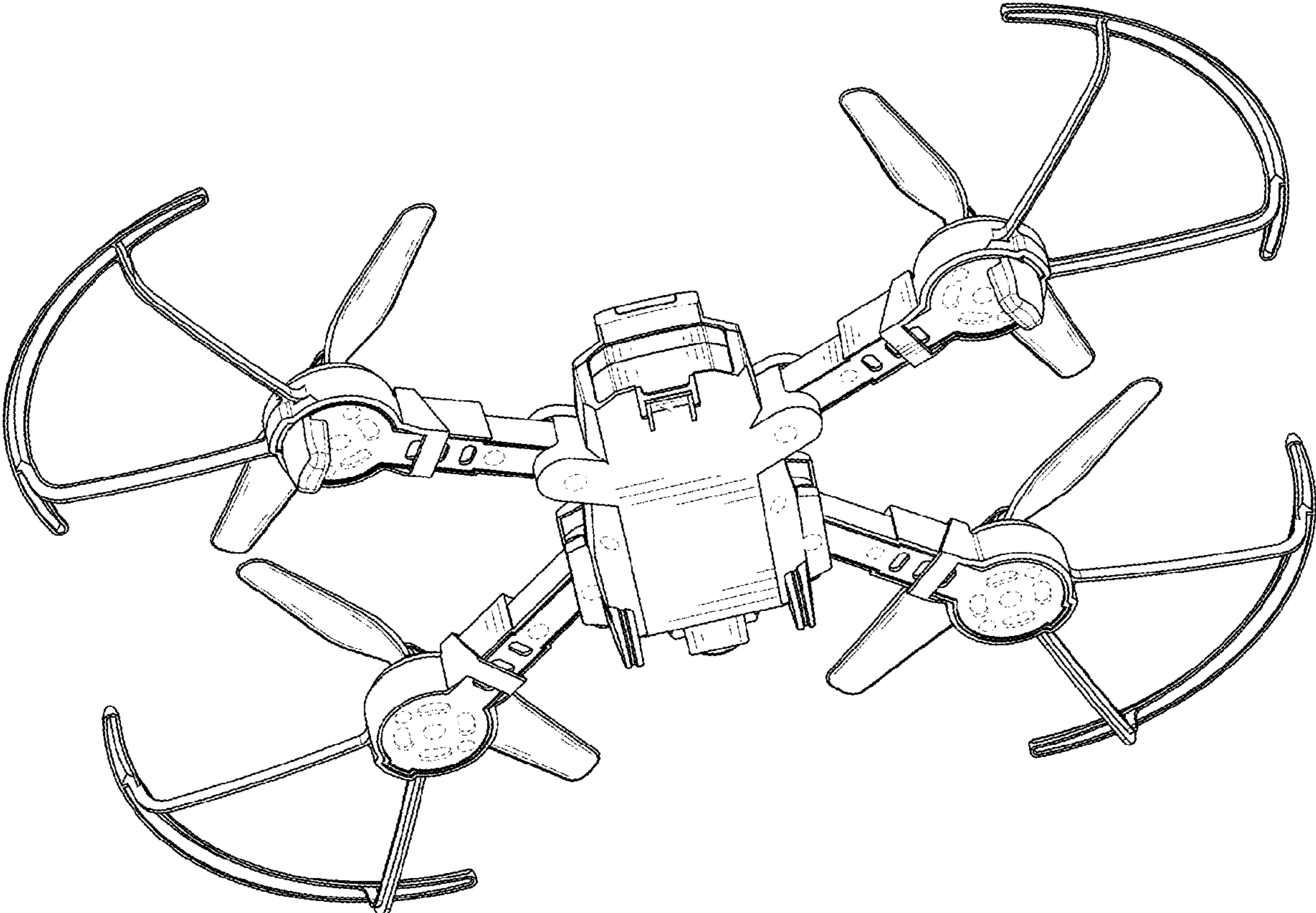


FIG. 2

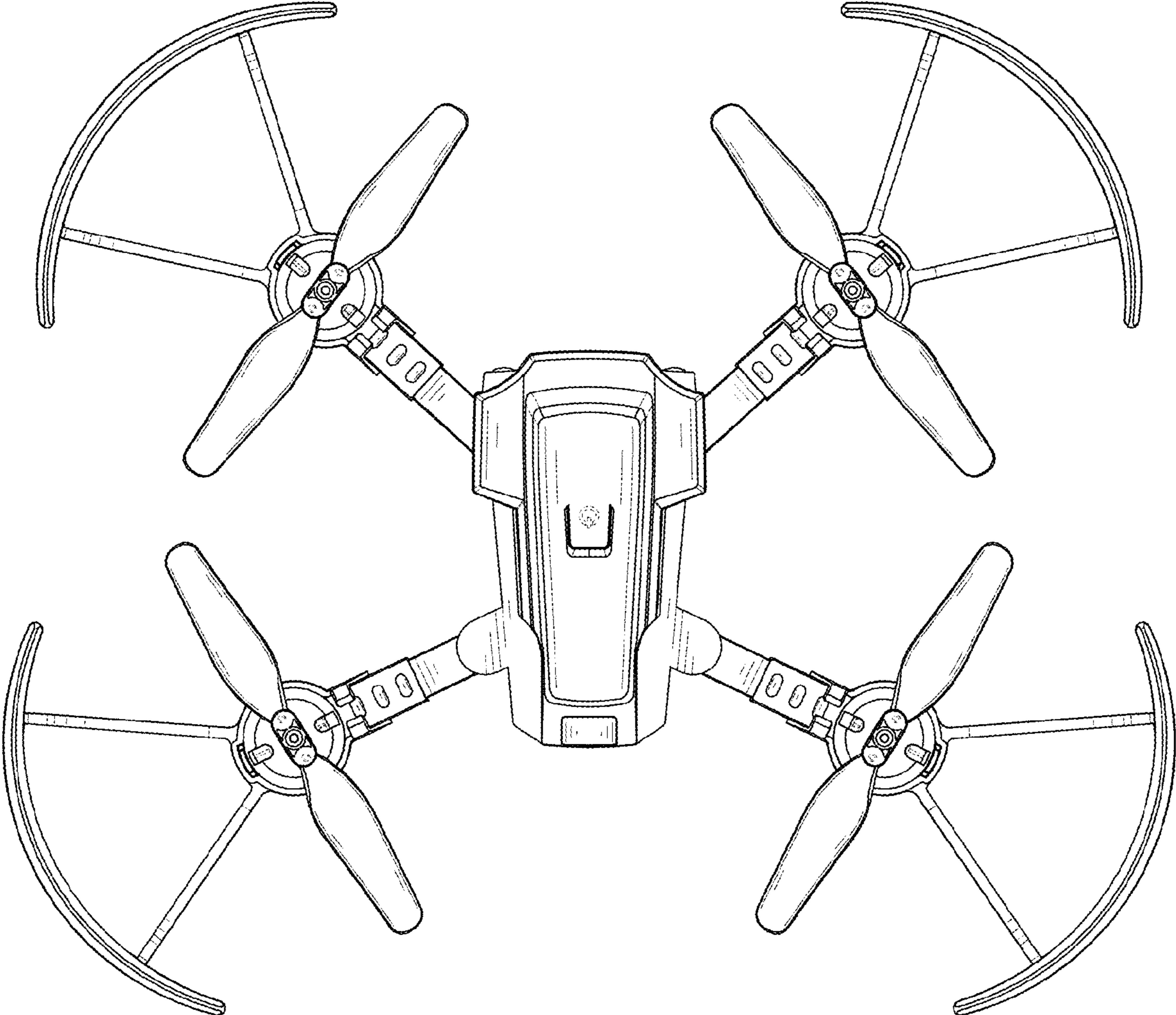


FIG. 3

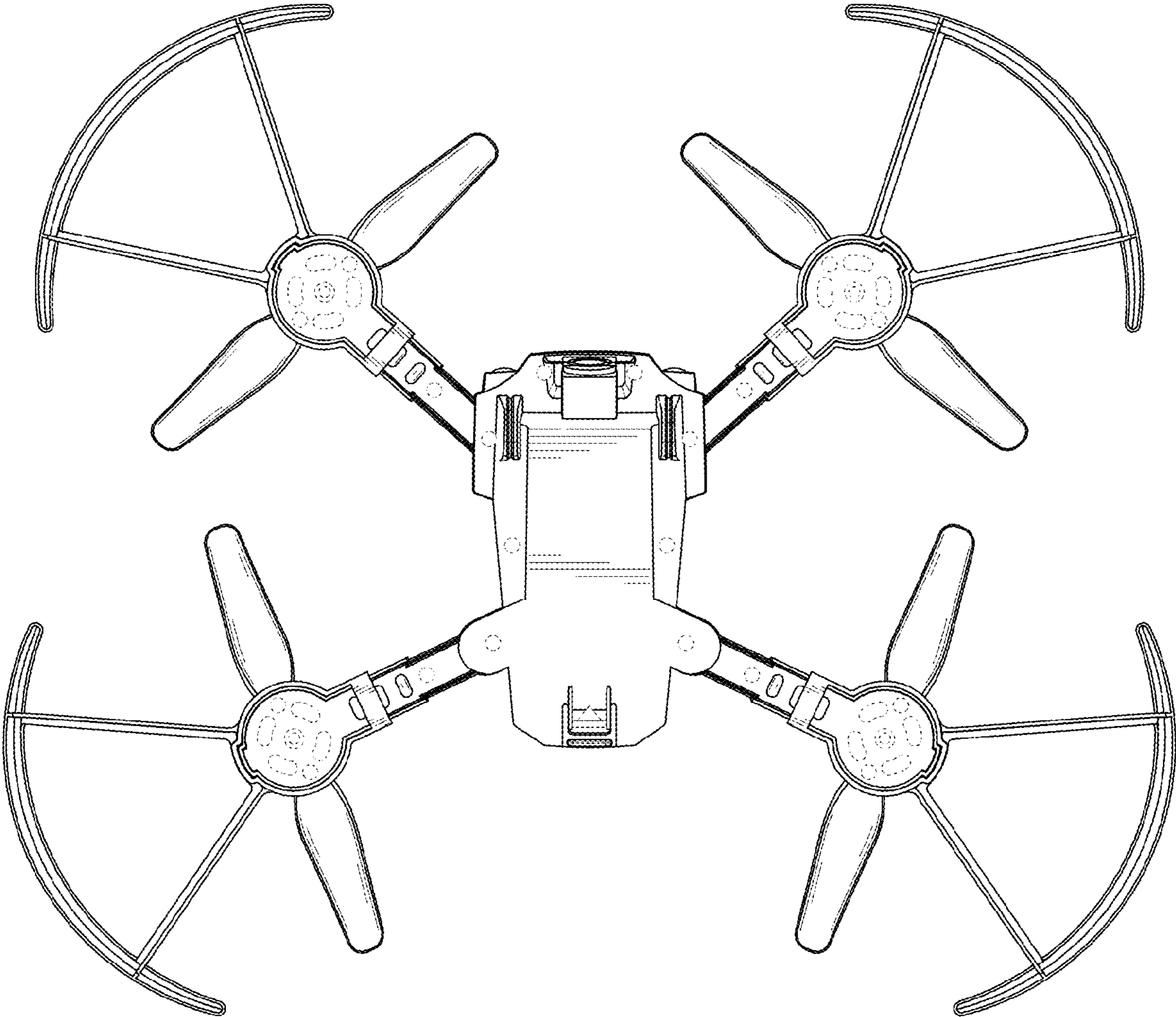


FIG. 4

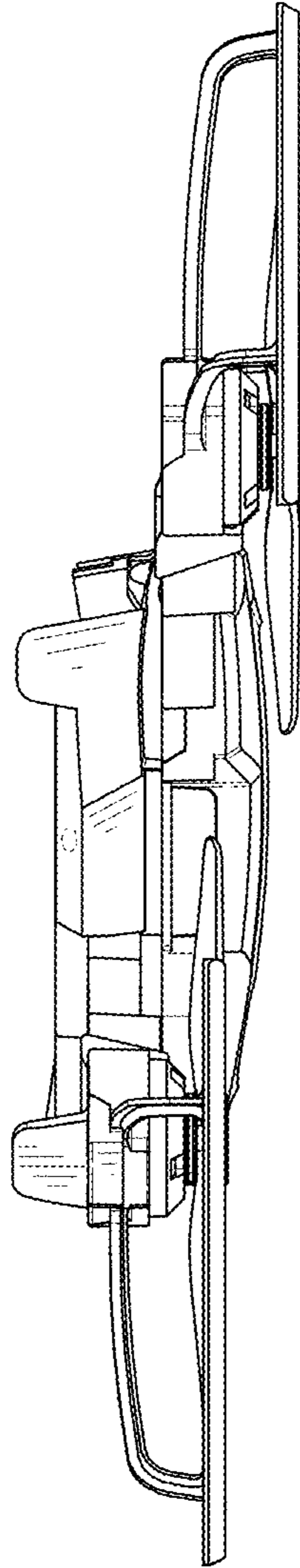


FIG. 5

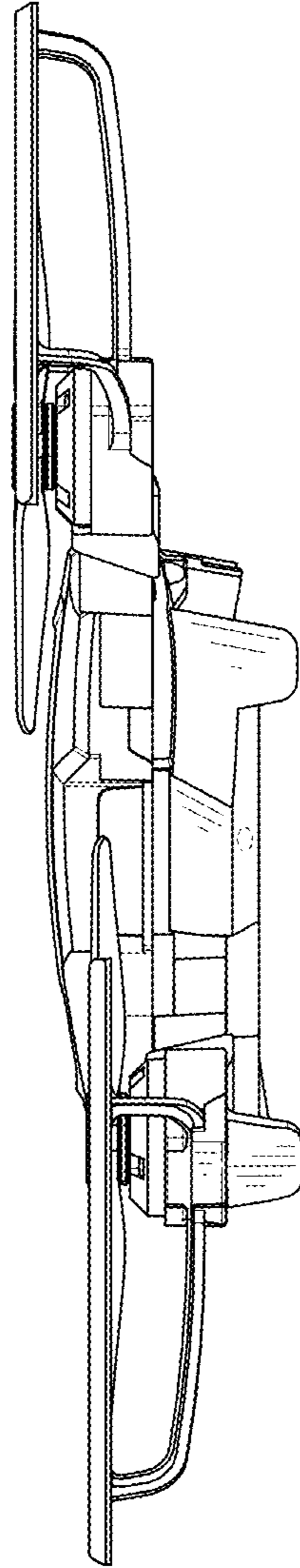


FIG. 6

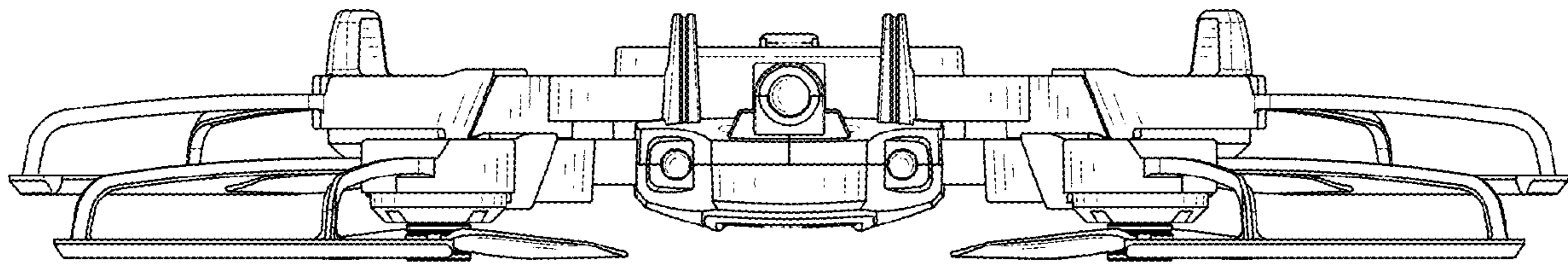


FIG. 7



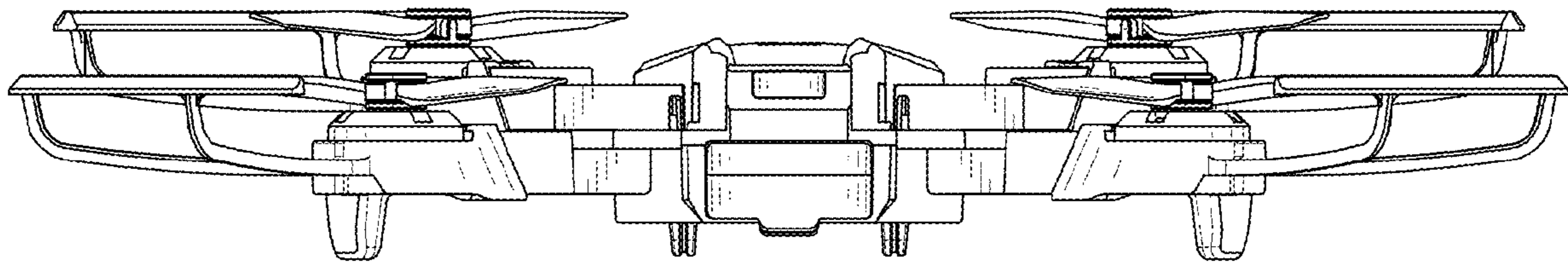


FIG. 8

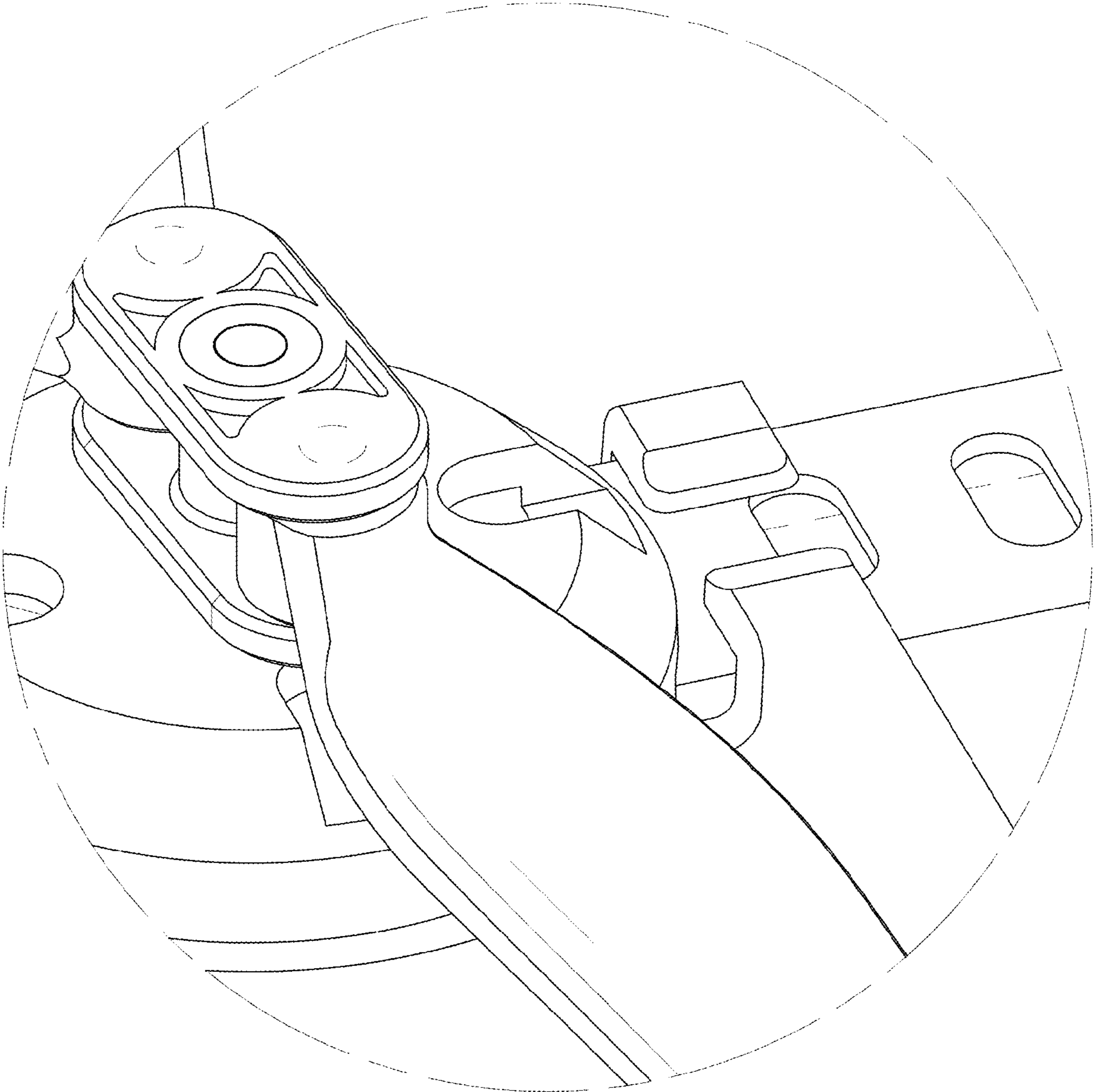


FIG. 9



FIG. 10