



US00D968260S

(12) **United States Design Patent** (10) **Patent No.:** **US D968,260 S**  
**Shah et al.** (45) **Date of Patent:** **\*\* Nov. 1, 2022**

(54) **JEWELRY COMPONENT**

(71) Applicants: **Hemang Shah**, La Crescenta, CA (US);  
**Kunal Doshi**, La Crescenta, CA (US);  
**Gautam Parekh**, La Crescenta, CA (US)

(72) Inventors: **Hemang Shah**, La Crescenta, CA (US);  
**Kunal Doshi**, La Crescenta, CA (US);  
**Gautam Parekh**, La Crescenta, CA (US)

(\*\*) Term: **15 Years**

(21) Appl. No.: **29/704,409**

(22) Filed: **Sep. 4, 2019**

(51) **LOC (13) Cl.** ..... **11-01**

(52) **U.S. Cl.**  
USPC ..... **D11/86**

(58) **Field of Classification Search**  
USPC ..... D11/1, 7, 8, 26-39, 79, 91, 92, 86  
CPC ..... A44C 9/00; A44C 9/0007; A44C 9/0014;  
A44C 9/0023; A44C 9/003; A44C 9/0038; A44C 9/0046; A44C 9/0053;  
A44C 9/0061; A44C 9/0069; A44C 9/0076; A44C 9/0084; A44C 9/0092;  
A44C 9/02; A44C 17/0258; A44C 17/0266; A44C 17/0275; A44C 17/0283;  
A44C 17/02; A44C 17/0208; A44C 17/0216; A44C 17/0225; A44C 17/0233;  
A44C 17/0241; A44C 17/025; A44C 17/0288; A44C 17/0291; A44C 1/00;  
A44C 15/00; A44C 15/0005; A44C 15/001; A44C 15/005

See application file for complete search history.

(56) **References Cited**

**U.S. PATENT DOCUMENTS**

D445,716 S \* 7/2001 Goldstein ..... D11/26  
D454,315 S \* 3/2002 Ambar ..... D11/34

D615,446 S \* 5/2010 Vagal ..... D11/34  
D728,413 S \* 5/2015 Karmes ..... D11/92  
D805,945 S \* 12/2017 Rubin ..... D11/26  
D819,481 S \* 6/2018 Rubin ..... D11/26  
D855,489 S \* 8/2019 Biggers ..... D11/34  
D855,491 S \* 8/2019 Biggers ..... D11/34  
D872,626 S \* 1/2020 Biggers ..... D11/34  
2016/0316868 A1 \* 11/2016 Parikh ..... A44C 9/00  
2017/0020243 A1 \* 1/2017 Parikh ..... A44C 9/02  
2017/0354210 A1 \* 12/2017 Artinger ..... A44C 27/00

**OTHER PUBLICATIONS**

[Online] <https://www.huntingtonfinejewelers.com/Kirk-Kara-Engagement-Rings/Pirouetta/K174C65R/44100544/EN>. Retrieved Jun. 17, 2022.\*

\* cited by examiner

*Primary Examiner* — Melanie Pellegrini  
(74) *Attorney, Agent, or Firm* — Veronica-Adele R. Cao

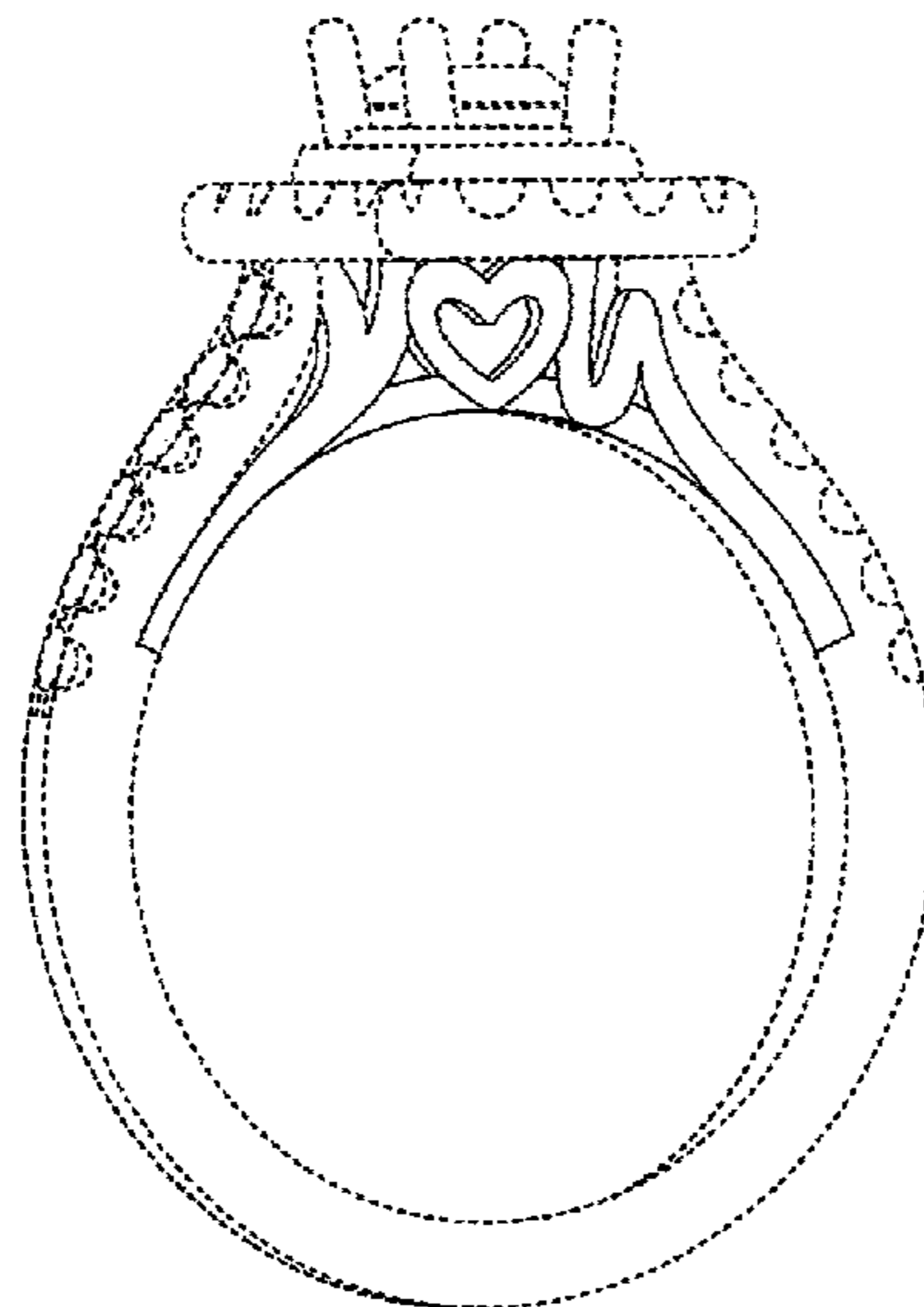
(57) **CLAIM**

The ornamental design for a jewelry component, as shown and described.

**DESCRIPTION**

FIG. 1 is a front view of a jewelry component, showing my new design;  
FIG. 2 is a bottom view thereof;  
FIG. 3 is rear view thereof;  
FIG. 4 is a perspective view thereof; and,  
FIG. 5 is a right view thereof.  
The dotted lines shown in the drawings illustrate environment and form no part of the claimed design.

**1 Claim, 3 Drawing Sheets**



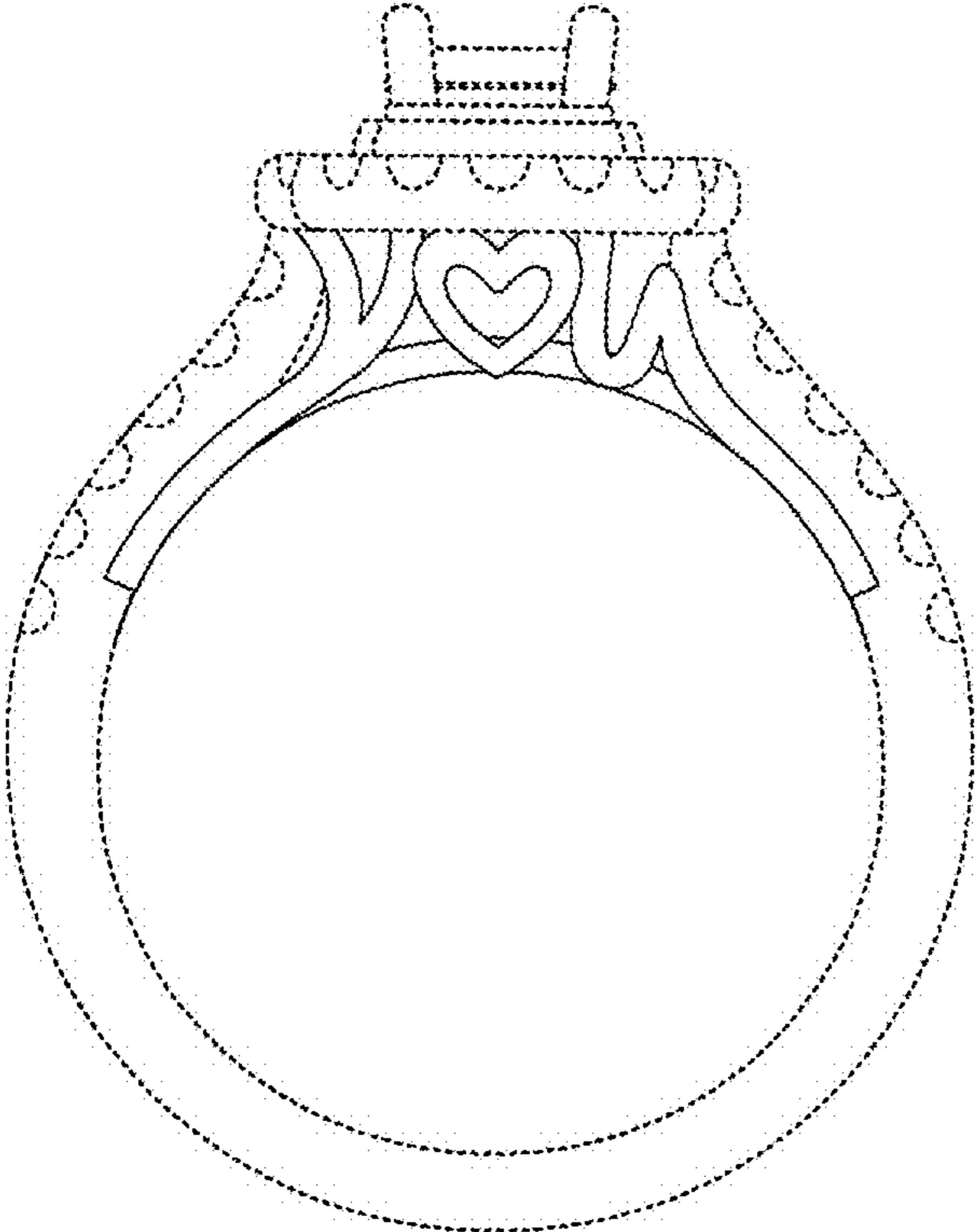


FIG. 1

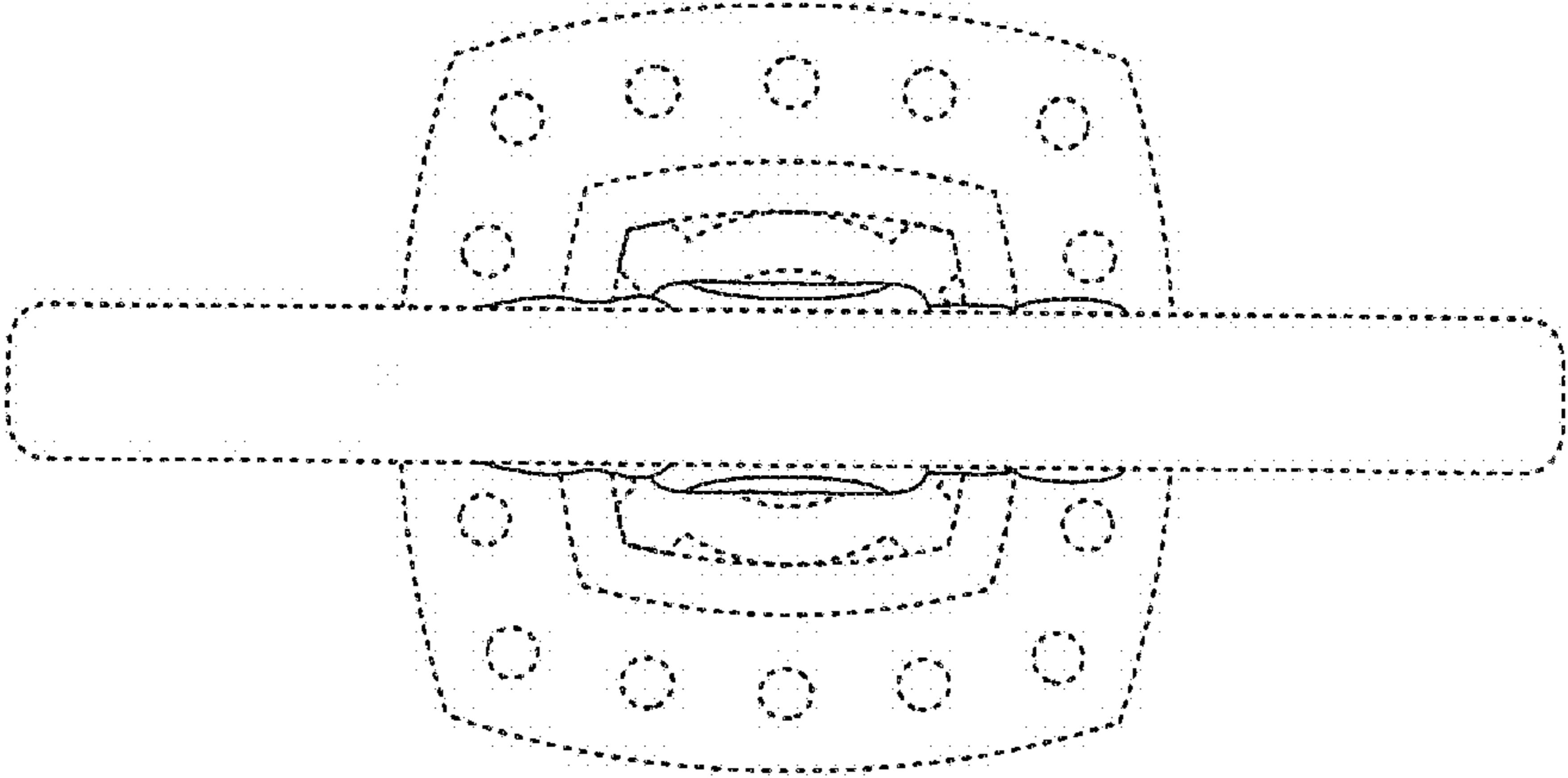


FIG. 2

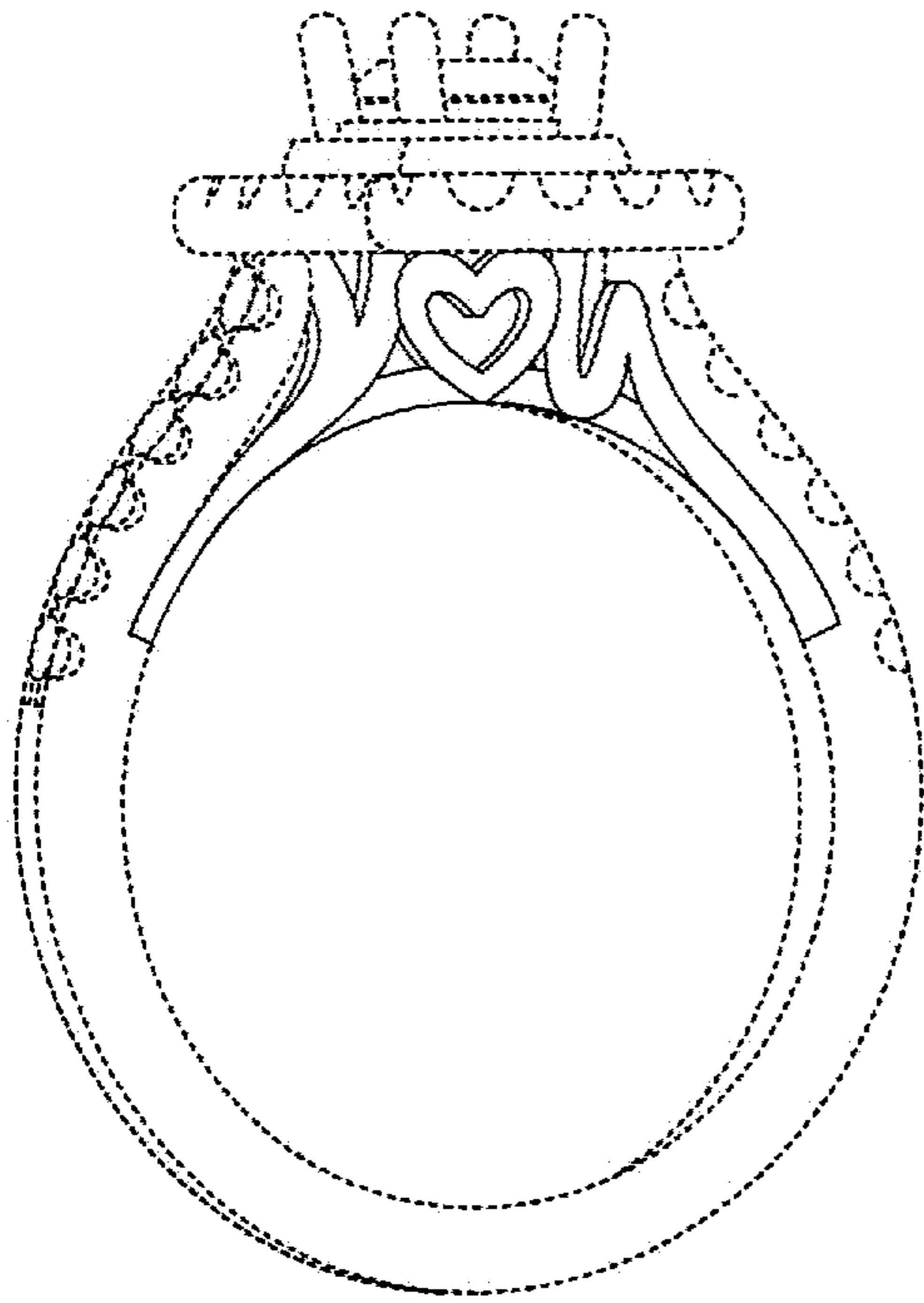


FIG. 3

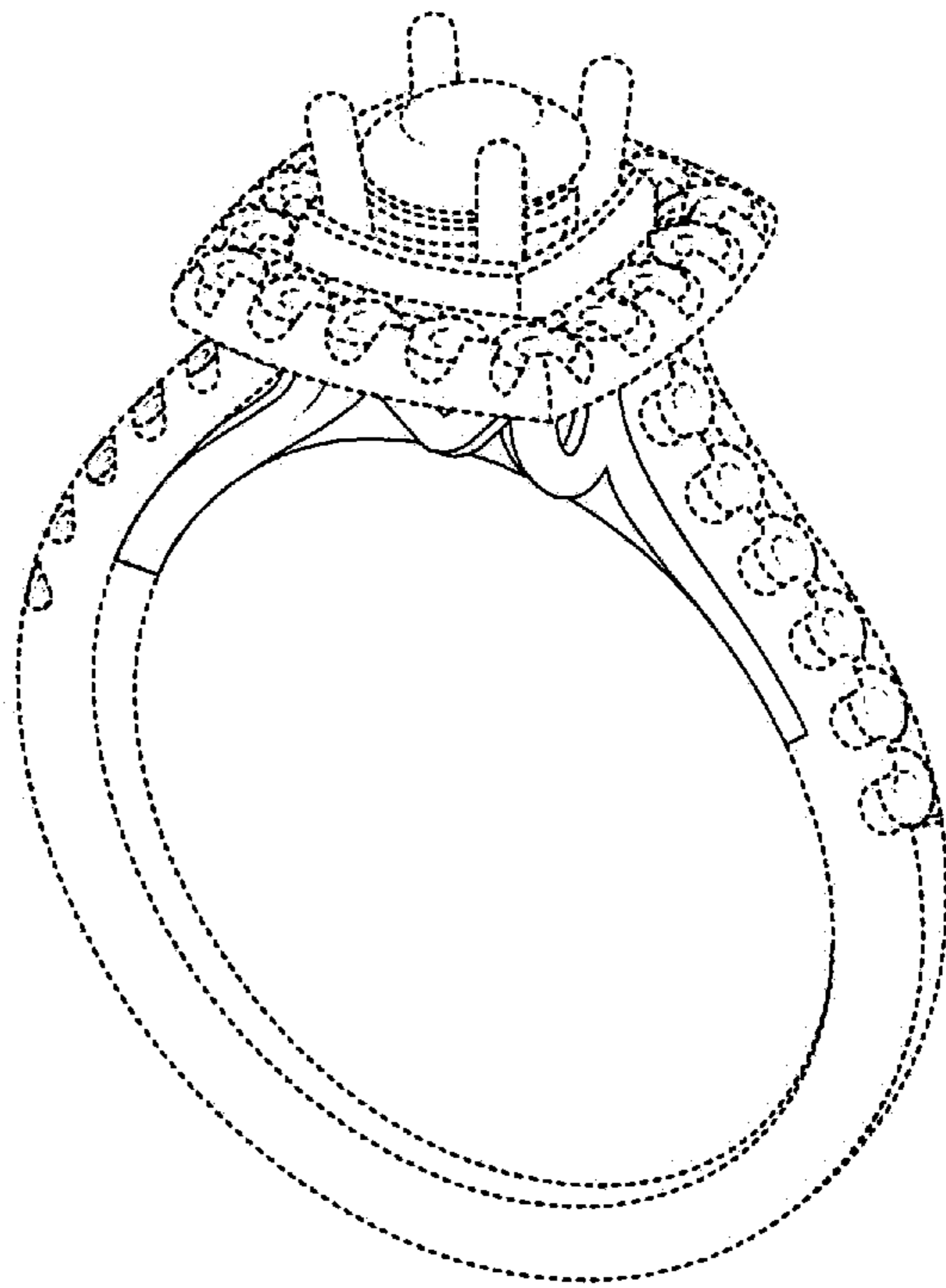


FIG. 4

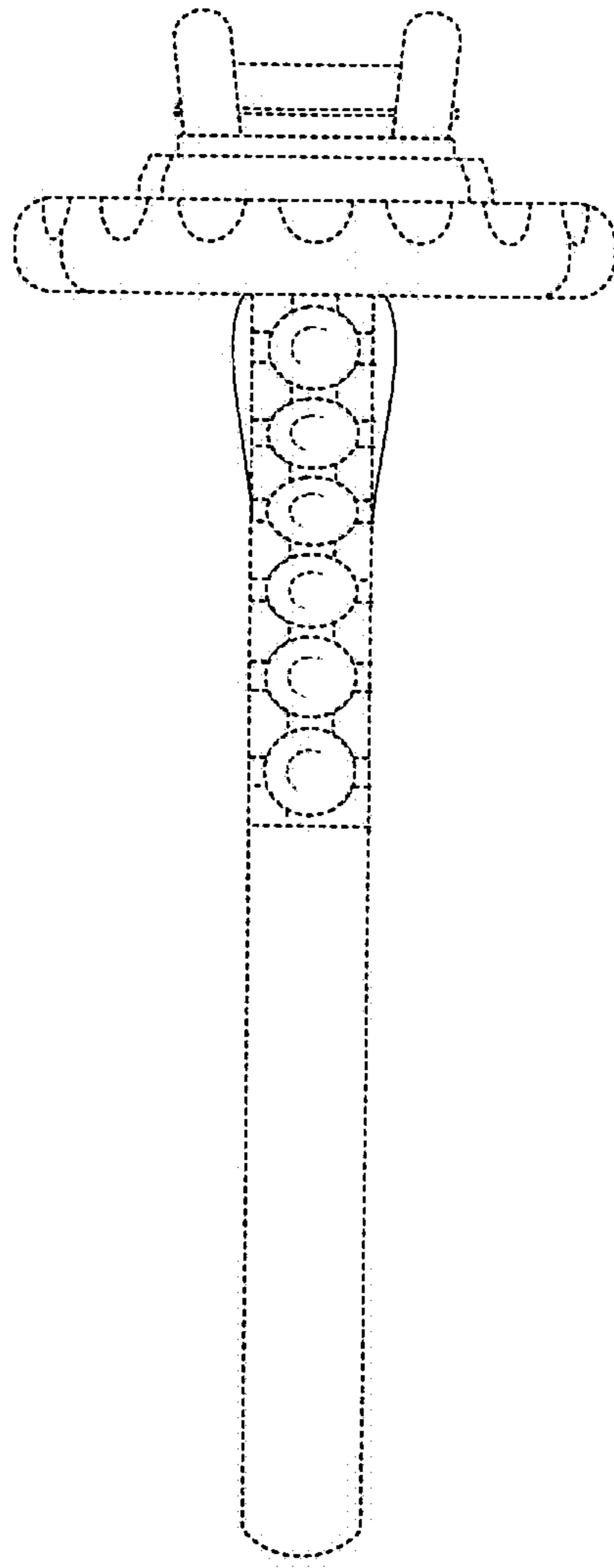


FIG. 5