



US00D968255S

(12) **United States Design Patent**
Sweet

(10) **Patent No.:** **US D968,255 S**

(45) **Date of Patent:** **** Nov. 1, 2022**

- (54) **ELECTRIC HORN AND SOUND MACHINE**
- (71) Applicant: **Endless Luck, LLC**, Encino, CA (US)
- (72) Inventor: **Jeremy Sweet**, Encino, CA (US)
- (73) Assignee: **Endless Luck, LLC**, Encino, CA (US)
- (**) Term: **15 Years**
- (21) Appl. No.: **29/737,316**
- (22) Filed: **Jun. 8, 2020**
- (51) **LOC (13) Cl.** **10-06**
- (52) **U.S. Cl.**
USPC **D10/120**
- (58) **Field of Classification Search**
USPC D10/104.1, 109.2, 116.1, 118,
D10/119.1-119.4, 120; D12/114;
D14/203.1, 203.3, 210, 216, 229
CPC B62J 3/10; H04R 1/026; H04R 2400/11;
B62K 23/02; B62K 2206/00
See application file for complete search history.

D630,539	S	*	1/2011	Barley	D10/119.1
D700,099	S	*	2/2014	Barley	D10/119.1
D772,970	S	*	11/2016	Balmer	D12/114
D774,410	S	*	12/2016	Lacy	D10/118
9,796,441	B1		10/2017	Roshandel et al.		
D924,104	S	*	7/2021	Kawakami	D12/114
2022/0055705	A1	*	2/2022	Sweet	B62J 3/10

FOREIGN PATENT DOCUMENTS

CA	3029524	A1	12/2016
CN	201472574	U	5/2010
CN	203663439	U	6/2014
CN	207460411	U	6/2018
JP	2016503362	A	2/2016
RU	76886	U1	10/2008

* cited by examiner

Primary Examiner — George D. Kirschbaum

Assistant Examiner — Lillian Windham

(74) *Attorney, Agent, or Firm* — Woods Oviatt Gilman LLP; Katherine H. McGuire, Esq.

(57) **CLAIM**

I claim the ornamental design for an electric horn and sound machine, as shown and described.

DESCRIPTION

FIG. 1 is a front perspective view of a new ornamental design for electric horn and sound machine.

FIG. 2 is a top plan view of FIG. 1.

FIG. 3 is a bottom plan view of FIG. 1.

FIG. 4 is a front plan view of FIG. 1.

FIG. 5 is a rear plan view of FIG. 1.

FIG. 6 is a left side view of FIG. 1; and,

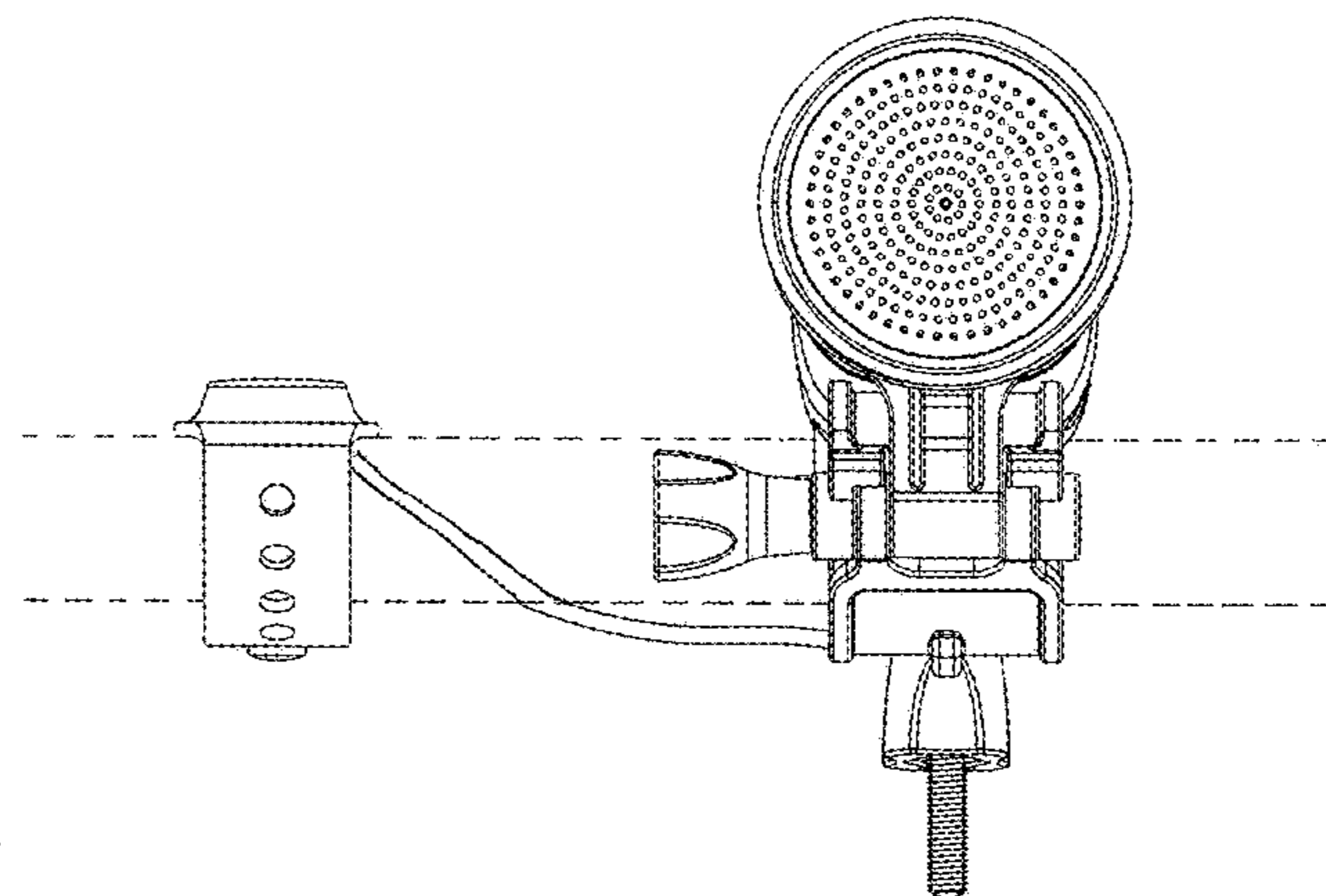
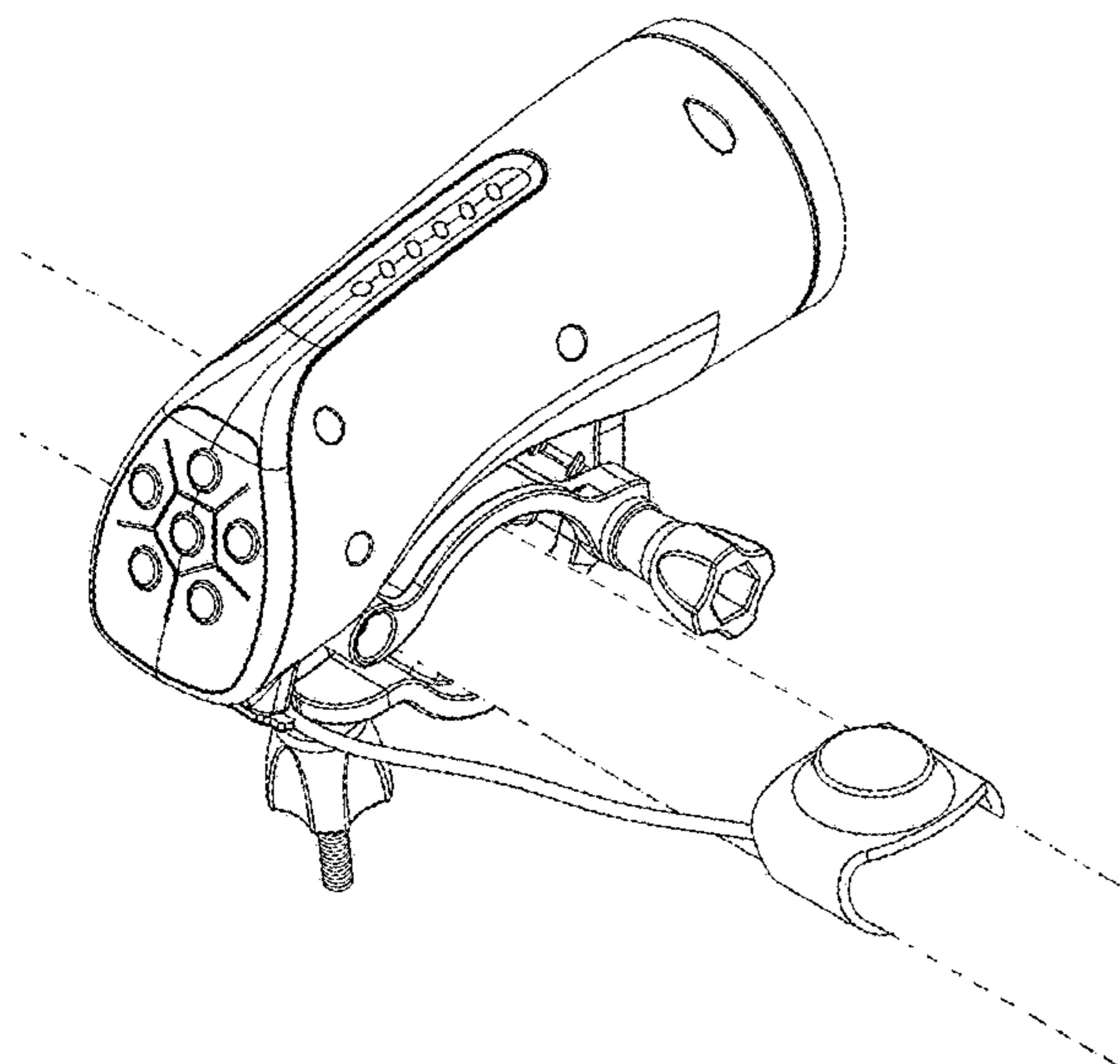
FIG. 7 is a right-side view of FIG. 1.

The broken lines shown depict unclaimed environment and form no part of the claimed design.

1 Claim, 7 Drawing Sheets

(56) **References Cited**
U.S. PATENT DOCUMENTS

D99,177	S	*	4/1936	Armstrong	D10/120
D316,055	S	*	4/1991	Rixen	D10/118
D322,585	S	*	12/1991	Moran	D10/120
D331,719	S	*	12/1992	Ackerman	D10/116.1
D348,409	S	*	7/1994	Nystrand	D10/104.1
D355,628	S	*	2/1995	Parks	D12/114
D361,536	S	*	8/1995	Pagani	D10/120
D383,408	S	*	9/1997	Collins	D10/120
D488,736	S	*	4/2004	Wiggerman	G08B 3/06 D10/120
D548,729	S	*	8/2007	Miller	D14/229
D552,516	S	*	10/2007	Files	G08B 3/06 D12/114



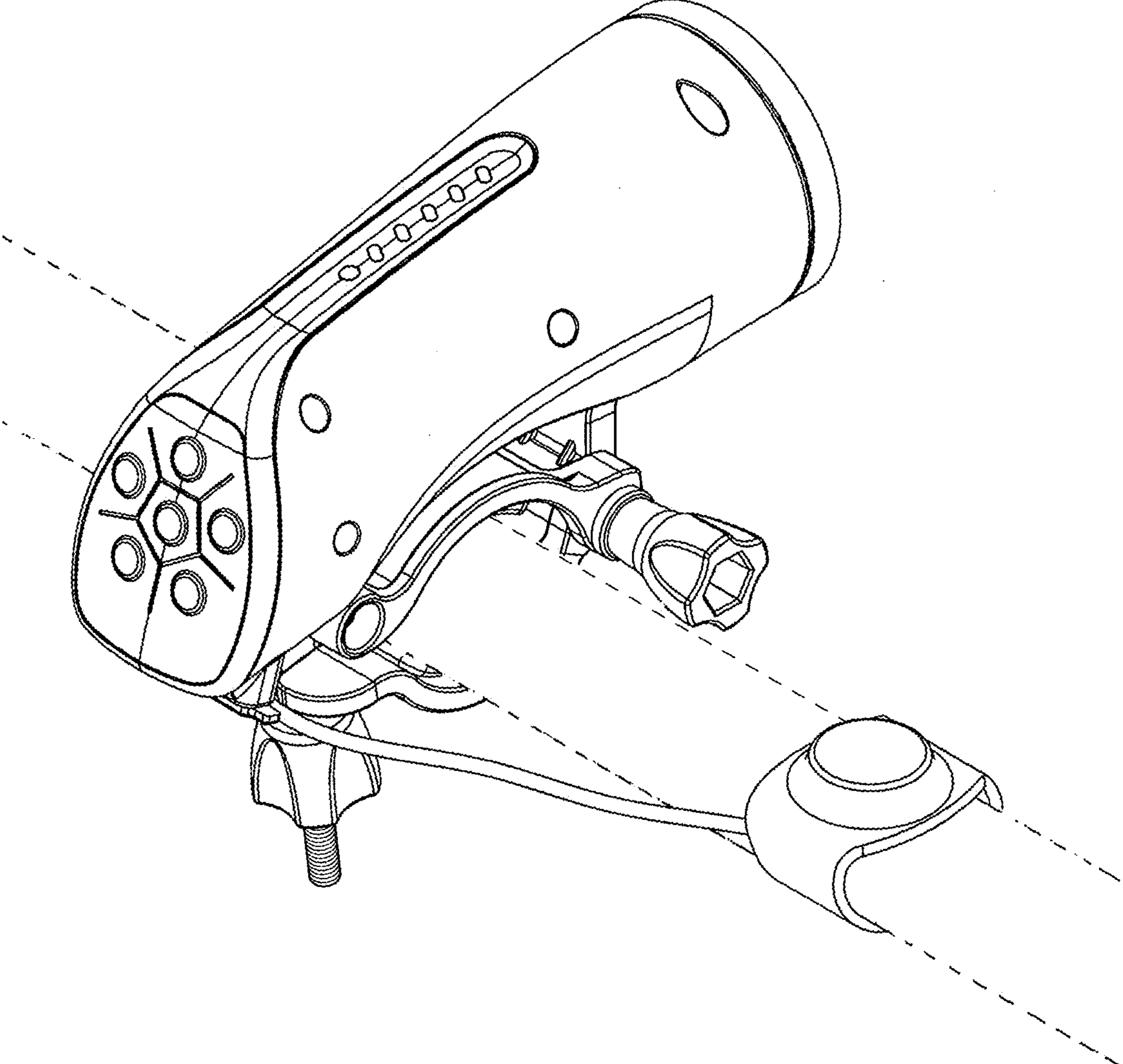


FIG. 1

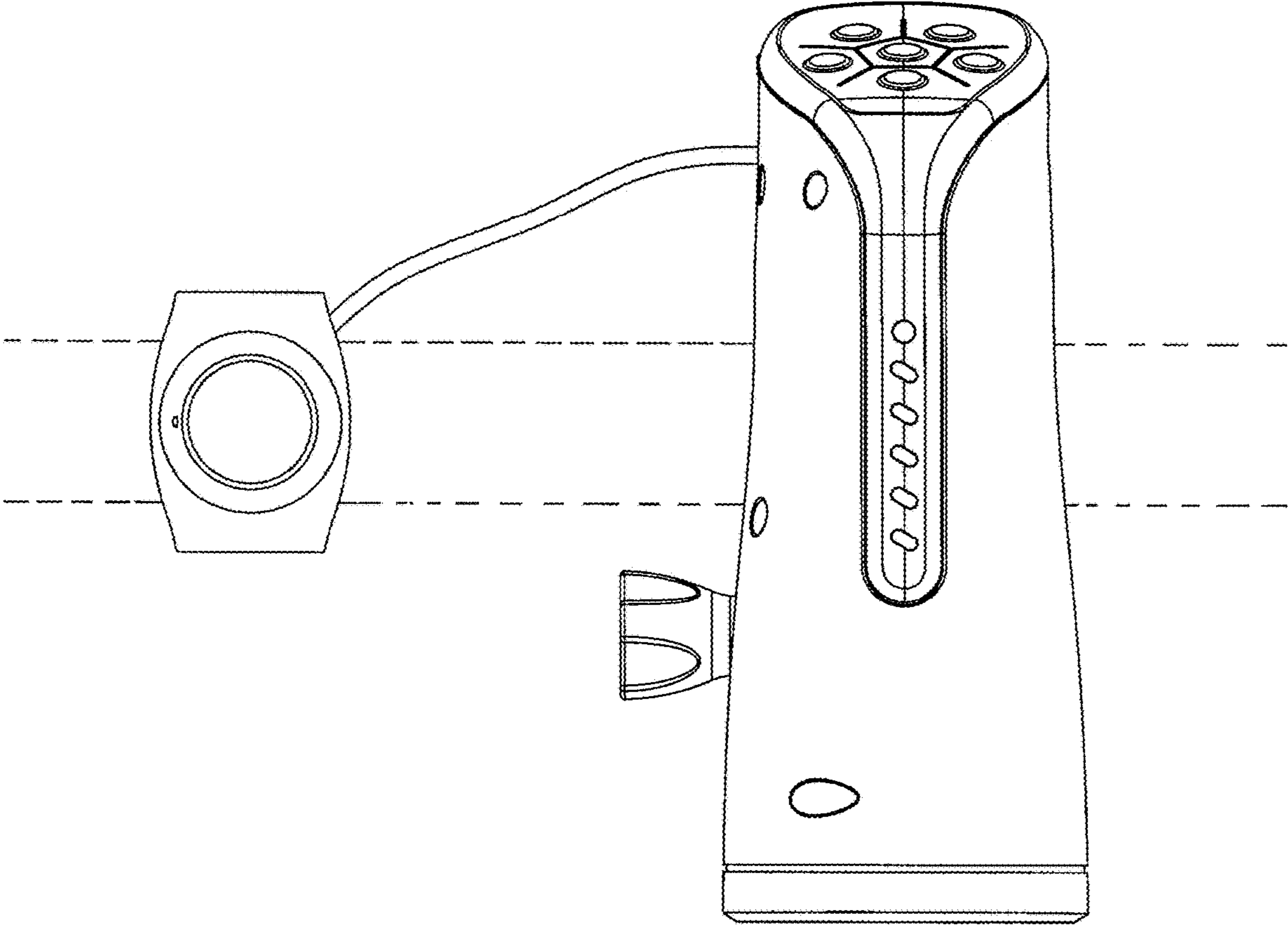


FIG. 2

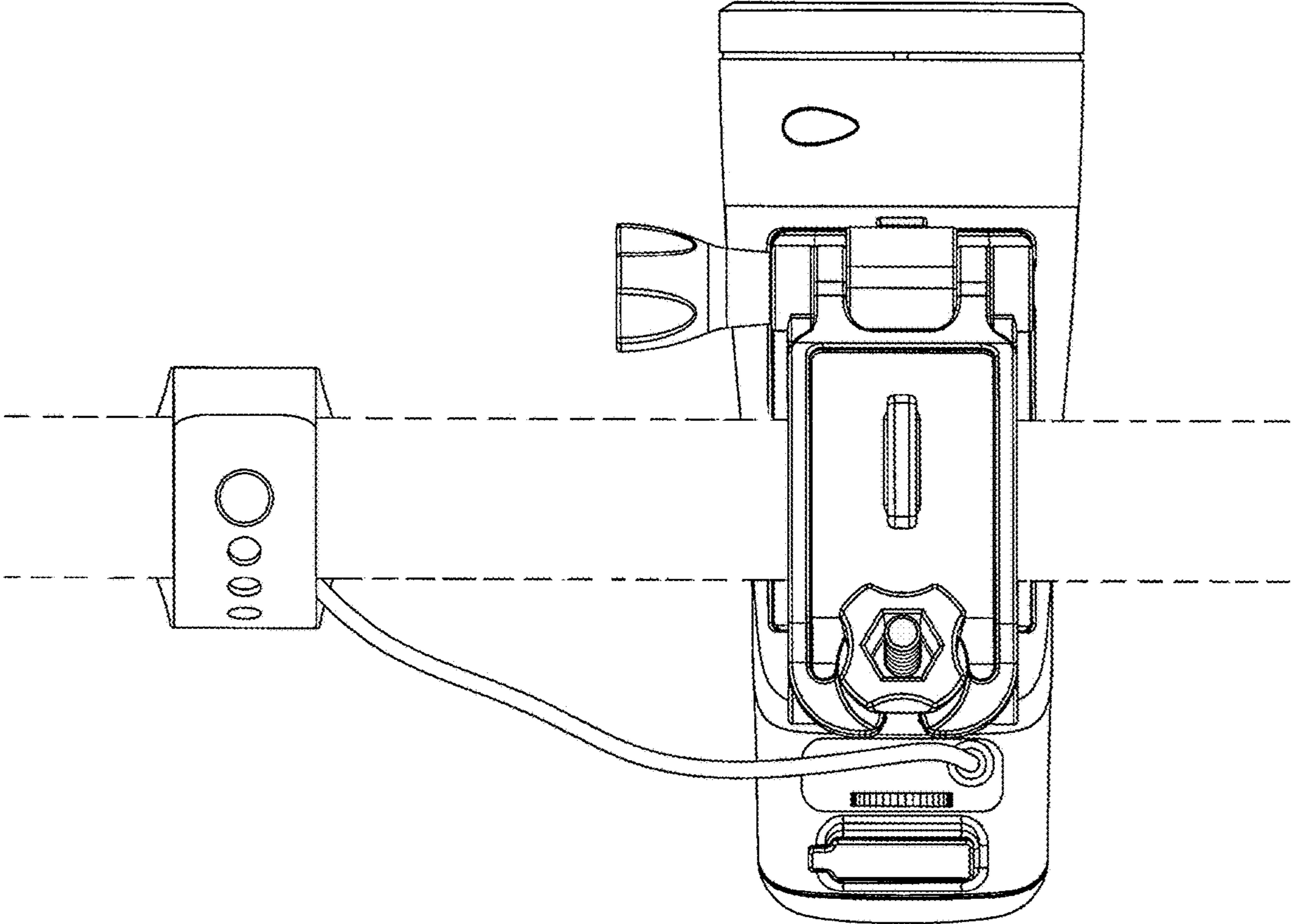


FIG. 3

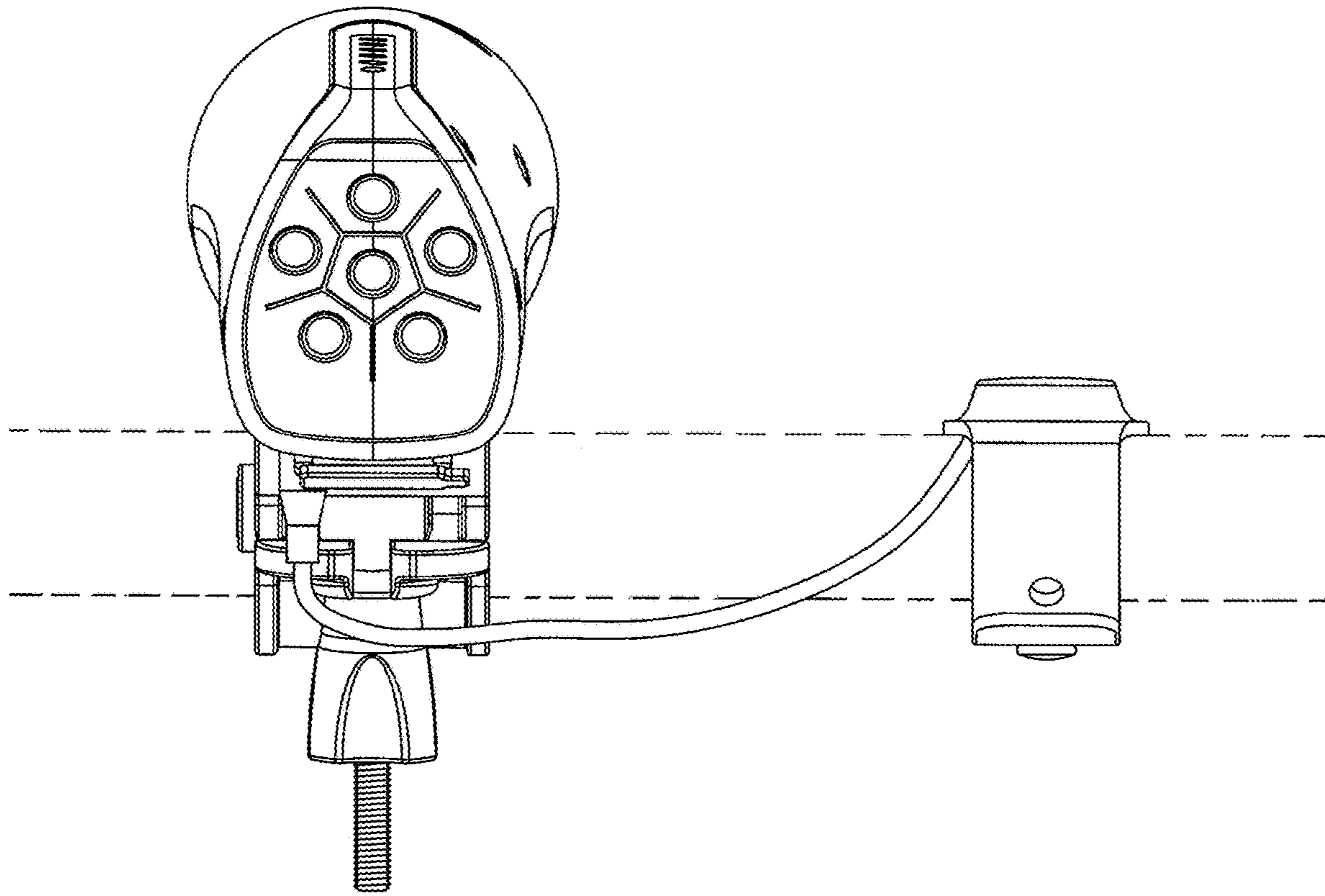


FIG. 4

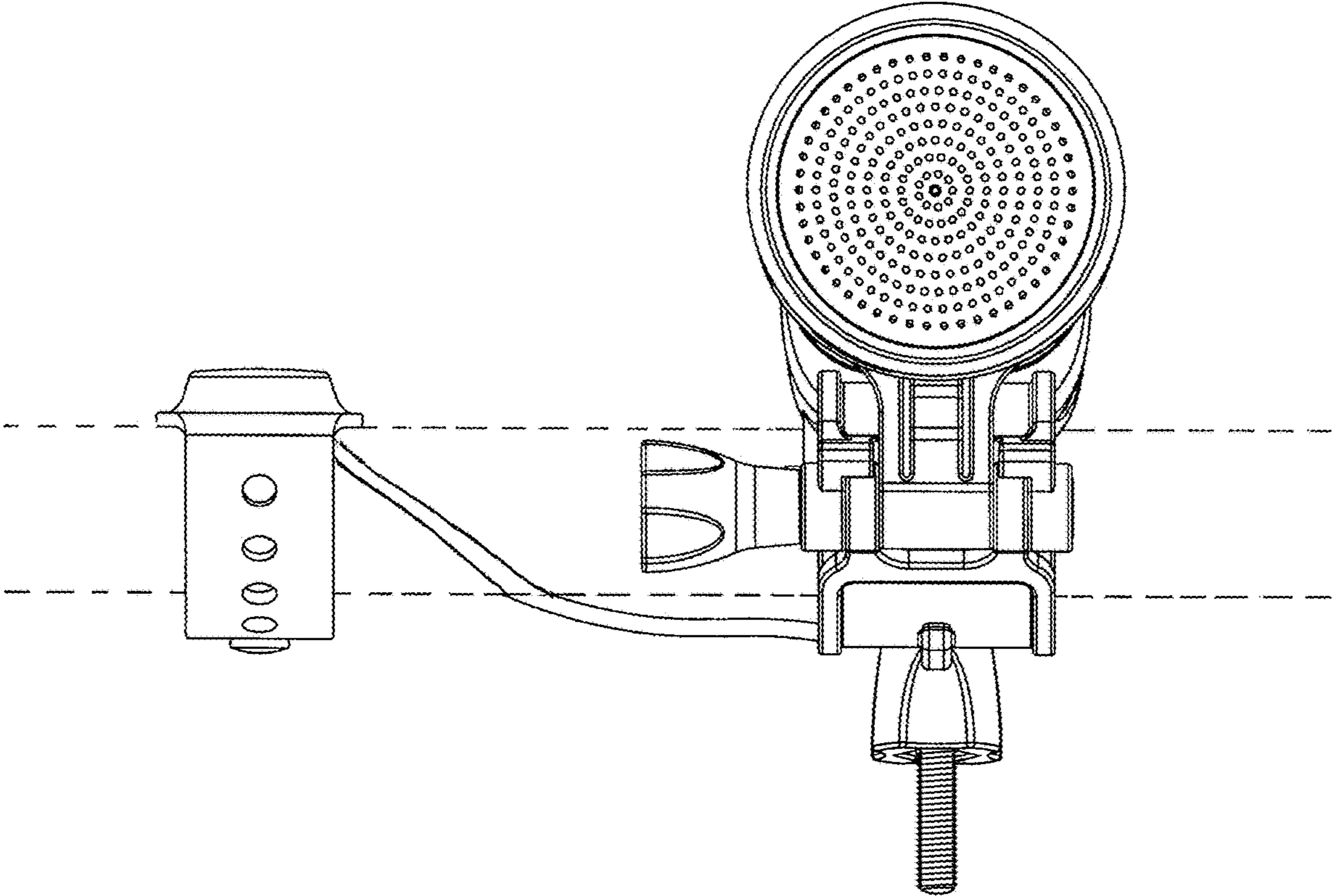


FIG. 5

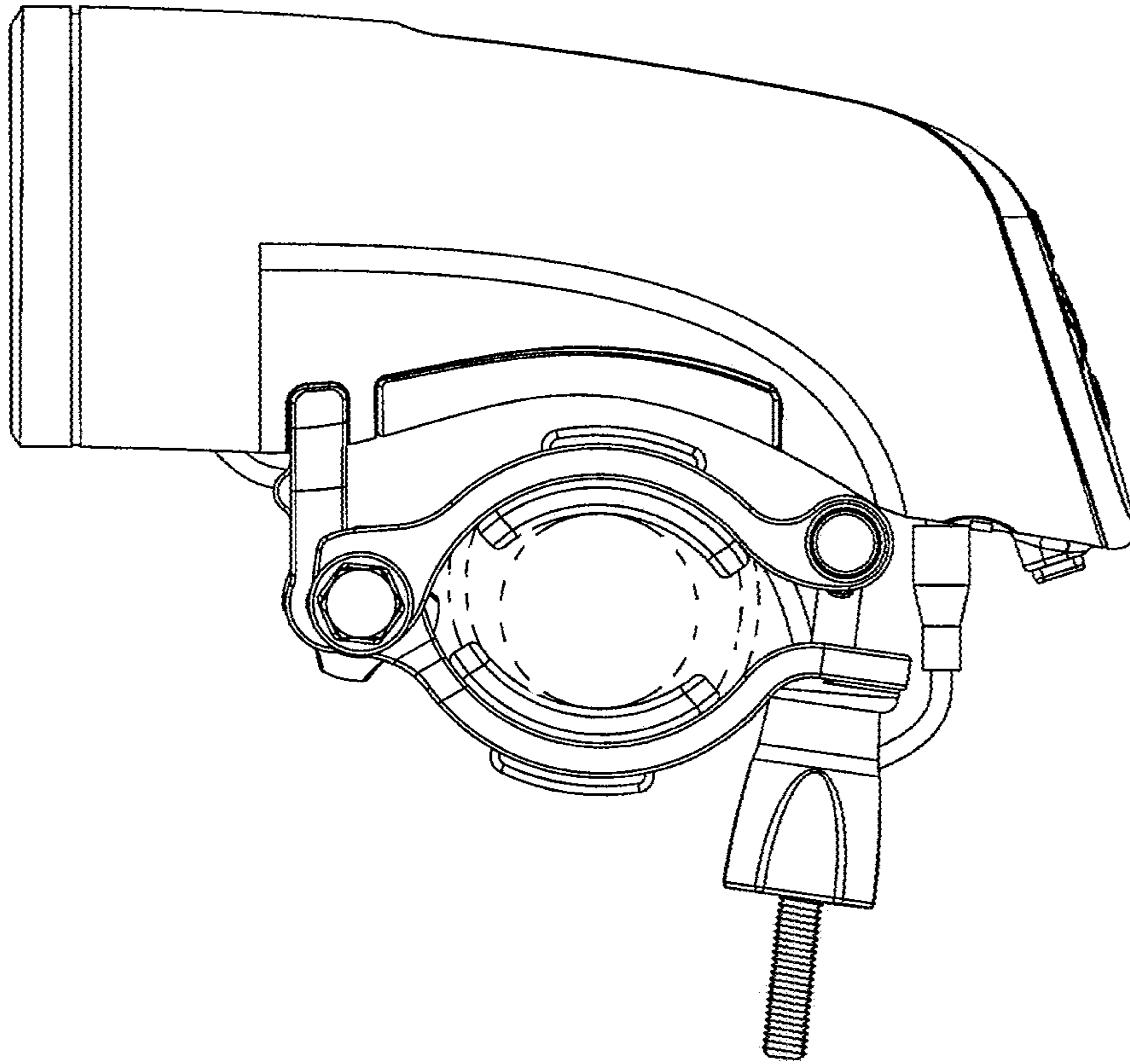


FIG. 6

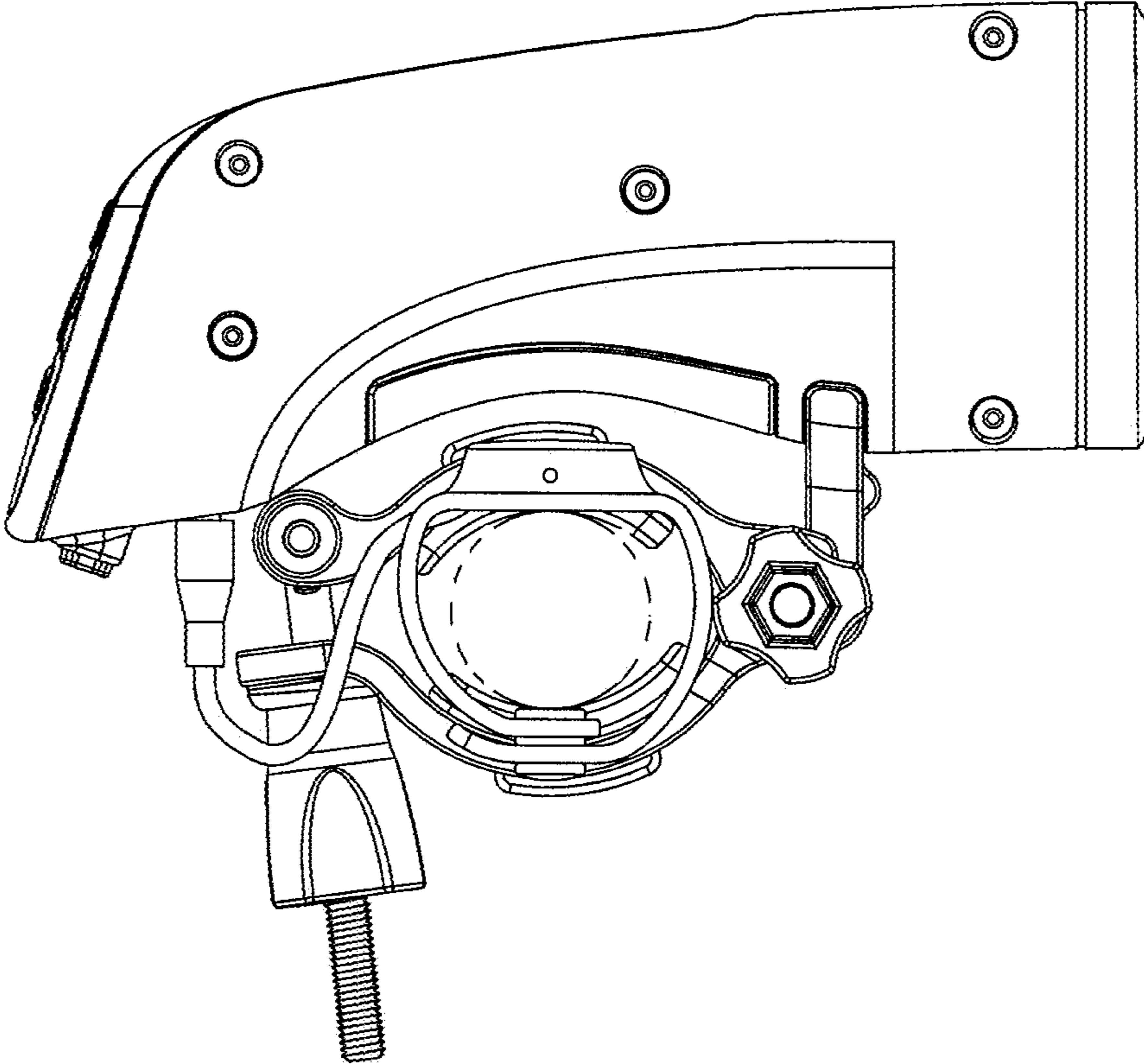


FIG. 7