



US00D968252S

(12) **United States Design Patent** (10) **Patent No.:** **US D968,252 S**
Wang et al. (45) **Date of Patent:** **** Nov. 1, 2022**

(54) **ELECTRIC DOORBELL**
(71) Applicant: **SHANGHAI IMILAB TECHNOLOGY CO., LTD.**, Shanghai (CN)
(72) Inventors: **Yajun Wang**, Shanghai (CN); **Maofeng Kao**, Shanghai (CN); **Kaining Li**, Shanghai (CN)
(73) Assignee: **SHANGHAI IMILAB TECHNOLOGY CO., LTD.**, Shanghai (CN)

D886,177 S * 6/2020 Ramones D16/218
D906,151 S * 12/2020 Jacob D10/118.2
D906,399 S * 12/2020 Wang D16/218
D921,510 S * 6/2021 Zeng D10/118.2
D924,712 S * 7/2021 Tseng D10/118.2
D935,507 S * 11/2021 Li D16/203
D947,271 S * 3/2022 Chen D16/218
D950,623 S * 5/2022 Li D16/202
2011/0124383 A1* 5/2011 Garra H04M 1/724
340/815.4
2016/0219254 A1* 7/2016 Hu H04N 7/186
2019/0149775 A1* 5/2019 Alamgir G08B 13/1966
348/143
2021/0335122 A1* 10/2021 Mahmoud G16H 40/20

(**) Term: **15 Years**

(21) Appl. No.: **29/770,927**

(22) Filed: **Feb. 17, 2021**

(51) **LOC (13) Cl.** **10-05**

(52) **U.S. Cl.**
USPC **D10/118.2**

(58) **Field of Classification Search**
USPC D10/106.6, 106.7, 106.8, 116.1, 118.2,
D10/121-124, 126; D13/171, 174
CPC ... G08B 3/00; G08B 3/10; G08B 7/00; G08B
7/06; G08B 13/1436; G08B 13/1463;
G08B 13/1481
See application file for complete search history.

FOREIGN PATENT DOCUMENTS

CN 305585894 * 2/2020
CN 305630527 * 2/2020
CN 307065052 * 1/2022
GB 6125115 * 3/2021
JP D1708992 * 3/2022
KR 3011470820003 * 1/2022

* cited by examiner

Primary Examiner — Joseph Kukella
Assistant Examiner — Heather Ann Laaveg Wencil
(74) *Attorney, Agent, or Firm* — Fideli Law PLLC

(57) **CLAIM**

The ornamental design for an electric doorbell, as shown and described.

(56) **References Cited**

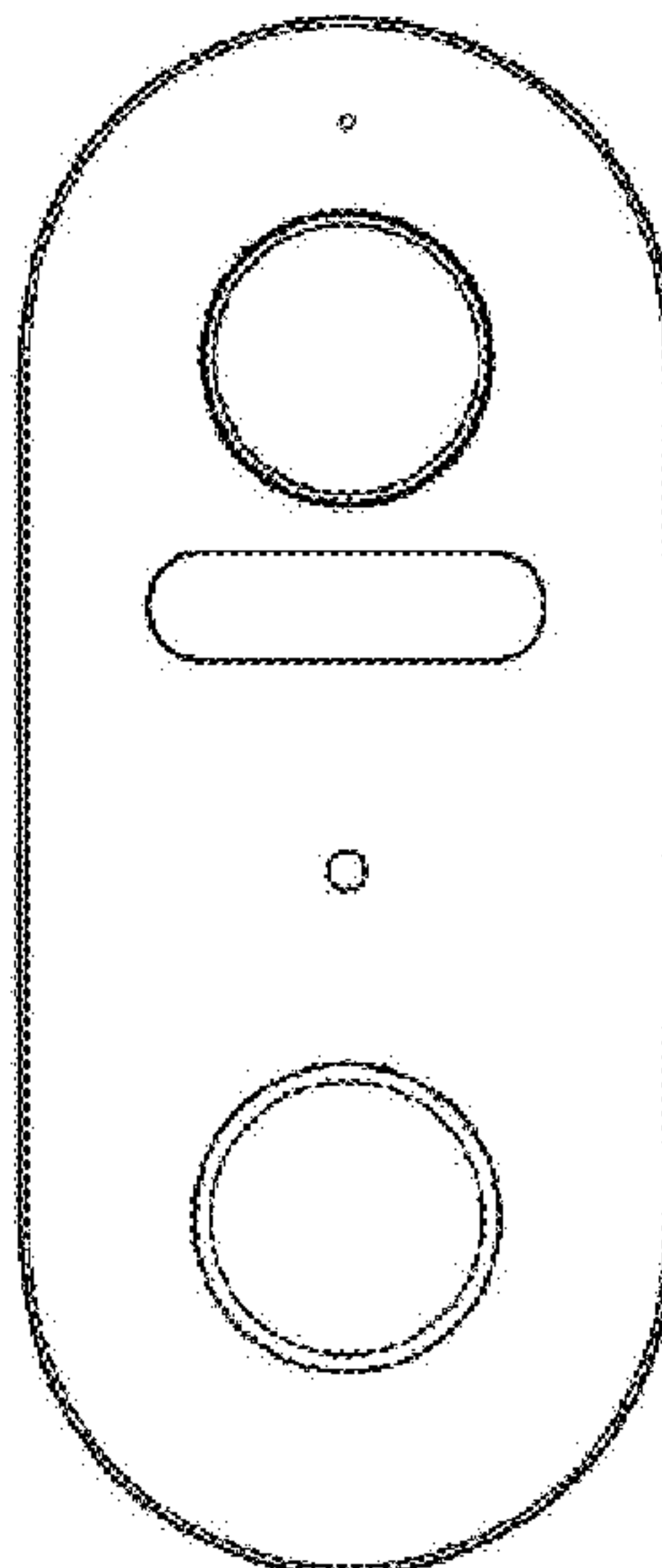
U.S. PATENT DOCUMENTS

D272,821 S * 2/1984 Perethian D13/167
D527,667 S * 9/2006 Kim D10/116.1
D667,382 S * 9/2012 Cosentino D13/168
D764,462 S * 8/2016 Romanoff D14/453
D848,891 S * 5/2019 Paredes D10/118.2
D853,265 S * 7/2019 Grearson D10/118.2
D871,483 S * 12/2019 Chang D16/208
D874,536 S * 2/2020 Park D10/104.1
D874,541 S * 2/2020 Kapuria D16/208

DESCRIPTION

FIG. 1 is a front view of the design;
FIG. 2 is a left view of the design;
FIG. 3 is a right view of the design;
FIG. 4 is a rear view of the design;
FIG. 5 is a top view of the design;
FIG. 6 is a bottom view of the design; and,
FIG. 7 is a perspective view of the design.

1 Claim, 7 Drawing Sheets



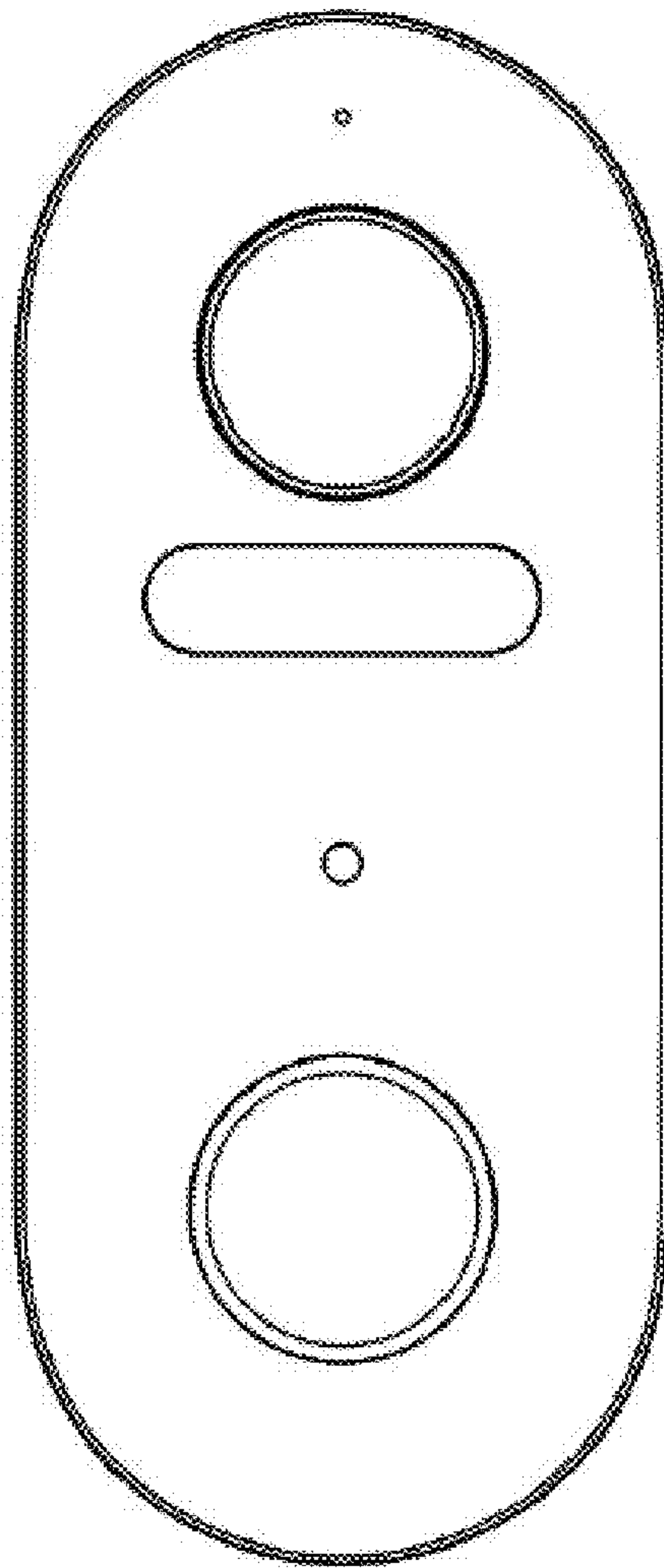


FIG. 1

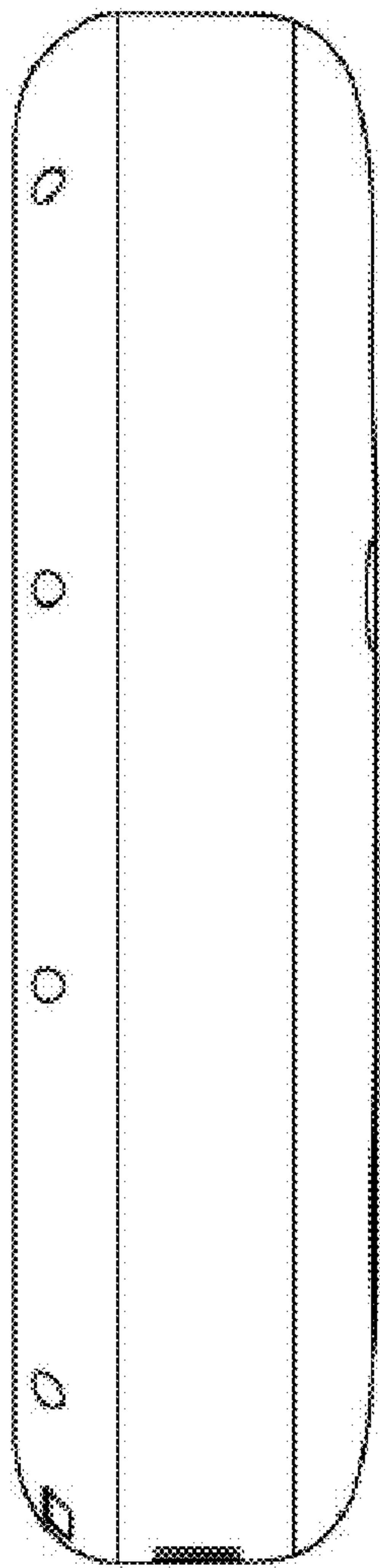


FIG. 2

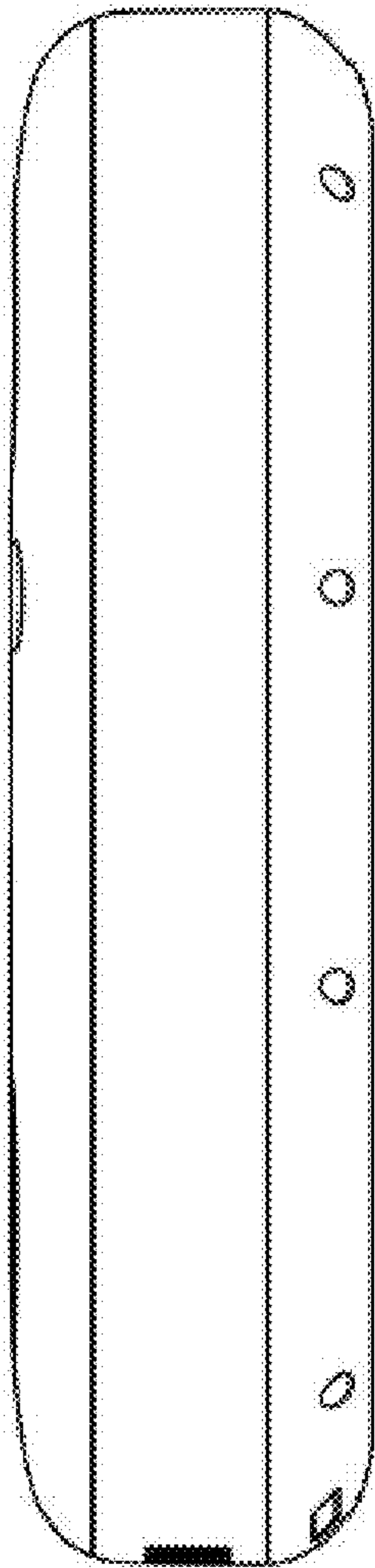


FIG. 3

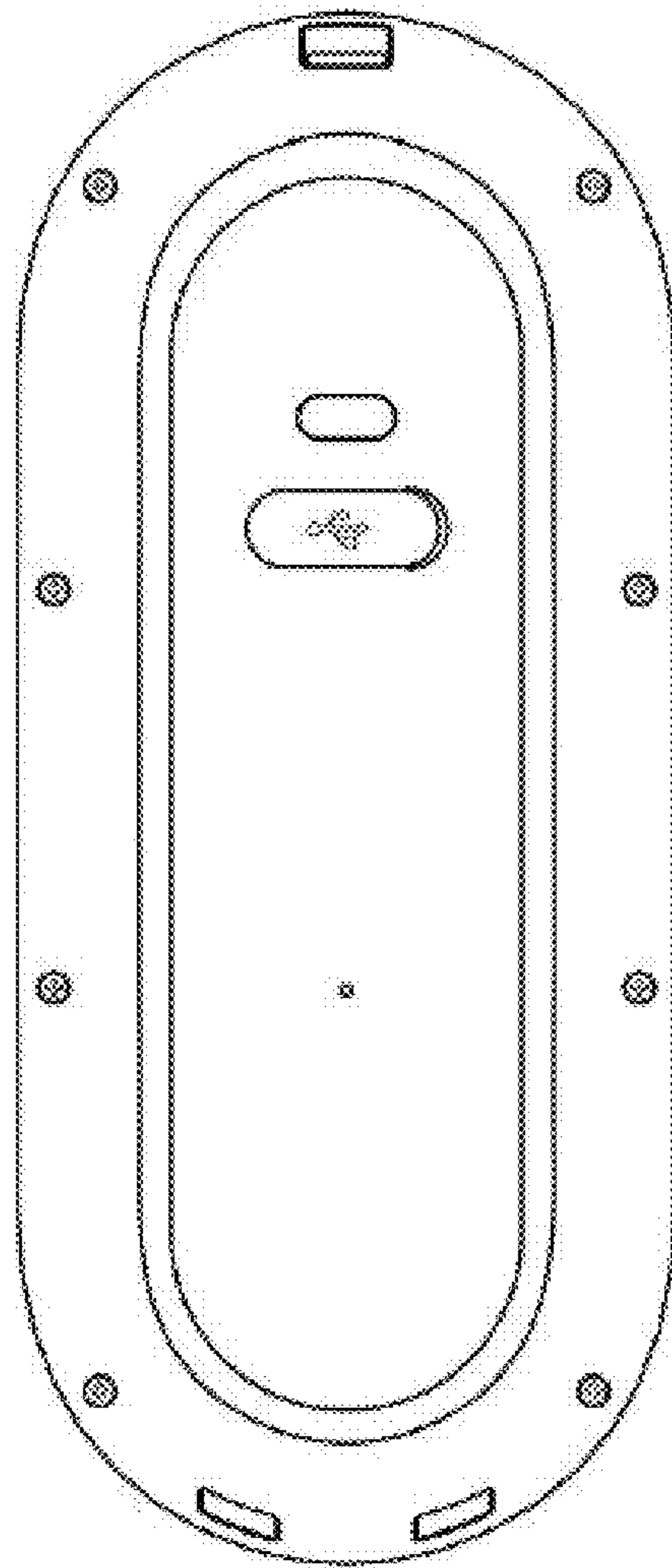


FIG. 4

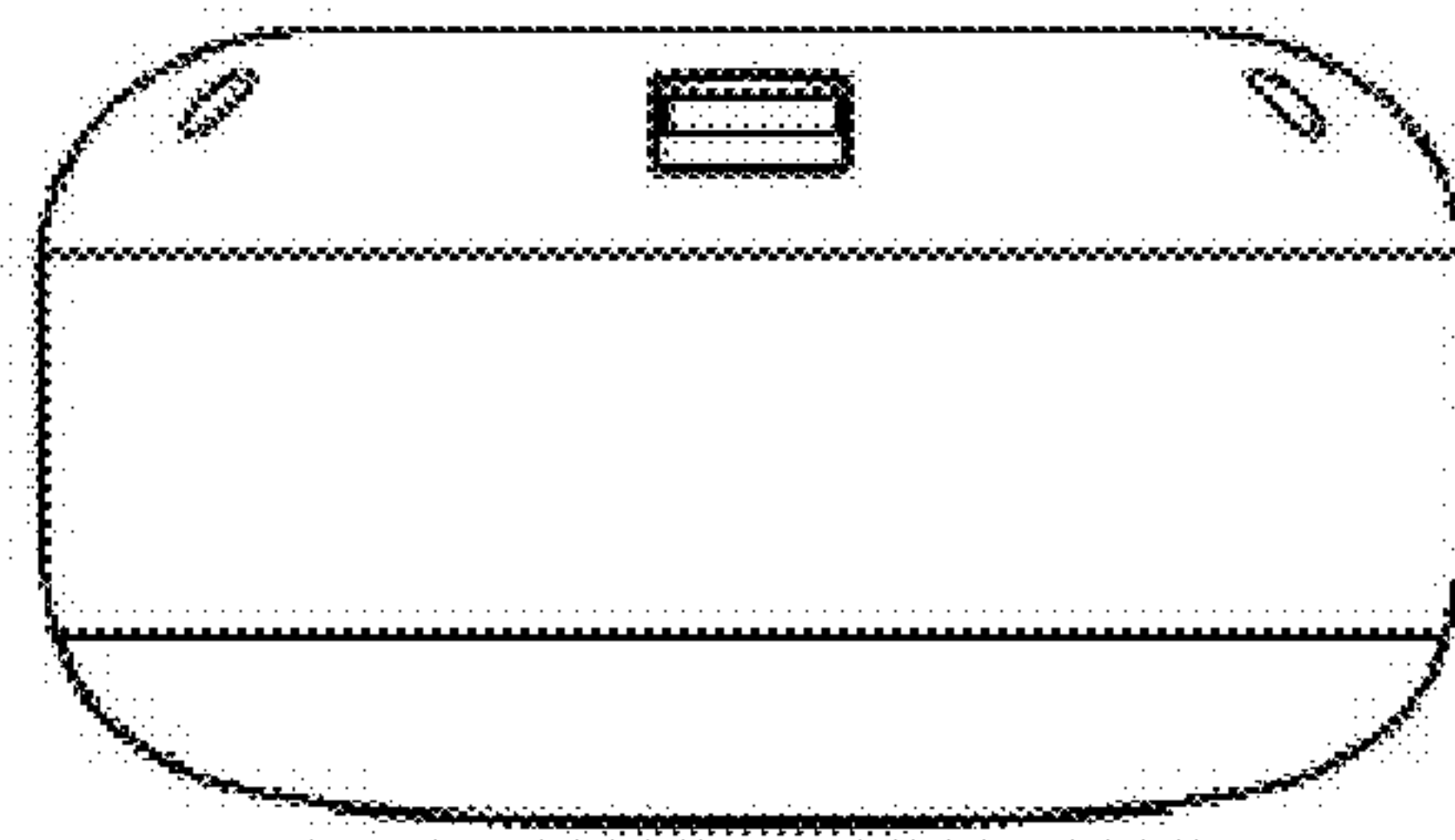


FIG. 5

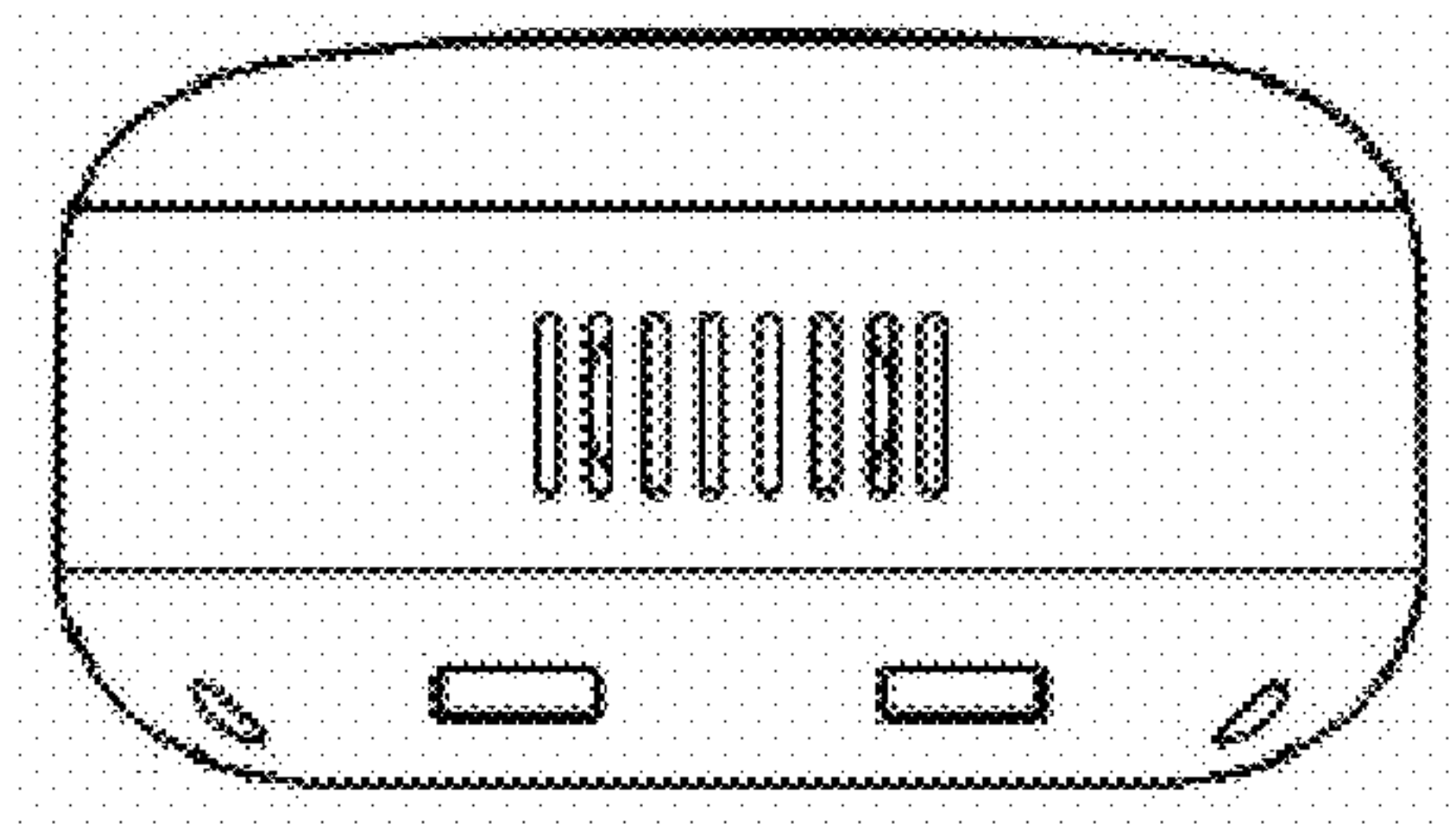


FIG. 6

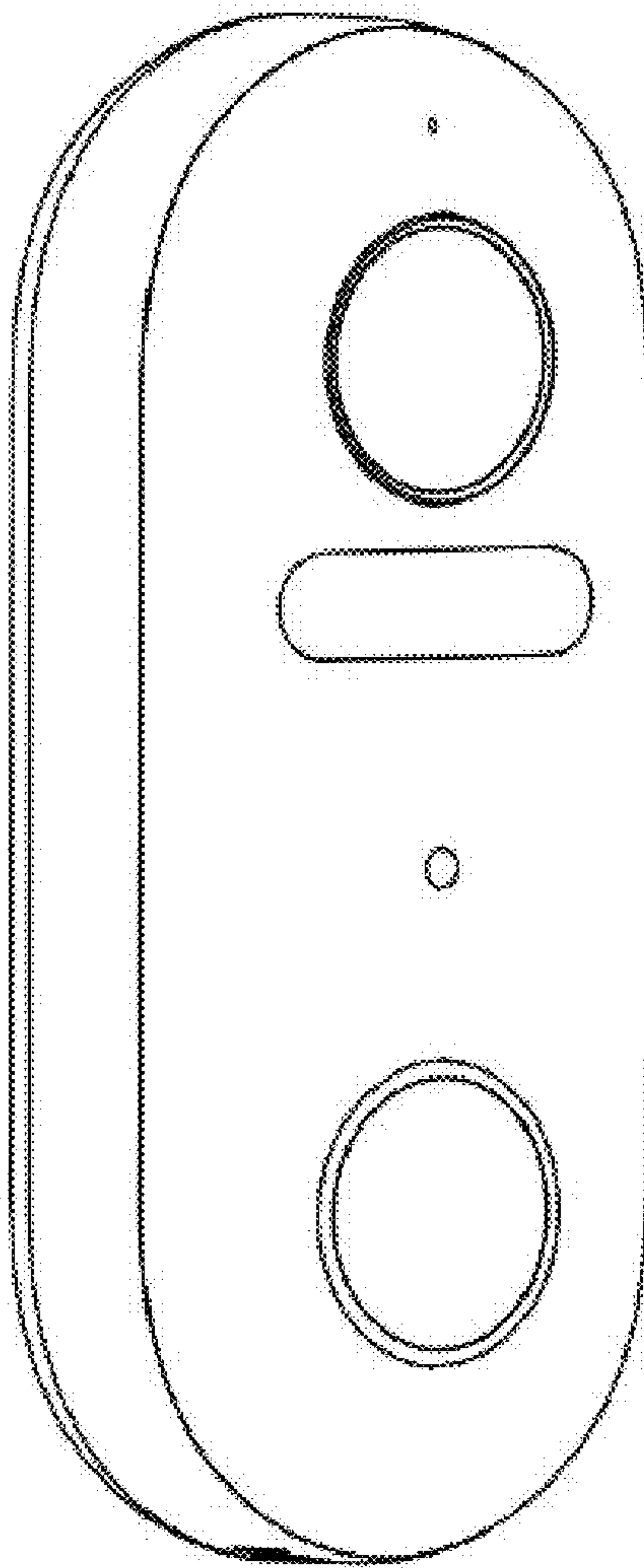


FIG. 7