



US00D968250S

(12) **United States Design Patent**  
**Sarpola**

(10) **Patent No.:** **US D968,250 S**  
(45) **Date of Patent:** **\*\* Nov. 1, 2022**

(54) **ACCESS CONTROL READER**  
(71) Applicant: **Videx, Inc.**, Corvallis, OR (US)  
(72) Inventor: **Matthew J. Sarpola**, Corvallis, OR (US)

D672,348 S 12/2012 Bousfield et al.  
D672,776 S 12/2012 Bousfield et al.  
D672,777 S 12/2012 Bousfield et al.  
D672,778 S 12/2012 Bousfield et al.  
D672,779 S 12/2012 Bousfield et al.

(Continued)

(73) Assignee: **Videx, Inc.**, Corvallis, OR (US)  
(\*\*) Term: **15 Years**

**FOREIGN PATENT DOCUMENTS**

CA 180882 \* 4/2018  
CN 303081313 \* 7/2014

(Continued)

(21) Appl. No.: **29/751,599**

(22) Filed: **Sep. 22, 2020**

**OTHER PUBLICATIONS**

(51) **LOC (13) Cl.** ..... **10-05**

(52) **U.S. Cl.**  
USPC ..... **D10/106.9**; D10/118

(58) **Field of Classification Search**

USPC ..... D10/104.1-106.95, 118-118.2, 70, 46,  
D10/81, 96-103; D14/240, 242, 300,  
D14/383-385; D8/330-332; D16/202  
CPC ..... G08B 25/10; G08B 29/22; G08B 29/046;  
G08B 6/00; G08B 5/36; G08B 13/2491;  
G08B 13/24; G08B 3/10; G08B 13/08;  
G08B 25/008; G08B 13/1472; G08B  
13/149; G01R 33/02; G01R 33/038;  
G01R 33/0047; G01R 33/0023; G01R  
33/0088; G01V 3/081; G10K 15/04;  
G10K 1/067; H04N 5/2252; H04N 7/186;  
H04N 5/2256; H05K 1/144; G06K  
7/10425; G06K 19/0723; G06K 7/10297;  
G06K 7/10366; H04W 4/80; G07C 9/29;  
G07C 9/28; G07C 9/00182; G07C  
2209/61; G07C 2209/63; G01S 13/765;  
G06F 21/70; G06F 21/86; G06F 1/24;  
H01Q 5/25

Arlo Store,Essential Video Doorbell Wire-Free, Date first available  
Jan. 13, 2021, [online]retrieved Jun. 8, 2022,available from [https://www.amazon.com/Arlo-Essential-Video-Doorbell-Wire-Free/dp/B08SY8YJCB/ref=sr\\_1\\_35?crd=3B5CHHVX5QOTO&keywords=doorbell&qid=1654715328&srefix=door+bell%2Caps%2C73&sr=8](https://www.amazon.com/Arlo-Essential-Video-Doorbell-Wire-Free/dp/B08SY8YJCB/ref=sr_1_35?crd=3B5CHHVX5QOTO&keywords=doorbell&qid=1654715328&srefix=door+bell%2Caps%2C73&sr=8) (Year: 2021).\*

(Continued)

*Primary Examiner* — Keli L Hill  
*Assistant Examiner* — Sara S Sahneh  
(74) *Attorney, Agent, or Firm* — Matthew D. Eskue

(57) **CLAIM**

The ornamental design for an access control reader, as shown and described.

**DESCRIPTION**

FIG. 1 is a front perspective view of an access control reader showing my new design;  
FIG. 2 is a front view thereof;  
FIG. 3 is a right side view thereof;  
FIG. 4 is a rear perspective view thereof;  
FIG. 5 is a top view thereof; and,  
FIG. 6 is a bottom view thereof.

The broken lines in the figures illustrate portions of the access control reader that form no part of the claimed design.

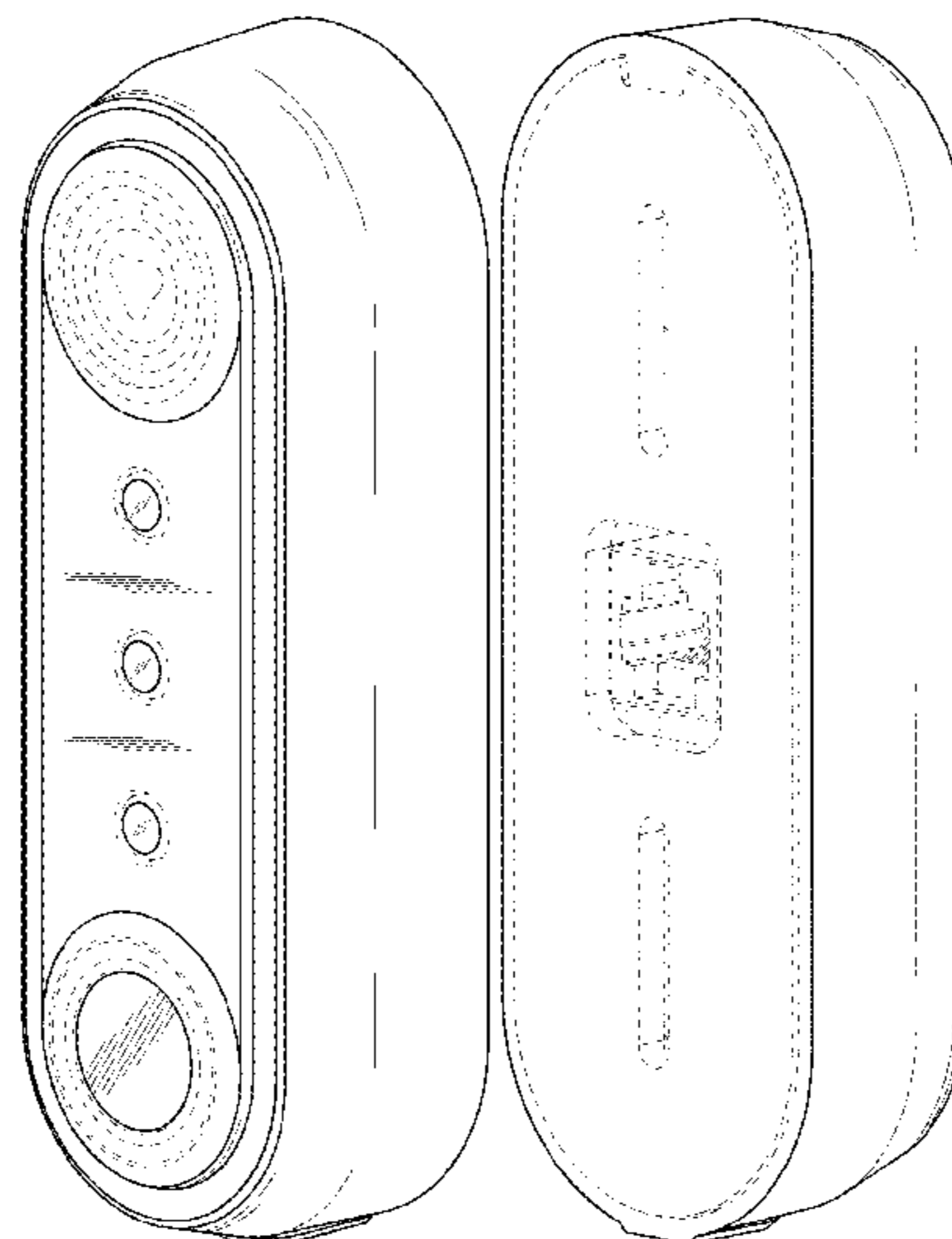
See application file for complete search history.

(56) **References Cited**

**U.S. PATENT DOCUMENTS**

D624,915 S 10/2010 Ferreira Sanchez  
D626,963 S 11/2010 Kim

**1 Claim, 2 Drawing Sheets**



(56)

References Cited

U.S. PATENT DOCUMENTS

D673,151 S 12/2012 Bousfield et al.  
 D673,152 S 12/2012 Bousfield et al.  
 D673,153 S 12/2012 Bousfield et al.  
 D705,751 S \* 5/2014 Wenger ..... D14/206  
 D716,304 S 10/2014 Orthey  
 D726,179 S 4/2015 Orthey  
 D736,207 S 8/2015 Bousfield et al.  
 D750,978 S 3/2016 van Slooten et al.  
 D776,113 S 1/2017 Bierach et al.  
 D784,334 S 4/2017 Tehranchi  
 D792,357 S 7/2017 Tehranchi  
 D800,201 S \* 10/2017 Song ..... D16/202  
 D812,054 S 3/2018 Bierach et al.  
 D839,874 S 2/2019 Biesart  
 D849,004 S 5/2019 Bierach et al.  
 D850,314 S \* 6/2019 Laurans ..... D10/118.2  
 D850,315 S \* 6/2019 Laurans ..... D10/118.2  
 D850,438 S 6/2019 Koenigsknecht et al.  
 D853,264 S \* 7/2019 Laurans ..... D10/118.2  
 D855,053 S 7/2019 Hickman  
 D855,484 S \* 8/2019 Plested ..... D10/104.1  
 D861,684 S 10/2019 Chen et al.  
 D867,916 S 11/2019 Tatic  
 D877,227 S \* 3/2020 Seflic ..... D16/202  
 D883,282 S 5/2020 Tatic  
 D883,834 S \* 5/2020 Jacob ..... D10/118.2  
 D894,774 S \* 9/2020 Yu ..... D10/118.2  
 D906,148 S \* 12/2020 Jacob ..... D10/118.2  
 D947,704 S \* 4/2022 Stefans ..... D10/118.2  
 D953,907 S \* 6/2022 McManigal ..... D10/118.2  
 D955,253 S \* 6/2022 McManigal ..... D10/118.2  
 D956,604 S \* 7/2022 Lian ..... D10/118.2  
 2018/0191930 A1 \* 7/2018 Jeong ..... H04N 5/2252  
 2022/0110228 A1 \* 4/2022 Raghupathy ..... H05K 7/20445

FOREIGN PATENT DOCUMENTS

CN 304991675 \* 4/2018  
 CN 304897993 \* 6/2018  
 EM 006096566-0001 \* 1/2019  
 WO D080407-005 \* 9/2012  
 WO 306793225 \* 12/2020

OTHER PUBLICATIONS

Vwinees Store, ideo Doorbell Camera, Date first available Feb. 8, 2021, [online]retrieved Jun. 8, 2022,available from <https://www.amazon.com/Doorbell-Security-Waterproof-Detection-Installation/>

dp/B08W57LVHS/ref=sr\_1\_93?crid=3B5CHHVX5QOTO &keywords=doorbell&qid=1654715359&sprefix=door%2Bbell% 2Caps%2C73& (Year: 2021).\*

HWMATE Metal Touch RFID, Date first available May 7, 2018, [online]retrieved Jun. 8, 2022,available from

Salto Systems, S.L., “Salto Hospitality XS4 Product Datasheet”, Model Series: XS4 Original—Ansi, Saltosystems.com, © 2017, retrieved from the Internet: <URL:[https://hospitality.saltosystems.com/downloads/products/SALTO\\_Hospitality\\_Datasheet\\_XS4\\_Original\\_Ansi\\_02\\_17-20170208093705.pdf](https://hospitality.saltosystems.com/downloads/products/SALTO_Hospitality_Datasheet_XS4_Original_Ansi_02_17-20170208093705.pdf)>.

Zhejiang Dahua Technology Co., Ltd., “Slim Water-proof RFID Reader Product Datasheet”, Model: ASR1201D ASR1201D-D, Dahuasecurity.com, © 2016, retrieved from the Internet: <URL: <https://www.dahuasecurity.com/asset/upload/product/20180727/ASR1201D-ASR1201D-D.pdf>>.

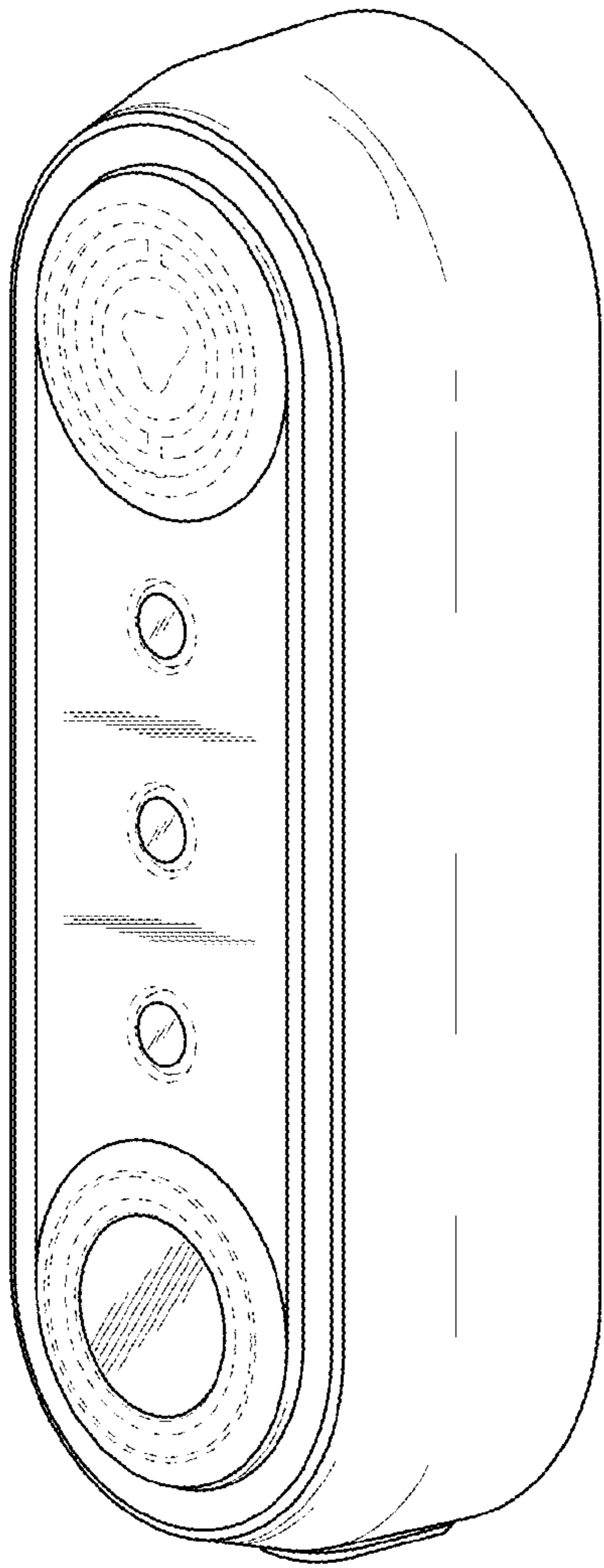
Allegion PLC, “Multi-technology Readers Product Datasheet”, 005354, Rev. 12/18, us.allegion.com, © 2018, retrieved from the Internet: <URL:[https://us.allegion.com/content/dam/allegion-us-2/web-documents-2/DataSheet/Schlage\\_Multi\\_Technology\\_Readers\\_Data\\_Sheet\\_105354.pdf](https://us.allegion.com/content/dam/allegion-us-2/web-documents-2/DataSheet/Schlage_Multi_Technology_Readers_Data_Sheet_105354.pdf)>, [available on the Internet at least as early as Jul. 9, 2019].

Cyberlock, Inc., “Flex System RFID Reader Module Product Datasheet”, FS-RH02, Cyberlock.com, 2018, retrieved from the Internet: <URL:<https://cyberlock.com/wp-content/uploads/2018/01/FS-RH02.pdf>>.

Cyberlock, Inc., “Flashbox Product Datasheet”, GCO 4797, Cyberlock.com, Apr. 2019, retrieved from the Internet: <URL:<https://cyberlock.com/wp-content/uploads/2019/04/FL-BOX-01.pdf>>.

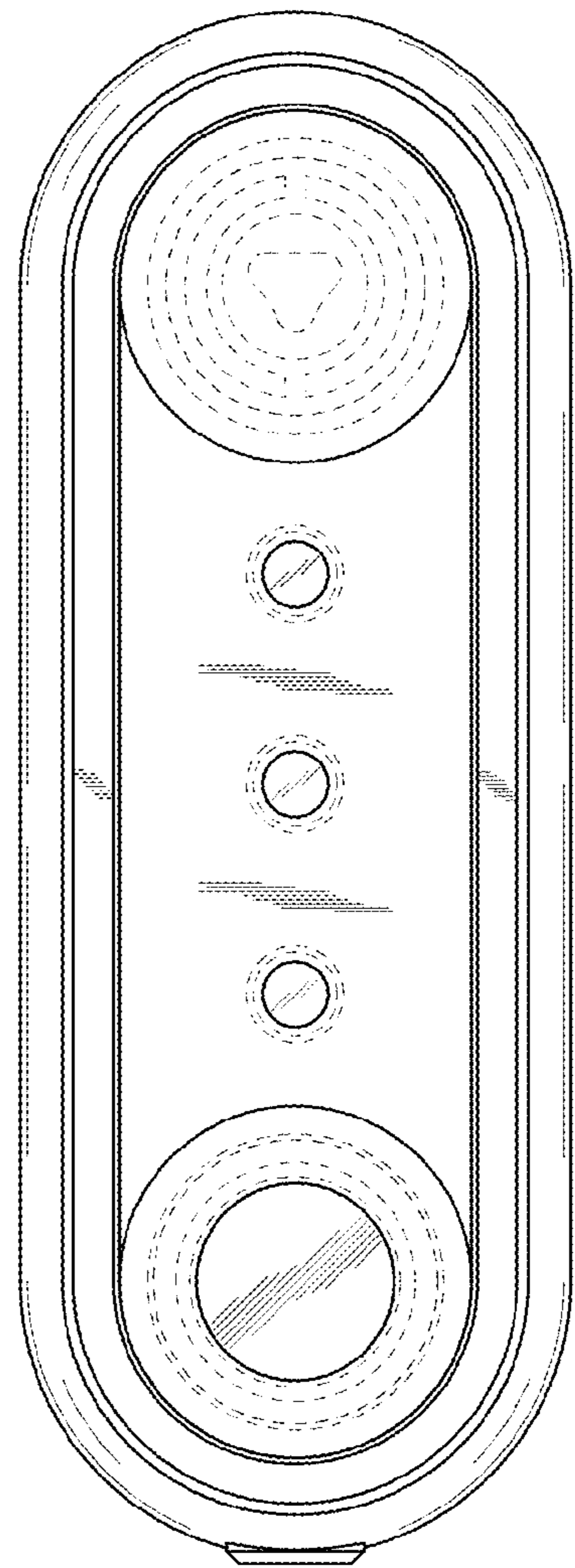
HID Global Corporation, “HID Proximity 125 kHz Cards and Readers Product Brochure”, MKT\_BRO\_PROX\_EN, Rev. 07, 2012, Hidglobal.com, © 2010, retrieved from the Internet: <URL:[https://www.hidglobal.com/sites/default/files/resource\\_files/hid-prox-br-en.pdf](https://www.hidglobal.com/sites/default/files/resource_files/hid-prox-br-en.pdf)>, [available on the Internet at least as early as Apr. 1, 2016].

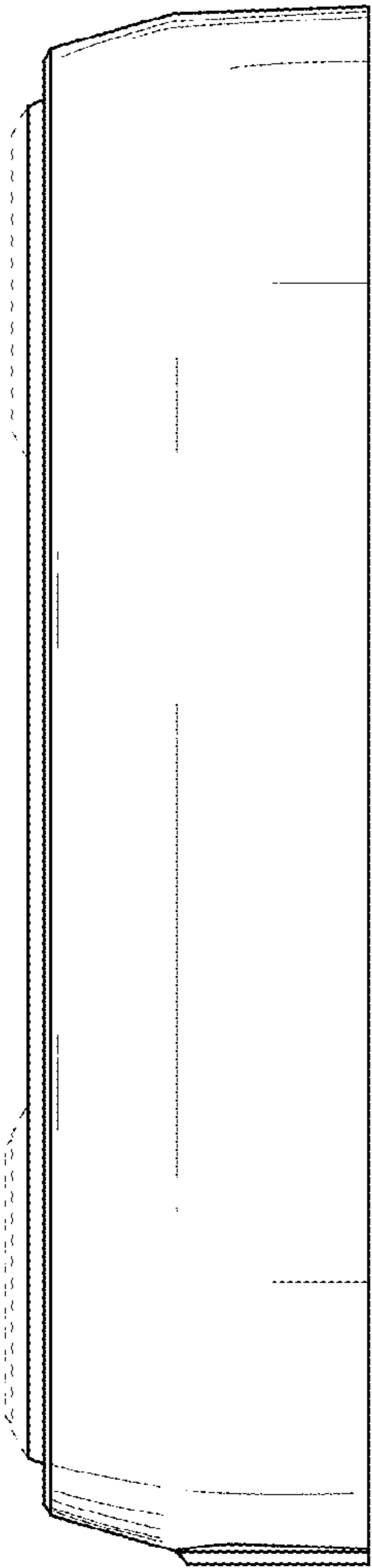
\* cited by examiner



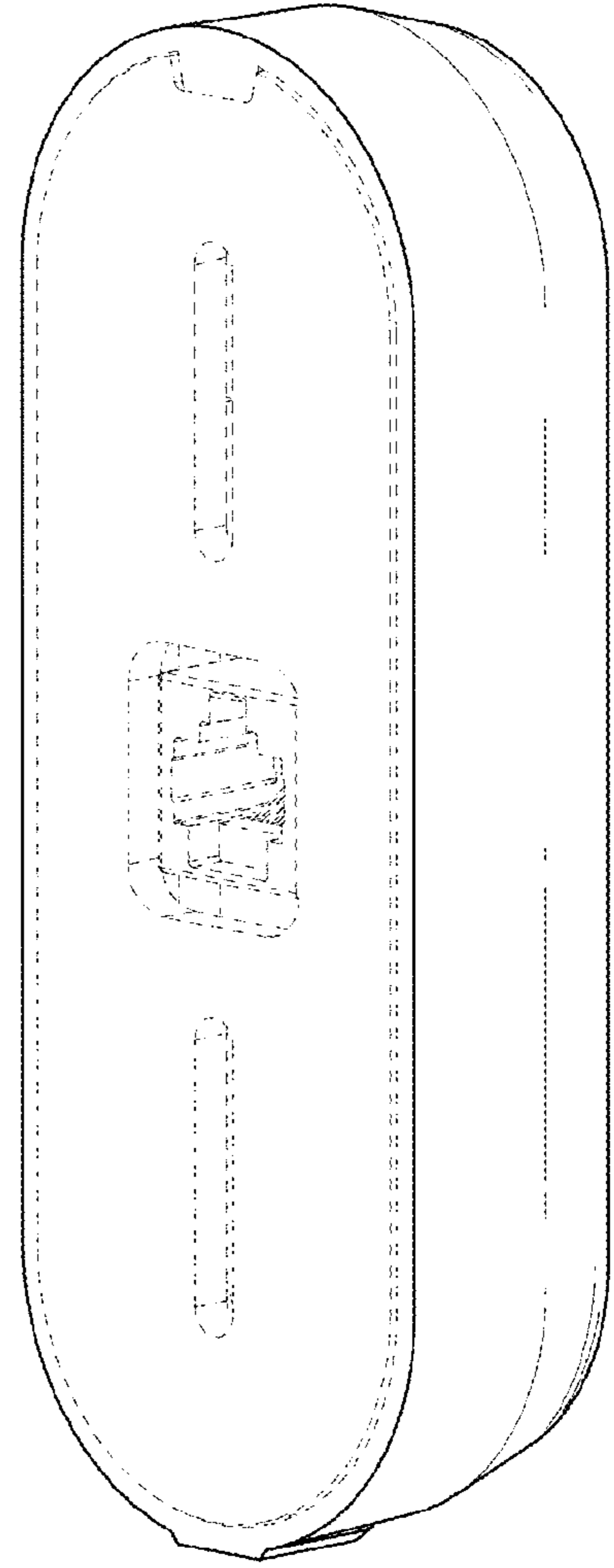
*Fig.1*

*Fig.2*

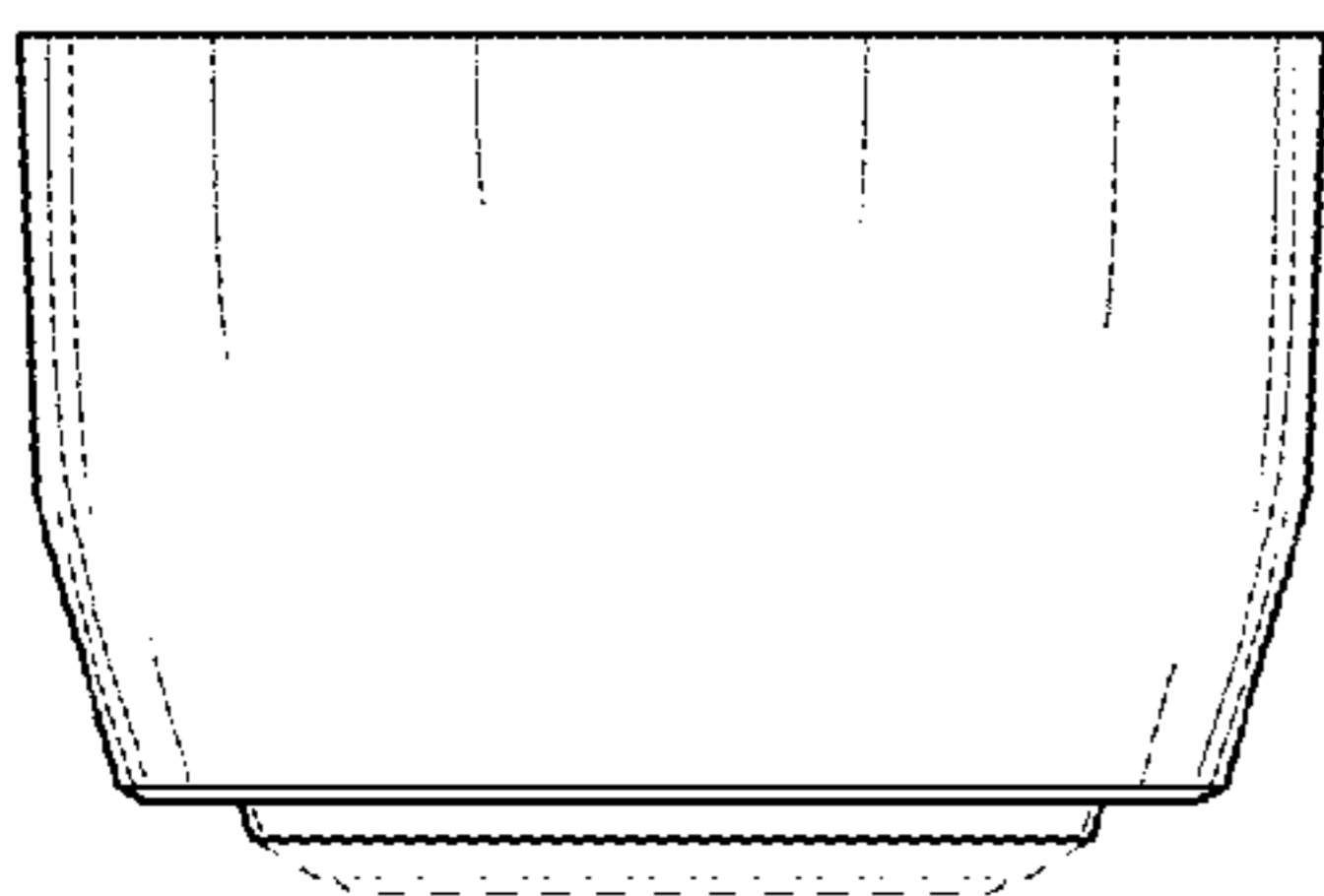




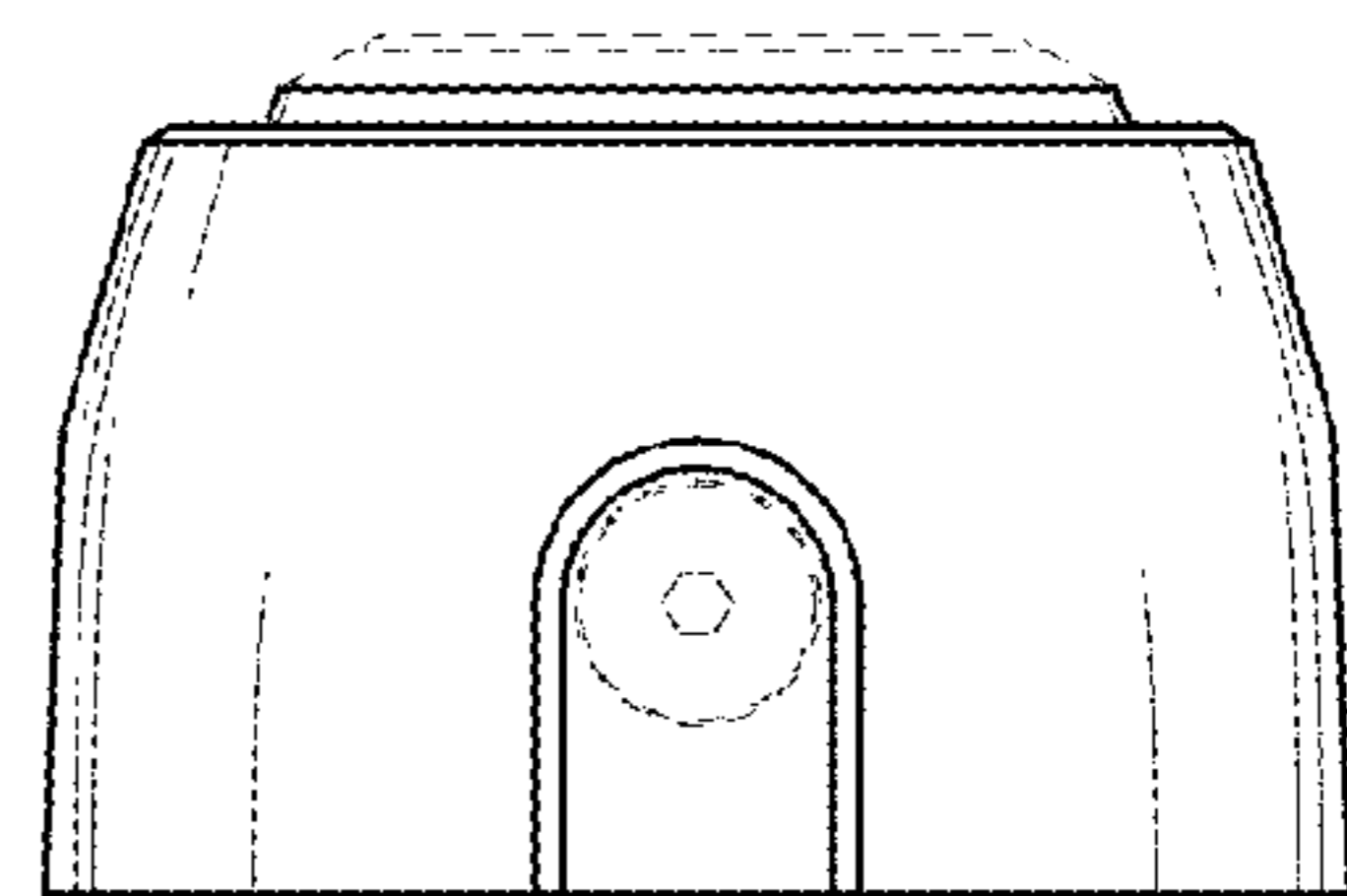
*Fig.3*



*Fig.4*



*Fig.5*



*Fig.6*